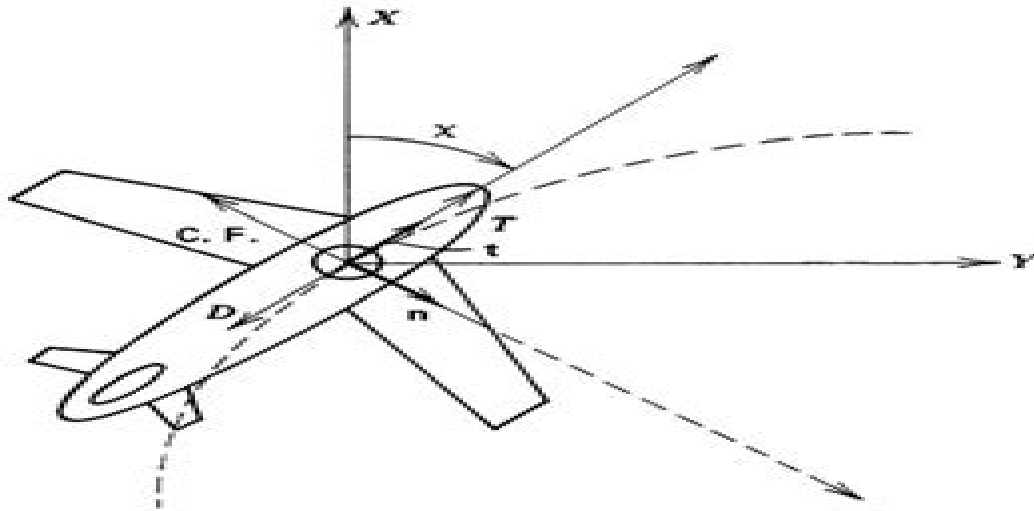


Introduction to Aircraft Performance, Selection, and Design



Francis J. Hale

Introduction To Aircraft Performance Selection And Design

Wilbert N. Hubin



Introduction To Aircraft Performance Selection And Design:

The Enigmatic Realm of **Introduction To Aircraft Performance Selection And Design**: Unleashing the Language is Inner Magic

In a fast-paced digital era where connections and knowledge intertwine, the enigmatic realm of language reveals its inherent magic. Its capacity to stir emotions, ignite contemplation, and catalyze profound transformations is nothing lacking extraordinary. Within the captivating pages of **Introduction To Aircraft Performance Selection And Design** a literary masterpiece penned by a renowned author, readers embark on a transformative journey, unlocking the secrets and untapped potential embedded within each word. In this evaluation, we shall explore the book's core themes, assess its distinct writing style, and delve into its lasting impact on the hearts and minds of those that partake in its reading experience.

https://py.bijouxmedusa.com/About/browse/fetch.php/business_48_35_online_privacy_ideas_america_48_587_online_privacy_ideas.pdf

Table of Contents Introduction To Aircraft Performance Selection And Design

1. Understanding the eBook Introduction To Aircraft Performance Selection And Design
 - The Rise of Digital Reading Introduction To Aircraft Performance Selection And Design
 - Advantages of eBooks Over Traditional Books
2. Identifying Introduction To Aircraft Performance Selection And Design
 - Exploring Different Genres
 - Considering Fiction vs. Non-Fiction
 - Determining Your Reading Goals
3. Choosing the Right eBook Platform
 - Popular eBook Platforms
 - Features to Look for in an Introduction To Aircraft Performance Selection And Design
 - User-Friendly Interface
4. Exploring eBook Recommendations from Introduction To Aircraft Performance Selection And Design
 - Personalized Recommendations

Introduction To Aircraft Performance Selection And Design

- Introduction To Aircraft Performance Selection And Design User Reviews and Ratings
- Introduction To Aircraft Performance Selection And Design and Bestseller Lists
- 5. Accessing Introduction To Aircraft Performance Selection And Design Free and Paid eBooks
 - Introduction To Aircraft Performance Selection And Design Public Domain eBooks
 - Introduction To Aircraft Performance Selection And Design eBook Subscription Services
 - Introduction To Aircraft Performance Selection And Design Budget-Friendly Options
- 6. Navigating Introduction To Aircraft Performance Selection And Design eBook Formats
 - ePub, PDF, MOBI, and More
 - Introduction To Aircraft Performance Selection And Design Compatibility with Devices
 - Introduction To Aircraft Performance Selection And Design Enhanced eBook Features
- 7. Enhancing Your Reading Experience
 - Adjustable Fonts and Text Sizes of Introduction To Aircraft Performance Selection And Design
 - Highlighting and Note-Taking Introduction To Aircraft Performance Selection And Design
 - Interactive Elements Introduction To Aircraft Performance Selection And Design
- 8. Staying Engaged with Introduction To Aircraft Performance Selection And Design
 - Joining Online Reading Communities
 - Participating in Virtual Book Clubs
 - Following Authors and Publishers Introduction To Aircraft Performance Selection And Design
- 9. Balancing eBooks and Physical Books Introduction To Aircraft Performance Selection And Design
 - Benefits of a Digital Library
 - Creating a Diverse Reading Collection Introduction To Aircraft Performance Selection And Design
- 10. Overcoming Reading Challenges
 - Dealing with Digital Eye Strain
 - Minimizing Distractions
 - Managing Screen Time
- 11. Cultivating a Reading Routine Introduction To Aircraft Performance Selection And Design
 - Setting Reading Goals Introduction To Aircraft Performance Selection And Design
 - Carving Out Dedicated Reading Time
- 12. Sourcing Reliable Information of Introduction To Aircraft Performance Selection And Design
 - Fact-Checking eBook Content of Introduction To Aircraft Performance Selection And Design

- Distinguishing Credible Sources
- 13. Promoting Lifelong Learning
 - Utilizing eBooks for Skill Development
 - Exploring Educational eBooks
- 14. Embracing eBook Trends
 - Integration of Multimedia Elements
 - Interactive and Gamified eBooks

Introduction To Aircraft Performance Selection And Design Introduction

In this digital age, the convenience of accessing information at our fingertips has become a necessity. Whether its research papers, eBooks, or user manuals, PDF files have become the preferred format for sharing and reading documents. However, the cost associated with purchasing PDF files can sometimes be a barrier for many individuals and organizations. Thankfully, there are numerous websites and platforms that allow users to download free PDF files legally. In this article, we will explore some of the best platforms to download free PDFs. One of the most popular platforms to download free PDF files is Project Gutenberg. This online library offers over 60,000 free eBooks that are in the public domain. From classic literature to historical documents, Project Gutenberg provides a wide range of PDF files that can be downloaded and enjoyed on various devices. The website is user-friendly and allows users to search for specific titles or browse through different categories. Another reliable platform for downloading Introduction To Aircraft Performance Selection And Design free PDF files is Open Library. With its vast collection of over 1 million eBooks, Open Library has something for every reader. The website offers a seamless experience by providing options to borrow or download PDF files. Users simply need to create a free account to access this treasure trove of knowledge. Open Library also allows users to contribute by uploading and sharing their own PDF files, making it a collaborative platform for book enthusiasts. For those interested in academic resources, there are websites dedicated to providing free PDFs of research papers and scientific articles. One such website is Academia.edu, which allows researchers and scholars to share their work with a global audience. Users can download PDF files of research papers, theses, and dissertations covering a wide range of subjects. Academia.edu also provides a platform for discussions and networking within the academic community. When it comes to downloading Introduction To Aircraft Performance Selection And Design free PDF files of magazines, brochures, and catalogs, Issuu is a popular choice. This digital publishing platform hosts a vast collection of publications from around the world. Users can search for specific titles or explore various categories and genres. Issuu offers a seamless reading experience with its user-friendly interface and allows users to download PDF files for offline reading. Apart from dedicated platforms, search engines also play a crucial role in finding free

PDF files. Google, for instance, has an advanced search feature that allows users to filter results by file type. By specifying the file type as "PDF," users can find websites that offer free PDF downloads on a specific topic. While downloading Introduction To Aircraft Performance Selection And Design free PDF files is convenient, its important to note that copyright laws must be respected. Always ensure that the PDF files you download are legally available for free. Many authors and publishers voluntarily provide free PDF versions of their work, but its essential to be cautious and verify the authenticity of the source before downloading Introduction To Aircraft Performance Selection And Design. In conclusion, the internet offers numerous platforms and websites that allow users to download free PDF files legally. Whether its classic literature, research papers, or magazines, there is something for everyone. The platforms mentioned in this article, such as Project Gutenberg, Open Library, Academia.edu, and Issuu, provide access to a vast collection of PDF files. However, users should always be cautious and verify the legality of the source before downloading Introduction To Aircraft Performance Selection And Design any PDF files. With these platforms, the world of PDF downloads is just a click away.

FAQs About Introduction To Aircraft Performance Selection And Design Books

What is a Introduction To Aircraft Performance Selection And Design PDF? A PDF (Portable Document Format) is a file format developed by Adobe that preserves the layout and formatting of a document, regardless of the software, hardware, or operating system used to view or print it. **How do I create a Introduction To Aircraft Performance Selection And Design PDF?** There are several ways to create a PDF: Use software like Adobe Acrobat, Microsoft Word, or Google Docs, which often have built-in PDF creation tools. Print to PDF: Many applications and operating systems have a "Print to PDF" option that allows you to save a document as a PDF file instead of printing it on paper. Online converters: There are various online tools that can convert different file types to PDF. **How do I edit a Introduction To Aircraft Performance Selection And Design PDF?** Editing a PDF can be done with software like Adobe Acrobat, which allows direct editing of text, images, and other elements within the PDF. Some free tools, like PDFescape or Smallpdf, also offer basic editing capabilities. **How do I convert a Introduction To Aircraft Performance Selection And Design PDF to another file format?** There are multiple ways to convert a PDF to another format: Use online converters like Smallpdf, Zamzar, or Adobe Acrobats export feature to convert PDFs to formats like Word, Excel, JPEG, etc. Software like Adobe Acrobat, Microsoft Word, or other PDF editors may have options to export or save PDFs in different formats. **How do I password-protect a Introduction To Aircraft Performance Selection And Design PDF?** Most PDF editing software allows you to add password protection. In Adobe Acrobat, for instance, you can go to "File" -> "Properties" -> "Security" to set a password to restrict access or editing capabilities. Are there any free alternatives to Adobe Acrobat for working with

Introduction To Aircraft Performance Selection And Design

PDFs? Yes, there are many free alternatives for working with PDFs, such as: LibreOffice: Offers PDF editing features. PDFsam: Allows splitting, merging, and editing PDFs. Foxit Reader: Provides basic PDF viewing and editing capabilities. How do I compress a PDF file? You can use online tools like Smallpdf, ILovePDF, or desktop software like Adobe Acrobat to compress PDF files without significant quality loss. Compression reduces the file size, making it easier to share and download. Can I fill out forms in a PDF file? Yes, most PDF viewers/editors like Adobe Acrobat, Preview (on Mac), or various online tools allow you to fill out forms in PDF files by selecting text fields and entering information. Are there any restrictions when working with PDFs? Some PDFs might have restrictions set by their creator, such as password protection, editing restrictions, or print restrictions. Breaking these restrictions might require specific software or tools, which may or may not be legal depending on the circumstances and local laws.

Find Introduction To Aircraft Performance Selection And Design :

[business 48-35 online privacy ideas America 48-587 online privacy ideas United States 48-2693 personal finance checklist for creators 48-173](#)
improvement step by step America 48-2883 credit score improvement step
[practices for small business 48-2325 blog monetization best practices cloud computing best practices for entrepreneurs 48-1699 cloud computing startups 48-1097 freelancing online apps United States 48-628 marketing apps for creators 48-200 TikTok marketing apps for small interview tips apps for entrepreneurs 48-244 interview tips best marketing guide United States 48-627 AI marketing guide United States entrepreneurs 48-316 home organization roadmap America 48-1231 home careers apps for creators 48-577 data science careers apps for startups States 48-1561 cybersecurity case study United States 48-645 48-2060 career growth guide United States 48-2391 career growth ideas 48-1445 print on demand apps United States 48-232 print on demand apps routines software for creators 48-1616 fitness routines step by step USA](#)

Introduction To Aircraft Performance Selection And Design :

fendt 818 vario 820 vario operators manual tractorboek - Feb 26 2022

Introduction To Aircraft Performance Selection And Design

web description operator s manual fendt 800 vario series fendt 818 vario from chassis number 729 0101 fendt 820 vario from chassis number 731 0101 341 pages language german you will receive the downloadlink of the digital manual pdf in your email account after your payment contents

[fendt 818 vario tractor service repair manual issuu](#) - Apr 11 2023

web sep 6 2019 read fendt 818 vario tractor service repair manual by 16310524 on issuu and browse thousands of other publications on our platform please note this workshop manual gives the trained expert

fendt service manuals pdf trucksfreemanuals - Jul 02 2022

web download fendt german tractors fendt are an excellent example of high tech agricultural technology the units of this popular german brand are in the highest demand due to their reliability well thought out and balanced design comfort and modern design

[fendt pdf service manuals wiring diagrams fault codes](#) - Nov 06 2022

web fendt 300 vario workshop manuals download fendt 6300 service manual download fendt 800 vario tms 815 817 818 download fendt 900 vario com iii workshop service manuals download fendt 916 930 vario operating manual download fendt 916 vario operating manual download fendt 920 vario operating manual download

fendt service repair manual - Mar 30 2022

web do you need a services manual for your fendt check out our manuals repair instructions handbook which include maintenance and troubleshooting guide

fendt 800 vario technical information 815 817 818 service manual - Feb 09 2023

web oct 15 2021 fendt 800 vario tms 815 817 818 pdf 3 81 mb downloads 22 comment manuals other manuals fendt fault codes 916 vario 920 vario 924 vario 926 vario 930 vario 15 oct 2021 fendt 300 vario workshop manual 15 oct 2021 fendt workshop service manual 900 vario com iii 15 oct 2021 fendt fault code tables

[fendt 712 714 716 718 818 820 workshop servic issuu](#) - Jan 08 2023

web aug 5 2013 fendt 712 714 716 718 818 820 workshop service manual download here this is complete workshop repair manual for fendt tractors 700 800 series includes models 712 vario

fendt 815 817 818 vario com ii tractors workshop repair manual - Jun 13 2023

web series 800 vario com ii format pdf english fendt 815 817 818 vario com ii tractors workshop repair manual 1246 pages fendt 800 vario com ii wiring diagram and schematics 61 pages deutz bf6m bf4m engine manual 498 pages operators manual 245 pages technical data 33 pages

a new dimension in driving fendt 800 vario tms 815 817 818 - Jan 28 2022

web the fendt driver the intelligent fendt technol ogy which enhances the control processes helps meet these demands that

Introduction To Aircraft Performance Selection And Design

allows the driver to keep getting the most out of his 800 vario over a long working day that makes com fort an economical factor perfectly planned workplace comfort that pays a well adapted comfortable seat the

[fendt 818 vario tractor service repair manual issuu](#) - Oct 05 2022

web sep 22 2018 read fendt 818 vario tractor service repair manual by 1639110 on issuu and browse thousands of other publications on our platform start here

[fendt 818 820 vario com iii tractors workshop repair manual](#) - May 12 2023

web this fendt 818 820 vario com iii tractors workshop repair manual contains detailed repair instructions and maintenance specifications to facilitate your repair and troubleshooting

[fendt workshop service repair manuals download easy to use](#) - Sep 04 2022

web fendt 712 714 716 718 818 820 workshop service manual this is complete workshop repair manual for fendt tractors 700 800 series

[fendt service manual 816 818 822 824 favorit service manual workshop](#) - Mar 10 2023

web oct 15 2021 fendt instrukcja obslugi ciagniki 816 818 822 824 favorit pdf 3 96 mb downloads 300 bold italic underline strikethrough align ordered list unordered list insert link

[download fendt favorit 816 818 822 824 workshop manual pdf](#) - Dec 27 2021

web this pdf workshop manual describes the relevant operations for any repair and commissioning work for fendt tractors favorit 816 818 822 824 models 1 spare part catalogues 2 repair manuals instructions 3 wiring diagrams 4

fendt tractors workshop and service manuals pdf free download - Aug 15 2023

web sep 18 2018 fendt 1167 fendt 211 vario fendt 724 fendt 1050 fendt 1162 fendt 820 fendt 1038 fendt 516 fendt 280p fendt 828 fendt 211p fendt 936 tractors combines operators service and maintenance manuals error codes list dtc spare parts manuals catalogues wiring diagrams schematics free download pdf see also

fendt tractor 818 820 vario operating manual pdf - Jul 14 2023

web this pdf operating manual contains useful repair and service information installation guides descriptions of all repair and maintenance procedures of the fendt tractors 818 820 vario this fendt manual is a practical guide that will help you to serve repair and troubleshoot fendt tractors

[fendt tractor maintenance guide](#) - Apr 30 2022

web fendt 700 800 vario tractors workshop service repair manual download this is the most practical service repair manual for the fendt 700 800 vario tractors workshop service repair manual downloa fendt 711 712 714 716 815 817 818 vario tractor service repair factory manual instant download

[fendt 818 vario tractor service repair manual slideshare](#) - Aug 03 2022

web apr 1 2018 this is the highly detailed factory service repair manual for thefendt 818 vario tractor this service manual has detailed illustrations as well as step by step instructions it is 100 percents complete and intact they are specifically written for the do it yourself er as well as the experienced mechanic fendt 818 vario tractor service

fendt 712 714 716 718 818 820 workshop service manual - Jun 01 2022

web this is complete workshop repair manual for fendt tractors 700 800 series includes models 712 vario com3714 vario com3716 vario com3718 vario com3818 vario com3820 vario com3this is very accurate manual 1459

fendt 815 vario 817 vario 818 vario 800 vario workshop manual - Dec 07 2022

web workshop manual fendt 815 vario 817 vario 818 vario 800 vario tractor digital pdf download service repair manual
meine reisen mit herodot osiander - Mar 10 2023

web extradrucke der anderen bibliothek band 4 meine reisen mit herodot ryszard kapuściński buch gebundene ausgabe
Über das buch meine reisen mit herodot lesezyklus lektury - Jun 01 2022

web jun 5 2018 meine reisen mit herodot ist eine sammlung kurzer reportagen über expeditionen des autors in verschiedene länder asiens und afrikas darin sind autobiografische themen vertreten es geht um seine ersten dienstlichen reisen die er in den 1960er und 1970er jahren unternommen hat die beschreibungen werden durch ein
meine reise mit herodot extradrucke der anderen bibliothek - Oct 05 2022

web informationen zum titel meine reise mit herodot aus der reihe extradrucke der anderen bibliothek mit kurzbeschreibung inhaltsverzeichnis und verfügbarkeitsabfrage

meine reisen mit herodot extradrucke der anderen copy - Dec 27 2021

web jul 10 2023 meine reisen mit herodot extradrucke der anderen 1 7 downloaded from uniport edu ng on july 10 2023 by guest meine reisen mit herodot extradrucke der anderen right here we have countless book meine reisen mit herodot extradrucke der anderen and collections to check out we additionally meet the expense of variant types

meine reisen mit herodot von ryszard kapuciski buch kaufen - Feb 09 2023

web meine reisen mit herodot von ryszard kapuciski kartonierter einband jetzt buch zum tiefpreis von chf 29 10 portofrei bei ex libris bestellen bücher zum ex libris tiefpreis portofreie lieferung und über 650 abholorte

9783847720027 meine reisen mit herodot extradrucke der anderen - Dec 07 2022

web meine reisen mit herodot extradrucke der anderen bibliothek band 4 u kunt hier alle boeken van kapu ci ski ryszard opzoeken bij euro boek nl kunt u antiquarische und nieuwe boeken vergelijken en direct voor de voordeligste prijs bestellen 9783847720027

meine reisen mit herodot extradrucke der anderen bibliothek band - Aug 15 2023

web meine reisen mit herodot extradrucke der anderen bibliothek band 4 kapuściński ryszard pollack martin isbn

9783847720027 kostenloser versand für alle bücher mit versand und verkauf duch amazon

meine reisen mit herodot orell füssli - May 12 2023

web sep 16 2013 extradrucke der anderen bibliothek band 4 meine reisen mit herodot ryszard kapuściński buch gebundene ausgabe

ab die andere kapuscinski ryszard meine reisen mit letzshop - Apr 11 2023

web ab die andere bibliothek gmbh co kg kapuscinski ryszard meine reisen mit herodot extradrucke der anderen bibliothek 4 jetzt online kaufen bei letzshop im geschäft in luxemburg stadt vorrätig online bestellen

meine reisen mit herodot extradrucke der anderen copy - Jan 28 2022

web meine reisen mit herodot extradrucke der anderen downloaded from radiobolt oneblackbear com mann chen constituent confederate and conquered space cambridge university press in this study assaf yasur landau examines the early history of the biblical philistines who were among the sea peoples who mi

meine reisen mit herodot reportagen aus aller welt taschenbuch amazon de - Jun 13 2023

web meine reisen mit herodot reportagen aus aller welt taschenbuch 1 oktober 2007 von ryszard kapuscinski autor 13 sternbewertungen alle formate und editionen anzeigen taschenbuch 2 38 4 gebraucht ab 2 25 50 jahre lang bereiste ryszard kapuściński als reporter die welt

meine reisen mit herodot amazon de bücher - Apr 30 2022

web meine reisen mit herodot isbn kostenloser versand für alle bücher mit versand und verkauf duch amazon

9783821845647 meine reisen mit herodot die andere - Sep 04 2022

web meine reisen mit herodot die andere bibliothek finden sie alle bücher von kapuscinski ryszard bei der büchersuchmaschine eurobuch com können sie antiquarische und neubücher vergleichen und sofort zum bestpreis bestellen 9783821845647 pu frankfurt am main eichborn 360 seiten 8 graues o

amazon de kundenrezensionen meine reisen mit herodot extradrucke der - Jan 08 2023

web finden sie hilfreiche kundenrezensionen und rezensionsbewertungen für meine reisen mit herodot extradrucke der anderen bibliothek band 4 auf amazon de lesen sie ehrliche und unvoreingenommene rezensionen von unseren nutzern

meine reise mit herodot extradrucke der anderen bi buch - Aug 03 2022

web meine reise mit herodot extradrucke der anderen bi buch zustand sehr gut eur 21 60 zu verkaufen gebundene ausgabe herausgeber publisher action abenteuer innerhalb eines monats nach 374480711746

meine reise mit herodot extradrucke der anderen bibliot - Nov 06 2022

web entdecken sie meine reise mit herodot extradrucke der anderen bibliot buch zustand gut in der großen auswahl bei ebay kostenlose lieferung für viele artikel

meine reise mit herodot extradrucke der anderen bibl livre - Mar 30 2022

web meine reise mit herodot extradrucke der anderen bibl livre état très bon Économisez tout en achetant durable eur 17 19
achat immédiat livraison gratuite 30 jour retours garantie client ebay

meine reise mit herodot extradrucke der anderen bi buch picclick de - Jul 02 2022

web meine reise mit herodot extradrucke der anderen bi buch zustand sehr gut siehe details auf ebay erhältlich bei eur 21 60
sofort kaufen kostenloser versand ebay käuferschutz

meine reisen mit herodot ryszard kapuściński die ander - Jul 14 2023

web ryszard kapuscinski erzählt wie er mit herodot nach afrika asien und in europa reist was er an den stellen findet von
denen einst der alte griecher schrieb welche konflikte von heute ihre wurzeln schon damals hatten und wie

meine reisen mit herodot extradrucke der anderen bibliothek - Feb 26 2022

web meine reisen mit herodot extradrucke der anderen meine reisen mit herodot eichborn verlag erste auflage das
eingeschossige amerika von ilja ilf buch thalia erzählung vom leben der lappen von johan turi bücher die geschichte beider
indien guillaume raynal nur gute bücher imperium online kaufen meine reisen mit herodot extradrucke der

peminat snmptn 2022 di universitas brawijaya capai 40 094 - Feb 25 2022

web mar 2 2022 foto dok humas ub a a jakarta universitas brawijaya ub menjadi salah satu ptn yang banyak diminati pada
seleksi nasional masuk perguruan

tanggal pendaftaran universitas brawijaya 2014 2015 - Aug 02 2022

web april 23rd 2018 diumumkan kepada seluruh mahasiswa s1 fakultas hukum universitas brawijaya beberapa genap 2014
2015 dilaksanakan tanggal 15 s d pendaftaran ppm

kalender akademik universitas brawijaya tahun - Jan 27 2022

web kalender akademik universitas brawijaya tahun 2014 2015 i semester ganjil tanggal 1 daftar ulang mahasiswa baru a
snmptn b sbmptn c spmk

tanggal pendaftaran universitas brawijaya 2014 2015 pdf vpn - Oct 04 2022

web tanggal pendaftaran universitas brawijaya 2014 2015 downloaded from vpn bethnalgreenventures com osborne angie
2021 international conference on ad

kalender akademik universitas brawijaya 2022 2023 - Mar 29 2022

web aug 1 2022 tabel konversi kurikulum 2015 dan 2019 kurikulum snpt 2014 tabel konversi kurikulum 2010 dan 2014
kurikulum 2010 kalender akademik universitas

tanggal pendaftaran universitas brawijaya 2014 2015 - Nov 05 2022

web april 21st 2018 universitas brawijaya tahun akademik 2016 2017 2014 2015 2016 bagi pendaftar atau bank mandiri

seluruh indonesia mulai tanggal 20 juni s d 14

tanggal pendaftaran universitas brawijaya 2014 2015 - Jul 01 2022

web jun 18 2023 seleksi mandiri universitas brawijaya 2014 2015 2016 bagi pendaftar seleksi mandiri unversitas brawijaya ini akan dilaksanakan pada tanggal 19 juli 2016

tanggal pendaftaran universitas brawijaya 2014 2015 - Dec 26 2021

web tanggal pendaftaran universitas brawijaya 2014 2015 agustus 2014 pendaftaran cpns universitas brawijaya tahun 2014 april 18th 2018 pendaftaran

kalender akademik ub 2014 2015 universitas brawijaya - Jul 13 2023

web september 2015 february 2015 january 2015 october 2014 september 2014 may 2014 april 2014 february 2014 january 2014 november 2013 september 2013 june 2013

tanggal pendaftaran universitas brawijaya 2014 2015 - Oct 24 2021

web march 20th 2018 kalender akademik universitas brawijaya tahun akademik 2014 2015 i semester ganjil tanggal 1 daftar ulang mahasiswa baru a snmptn

tanggal pendaftaran universitas brawijaya 2014 2015 - Sep 03 2022

web march 29th 2018 seleksi alih program fakultas teknik universitas brawijaya tahun akademik 2014 2015 tanggal 9 juli â 23 juli 2014 2014 pendaftaran ulang registrasi

tanggal pendaftaran universitas brawijaya 2014 2015 - Feb 08 2023

web tanggal pendaftaran universitas brawijaya 2014 2015 april 25th 2018 tanggal penting no events all jadwal pembagian jaket almamater dan kaos mahasiswa

read free pendaftaran universitas brawijaya 2014 2015 - May 31 2022

web apr 2 2023 april 1st 2018 tanggal pendaftaran universitas brawijaya 2014 2015 pdf tanggal pendaftaran universitas brawijaya 2014 2015 download thu 29 mar 2018 06

kalender akademik universitas brawijaya tahun - May 11 2023

web kalender akademik universitas brawijaya tahun 2015 2016 i semester ganjil tanggal 1 daftar ulang mahasiswa baru a snmptn b sbmptn c spmk

kalender akademik universitas brawijaya final i - Aug 14 2023

web kalender akademik universitas brawijaya tahun 2014 2015 i semester ganjil tanggal 1 daftar ulang mahasiswa baru a snmptn b sbmptn c spmk

registrasi semester genap 2014 2015 teknik sipil - Dec 06 2022

web pengumuman nomor 0363 un10 ak 2015 tentang registrasi mahasiswa universitas brawijaya semester genap tahun

akademik 2014 2015

jadwal penerimaan mahasiswa baru s1 vokasi universitas - Jun 12 2023

web jun 3 2014 12 mei 6 juni 2014 pendaftaran sbmptn online sbmptn or id 2 17 juni 2014 test sbmptn 3 16 juli 2014

pengumuman sbmptn 4 23 juni 18 juli 2014

tanggal pendaftaran universitas brawijaya 2014 2015 pdf - Apr 10 2023

web may 20 2023 web tanggal pendaftaran universitas brawijaya 2014 2015 tanggal pendaftaran universitas brawijaya 2014 2015 snmptn 2018 penerimaan ub jalur spmk

kalender akademik universitas brawijaya - Mar 09 2023

web aug 11 2023 2 registrasi akademik pengisian krs mahasiswa lama 1 12 agustus 2023 3 batas akhir batal tambah dan pembatalan mata kuliah kebijakan penentuan

tanggal pendaftaran universitas brawijaya 2014 2015 download - Apr 29 2022

web definitely offer it is not almost the costs its about what you need currently this tanggal pendaftaran universitas brawijaya 2014 2015 as one of the most keen sellers here

kalender akademik fakultas ilmu administrasi - Jan 07 2023

web kalender akademik fakultas ilmu administrasi universitas brawijaya tahun akademik 2014 2015 i semester ganjil tanggal daftar ulang mahasiswa baru a snmptn jalur

tanggal pendaftaran universitas brawijaya 2014 2015 - Nov 24 2021

web tanggal pendaftaran universitas brawijaya 2014 2015 penerimaan ui april 24th 2018 informasi pendaftaran ulang dan biaya pendidikan untuk siswa yang lolos seleksi

tanggal pendaftaran universitas brawijaya 2014 2015 - Sep 22 2021

web brawijaya beberapa genap 2014 2015 dilaksanakan tanggal 15 s d pendaftaran ppm kkn tahun pengumuman indeks archive universitas brawijaya april 14th 2018