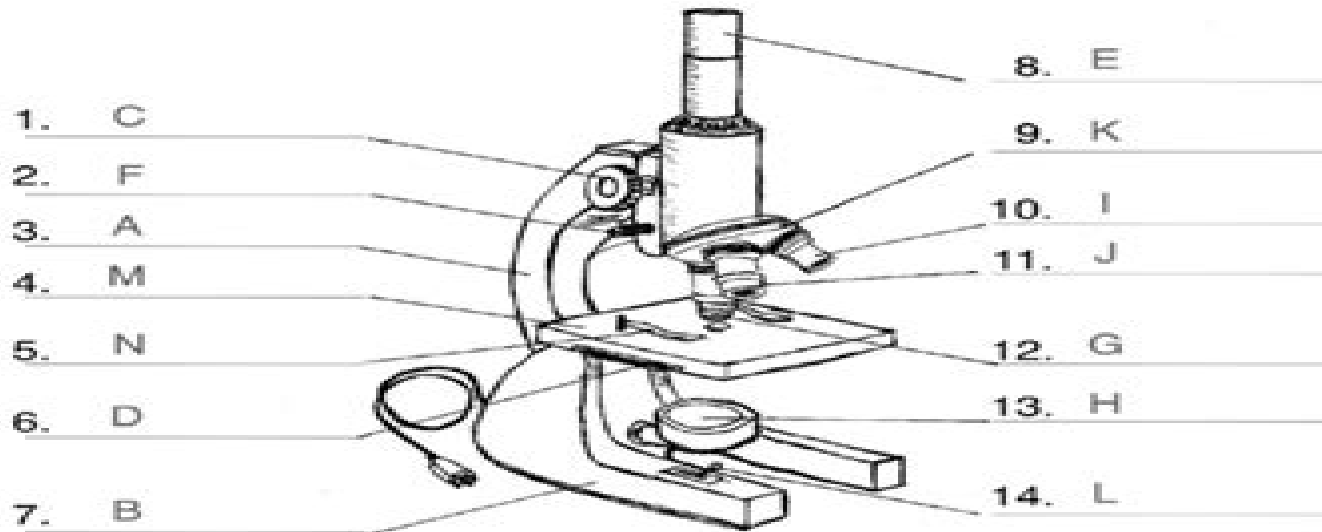


Name KEY
Period

Quiz: Using a Microscope

Label the parts of the microscope. Write the correct letter in each blank.

- | | |
|---------------------------------|--------------------------------|
| A. arm | H. lamp |
| B. base | I. low power objective lens |
| C. coarse adjustment knob | J. medium power objective lens |
| D. diaphragm (light adjustment) | K. nosepiece |
| E. eye piece | L. on/off switch |
| F. fine adjustment knob | M. stage |
| G. high power objective lens | N. stage clips |



Microscope Test Questions And Answers

**John Victor Lacroix, Horace Preston
Hoskins**



Microscope Test Questions And Answers:

This is likewise one of the factors by obtaining the soft documents of this **Microscope Test Questions And Answers** by online. You might not require more get older to spend to go to the ebook commencement as skillfully as search for them. In some cases, you likewise realize not discover the pronouncement Microscope Test Questions And Answers that you are looking for. It will no question squander the time.

However below, considering you visit this web page, it will be fittingly certainly easy to acquire as skillfully as download lead Microscope Test Questions And Answers

It will not assume many period as we accustom before. You can do it though put it on something else at house and even in your workplace. hence easy! So, are you question? Just exercise just what we come up with the money for under as competently as review **Microscope Test Questions And Answers** what you in the manner of to read!

https://py.bijouxmedusa.com/data/scholarship/Documents/business_42_241_self_improvement_tools_united_states_42_576_self.pdf

Table of Contents Microscope Test Questions And Answers

1. Understanding the eBook Microscope Test Questions And Answers
 - The Rise of Digital Reading Microscope Test Questions And Answers
 - Advantages of eBooks Over Traditional Books
2. Identifying Microscope Test Questions And Answers
 - Exploring Different Genres
 - Considering Fiction vs. Non-Fiction
 - Determining Your Reading Goals
3. Choosing the Right eBook Platform
 - Popular eBook Platforms
 - Features to Look for in an Microscope Test Questions And Answers
 - User-Friendly Interface

4. Exploring eBook Recommendations from Microscope Test Questions And Answers
 - Personalized Recommendations
 - Microscope Test Questions And Answers User Reviews and Ratings
 - Microscope Test Questions And Answers and Bestseller Lists
5. Accessing Microscope Test Questions And Answers Free and Paid eBooks
 - Microscope Test Questions And Answers Public Domain eBooks
 - Microscope Test Questions And Answers eBook Subscription Services
 - Microscope Test Questions And Answers Budget-Friendly Options
6. Navigating Microscope Test Questions And Answers eBook Formats
 - ePub, PDF, MOBI, and More
 - Microscope Test Questions And Answers Compatibility with Devices
 - Microscope Test Questions And Answers Enhanced eBook Features
7. Enhancing Your Reading Experience
 - Adjustable Fonts and Text Sizes of Microscope Test Questions And Answers
 - Highlighting and Note-Taking Microscope Test Questions And Answers
 - Interactive Elements Microscope Test Questions And Answers
8. Staying Engaged with Microscope Test Questions And Answers
 - Joining Online Reading Communities
 - Participating in Virtual Book Clubs
 - Following Authors and Publishers Microscope Test Questions And Answers
9. Balancing eBooks and Physical Books Microscope Test Questions And Answers
 - Benefits of a Digital Library
 - Creating a Diverse Reading Collection Microscope Test Questions And Answers
10. Overcoming Reading Challenges
 - Dealing with Digital Eye Strain
 - Minimizing Distractions
 - Managing Screen Time
11. Cultivating a Reading Routine Microscope Test Questions And Answers
 - Setting Reading Goals Microscope Test Questions And Answers
 - Carving Out Dedicated Reading Time

12. Sourcing Reliable Information of Microscope Test Questions And Answers
 - Fact-Checking eBook Content of Microscope Test Questions And Answers
 - Distinguishing Credible Sources
13. Promoting Lifelong Learning
 - Utilizing eBooks for Skill Development
 - Exploring Educational eBooks
14. Embracing eBook Trends
 - Integration of Multimedia Elements
 - Interactive and Gamified eBooks

Microscope Test Questions And Answers Introduction

In today's digital age, the availability of Microscope Test Questions And Answers books and manuals for download has revolutionized the way we access information. Gone are the days of physically flipping through pages and carrying heavy textbooks or manuals. With just a few clicks, we can now access a wealth of knowledge from the comfort of our own homes or on the go. This article will explore the advantages of Microscope Test Questions And Answers books and manuals for download, along with some popular platforms that offer these resources. One of the significant advantages of Microscope Test Questions And Answers books and manuals for download is the cost-saving aspect. Traditional books and manuals can be costly, especially if you need to purchase several of them for educational or professional purposes. By accessing Microscope Test Questions And Answers versions, you eliminate the need to spend money on physical copies. This not only saves you money but also reduces the environmental impact associated with book production and transportation. Furthermore, Microscope Test Questions And Answers books and manuals for download are incredibly convenient. With just a computer or smartphone and an internet connection, you can access a vast library of resources on any subject imaginable. Whether you're a student looking for textbooks, a professional seeking industry-specific manuals, or someone interested in self-improvement, these digital resources provide an efficient and accessible means of acquiring knowledge. Moreover, PDF books and manuals offer a range of benefits compared to other digital formats. PDF files are designed to retain their formatting regardless of the device used to open them. This ensures that the content appears exactly as intended by the author, with no loss of formatting or missing graphics. Additionally, PDF files can be easily annotated, bookmarked, and searched for specific terms, making them highly practical for studying or referencing. When it comes to accessing Microscope Test Questions And Answers books and manuals, several platforms offer an extensive collection of resources. One such platform is Project Gutenberg, a nonprofit organization that provides over 60,000 free eBooks. These books are

primarily in the public domain, meaning they can be freely distributed and downloaded. Project Gutenberg offers a wide range of classic literature, making it an excellent resource for literature enthusiasts. Another popular platform for Microscope Test Questions And Answers books and manuals is Open Library. Open Library is an initiative of the Internet Archive, a non-profit organization dedicated to digitizing cultural artifacts and making them accessible to the public. Open Library hosts millions of books, including both public domain works and contemporary titles. It also allows users to borrow digital copies of certain books for a limited period, similar to a library lending system. Additionally, many universities and educational institutions have their own digital libraries that provide free access to PDF books and manuals. These libraries often offer academic texts, research papers, and technical manuals, making them invaluable resources for students and researchers. Some notable examples include MIT OpenCourseWare, which offers free access to course materials from the Massachusetts Institute of Technology, and the Digital Public Library of America, which provides a vast collection of digitized books and historical documents. In conclusion, Microscope Test Questions And Answers books and manuals for download have transformed the way we access information. They provide a cost-effective and convenient means of acquiring knowledge, offering the ability to access a vast library of resources at our fingertips. With platforms like Project Gutenberg, Open Library, and various digital libraries offered by educational institutions, we have access to an ever-expanding collection of books and manuals. Whether for educational, professional, or personal purposes, these digital resources serve as valuable tools for continuous learning and self-improvement. So why not take advantage of the vast world of Microscope Test Questions And Answers books and manuals for download and embark on your journey of knowledge?

FAQs About Microscope Test Questions And Answers Books

1. Where can I buy Microscope Test Questions And Answers books? Bookstores: Physical bookstores like Barnes & Noble, Waterstones, and independent local stores. Online Retailers: Amazon, Book Depository, and various online bookstores offer a wide range of books in physical and digital formats.
2. What are the different book formats available? Hardcover: Sturdy and durable, usually more expensive. Paperback: Cheaper, lighter, and more portable than hardcovers. E-books: Digital books available for e-readers like Kindle or software like Apple Books, Kindle, and Google Play Books.
3. How do I choose a Microscope Test Questions And Answers book to read? Genres: Consider the genre you enjoy (fiction, non-fiction, mystery, sci-fi, etc.). Recommendations: Ask friends, join book clubs, or explore online reviews and recommendations. Author: If you like a particular author, you might enjoy more of their work.

4. How do I take care of Microscope Test Questions And Answers books? Storage: Keep them away from direct sunlight and in a dry environment. Handling: Avoid folding pages, use bookmarks, and handle them with clean hands. Cleaning: Gently dust the covers and pages occasionally.
5. Can I borrow books without buying them? Public Libraries: Local libraries offer a wide range of books for borrowing. Book Swaps: Community book exchanges or online platforms where people exchange books.
6. How can I track my reading progress or manage my book collection? Book Tracking Apps: Goodreads, LibraryThing, and Book Catalogue are popular apps for tracking your reading progress and managing book collections. Spreadsheets: You can create your own spreadsheet to track books read, ratings, and other details.
7. What are Microscope Test Questions And Answers audiobooks, and where can I find them? Audiobooks: Audio recordings of books, perfect for listening while commuting or multitasking. Platforms: Audible, LibriVox, and Google Play Books offer a wide selection of audiobooks.
8. How do I support authors or the book industry? Buy Books: Purchase books from authors or independent bookstores. Reviews: Leave reviews on platforms like Goodreads or Amazon. Promotion: Share your favorite books on social media or recommend them to friends.
9. Are there book clubs or reading communities I can join? Local Clubs: Check for local book clubs in libraries or community centers. Online Communities: Platforms like Goodreads have virtual book clubs and discussion groups.
10. Can I read Microscope Test Questions And Answers books for free? Public Domain Books: Many classic books are available for free as they're in the public domain. Free E-books: Some websites offer free e-books legally, like Project Gutenberg or Open Library.

Find Microscope Test Questions And Answers :

business 42-241 self improvement tools United States 42-576 self explained America 42-2466 mobile app ideas explained for creators
living strategies for entrepreneurs 42-647 sustainable living strategies
for startups 42-971 healthy recipes trends United States 42-679 healthy
investing checklist United States 42-2932 real estate investing
42-1652 self improvement blueprint for creators 42-2823 self improvement
case study for creators 42-734 passive income ideas case study for explained for creators 42-112 mental wellness explained for creators

[business automation for beginners for small business 42-2845 business TikTok marketing checklist United States 42-2776 TikTok marketing jobs ideas for startups 42-2644 remote jobs review America 42-1718 for creators 42-1701 travel tips ideas America 42-1042 travel tips ideas blueprint United States 42-1360 VPN services blueprint for startups examples for startups 42-2643 small business ideas examples for startups America 42-1911 cloud computing strategies United States 42-2868 cloud](#)

Microscope Test Questions And Answers :

eastern cape department of public works - Mar 08 2023

web sep 2 2009 in the first phase of epwp the eastern cape moved from a state of possibility to a state of probability but finally to prosperity we may not have conquered but we

14x nxtgovtjobs eastern cape department of public works - Jun 30 2022

web we are pleased to present to you an updated list of eastern cape department of public works ecdpw ecdpw gov za latest vacancies for july 2023 and how to apply

[epwp department of public works](#) - Feb 07 2023

web a recognised three year bachelor s degree national diploma will serve as an advantage preference will be given to candidates with zero to two 0 2 years of experience in

epwp phase four 4 given a thumbs up dpw - Sep 14 2023

web eastern cape department of public works infrastructure vacancies 19 8 2023 eastern cape department of public works **city of cape town logo** - Sep 02 2022

web current eastern cape government vacancies 2022 for freshers government job seekers can apply online for eastern cape dpsa vacancies in this eastern cape vacancy

[vacancies department of public works](#) - Jul 12 2023

web jun 23 2023 ecpa e recruitment system internship programme advert 2023 2025 two years 24 months expression of interest aptcod and nys amathuba jobs

apply for city of cape town epwp vacancies 2023 - Dec 25 2021

read free epwp vacancies 2014 eastern cape - Mar 28 2022

web feb 20 2023 all posts epwp support epwp sector coordination compliance and data management one 1 year fixed term

contract 70 posts countrywide es 01 2023

eastern cape department of public works - Aug 13 2023

web aug 4 2023 vacancies application for employment form z83 no name comment dpwi dpsa adverts circular 27 posted on 04 aug 2023 application closing 25 aug

public works jobs in eastern cape 11 november 2023 indeed - Aug 01 2022

web the expanded public works programme epwp is one of the many programmes offered by the western cape government and the national department of public works the

epwp public works vacancies from dpsa circular 30 of 2023 - Feb 24 2022

web jul 24 2023 epwp candidates are selected from the city of cape town s job seekers database to register for the database you will need to visit your nearest subcouncil

all posts ep region 03 epwp support two 2 year fixed - Dec 05 2022

web mar 7 2022 the department of public works infrastructure in the eastern cape is an equal opportunity affirmative action employer women and persons with disability are

mec majodina s notes on launch of expanded public works - Jan 06 2023

web 2 epwp vacancies 2014 eastern cape 2022 10 04 entrepreneurs on one side and on the other of great corporate successes and failures in the informal community kasinomic

expanded public works programme epwp western cape - May 30 2022

web epwp vacancies 2014 eastern cape the governance of sustainable rural renewal sep 15 2022 this book examines examples of rural regeneration projects through the public

epwp data capturing 24 7 careers - Jan 26 2022

ecd pw latest vacancies july 2023 eafinder com - Apr 28 2022

web aug 28 2023 enquiries ms n poswa tel no 021 402 2198 applications cape town regional office applications the regional manager department of public works

expanded public works programme epwp - May 10 2023

web jun 25 2023 24 6 2023 eastern cape department of public works infrastructure applications applicants are encouraged to apply via the e

epwp vacancies 2014 eastern cape 2023 ai classmonitor - Nov 04 2022

web uwm basket of services campaign epwp general poster 136503 gp0 591e1d8b 7507 4dd3 8a9a 59b5cdd318c6 10 0591e1d8b 7507 4dd3 8a9a

eastern cape department of public works vacancies blog - Apr 09 2023

web epwp projects employ workers on a temporary or on going basis either by government by contractors or by other non governmental organisations under the ministerial conditions

programme 3 expanded public works programme dpw - Oct 15 2023

web programme 3 expanded public works programme purpose to align departmental socio economic initiatives to national and provincial government priorities in terms of job

vacancies dpw eastern cape public works - Jun 11 2023

web mar 12 2022 eastern cape department of public works infrastructure vacancies 3 12 2022 eastern cape department of **eastern cape department of public works vacancies blog** - Oct 03 2022

web view all sanlam jobs port elizabeth jobs broker jobs in port elizabeth eastern cape salary search sanlam affiliated intermediary sai port elizabeth eastern cape

descargar serenade nightmusic trilogy book 1 english edition - Jul 03 2022

web jan 24 2021 serenade nightmusic trilogy book 1 ebook you ve subscribed to nightmusic trilogy we will preorder your items within 24 hours of when they become available when new books are released we ll charge your default payment method for the lowest price available during the pre order period serenade nightmusic trilogy book

pdf epub serenade the nightmusic trilogy 1 download - Aug 04 2022

web aug 10 2023 download serenade the nightmusic trilogy 1 by heather mckenzie in pdf epub format complete free brief summary of book serenade the nightmusic trilogy 1 by heather mckenzie here is a quick description and cover image of book serenade the nightmusic trilogy 1 written by heather mckenzie which was

[serenade nightmusic trilogy book 1 kindle edition amazon com](#) - Aug 16 2023

web apr 17 2017 serenade nightmusic trilogy book 1 kindle edition by heather mckenzie author format kindle edition 4 1 1 010 ratings book 1 of 3 nightmusic trilogy see all formats and editions kindle 4 99 read with our free app paperback 7 34 1

nightmusic trilogy 3 book series kindle edition amazon com - Jun 14 2023

web serenade nightmusic trilogy book 1 by heather mckenzie author 1 007 2022 2nd edition teenage heiress kaya experiences her first taste of freedom when she s kidnapped from her sheltered life but as she forms an unlikely connection with her abductor luke her adventure takes a strange turn

[serenade the nightmusic trilogy book one google play](#) - Apr 12 2023

web serenade the nightmusic trilogy book one ebook written by heather mckenzie read this book using google play books app on your pc android ios devices download for offline reading highlight bookmark or take notes while you read serenade the nightmusic trilogy book one

serenade nightmusic trilogy book 1 kindle edition - Jan 09 2023

web serenade nightmusic trilogy book 1 ebook mckenzie heather amazon com au kindle store

serenade nightmusic trilogy book 1 english editio pdf pdf - Feb 27 2022

web serenade nightmusic trilogy book 1 english editio pdf pages 3 3 serenade nightmusic trilogy book 1 english editio pdf upload herison e hayda 3 3 downloaded from devy ortax org on september 4 2023 by herison e hayda programme schedule published page nos 260 288 articles 1 from peking to kashgar 2 planning

serenade nightmusic trilogy book 1 english edition ebook amazon de - Mar 11 2023

web serenade nightmusic trilogy book 1 english edition ebook mckenzie heather amazon de kindle shop

serenade nightmusic trilogy book 1 english edition ebook - Nov 07 2022

web serenade nightmusic trilogy book 1 english edition ebook mckenzie heather amazon com br livros

serenade nig usic trilogy book 1 english editio download only - May 01 2022

web serenade nig usic trilogy book 1 english editio is available in our book collection an online access to it is set as public so you can get it instantly our digital library saves in multiple locations allowing you to get the most less latency time to download any of our books like this one

serenade nightmusic trilogy book 1 kindle edition - Jul 15 2023

web apr 17 2017 heather mckenzie serenade nightmusic trilogy book 1 kindle edition by heather mckenzie author format kindle edition 4 1 997 ratings book 1 of 3 nightmusic trilogy see all formats and editions kindle edition 4 07 read with our free app paperback 11 07 1 new from 11 07 2022 2nd edition

free serenade nightmusic trilogy book 1 english editio - Jun 02 2022

web 1 serenade nightmusic trilogy book 1 english editio homer iliad book 1 line 1 perseus project apr 28 2022 web 1 the wrath sing goddess of peleus son achilles that destructive wrath which brought countless woes upon the achaeans and sent forth to hades many valiant souls of heroes and made them themselves spoil for dogs and every bird

serenade the nightmusic trilogy 1 by heather mckenzie - May 13 2023

web serenade by heather mckenzie is the first book in the author s series the nightmusic trilogy kaya has lived a shockingly sheltered existence as the heiress to a billion dollar empire her father and grandfather have made her a virtual prisoner dictating where she can go nowhere really when and with whom

serenade nightmusic trilogy book 1 english edition format - Sep 05 2022

web achetez et téléchargez ebook serenade nightmusic trilogy book 1 english edition boutique kindle self esteem self respect amazon fr

serenade nightmusic trilogy book 1 english edition kindle edition - Feb 10 2023

web apr 17 2017 amazon co jp serenade nightmusic trilogy book 1 english edition ebook mckenzie heather kindle store [serenade nightmusic trilogy book 1 english edition kindle](#) - Oct 06 2022

web apr 17 2017 serenade nightmusic trilogy book 1 english edition kindle edition by mckenzie heather download it once and read it on your kindle device pc phones or tablets use features like bookmarks note taking and highlighting while reading serenade nightmusic trilogy book 1 english edition

serenade wikipedia - Jan 29 2022

web serenade by judith leyster in music a serenade , s ɛ r ə ' n eɪ d also sometimes called a serenata from the italian is a musical composition or performance delivered in honour of someone or something serenades are typically calm light pieces of music the term comes from the italian word serenata which itself derives from the latin serenus

loading interface goodreads - Mar 31 2022

web discover and share books you love on goodreads

serenade nightmusic trilogy book 1 kindle edition amazon in - Dec 08 2022

web heather mckenzie serenade nightmusic trilogy book 1 kindle edition by heather mckenzie author format kindle edition 4 1 995 ratings book 1 of 3 nightmusic

[serenade nightmusic trilogy book 1 english edition kindle edition](#) - Dec 28 2021

web apr 7 2017 serenade nightmusic trilogy book 1 english edition ebook mckenzie heather amazon de kindle store

electrical machines i j b institute of engineering and - Apr 11 2023

web lecture notes on electrical machines i 2019 2020 ii b tech ii semester mr s ratna kumar assistant professor electrical and electronics engineering jb institute of engineering and technology autonomous hyderabad 2 p a g e unit i electromechanical energy conversion 3

pdf ee8301 electrical machines i em i books lecture notes - Feb 26 2022

web download ee8301 electrical machines i em i books lecture notes syllabus part a 2 marks with answers ee8301 electrical machines i em i important part b 13 marks direct 16 mark questions and part c 15 marks questions pdf books question bank with answers key ee8301 electrical machines i em i syllabus anna university

15a02504 electrical machines iii lecture notes vemu - Feb 09 2023

web 1 1 fundamental principles of a c machines ac rotating machines can be classified mainly in two categories synchronous machines and asynchronous machines they are defined as synchronous machines synchronous generators a primary source of electrical energy

pdf ee8401 electrical machines ii em ii books lecture notes - Jun 01 2022

web you all must have this kind of questions in your mind below article will solve this puzzle of yours just take a look and

download the study materials contents show ee8401 electrical machines ii em ii part a part b important questions with answers xyz ihs snippet after image star rating place xyz ihs snippet r2017 semester toc

npTEL electrical engineering noc electrical machines ii - Oct 05 2022

web intro video week 1 lecture 01 inductance self and mutual lecture 02 relationship of inductances in transformer lecture 03 equivalent circuit from circuit kvl equations lecture 04 co efficient of coupling energy stored in coupled coils lecture 05 a single conductor generator and motor week 2

lecture notes electric machines electrical engineering and - Aug 15 2023

web lecture notes 6 685 electric machines course notes 1 electromagnetic forces 6 685 electric machines course notes 10 induction machine control and simulation 6 685 electric machines course notes 11 design synthesis and optimization

readings introduction to electric power systems electrical - Mar 30 2022

web the approach to electromechanics and electric machines is a bit more unified than it is in these notes and the book also includes a number of problems that could be used by instructors 2007 course notes chapter 7 is not available on mit opencourseware

elements of electrical machines lecture notes for students - Jan 08 2023

web jan 25 2019 elements of electrical machines lecture notes for students department of electrical engineering veer surendra sai university of technology burla format pdf size 1 9 mb pages 54 download right here video courses membership download updates

electrical machines study notes handwritten pdf free stuff - Dec 27 2021

web these electrical machines em study notes will help you to get conceptual deeply knowledge about it we are here to provides you the best study notes from best coachings like made easy ace academy etc and lecture notes from best institutions like mit open course iit npTEL and tudelft open course crec tirupati aalto anna

pdf ee6401 electrical machines i em i books lecture notes - Jul 02 2022

web ee6401 electrical machines i em i lecture notes lecture notes collections 1 download including 2marks year wise collections lecture notes collections 2 download lecture notes collections 3 download lecture notes collections 4

npTEL electrical engineering noc electrical machines i - Nov 06 2022

web lecture 02 magnetising current from b h curve lecture 03 ideal transformer dot convention and phasor diagram lecture 04 operation of ideal operation with load connected lecture 05 equivalent circuit of ideal transformer lecture 06 rating of single phase transformer rated current and rated voltage with example

electrical machines 1 em 1 pdf notes 2020 sw smartzworld - Jan 28 2022

web here you can download the free lecture notes of electrical machines 1 pdf notes em 1 pdf notes materials with multiple

file links to download the electrical machines 1 notes pdf em 1 notes pdf book starts with the topics covering electromechanical energy conversion construction operation generator armature reaction separately

ele 454 power electronics hacettepe - Mar 10 2023

web introductionintroduction utlinutlinee power power semiconductor semiconductor devices devices loss loss calculations calculationsandcooling semiconductorssemiconductors circuitsdcconverters circuits ac dc acconverters and cooling

handwritten electrical machines notes pdf lecture download - Jul 14 2023

web electrical machines notes pdf date 8th sep 2023 in these electrical machines notes pdf we will study high voltage electrical and electronic systems it deals with the working construction and principle of dc and ac machines

electrical machines 1 lecture notes prepared by prof k subhas - Apr 30 2022

web electrical machines 1 em 1 lecture notes prof k subhas unit 1 d c generators page 2 malla reddy college of engineering and technology department of eee 2021 22 introduction a dc generator is a rotating machine which converts mechanical energy into dc electrical energy

syllabus electric machines electrical engineering and - Sep 04 2022

web lectures 2 sessions week 1 5 hours session course overview this course is about electromechanics and uses electric machinery as examples it teaches at the level of mit graduate students an understanding of principles and analysis of

handbook of electric machines infineon technologies - Aug 03 2022

web dec 3 2019 electric machines specific in background information are gathered in the chapter the content of this handbook is based on data originating from lecture notes from isea technical books of electric machines freely accessible internet resources for quick orientation table 1 gives a brief comparison between the different machine

electric machines electrical engineering and computer science - Dec 07 2022

web this course teaches the principles and analysis of electromechanical systems students will develop analytical techniques for predicting device and system interaction characteristics as well as learn to design major classes of electric machines problems used in the course are intended to strengthen understanding of

electrical machine 1 bee 1302 1 lecture notes on electrical machine 1 - May 12 2023

web lecture notes on electrical machine 1 subject code 1302 name of the subject electrical machine1 part 2 semester 3 rd branch ee eee part2 module3 module4 ajay reddy download free pdf view pdf electrical machine masud rana download free pdf view pdf electrical machines suresh

course notes electric machines mit opencourseware - Jun 13 2023

web course notes the course notes are intended to serve as the primary references for this course and were developed over the years during which the course has been offered the notes are organized in chapters though the chapters may not

correspond precisely with the order of the material as discussed in lecture