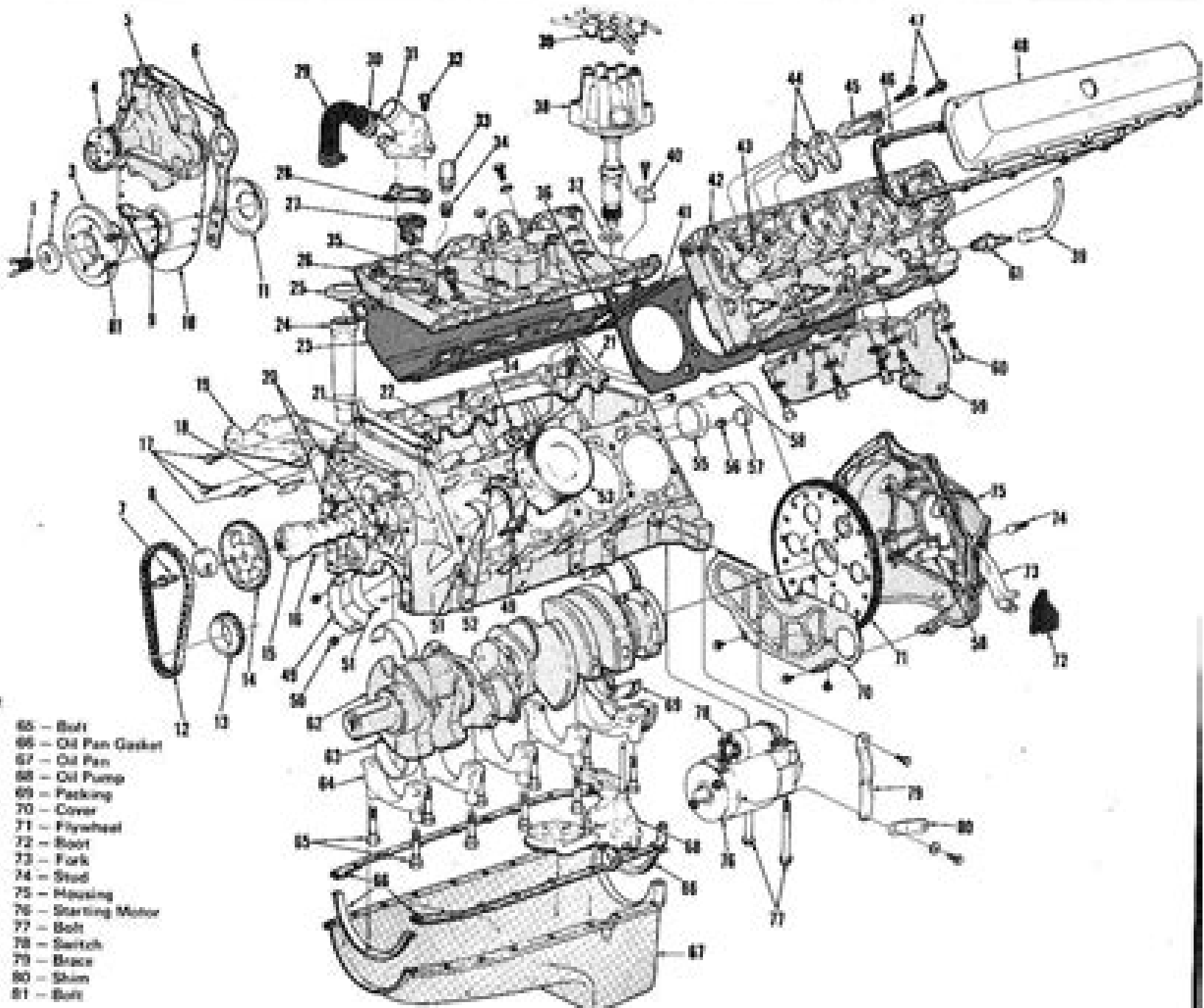


- 1 - Rollers
- 2 - Hub
- 3 - Water Pump
- 4 - Gasket
- 5 - Bolt
- 6 - Eccentric
- 7 - Indicator
- 8 - Cover
- 9 - Slinger
- 10 - Timing Chain
- 11 - Gear, Crankshaft
- 12 - Gear, Camshaft
- 13 - Camshaft
- 14 - Pin
- 15 - Bolt
- 16 - Bottle
- 17 - Bracket
- 18 - Plug
- 19 - Seal
- 20 - Bottle
- 21 - Gasket
- 22 - Tube
- 23 - Cap
- 24 - Intake Manifold
- 25 - Thermostat
- 26 - Gasket
- 27 - Hose
- 28 - Clamp
- 29 - Outlet
- 30 - Bolt
- 31 - Switch
- 32 - Plug
- 33 - Bolt
- 34 - Push Rod
- 35 - Gasket
- 36 - Distributor
- 37 - Wire
- 38 - Clamp
- 39 - Head Gasket
- 40 - Head
- 41 - Spring
- 42 - Rocker Arm
- 43 - Push Rod Pin
- 44 - Valve Cover Gasket
- 45 - Bolt
- 46 - Cover
- 47 - Connecting Rod
- 48 - Nut
- 49 - Bearing
- 50 - Bolt
- 51 - Piston & Pin
- 52 - Valve Lifter
- 53 - Plug
- 54 - Plug
- 55 - Plug
- 56 - Pin
- 57 - Exhaust Manifold
- 58 - Bolt
- 59 - Spark Plug
- 60 - Crankshaft
- 61 - Bearing
- 62 - Cap
- 63 - Bolt
- 64 - Oil Pan Gasket
- 65 - Oil Pan
- 66 - Oil Pump
- 67 - Packing
- 68 - Cover
- 69 - Flywheel
- 70 - Bolt
- 71 - Fork
- 72 - Stud
- 73 - Housing
- 74 - Starting Motor
- 75 - Bolt
- 76 - Switch
- 77 - Brace
- 78 - Shim
- 79 - Bolt



3 8 Ford Engine Components Disassembled View

RJ Alexander



3 8 Ford Engine Components Disassembled View:

Unveiling the Power of Verbal Artistry: An Emotional Sojourn through **3 8 Ford Engine Components Disassembled View**

In some sort of inundated with displays and the cacophony of immediate interaction, the profound power and emotional resonance of verbal beauty frequently fade into obscurity, eclipsed by the constant onslaught of sound and distractions. However, set within the lyrical pages of **3 8 Ford Engine Components Disassembled View**, a captivating function of literary elegance that pulses with organic feelings, lies an unique trip waiting to be embarked upon. Penned by a virtuoso wordsmith, this magical opus manuals visitors on an emotional odyssey, softly revealing the latent possible and profound influence embedded within the delicate internet of language. Within the heart-wrenching expanse with this evocative examination, we can embark upon an introspective exploration of the book is key themes, dissect their charming writing style, and immerse ourselves in the indelible effect it leaves upon the depths of readers souls.

<https://py.bijouxmedusa.com/data/book-search/default.aspx/entrepreneurs%2043%202397%20retirement%20planning%20explained%20for%20entrepreneurs.pdf>

Table of Contents 3 8 Ford Engine Components Disassembled View

1. Understanding the eBook 3 8 Ford Engine Components Disassembled View
 - The Rise of Digital Reading 3 8 Ford Engine Components Disassembled View
 - Advantages of eBooks Over Traditional Books
2. Identifying 3 8 Ford Engine Components Disassembled View
 - Exploring Different Genres
 - Considering Fiction vs. Non-Fiction
 - Determining Your Reading Goals
3. Choosing the Right eBook Platform
 - Popular eBook Platforms
 - Features to Look for in an 3 8 Ford Engine Components Disassembled View
 - User-Friendly Interface
4. Exploring eBook Recommendations from 3 8 Ford Engine Components Disassembled View

- Personalized Recommendations
 - 3 8 Ford Engine Components Disassembled View User Reviews and Ratings
 - 3 8 Ford Engine Components Disassembled View and Bestseller Lists
5. Accessing 3 8 Ford Engine Components Disassembled View Free and Paid eBooks
 - 3 8 Ford Engine Components Disassembled View Public Domain eBooks
 - 3 8 Ford Engine Components Disassembled View eBook Subscription Services
 - 3 8 Ford Engine Components Disassembled View Budget-Friendly Options
 6. Navigating 3 8 Ford Engine Components Disassembled View eBook Formats
 - ePub, PDF, MOBI, and More
 - 3 8 Ford Engine Components Disassembled View Compatibility with Devices
 - 3 8 Ford Engine Components Disassembled View Enhanced eBook Features
 7. Enhancing Your Reading Experience
 - Adjustable Fonts and Text Sizes of 3 8 Ford Engine Components Disassembled View
 - Highlighting and Note-Taking 3 8 Ford Engine Components Disassembled View
 - Interactive Elements 3 8 Ford Engine Components Disassembled View
 8. Staying Engaged with 3 8 Ford Engine Components Disassembled View
 - Joining Online Reading Communities
 - Participating in Virtual Book Clubs
 - Following Authors and Publishers 3 8 Ford Engine Components Disassembled View
 9. Balancing eBooks and Physical Books 3 8 Ford Engine Components Disassembled View
 - Benefits of a Digital Library
 - Creating a Diverse Reading Collection 3 8 Ford Engine Components Disassembled View
 10. Overcoming Reading Challenges
 - Dealing with Digital Eye Strain
 - Minimizing Distractions
 - Managing Screen Time
 11. Cultivating a Reading Routine 3 8 Ford Engine Components Disassembled View
 - Setting Reading Goals 3 8 Ford Engine Components Disassembled View
 - Carving Out Dedicated Reading Time
 12. Sourcing Reliable Information of 3 8 Ford Engine Components Disassembled View

- Fact-Checking eBook Content of 3 8 Ford Engine Components Disassembled View
 - Distinguishing Credible Sources
13. Promoting Lifelong Learning
- Utilizing eBooks for Skill Development
 - Exploring Educational eBooks
14. Embracing eBook Trends
- Integration of Multimedia Elements
 - Interactive and Gamified eBooks

3 8 Ford Engine Components Disassembled View Introduction

In this digital age, the convenience of accessing information at our fingertips has become a necessity. Whether its research papers, eBooks, or user manuals, PDF files have become the preferred format for sharing and reading documents. However, the cost associated with purchasing PDF files can sometimes be a barrier for many individuals and organizations. Thankfully, there are numerous websites and platforms that allow users to download free PDF files legally. In this article, we will explore some of the best platforms to download free PDFs. One of the most popular platforms to download free PDF files is Project Gutenberg. This online library offers over 60,000 free eBooks that are in the public domain. From classic literature to historical documents, Project Gutenberg provides a wide range of PDF files that can be downloaded and enjoyed on various devices. The website is user-friendly and allows users to search for specific titles or browse through different categories. Another reliable platform for downloading 3 8 Ford Engine Components Disassembled View free PDF files is Open Library. With its vast collection of over 1 million eBooks, Open Library has something for every reader. The website offers a seamless experience by providing options to borrow or download PDF files. Users simply need to create a free account to access this treasure trove of knowledge. Open Library also allows users to contribute by uploading and sharing their own PDF files, making it a collaborative platform for book enthusiasts. For those interested in academic resources, there are websites dedicated to providing free PDFs of research papers and scientific articles. One such website is Academia.edu, which allows researchers and scholars to share their work with a global audience. Users can download PDF files of research papers, theses, and dissertations covering a wide range of subjects. Academia.edu also provides a platform for discussions and networking within the academic community. When it comes to downloading 3 8 Ford Engine Components Disassembled View free PDF files of magazines, brochures, and catalogs, Issuu is a popular choice. This digital publishing platform hosts a vast collection of publications from around the world. Users can search for specific titles or explore various categories and genres. Issuu offers a seamless reading experience with its user-friendly interface and allows users to download PDF files for

offline reading. Apart from dedicated platforms, search engines also play a crucial role in finding free PDF files. Google, for instance, has an advanced search feature that allows users to filter results by file type. By specifying the file type as "PDF," users can find websites that offer free PDF downloads on a specific topic. While downloading 3 8 Ford Engine Components Disassembled View free PDF files is convenient, it's important to note that copyright laws must be respected. Always ensure that the PDF files you download are legally available for free. Many authors and publishers voluntarily provide free PDF versions of their work, but it's essential to be cautious and verify the authenticity of the source before downloading 3 8 Ford Engine Components Disassembled View. In conclusion, the internet offers numerous platforms and websites that allow users to download free PDF files legally. Whether it's classic literature, research papers, or magazines, there is something for everyone. The platforms mentioned in this article, such as Project Gutenberg, Open Library, Academia.edu, and Issuu, provide access to a vast collection of PDF files. However, users should always be cautious and verify the legality of the source before downloading 3 8 Ford Engine Components Disassembled View any PDF files. With these platforms, the world of PDF downloads is just a click away.

FAQs About 3 8 Ford Engine Components Disassembled View Books

How do I know which eBook platform is the best for me? Finding the best eBook platform depends on your reading preferences and device compatibility. Research different platforms, read user reviews, and explore their features before making a choice. Are free eBooks of good quality? Yes, many reputable platforms offer high-quality free eBooks, including classics and public domain works. However, make sure to verify the source to ensure the eBook's credibility. Can I read eBooks without an eReader? Absolutely! Most eBook platforms offer web-based readers or mobile apps that allow you to read eBooks on your computer, tablet, or smartphone. How do I avoid digital eye strain while reading eBooks? To prevent digital eye strain, take regular breaks, adjust the font size and background color, and ensure proper lighting while reading eBooks. What's the advantage of interactive eBooks? Interactive eBooks incorporate multimedia elements, quizzes, and activities, enhancing the reader engagement and providing a more immersive learning experience. 3 8 Ford Engine Components Disassembled View is one of the best books in our library for free trial. We provide a copy of 3 8 Ford Engine Components Disassembled View in digital format, so the resources that you find are reliable. There are also many eBooks related to 3 8 Ford Engine Components Disassembled View. Where to download 3 8 Ford Engine Components Disassembled View online for free? Are you looking for 3 8 Ford Engine Components Disassembled View PDF? This is definitely going to save you time and cash in something you should think about.

Find 3 8 Ford Engine Components Disassembled View :

[entrepreneurs 43-2397 retirement planning explained for entrepreneurs](#)
guide for creators 43-302 fitness routines guide for entrepreneurs
[chatbot development step by step for startups 43-2211 chatbot](#)
marketing trends USA 43-2362 content marketing trends United States
~~stock market for beginners for entrepreneurs 43-745 stock market guide~~
marketplace review United States 43-1733 NFT marketplace review United
budget travel for beginners United States 43-257 budget travel for
science careers ideas for entrepreneurs 43-1436 data science careers
NFT marketplace for beginners for creators 43-2722 NFT marketplace for
[ideas strategies for startups 43-2106 mobile app ideas strategies for](#)
[mobile app ideas checklist United States 43-915 mobile app ideas](#)
43-2634 luxury travel tools USA 43-934 luxury travel tools for creators
[Instagram growth tools America 43-2055 Instagram growth tools for](#)
entrepreneurs 43-1302 crypto trading step by step for entrepreneurs
43-608 affiliate marketing tools America 43-1403 affiliate marketing

3 8 Ford Engine Components Disassembled View :

iras audit on beauty and wellness industry - Oct 04 2022

web health treatments massage and spa services these shops i e beauty salons slimming centres spas hairdressing shops
massage parlours foot reflexology and fitness

employment certificate salon and spa stage gapinc com - Mar 29 2022

web employment certificate salon and spa 3 3 rarely advertised and get specific strategies to help you break in you will learn
how to make your application stand out how to find

employment certificate salon and spa - Jul 01 2022

web said the employment certificate salon and spa is universally compatible in imitation of any devices to read the beauty
industry survival guide tina alberino 2015 01 01 my

singapore employment pass ep application how to apply - Aug 02 2022

web holds a degree diploma or technical certificate with basic requirement of at least 1 year of full time study and relevant

work experience employment pass 4 500

[top 10 salon assistant certifications resumecat](#) - Dec 26 2021

web jul 8 2023 answer having a salon assistant certification can open up more job opportunities in salons and spas as well as increase your salary potential due to having

employment pass singapore how to apply - Nov 24 2021

web to apply for an employment pass in singapore a company or a registered employment agent must complete the following six steps step 1 submit an application step 2

free pdf download employmentcertificatesalonandspa - Feb 25 2022

web synoptic end test hair salon and day spa aug 08 2023 the experts at entrepreneur provide a two part guide to success first learn how you can make money while making

[employment certificate salon and spa pdf](#) - Feb 08 2023

web successful salon and spa management may 27 2022 creating a salon or spa from scratch can be a daunting task successful salon and spa management sixth edition

[employment certification letter in singapore download](#) - Apr 10 2023

web an employment certification letter is a proof of employment in that company employees may need such letters of employment to present to third parties such as financial

download free employment certificate salon and spa - Apr 29 2022

web salon and spa dec 20 2021 this first of its kind guide will show nail salon owners and managers how to transform common hand and nail services into the therapeutic beauty

starting a beauty wellness business in singapore - May 11 2023

web it is common to see men visiting beauty and wellness centers there is no doubt sg company incorporation in this industry has a positive outlook here is the guide on

[list of recognised certifications singapore police force](#) - Dec 06 2022

web 7 higher nitec in beauty spa management 8 higher nitec in beauty wellness management 9 diploma in wellness lifestyle and spa management wellness and spa

[massage and spa license in singapore a business guide](#) - Oct 16 2023

web jul 23 2023 whether operating a hotel that provides spa and massage services or running a salon you must apply for a massage establishment license from the singapore police

[list of certifications recognised by police](#) - Jan 07 2023

web may 9 2022 10 diploma in wellness lifestyle and spa management wellness and spa therapy treatments and practices

republic polytechnic rp 11 diploma in wellness

singapore employment pass guide 2023 eligibility - May 31 2022

web oct 2 2023 the employer or employment agent must submit the following documents to the ministry of manpower to apply for ep copy of the candidate s updated resume

free spa certificate template download in word google - Jan 27 2022

web spa certificate templates you can create spa certificates with the correct organization name certificate title recipient name location date signature and reason for

455 spa jobs employment october 31 2023 indeed com - Nov 05 2022

web spa protocols and accepted certification practices assist in all areas of spa operation as requested by management

spa businesses licenses and permits corporateguide singapore - Sep 15 2023

web if a business intends to open to offer massage services reflexology nail salon services and others the business must first secure a license according to the massage establishment

downloadable free pdfs employment certificate salon and spa - Aug 14 2023

web employment certificate salon and spa beauty therapy level 2 aug 10 2021 written specially for the new technical certificate in beauty therapy this book will provide your

singapore spa institute spa beauty and wellness - Jun 12 2023

web ssi offers an extensive range of training programmes from certificate to diploma levels catering to everyone in the spa and wellness industry regardless whether they are new

employment certificate salon and spa stage gapinc com - Sep 03 2022

web day spa more milady s standard esthetics advanced vtac eguide 2016 canadian labour law reporter opportunities in beauty culture careers weekly retail sales

massage establishment licence employee registration - Mar 09 2023

web apply for massage establishment licence employee registration singapore police force spf for business users only this licence is only for business users with a registered

massage establishment licence singapore police force - Jul 13 2023

web spf massage establishment licence i d like to know overview a massage establishment licence is required if you intend to carry on the business of providing massage1 services

method statement road work pdf asphalt road surface - May 31 2022

web 7 3 base course a placing of aggregate road base course shall be laid in layers of uniform thickness b any unsuitable materials shall be removed prior to start base course c

roadworks method statement hq - Feb 08 2023

web 1 purpose to document the method and processes to be used to achieve the construction of 22km of machongwe rusitu mission road and stabilization the slopes of all rock

[mawar khayalan method statement roadworks blogger](#) - Dec 26 2021

web method statement for concrete retaining walls introduction generally the entire construction project involves surveying the following steps are proceed in road

method statement road method statement roadworks 1 0 - Jan 27 2022

web 1 0 objective this work method statement is to outline the apply and lay pavement for the road construction consisting of sub base of granular material road base of crusher

method statement roadworks acdc lane draft pdf scribd - Aug 02 2022

web method statement roadwork 1 0 objective this work method statement is to outline the apply and lay pavement for the road construction consisting of sub base of

road construction method statement method - Aug 14 2023

web this road construction method statement shall apply for all roadworks the intention of this work method statement is to give general guideline for the roadwork construction details of the procedures contained herein may be modified based upon actual ground

method statement road works pdf asphalt road surface - Nov 24 2021

method statement road construction pdf road concrete - Dec 06 2022

web method statement for road and pavement work f content section 1 0 introduction 2 0 machineries 3 0 subgrade formation layer 4 0 subbase and roadbase layer 5 0 prime

[method statement for road works bibloteka](#) - Jul 13 2023

web method statement roadworks 1 0 objective this work method statement is to outline the apply and lay pavement for the road construction consisting of sub base of

pdf method statement road works pdfslide net - May 11 2023

web below work method statement outlines the steps to apply and lay pavement for the road construction consisting sub base of granular material road base of crusher run asphaltic

roadworks page 3 method statement hq - Apr 29 2022

web the purpose of this roadworks method statement is to describe the activities sequence and methods that are mandatory for carrying out the standard placement of subbase

roadworks page 4 method statement hq - Feb 25 2022

web dec 7 2013 this work method statement is to outline the apply and lay pavement for the road construction consisting of sub base of granular material road base of crusher run

method statement for road works pdf construction - Mar 29 2022

web method statement roadworks 1 0 objective this work method statement is to outline the apply and lay pavement for the road construction consisting of sub base of

method statements of road works pdf quality assurance - Jul 01 2022

web below is a brief method statement for road markings and road signs the method will ensure the quality of work in accordance with the contract requirements and applicable

method statement of temporary traffic - Sep 03 2022

web list of method statements of road works is define general idea of works how to carry out when it is preparing for the certain project it has to be considered that standard

road works method statement hq - Nov 05 2022

web this has been prepared to indentify the work stages and the construction methodology for the work adjacent to the existing road are carried out in compliance traffic requirement

method statement for road and pavement work project - Oct 04 2022

web method of statement for roadworks prepared by review by approved by tirmidzi consultant representative s o representative jayawaris general contractor

road construction method statement hq - Jan 07 2023

web method statement for placement of sub base and road base the purpose of this roadworks method statement is to describe the activities sequence and methods that

60079129 method statements of road works 1 academia edu - Oct 24 2021

roadworks road construction method statement project - Mar 09 2023

web road construction method statement below is very brief road construction work method statement that outlines the complete process from laying the sub base to the laying of

roadworks method statement template haspod - Jun 12 2023

web explore our range of civil road works safe work method statements swms templates instant download add your company logo fully customisable 2023 compliant

civil road works swms safe work method statement - Apr 10 2023

guide joy koli math bichitra fre pdf as you such as

joy koli math bichitra fre pdf 2023 severetth com - Oct 09 2022

jul 8 2023 we allow joy koli math bichitra fre pdf and numerous book collections from fictions to scientific research in any way in the midst of them is this joy koli math bichitra fre pdf that can be your partner

joy koli math bichitra fre pdf book - Aug 19 2023

may 25 2023 web joy koli math bichitra fre keywords koli fre math joy bichitra created date 3 21 2023 9 21 04 pm joy ko li web joy ko li is an artist and educator her teaching research and writing explore the use of computation and

joy koli math bichitra fre pqr uiaf gov co - Nov 10 2022

keenness of this joy koli math bichitra fre can be taken as competently as picked to act the travels of monsieur de thévenot into the levant jean de thévenot 1687 workshop statistics allan j rossman 2001 05 18 this book focuses on probability and the bayesian viewpoint it presents basic material on probability and then introduces

joy koli math bichitra fre prospectus camre ac - Mar 02 2022

jun 15 2023 contract can be gotten by just checking out a book joy koli math bichitra fre moreover it is not directly done you could believe even more roughly this life nearly the world

joy koli math bichitra fre copy alpaca awamaki - Jun 05 2022

2 joy koli math bichitra fre 2019 10 03 sikhs in australia d k printword 2015 for his work in education and for the indian community jayant was awarded the order of australia medal oam in 2011 ian mabbett has taught asian history at monash university melbourne australia since 1965 where he remains an adjunct research fellow he has

download joykoly bangla bichitra - May 04 2022

download joykoly bangla bichitra pdf january

joy koli math bichitra fre admission sust edu - Dec 11 2022

title joy koli math bichitra fre author admission sust edu 2022 10 16 01 38 06 subject joy koli math bichitra fre keywords joy koli math bichitra fre

joy koli math bichitra fre speakings gestamp - Jul 06 2022

jun 6 2023 this joy koli math bichitra fre as one of the bulk working sellers here will totally be paired with by the best possibilities to review its for that cause undoubtedly straightforward and as a effect information isnt it

joy koli math bichitra fre online kptm edu my - Feb 13 2023

joy koli math bichitra fre author online kptm edu my 2023 10 14 01 45 52 subject joy koli math bichitra fre keywords joy koli math bichitra fre created date 10 14 2023 1 45 52 am

joy koli math bichitra fre pdf download only elfuturopintabien - Jul 18 2023

title joy koli math bichitra fre pdf download only elfuturopintabien pintuco com co created date 10 19 2023 3 05 16 am

joy koli math bichitra fre pdf 2023 gestudy byu edu - Mar 14 2023

ebook joy koli math bichitra fre pdf moreover it is not directly done you could understand even more roughly this life around the world we offer you this proper as well as simple artifice to get those all we manage to pay for joy koli math bichitra fre pdf and numerous books collections from fictions to scientific research in any way in the