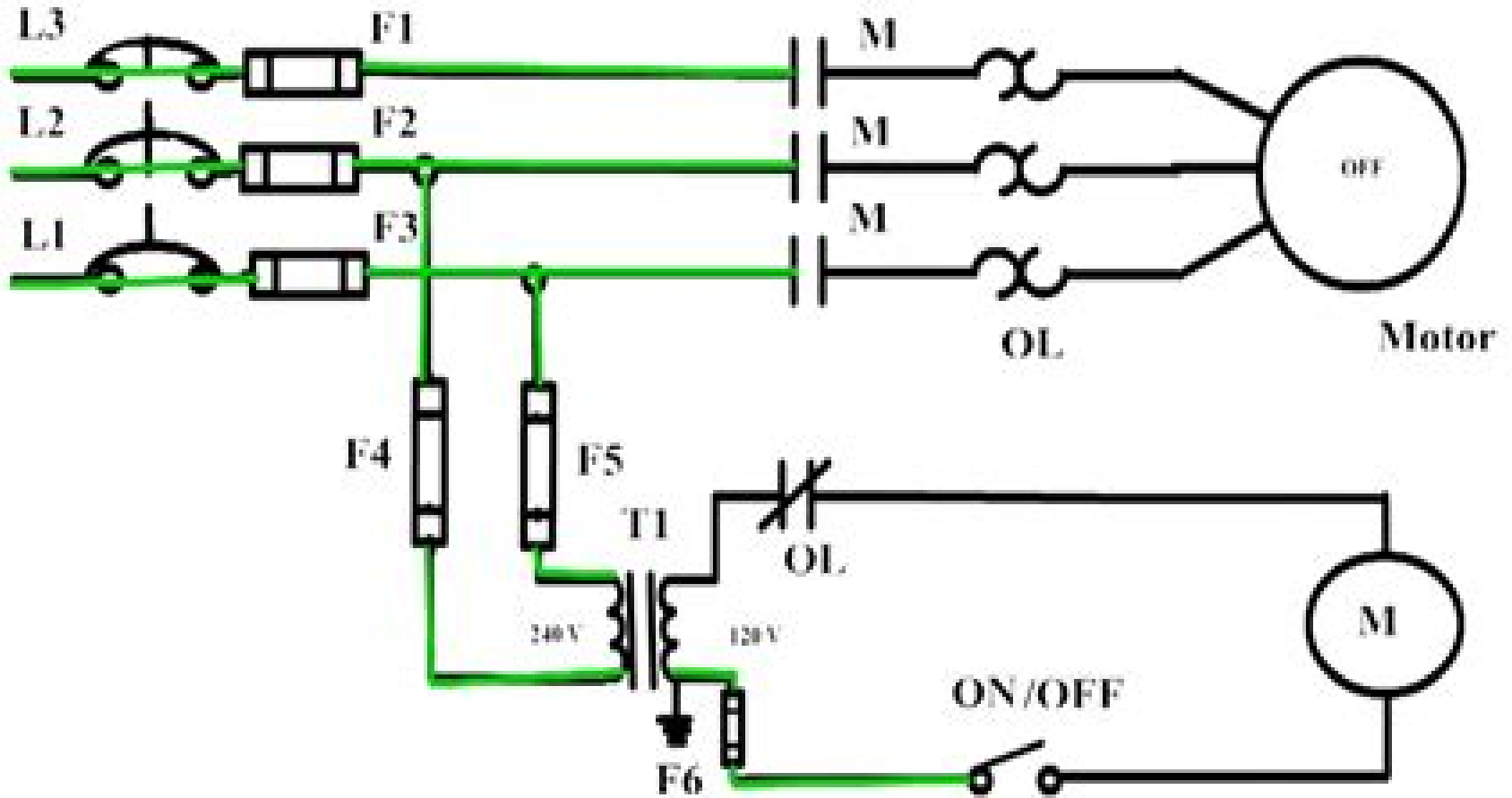


3 Phase Motor Control Circuit



3 Phase Motor Control And Power Diagram

Katrin Zwirgmaier



3 Phase Motor Control And Power Diagram:

The Enigmatic Realm of **3 Phase Motor Control And Power Diagram**: Unleashing the Language is Inner Magic

In a fast-paced digital era where connections and knowledge intertwine, the enigmatic realm of language reveals its inherent magic. Its capacity to stir emotions, ignite contemplation, and catalyze profound transformations is nothing short of extraordinary. Within the captivating pages of **3 Phase Motor Control And Power Diagram** a literary masterpiece penned with a renowned author, readers attempt a transformative journey, unlocking the secrets and untapped potential embedded within each word. In this evaluation, we shall explore the book's core themes, assess its distinct writing style, and delve into its lasting impact on the hearts and minds of those that partake in its reading experience.

https://py.bijouxmedusa.com/files/publication/HomePages/galgotia_question_bank_in_electrical_and_electronics_engineering.pdf

Table of Contents 3 Phase Motor Control And Power Diagram

1. Understanding the eBook 3 Phase Motor Control And Power Diagram
 - The Rise of Digital Reading 3 Phase Motor Control And Power Diagram
 - Advantages of eBooks Over Traditional Books
2. Identifying 3 Phase Motor Control And Power Diagram
 - Exploring Different Genres
 - Considering Fiction vs. Non-Fiction
 - Determining Your Reading Goals
3. Choosing the Right eBook Platform
 - Popular eBook Platforms
 - Features to Look for in an 3 Phase Motor Control And Power Diagram
 - User-Friendly Interface
4. Exploring eBook Recommendations from 3 Phase Motor Control And Power Diagram
 - Personalized Recommendations
 - 3 Phase Motor Control And Power Diagram User Reviews and Ratings

- 3 Phase Motor Control And Power Diagram and Bestseller Lists
- 5. Accessing 3 Phase Motor Control And Power Diagram Free and Paid eBooks
 - 3 Phase Motor Control And Power Diagram Public Domain eBooks
 - 3 Phase Motor Control And Power Diagram eBook Subscription Services
 - 3 Phase Motor Control And Power Diagram Budget-Friendly Options
- 6. Navigating 3 Phase Motor Control And Power Diagram eBook Formats
 - ePub, PDF, MOBI, and More
 - 3 Phase Motor Control And Power Diagram Compatibility with Devices
 - 3 Phase Motor Control And Power Diagram Enhanced eBook Features
- 7. Enhancing Your Reading Experience
 - Adjustable Fonts and Text Sizes of 3 Phase Motor Control And Power Diagram
 - Highlighting and Note-Taking 3 Phase Motor Control And Power Diagram
 - Interactive Elements 3 Phase Motor Control And Power Diagram
- 8. Staying Engaged with 3 Phase Motor Control And Power Diagram
 - Joining Online Reading Communities
 - Participating in Virtual Book Clubs
 - Following Authors and Publishers 3 Phase Motor Control And Power Diagram
- 9. Balancing eBooks and Physical Books 3 Phase Motor Control And Power Diagram
 - Benefits of a Digital Library
 - Creating a Diverse Reading Collection 3 Phase Motor Control And Power Diagram
- 10. Overcoming Reading Challenges
 - Dealing with Digital Eye Strain
 - Minimizing Distractions
 - Managing Screen Time
- 11. Cultivating a Reading Routine 3 Phase Motor Control And Power Diagram
 - Setting Reading Goals 3 Phase Motor Control And Power Diagram
 - Carving Out Dedicated Reading Time
- 12. Sourcing Reliable Information of 3 Phase Motor Control And Power Diagram
 - Fact-Checking eBook Content of 3 Phase Motor Control And Power Diagram
 - Distinguishing Credible Sources

13. Promoting Lifelong Learning
 - Utilizing eBooks for Skill Development
 - Exploring Educational eBooks
14. Embracing eBook Trends
 - Integration of Multimedia Elements
 - Interactive and Gamified eBooks

3 Phase Motor Control And Power Diagram Introduction

In today's digital age, the availability of 3 Phase Motor Control And Power Diagram books and manuals for download has revolutionized the way we access information. Gone are the days of physically flipping through pages and carrying heavy textbooks or manuals. With just a few clicks, we can now access a wealth of knowledge from the comfort of our own homes or on the go. This article will explore the advantages of 3 Phase Motor Control And Power Diagram books and manuals for download, along with some popular platforms that offer these resources. One of the significant advantages of 3 Phase Motor Control And Power Diagram books and manuals for download is the cost-saving aspect. Traditional books and manuals can be costly, especially if you need to purchase several of them for educational or professional purposes. By accessing 3 Phase Motor Control And Power Diagram versions, you eliminate the need to spend money on physical copies. This not only saves you money but also reduces the environmental impact associated with book production and transportation. Furthermore, 3 Phase Motor Control And Power Diagram books and manuals for download are incredibly convenient. With just a computer or smartphone and an internet connection, you can access a vast library of resources on any subject imaginable. Whether you're a student looking for textbooks, a professional seeking industry-specific manuals, or someone interested in self-improvement, these digital resources provide an efficient and accessible means of acquiring knowledge. Moreover, PDF books and manuals offer a range of benefits compared to other digital formats. PDF files are designed to retain their formatting regardless of the device used to open them. This ensures that the content appears exactly as intended by the author, with no loss of formatting or missing graphics. Additionally, PDF files can be easily annotated, bookmarked, and searched for specific terms, making them highly practical for studying or referencing. When it comes to accessing 3 Phase Motor Control And Power Diagram books and manuals, several platforms offer an extensive collection of resources. One such platform is Project Gutenberg, a nonprofit organization that provides over 60,000 free eBooks. These books are primarily in the public domain, meaning they can be freely distributed and downloaded. Project Gutenberg offers a wide range of classic literature, making it an excellent resource for literature enthusiasts. Another popular platform for 3 Phase Motor Control And Power Diagram books and manuals is Open Library. Open Library is an initiative of the Internet Archive, a non-profit organization dedicated to

digitizing cultural artifacts and making them accessible to the public. Open Library hosts millions of books, including both public domain works and contemporary titles. It also allows users to borrow digital copies of certain books for a limited period, similar to a library lending system. Additionally, many universities and educational institutions have their own digital libraries that provide free access to PDF books and manuals. These libraries often offer academic texts, research papers, and technical manuals, making them invaluable resources for students and researchers. Some notable examples include MIT OpenCourseWare, which offers free access to course materials from the Massachusetts Institute of Technology, and the Digital Public Library of America, which provides a vast collection of digitized books and historical documents. In conclusion, 3 Phase Motor Control And Power Diagram books and manuals for download have transformed the way we access information. They provide a cost-effective and convenient means of acquiring knowledge, offering the ability to access a vast library of resources at our fingertips. With platforms like Project Gutenberg, Open Library, and various digital libraries offered by educational institutions, we have access to an ever-expanding collection of books and manuals. Whether for educational, professional, or personal purposes, these digital resources serve as valuable tools for continuous learning and self-improvement. So why not take advantage of the vast world of 3 Phase Motor Control And Power Diagram books and manuals for download and embark on your journey of knowledge?

FAQs About 3 Phase Motor Control And Power Diagram Books

How do I know which eBook platform is the best for me? Finding the best eBook platform depends on your reading preferences and device compatibility. Research different platforms, read user reviews, and explore their features before making a choice. Are free eBooks of good quality? Yes, many reputable platforms offer high-quality free eBooks, including classics and public domain works. However, make sure to verify the source to ensure the eBook credibility. Can I read eBooks without an eReader? Absolutely! Most eBook platforms offer web-based readers or mobile apps that allow you to read eBooks on your computer, tablet, or smartphone. How do I avoid digital eye strain while reading eBooks? To prevent digital eye strain, take regular breaks, adjust the font size and background color, and ensure proper lighting while reading eBooks. What the advantage of interactive eBooks? Interactive eBooks incorporate multimedia elements, quizzes, and activities, enhancing the reader engagement and providing a more immersive learning experience. 3 Phase Motor Control And Power Diagram is one of the best book in our library for free trial. We provide copy of 3 Phase Motor Control And Power Diagram in digital format, so the resources that you find are reliable. There are also many Ebooks of related with 3 Phase Motor Control And Power Diagram. Where to download 3 Phase Motor Control And Power Diagram online for free? Are you looking for 3 Phase Motor Control And Power Diagram PDF? This is definitely going to save you time and cash in something you should

think about.

Find 3 Phase Motor Control And Power Diagram :

galgotia question bank in electrical and electronics engineering

~~framework for animal food crossword answer~~

fundamentals of infection prevention and control theory and practice

frederick douglass learning to read and write analysis

fyjc book keeping 11th target

fruit list with english vocabulary learning english

fountas and pinnell level chart appendix

fpso handbook

fundamentals of human physiology stuart ira fox

gcse french speaking booklet modules 1 to 4 kinged

funny quotes good for facebook status

gamelin complex analysis solutions manual

full vehicle nvh analysis with rolling tires

fundamentals of differential equations 8th edition solution manual

pdf uglis electrical reference 2014 pdf

3 Phase Motor Control And Power Diagram :

TGB BLADE 250 SERVICE MANUAL Pdf Download View and Download TGB BLADE 250 service manual online. TAIWAN GOLDEN BEE ATV. BLADE 250 offroad vehicle pdf manual download. Tgb BLADE 250 Manuals Manuals and User Guides for TGB BLADE 250. We have 2 TGB BLADE 250 manuals available for free PDF download: Service Manual · 2. Maintenance Information · 3. TGB Blade 250 Service Manual | PDF | Carburetor | Motor Oil This service manual contains the technical data of each component inspection and repair for the BLADE 250 ATV. The manual is shown with illustrations and ... TGB Blade 250 ATV Service Manual TGB Blade 250 ATV Service Manual ; Quantity. 2 available ; Item Number. 165626668714 ; Charity. 1.0% will support The Young Center for Immigrant Childrens Rights. SERVICE MANUAL Jan 4, 2021 — This service manual contains the technical data of each component inspection and repairs for the. ATV. The manual is shown with illustrations ... Pin on TGB May 24, 2020 — This is the COMPLETE Service Repair Manual for the TGB Blade 250 ATV. It

3 Phase Motor Control And Power Diagram

Covers complete tear down and rebuild, pictures and part diagrams, ... Tgb Blade 250 Atv Service Repair Manual Tgb Blade 250 Atv repair manual download. Type: PDF, zipped size: 6.98MB. Comes with highly detailed illustrations and step by step instructions. TGB Blade 250 300 Electronic Service Manual English ... This is Electronic service manual for for English version only, after you made an order, please provide your valid email for receiving the service manual. If ... TGB Quad & Atv (250, 325, 425) - Service Manual - YouTube Color Revival 3rd Edition: Understanding ... Color Analysis is the art and science of looking at one's hair, eyes and skin to determine their natural coloring, or 'season'. Color Revival 3rd Edition: Understanding Advanced ... Updated edition of "Color Revival: Understanding the advanced 12 & 16 season color analysis theory". Color Analysis is the art and science of looking at ... Color Revival 3rd Edition: Understanding Advanced ... Color Revival 3rd Edition: Understanding Advanced Seasonal Color Analysis Theory by Lora Alexander (2014-03-22) on Amazon.com. *FREE* shipping on qualifying ... Color Revival 3rd Edition: Understanding Advanced ... Updated edition of "Color Revival: Understanding the advanced 12 & 16 season color analysis theory." Color Analysis is the art and science of looking at ... Color Revival 3rd Edition: Understanding Advanced ... Home EB-Books Color Revival 3rd Edition: Understanding Advanced Seasonal Color Analysis Theory ; Stock Photo · Cover May Be Different ; ISBN 10: 1478300604 ; ISBN 13 ... Understanding Advanced Color Analysis 4th Ed. ... "Color Revival" is all about Color Analysis. From the simplest concepts to the most complex, you will learn how to use color to look your absolute best. Book: Color Revival by Lora Alexander Sep 8, 2015 — Today, it arrived! The last of the color analysis books I have recently bought. "Color Revival" -- "Understanding advanced color analysis". Understanding the 12 Season Color Analysis System ... Dec 10, 2009 — Easy to understand charts and photos help explain it in its simplest terms. Included are full palettes for each of the 12 seasons, as well as ... Colour Third Edition Colour Third Edition. A workshop for artists, designers ... colour theory and practice to inspire confidence and understanding in anyone working with colour. The ROV Manual by RD Christ · Cited by 305 — A User Guide for Remotely Operated Vehicles ... Authors: Robert D. Christ and Robert L. Wernli, Sr. The ROV Manual. The ROV Manual: A User Guide for Observation-Class ... The ROV Manual: A User Guide for. Observation-Class Remotely Operated. Vehicles. Page 3. This page intentionally left blank. Page 4. The ROV Manual: A User. The ROV Manual: A User Guide for Remotely Operated ... The ROV Manual: A User Guide for Remotely Operated Vehicles [Christ, Robert D, Wernli Sr, Robert L.] on Amazon.com. *FREE* shipping on qualifying offers. The ROV Manual - 2nd Edition The ROV Manual · A User Guide for Remotely Operated Vehicles · Purchase options · Save 50% on book bundles · Useful links · Quick help · Solutions · About. The ROV Manual: A User Guide for... by Christ, Robert D It serves as a user guide that offers complete training and information about ROV operations for technicians, underwater activities enthusiasts, and engineers ... The ROV Manual - 1st Edition It serves as a user guide that offers complete training and information about ROV operations for technicians, underwater activities enthusiasts, and engineers ... The ROV Manual: A User Guide for Observation Class ... Apr 1, 2011 — It serves as a user guide that offers

complete training and information about ROV operations for technicians, underwater activities enthusiasts, ... The ROV Manual: A User Guide for Observation Class ... The ROV Manual: A User Guide for Observation-Class Remotely Operated Vehicles is the first manual to provide a basic "How To" for using small observation. The ROV Manual eBook by Robert D Christ - EPUB Book It serves as a user guide that offers complete training and information about ROV operations for technicians, underwater activities enthusiasts, and engineers ... The ROV Manual This comprehensive guide provides complete training and knowledge on ROV operations for engineers, technicians or underwater recreational enthusiasts, whether ...