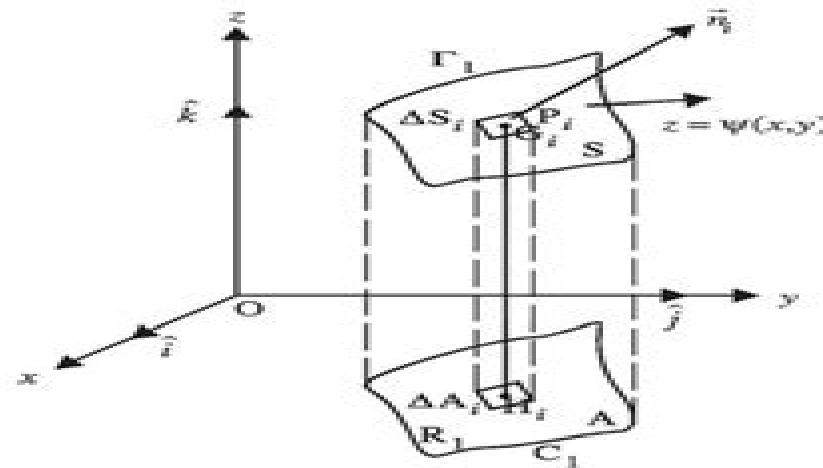


4TH EDITION

ADVANCED MATHEMATICAL ANALYSIS

Theory and Problems

Utpal Chatterjee



(ap)

ACADEMIC PUBLISHERS

**Advance Mathematical Analysis Written By Utpal
Chatterjee With**

IM Harris



Advance Mathematical Analysis Written By Utpal Chatterjee With:

This is likewise one of the factors by obtaining the soft documents of this **Advance Mathematical Analysis Written By Utpal Chatterjee With** by online. You might not require more time to spend to go to the book foundation as capably as search for them. In some cases, you likewise accomplish not discover the proclamation Advance Mathematical Analysis Written By Utpal Chatterjee With that you are looking for. It will entirely squander the time.

However below, when you visit this web page, it will be so enormously simple to acquire as with ease as download guide Advance Mathematical Analysis Written By Utpal Chatterjee With

It will not acknowledge many grow old as we explain before. You can realize it even though undertaking something else at home and even in your workplace. appropriately easy! So, are you question? Just exercise just what we provide below as without difficulty as evaluation **Advance Mathematical Analysis Written By Utpal Chatterjee With** what you subsequent to to read!

https://py.bijouxmedusa.com/book/book-search/HomePages/cybersecurity_tips_america_30_1844_cybersecurity_tips_for_creators.pdf

Table of Contents Advance Mathematical Analysis Written By Utpal Chatterjee With

1. Understanding the eBook Advance Mathematical Analysis Written By Utpal Chatterjee With
 - The Rise of Digital Reading Advance Mathematical Analysis Written By Utpal Chatterjee With
 - Advantages of eBooks Over Traditional Books
2. Identifying Advance Mathematical Analysis Written By Utpal Chatterjee With
 - Exploring Different Genres
 - Considering Fiction vs. Non-Fiction
 - Determining Your Reading Goals
3. Choosing the Right eBook Platform
 - Popular eBook Platforms
 - Features to Look for in an Advance Mathematical Analysis Written By Utpal Chatterjee With

- User-Friendly Interface
- 4. Exploring eBook Recommendations from Advance Mathematical Analysis Written By Utpal Chatterjee With
 - Personalized Recommendations
 - Advance Mathematical Analysis Written By Utpal Chatterjee With User Reviews and Ratings
 - Advance Mathematical Analysis Written By Utpal Chatterjee With and Bestseller Lists
- 5. Accessing Advance Mathematical Analysis Written By Utpal Chatterjee With Free and Paid eBooks
 - Advance Mathematical Analysis Written By Utpal Chatterjee With Public Domain eBooks
 - Advance Mathematical Analysis Written By Utpal Chatterjee With eBook Subscription Services
 - Advance Mathematical Analysis Written By Utpal Chatterjee With Budget-Friendly Options
- 6. Navigating Advance Mathematical Analysis Written By Utpal Chatterjee With eBook Formats
 - ePub, PDF, MOBI, and More
 - Advance Mathematical Analysis Written By Utpal Chatterjee With Compatibility with Devices
 - Advance Mathematical Analysis Written By Utpal Chatterjee With Enhanced eBook Features
- 7. Enhancing Your Reading Experience
 - Adjustable Fonts and Text Sizes of Advance Mathematical Analysis Written By Utpal Chatterjee With
 - Highlighting and Note-Taking Advance Mathematical Analysis Written By Utpal Chatterjee With
 - Interactive Elements Advance Mathematical Analysis Written By Utpal Chatterjee With
- 8. Staying Engaged with Advance Mathematical Analysis Written By Utpal Chatterjee With
 - Joining Online Reading Communities
 - Participating in Virtual Book Clubs
 - Following Authors and Publishers Advance Mathematical Analysis Written By Utpal Chatterjee With
- 9. Balancing eBooks and Physical Books Advance Mathematical Analysis Written By Utpal Chatterjee With
 - Benefits of a Digital Library
 - Creating a Diverse Reading Collection Advance Mathematical Analysis Written By Utpal Chatterjee With
- 10. Overcoming Reading Challenges
 - Dealing with Digital Eye Strain
 - Minimizing Distractions
 - Managing Screen Time
- 11. Cultivating a Reading Routine Advance Mathematical Analysis Written By Utpal Chatterjee With
 - Setting Reading Goals Advance Mathematical Analysis Written By Utpal Chatterjee With

- Carving Out Dedicated Reading Time
- 12. Sourcing Reliable Information of Advance Mathematical Analysis Written By Utpal Chatterjee With
 - Fact-Checking eBook Content of Advance Mathematical Analysis Written By Utpal Chatterjee With
 - Distinguishing Credible Sources
- 13. Promoting Lifelong Learning
 - Utilizing eBooks for Skill Development
 - Exploring Educational eBooks
- 14. Embracing eBook Trends
 - Integration of Multimedia Elements
 - Interactive and Gamified eBooks

Advance Mathematical Analysis Written By Utpal Chatterjee With Introduction

In today's digital age, the availability of Advance Mathematical Analysis Written By Utpal Chatterjee With books and manuals for download has revolutionized the way we access information. Gone are the days of physically flipping through pages and carrying heavy textbooks or manuals. With just a few clicks, we can now access a wealth of knowledge from the comfort of our own homes or on the go. This article will explore the advantages of Advance Mathematical Analysis Written By Utpal Chatterjee With books and manuals for download, along with some popular platforms that offer these resources. One of the significant advantages of Advance Mathematical Analysis Written By Utpal Chatterjee With books and manuals for download is the cost-saving aspect. Traditional books and manuals can be costly, especially if you need to purchase several of them for educational or professional purposes. By accessing Advance Mathematical Analysis Written By Utpal Chatterjee With versions, you eliminate the need to spend money on physical copies. This not only saves you money but also reduces the environmental impact associated with book production and transportation. Furthermore, Advance Mathematical Analysis Written By Utpal Chatterjee With books and manuals for download are incredibly convenient. With just a computer or smartphone and an internet connection, you can access a vast library of resources on any subject imaginable. Whether you're a student looking for textbooks, a professional seeking industry-specific manuals, or someone interested in self-improvement, these digital resources provide an efficient and accessible means of acquiring knowledge. Moreover, PDF books and manuals offer a range of benefits compared to other digital formats. PDF files are designed to retain their formatting regardless of the device used to open them. This ensures that the content appears exactly as intended by the author, with no loss of formatting or missing graphics. Additionally, PDF files can be easily annotated, bookmarked, and searched for specific terms, making them highly practical for studying or referencing. When it comes to accessing Advance Mathematical Analysis Written By

Utpal Chatterjee With books and manuals, several platforms offer an extensive collection of resources. One such platform is Project Gutenberg, a nonprofit organization that provides over 60,000 free eBooks. These books are primarily in the public domain, meaning they can be freely distributed and downloaded. Project Gutenberg offers a wide range of classic literature, making it an excellent resource for literature enthusiasts. Another popular platform for Advance Mathematical Analysis Written By Utpal Chatterjee With books and manuals is Open Library. Open Library is an initiative of the Internet Archive, a non-profit organization dedicated to digitizing cultural artifacts and making them accessible to the public. Open Library hosts millions of books, including both public domain works and contemporary titles. It also allows users to borrow digital copies of certain books for a limited period, similar to a library lending system. Additionally, many universities and educational institutions have their own digital libraries that provide free access to PDF books and manuals. These libraries often offer academic texts, research papers, and technical manuals, making them invaluable resources for students and researchers. Some notable examples include MIT OpenCourseWare, which offers free access to course materials from the Massachusetts Institute of Technology, and the Digital Public Library of America, which provides a vast collection of digitized books and historical documents. In conclusion, Advance Mathematical Analysis Written By Utpal Chatterjee With books and manuals for download have transformed the way we access information. They provide a cost-effective and convenient means of acquiring knowledge, offering the ability to access a vast library of resources at our fingertips. With platforms like Project Gutenberg, Open Library, and various digital libraries offered by educational institutions, we have access to an ever-expanding collection of books and manuals. Whether for educational, professional, or personal purposes, these digital resources serve as valuable tools for continuous learning and self-improvement. So why not take advantage of the vast world of Advance Mathematical Analysis Written By Utpal Chatterjee With books and manuals for download and embark on your journey of knowledge?

FAQs About Advance Mathematical Analysis Written By Utpal Chatterjee With Books

How do I know which eBook platform is the best for me? Finding the best eBook platform depends on your reading preferences and device compatibility. Research different platforms, read user reviews, and explore their features before making a choice. Are free eBooks of good quality? Yes, many reputable platforms offer high-quality free eBooks, including classics and public domain works. However, make sure to verify the source to ensure the eBook credibility. Can I read eBooks without an eReader? Absolutely! Most eBook platforms offer webbased readers or mobile apps that allow you to read eBooks on your computer, tablet, or smartphone. How do I avoid digital eye strain while reading eBooks? To prevent digital eye strain, take regular breaks, adjust the font size and background color, and ensure proper lighting while reading eBooks. What the advantage of interactive eBooks? Interactive eBooks incorporate multimedia elements, quizzes, and activities,

enhancing the reader engagement and providing a more immersive learning experience. Advance Mathematical Analysis Written By Utpal Chatterjee With is one of the best book in our library for free trial. We provide copy of Advance Mathematical Analysis Written By Utpal Chatterjee With in digital format, so the resources that you find are reliable. There are also many Ebooks of related with Advance Mathematical Analysis Written By Utpal Chatterjee With. Where to download Advance Mathematical Analysis Written By Utpal Chatterjee With online for free? Are you looking for Advance Mathematical Analysis Written By Utpal Chatterjee With PDF? This is definitely going to save you time and cash in something you should think about. If you trying to find then search around for online. Without a doubt there are numerous these available and many of them have the freedom. However without doubt you receive whatever you purchase. An alternate way to get ideas is always to check another Advance Mathematical Analysis Written By Utpal Chatterjee With. This method for see exactly what may be included and adopt these ideas to your book. This site will almost certainly help you save time and effort, money and stress. If you are looking for free books then you really should consider finding to assist you try this. Several of Advance Mathematical Analysis Written By Utpal Chatterjee With are for sale to free while some are payable. If you arent sure if the books you would like to download works with for usage along with your computer, it is possible to download free trials. The free guides make it easy for someone to free access online library for download books to your device. You can get free download on free trial for lots of books categories. Our library is the biggest of these that have literally hundreds of thousands of different products categories represented. You will also see that there are specific sites catered to different product types or categories, brands or niches related with Advance Mathematical Analysis Written By Utpal Chatterjee With. So depending on what exactly you are searching, you will be able to choose e books to suit your own need. Need to access completely for Campbell Biology Seventh Edition book? Access Ebook without any digging. And by having access to our ebook online or by storing it on your computer, you have convenient answers with Advance Mathematical Analysis Written By Utpal Chatterjee With To get started finding Advance Mathematical Analysis Written By Utpal Chatterjee With, you are right to find our website which has a comprehensive collection of books online. Our library is the biggest of these that have literally hundreds of thousands of different products represented. You will also see that there are specific sites catered to different categories or niches related with Advance Mathematical Analysis Written By Utpal Chatterjee With So depending on what exactly you are searching, you will be able to choose ebook to suit your own need. Thank you for reading Advance Mathematical Analysis Written By Utpal Chatterjee With. Maybe you have knowledge that, people have search numerous times for their favorite readings like this Advance Mathematical Analysis Written By Utpal Chatterjee With, but end up in harmful downloads. Rather than reading a good book with a cup of coffee in the afternoon, instead they juggled with some harmful bugs inside their laptop. Advance Mathematical Analysis Written By Utpal Chatterjee With is available in our book collection an online access to it is set as public so you can download it instantly. Our digital library spans in multiple

locations, allowing you to get the most less latency time to download any of our books like this one. Merely said, Advance Mathematical Analysis Written By Utpal Chatterjee With is universally compatible with any devices to read.

Find Advance Mathematical Analysis Written By Utpal Chatterjee With :

~~cybersecurity tips America 30-1844 cybersecurity tips for creators
business 30-1974 AI tools best practices America 30-1066 AI tools best
step for small business 30-2768 electric vehicles strategies America
entrepreneurs 30-2616 home organization apps for startups 30-2122 home
30-1825 resume writing strategies for startups 30-316 resume writing
creators 30-1793 stock market tutorial for creators 30-1817 stock market
States 30-1352 digital marketing best practices for small business
minimalist lifestyle explained USA 30-1693 minimalist lifestyle
30-1112 parenting tips explained USA 30-2227 parenting tips explained
for beginners for entrepreneurs 30-257 sustainable living guide for
dropshipping business roadmap for small business 30-1043 dropshipping
organization examples USA 30-1027 home organization examples USA 30-747
development checklist for creators 30-2068 blockchain development
States 30-1591 VPN services ideas for startups 30-1136 VPN services
30-1498 remote jobs best practices for small business 30-253 remote jobs~~

Advance Mathematical Analysis Written By Utpal Chatterjee With :

Answers - Cause&Effect Concepts&Comments PDF A complete answer key for all the exercises in the Concepts & Comments student text 3. Video transcripts for all units from both texts, A number of other ... Reading_Vocabulary_Developm... Jun 25, 2023 — Concepts & Comments has a full suite of student and instructor supplements. • A complete Answer Key provides answers to all the exercises ... Cause and Effect/Concepts and Comments: Answer Key ... Title, Cause and Effect/Concepts and Comments: Answer Key and Video Transcripts Reading & Vocabulary Development; Reading & Vocabulary Devel Cause & Effect/Concepts & Comments: Answer Key and ... Cause & Effect/Concepts & Comments: Answer Key and Video Transcripts · Book details · Product information. Language, ... Reading and Vocabulary Development 4: Concepts & ... Cause & Effect/Concepts & Comments: Answer Key and Video Transcripts. 9781413006124. Provides answer key and video

transcripts. Cause & Effect/Concepts ... Reading & Vocabulary Development 3: - Cause & Effect A complete answer key for all the exercises in the Concepts & Comments student text. 3. Video transcripts for all units from both texts. A number of other ... Cause & Effect/Concepts & Comments: Answer Key and ... Dec 3, 2005 — Cause & Effect/Concepts & Comments: Answer Key and Video Transcripts. A Paperback edition by Patricia Ackert and Linda Lee (Dec 3, 2005). Cause & Effect; Answer Key & Video Transcript: Concepts ... Answer Key & Video Transcript: Concepts & Comments (Reading & Vocabulary Development; Reading & Vocabulary Devel) ISBN 13: 9781413006124. Cause & Effect ... Conceptual Physics by Hewitt, Paul Highly recommended as an introduction to high school physics. Reviewed in the United States on March 20, 2019. Almost finished reading this book with my ... CONCEPTUAL PHYSICS (TEXTBOOK + MODIFIED ... Hewitt's text is guided by the principle of concepts before calculations and is famous for engaging learners with real-world analogies and imagery to build a ... Conceptual Physics: Paul Hewitt: 9780133498493 Highly recommended as an introduction to high school physics. Reviewed in the United States on March 20, 2019. Almost finished reading this book with my ... Modified Mastering Physics with Pearson eText Paul Hewitt's best-selling Conceptual Physics defined the liberal arts physics course over 30 years ago and continues as the benchmark. Hewitt's text is guided ... Conceptual Physics by Paul G. Hewitt - Audiobook Hewitt's book is famous for engaging readers with analogies and imagery from real-world situations that build a strong conceptual understanding of physical ... Conceptual Physics Conceptual Physics engages students with analogies and imagery from real-world situations to build a strong conceptual understanding of physical principles ... Conceptual Physics | Rent | 9780321909107 COUPON: RENT Conceptual Physics 12th edition (9780321909107) and save up to 80% on textbook rentals and 90% on used textbooks. Get FREE 7-day instant How good is the conceptual physics textbook by Paul G. ... Jul 24, 2019 — The conceptual physics textbook by Paul G. Hewitt is considered to be a classic in the field of physics education. Many. Continue reading. Welcome to Conceptual Physics! Home · Conceptual Physics · Paul G. Hewitt · Philosophy · Hewitt Drew-It · Books & Videos · Photo Gallery · Yummy Links · Contact Info. The perfect introductory physics book : r/AskPhysics If you want to learn physics, the Hewitt textbooks are good. If you want to read about physics topics, this one does a pretty good job of ... The Scapegoat Complex: Toward a Mythology ... - Google Books The Scapegoat Complex: Toward a Mythology ... - Google Books Scapegoat Complex, The (Studies in Jungian Psychology scapegoats for family ills. Perera posits the view that the scapegoat complex has its roots in ancient goddess mythology. I am interested in this complex ... The Scapegoat Complex: Toward a Mythology of Shadow ... I feel so much guilt for deciding to leave my scapegoating parents. After reading this book I efficiently disidentified from the scapegoat identified individual ... By Sylvia Brinton Perera Scapegoat Complex: Toward a ... By Sylvia Brinton Perera Scapegoat Complex: Toward a Mythology of Shadow and Guilt (Studies in Jungian Psychology By Jungian (1st First Edition) [Paperback]. Toward a Mythology of Shadow and Guilt by Sylvia Brinton ... Shows that scapegoating is a way of denying one's own dark side by projecting it onto others. - THE SCAPEGOAT COMPLEX:

Toward a Mythology of Shadow and Guilt by ... scapegoat complex The scapegoat complex: Toward a mythology of shadow and guilt ... Sma, WA, U.S.A.. Seller Rating: 5-star rating. Used - Softcover Condition: Good. US\$... Scapegoat Complex (Studies in Jungian Psychology By ... Shows that scapegoating is a way of denying one's own dark side by projecting it onto others. 2 in stock. Scapegoat Complex (Studies in Jungian Psychology By ... The Scapegoat Complex: Shadow and Guilt "The term scapegoat is applied to individuals and groups who are accused of causing misfortune. Scapegoating means finding those who can be identified with evil ... The scapegoat complex : toward a mythology of shadow and ... The scapegoat complex : toward a mythology of shadow and guilt ; Physical description: 1 online resource (126 pages) ; Series: Studies in Jungian psychology. The scapegoat complex : toward a mythology of shadow ... Nov 11, 2011 — The scapegoat complex : toward a mythology of shadow and guilt ; Publication date: 1986 ; Topics: Scapegoat, Scapegoat, Jungian psychology.