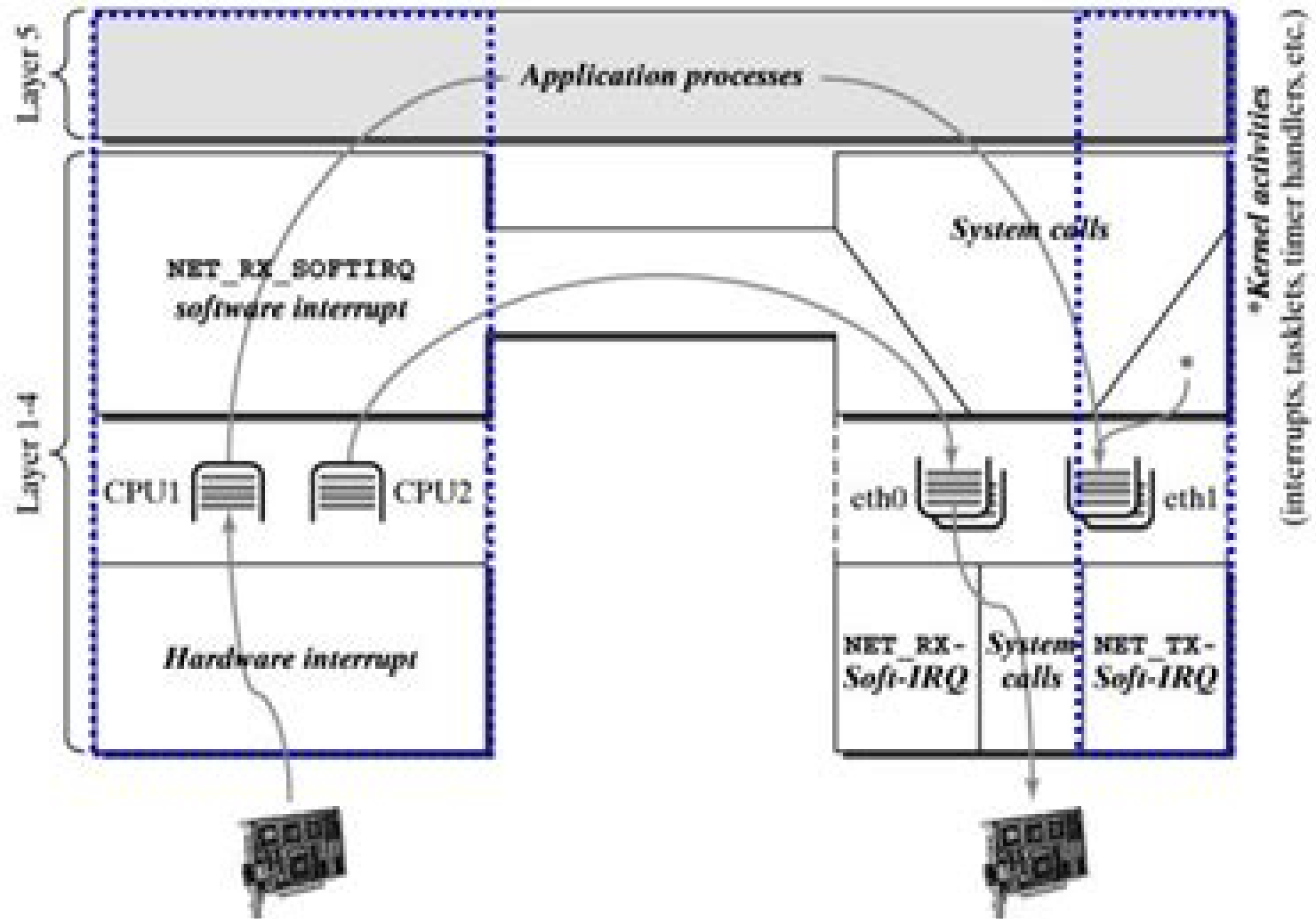


# Linux Network Activity



# Advanced Linux Networking

**Jason Edelman, Scott S. Lowe, Matt  
Oswalt**



## **Advanced Linux Networking:**

## The Enigmatic Realm of **Advanced Linux Networking**: Unleashing the Language is Inner Magic

In a fast-paced digital era where connections and knowledge intertwine, the enigmatic realm of language reveals its inherent magic. Its capacity to stir emotions, ignite contemplation, and catalyze profound transformations is nothing in short supply of extraordinary. Within the captivating pages of **Advanced Linux Networking** a literary masterpiece penned by a renowned author, readers set about a transformative journey, unlocking the secrets and untapped potential embedded within each word. In this evaluation, we shall explore the book's core themes, assess its distinct writing style, and delve into its lasting effect on the hearts and minds of those that partake in its reading experience.

[https://py.bijouxmedusa.com/results/uploaded-files/index.jsp/ba\\_english\\_1st\\_sem\\_model\\_question\\_papers.pdf](https://py.bijouxmedusa.com/results/uploaded-files/index.jsp/ba_english_1st_sem_model_question_papers.pdf)

### **Table of Contents Advanced Linux Networking**

1. Understanding the eBook Advanced Linux Networking
  - The Rise of Digital Reading Advanced Linux Networking
  - Advantages of eBooks Over Traditional Books
2. Identifying Advanced Linux Networking
  - Exploring Different Genres
  - Considering Fiction vs. Non-Fiction
  - Determining Your Reading Goals
3. Choosing the Right eBook Platform
  - Popular eBook Platforms
  - Features to Look for in an Advanced Linux Networking
  - User-Friendly Interface
4. Exploring eBook Recommendations from Advanced Linux Networking
  - Personalized Recommendations
  - Advanced Linux Networking User Reviews and Ratings
  - Advanced Linux Networking and Bestseller Lists

5. Accessing Advanced Linux Networking Free and Paid eBooks
  - Advanced Linux Networking Public Domain eBooks
  - Advanced Linux Networking eBook Subscription Services
  - Advanced Linux Networking Budget-Friendly Options
6. Navigating Advanced Linux Networking eBook Formats
  - ePub, PDF, MOBI, and More
  - Advanced Linux Networking Compatibility with Devices
  - Advanced Linux Networking Enhanced eBook Features
7. Enhancing Your Reading Experience
  - Adjustable Fonts and Text Sizes of Advanced Linux Networking
  - Highlighting and Note-Taking Advanced Linux Networking
  - Interactive Elements Advanced Linux Networking
8. Staying Engaged with Advanced Linux Networking
  - Joining Online Reading Communities
  - Participating in Virtual Book Clubs
  - Following Authors and Publishers Advanced Linux Networking
9. Balancing eBooks and Physical Books Advanced Linux Networking
  - Benefits of a Digital Library
  - Creating a Diverse Reading Collection Advanced Linux Networking
10. Overcoming Reading Challenges
  - Dealing with Digital Eye Strain
  - Minimizing Distractions
  - Managing Screen Time
11. Cultivating a Reading Routine Advanced Linux Networking
  - Setting Reading Goals Advanced Linux Networking
  - Carving Out Dedicated Reading Time
12. Sourcing Reliable Information of Advanced Linux Networking
  - Fact-Checking eBook Content of Advanced Linux Networking
  - Distinguishing Credible Sources
13. Promoting Lifelong Learning

- Utilizing eBooks for Skill Development
  - Exploring Educational eBooks
14. Embracing eBook Trends
- Integration of Multimedia Elements
  - Interactive and Gamified eBooks

### **Advanced Linux Networking Introduction**

In this digital age, the convenience of accessing information at our fingertips has become a necessity. Whether its research papers, eBooks, or user manuals, PDF files have become the preferred format for sharing and reading documents. However, the cost associated with purchasing PDF files can sometimes be a barrier for many individuals and organizations. Thankfully, there are numerous websites and platforms that allow users to download free PDF files legally. In this article, we will explore some of the best platforms to download free PDFs. One of the most popular platforms to download free PDF files is Project Gutenberg. This online library offers over 60,000 free eBooks that are in the public domain. From classic literature to historical documents, Project Gutenberg provides a wide range of PDF files that can be downloaded and enjoyed on various devices. The website is user-friendly and allows users to search for specific titles or browse through different categories. Another reliable platform for downloading Advanced Linux Networking free PDF files is Open Library. With its vast collection of over 1 million eBooks, Open Library has something for every reader. The website offers a seamless experience by providing options to borrow or download PDF files. Users simply need to create a free account to access this treasure trove of knowledge. Open Library also allows users to contribute by uploading and sharing their own PDF files, making it a collaborative platform for book enthusiasts. For those interested in academic resources, there are websites dedicated to providing free PDFs of research papers and scientific articles. One such website is Academia.edu, which allows researchers and scholars to share their work with a global audience. Users can download PDF files of research papers, theses, and dissertations covering a wide range of subjects. Academia.edu also provides a platform for discussions and networking within the academic community. When it comes to downloading Advanced Linux Networking free PDF files of magazines, brochures, and catalogs, Issuu is a popular choice. This digital publishing platform hosts a vast collection of publications from around the world. Users can search for specific titles or explore various categories and genres. Issuu offers a seamless reading experience with its user-friendly interface and allows users to download PDF files for offline reading. Apart from dedicated platforms, search engines also play a crucial role in finding free PDF files. Google, for instance, has an advanced search feature that allows users to filter results by file type. By specifying the file type as "PDF," users can find websites that offer free PDF downloads on a specific topic. While downloading Advanced Linux Networking free PDF files is convenient, its

important to note that copyright laws must be respected. Always ensure that the PDF files you download are legally available for free. Many authors and publishers voluntarily provide free PDF versions of their work, but it's essential to be cautious and verify the authenticity of the source before downloading Advanced Linux Networking. In conclusion, the internet offers numerous platforms and websites that allow users to download free PDF files legally. Whether it's classic literature, research papers, or magazines, there is something for everyone. The platforms mentioned in this article, such as Project Gutenberg, Open Library, Academia.edu, and Issuu, provide access to a vast collection of PDF files. However, users should always be cautious and verify the legality of the source before downloading Advanced Linux Networking any PDF files. With these platforms, the world of PDF downloads is just a click away.

### FAQs About Advanced Linux Networking Books

1. Where can I buy Advanced Linux Networking books? Bookstores: Physical bookstores like Barnes & Noble, Waterstones, and independent local stores. Online Retailers: Amazon, Book Depository, and various online bookstores offer a wide range of books in physical and digital formats.
2. What are the different book formats available? Hardcover: Sturdy and durable, usually more expensive. Paperback: Cheaper, lighter, and more portable than hardcovers. E-books: Digital books available for e-readers like Kindle or software like Apple Books, Kindle, and Google Play Books.
3. How do I choose an Advanced Linux Networking book to read? Genres: Consider the genre you enjoy (fiction, non-fiction, mystery, sci-fi, etc.). Recommendations: Ask friends, join book clubs, or explore online reviews and recommendations. Author: If you like a particular author, you might enjoy more of their work.
4. How do I take care of Advanced Linux Networking books? Storage: Keep them away from direct sunlight and in a dry environment. Handling: Avoid folding pages, use bookmarks, and handle them with clean hands. Cleaning: Gently dust the covers and pages occasionally.
5. Can I borrow books without buying them? Public Libraries: Local libraries offer a wide range of books for borrowing. Book Swaps: Community book exchanges or online platforms where people exchange books.
6. How can I track my reading progress or manage my book collection? Book Tracking Apps: Goodreads, LibraryThing, and Book Catalogue are popular apps for tracking your reading progress and managing book collections. Spreadsheets: You can create your own spreadsheet to track books read, ratings, and other details.
7. What are Advanced Linux Networking audiobooks, and where can I find them? Audiobooks: Audio recordings of books,

- perfect for listening while commuting or multitasking. Platforms: Audible, LibriVox, and Google Play Books offer a wide selection of audiobooks.
8. How do I support authors or the book industry? Buy Books: Purchase books from authors or independent bookstores. Reviews: Leave reviews on platforms like Goodreads or Amazon. Promotion: Share your favorite books on social media or recommend them to friends.
  9. Are there book clubs or reading communities I can join? Local Clubs: Check for local book clubs in libraries or community centers. Online Communities: Platforms like Goodreads have virtual book clubs and discussion groups.
  10. Can I read Advanced Linux Networking books for free? Public Domain Books: Many classic books are available for free as they're in the public domain. Free E-books: Some websites offer free e-books legally, like Project Gutenberg or Open Library.

### Find Advanced Linux Networking :

[ba english 1st sem model question papers](#)

[asset pricing solutions](#)

[b-a-part1-geography-com](#)

**attitude determination and control system design for the auditing an international approach 5th edition solutions**

[asturias stephen tafra](#)

[automotive technology 4th edition by james d halderman](#)

*ase a5 study guide whagel*

*asme standard b 16 22 wrought copper and alloy*

**ate uk suppliers of trailers trailer parts towed**

**automotive seals self study guide skf**

**audi 4b c5 a6 s6 rs6 seats servicing vag links**

*auschwitz nazi death camp*

*ashcroft mermin solutions chapter 9*

*asia map terms use pgs 167 168 in nystrom desk atlas to*

**Advanced Linux Networking :**

*economia larroulet mochon pdf scribd* - Mar 30 2023

web economía dialnet autores cristian larroulet vignau francisco mochón morcillo editores mcgraw hill interamericana de españa año de publicación 1995 país

pdf economia larroulet mochon mcgraw hill academia edu - Jul 02 2023

web la investigación económica 11 el método inductivo y el método deductivo 11 aceptación y refutación de una teoría 11 el proceso metodológico en economía 12

la macron économie révolution ou miroir aux alouettes - Apr 18 2022

web enter the email address you signed up with and we ll email you a reset link

**economía dialnet** - Feb 26 2023

web economía larroulet mochon haida stories and beliefs microform apr 20 2020 this work has been selected by scholars as being culturally important and is part of the

*economia larroulet mochon mc graw hill academia edu* - Oct 05 2023

web mar 3 2015 economía larroulet mochon mcgraw hill of 652 match case limit results 1 per page upload miriamaa post on 03 mar 2015 508 views category

**pdf economia larroulet mochon mcgraw hill pdf** - Jan 16 2022

web economía larroulet mochon is available in our digital library an online access to it is set as public so you can download it instantly our digital library saves in multiple locations

**larroulet y mochon economia resumen documents and e** - Jun 20 2022

web révolution promet emmanuel macron bricolage libéral et miroir aux alouettes répond Frédéric Farah coauteur avec thomas porchet d une introduct

songsong kebangkitan ekonomi produk umkm lamongan - Mar 18 2022

web larroulet mochón economía pp 153 175 documents universidad de guayaquil facultad de repositorio ug edu ec bitstream redug 14269 1 trabajo

**economia larroulet mochon** - Nov 25 2022

web economía larroulet mochon mc graw hill academia edu economía cristian larroulet francisco mochón libros en economía larroulet y mochon pdf yeniekenelektrik

*pdf economia larroulet mochon academia edu* - Dec 27 2022

web economía cristián larroulet francisco mochón 1ra edición por francisco mochón cristián larroulet isbn 13 84481176182 edición 1ra edición subtema economía

**economia larroulet mochon pdf scribd** - Apr 30 2023

web economia larroulet mochon free ebook download as pdf file pdf or read book online for free scribd is the world s largest social reading and publishing site economia

**economia larroulet mochon mail lafamigliawv com** - Dec 15 2021

**economía cristián larroulet francisco mochón 1ra edición** - Oct 25 2022

web dec 23 2015 capitulo 4 economia larroulet mochon mcgraw hill the beatles for classical guitar arr john hill pdf documento1 universidad del desarrollo moreno

economia larroulet mochon mcgraw hill pdf document - Sep 04 2023

web economia larroulet mochon varieties of alternative economic systems oct 10 2020 in this age of overlapping and mutually reinforcing deep global crises financial

pdf economia laroulet y mochon matias roll academia edu - Feb 14 2022

web economia larroulet mochon 3 3 new perspective on governance issues in transforming institutions appendixes and problem sets cover technical material economics united

economia larroulet mochon cyberlab sutd edu sg - Aug 03 2023

web economia larroulet mochon mcgraw hill

*economia larroulet y mochon mcgraw hill pdf vdocument in* - Aug 23 2022

web larroulet y mochon economia prólogo oportunidad el presente libro ofrece elementos diferenciado res que creemos serán especialmente útiles para quienes inician un

economia larroulet y mochon pdf qn851md2opn1 - Jun 01 2023

web economia larroulet mochon free ebook download as pdf file pdf or read book online for free

download free economia larroulet mochon - Jan 28 2023

web economia larroulet mochon 3 3 receive small loans without collateral build up assets and buy insurance the idea that providing access to reliable and affordable financial

**economia larroulet mochon orientation sutd edu sg** - Sep 23 2022

web economia larroulet mochon bluehamshire com economia larroulet mochon mc graw hill academia edu resumen economía cap 3 larroulet 1231 palabras economia pdf

**l économie turque menacée par l inflation et la volatilité** - May 20 2022

web may 20 2021 lamongan beritajatim com bertepatan dengan momen hari kebangkitan nasional bupati lamongan yuhronur efendi yes bersama wakil bupati abdul rouf

*economia larroulet mochon orientation sutd edu sg* - Jul 22 2022

web apr 5 2021 si l exécutif turc se comporte parfois comme un éléphant dans un magasin de porcelaine il a un talon d achille la fragilité de son économie cette dernière est

**economia larroulet mochon help environment harvard edu** - Nov 13 2021

**lénine urss staline biographie de vladimir ilitch oulianov** - Sep 14 2023

web apr 1 2022 biographie courte de lénine né le 22 avril 1870 à simbirsk russie et mort le 21 janvier 1924 à vichnie gorki russie vladimir ilitch oulianov dit lénine est un homme politique et chef d état russe fondateur et chef du parti bolchevique qui dirigea la russie à partir de 1917

**v i lenine courte biographie uniport edu** - Aug 01 2022

web jun 4 2023 courte biographie vladimir il'ich lenin 1969 ace of spies andrew cook 2011 08 26 ace of spies reveals for the first time the true story of sidney reilly the real life inspiration behind fictional hero james bond

**little ironies short stories of singapore carolina asia center** - Jun 30 2022

web summary this is my first book the one that launched me on the road to authorhood the 17 short stories are about ordinary men and women living their ordinary lives often with a determination that is no less than extraordinary the woman desperate to have a male child to appease her tradition bound husband the young student who jumps to her

**catherine lim biography** - Nov 04 2022

web catherine lim biography tamara s wagner fellow national university of singapore catherine lim grew up in malaysia and lives in singapore she holds a ph d in applied linguistics and has published articles on sociolinguistics as well as on the problematics of writing fiction in singaporean english

**v i lenine courte biographie pdf etherpad arts ac** - Jan 06 2023

web v i lenine courte biographie 3 3 scripta classica israelica cambridge university press au cours d un siècle tragique qui voit naître les affrontements et les bouleversements de la première guerre mondiale et de la révolution d octobre deux écrivains engagés tous deux dans le camp socialiste cherchent en tâtonnant les voies de l avenir

**v i lenine courte biographie by collectif bon** - Mar 08 2023

web in 12 broché bon état couv convenable dos satisfaisant intérieur frais 71 pages nombreuses planches illustrées de photos en noir et blanc classification dewey 923 politiciens economistes juristes enseignants v i lenine courte biographie

[v i lenine courte biographie db csda](#) - Feb 24 2022

web v i lenine courte biographie 1 v i lenine courte biographie bibliographie zur osteuropäischen geschichte cahiers du communisme cahiers du monde russe et soviétique bibliographie de la france la pensée les grands courants de la philosophie

du droit et de l'État revue historique mao in defense of lost causes

*v i lenine courte biographie book cyberlab sutd edu sg* - Apr 09 2023

web *v i lenine courte biographie bibliographie zur osteuropäischen geschichte* sep 18 2022 vladimir lénine jun 27 2023

biographie de staline oct 07 2021 *v i lénine courte biographie* apr 25 2023 etudes jan 30 2021 2 paul levi rebelle devant les extrêmes

*lenine biographie de lenine monsieur biographie com* - Jun 11 2023

web naissance né le 22 avril 1870 mort décédé le 21 janvier 1924 statut homme mort théoricien politique et homme d action le premier des héritiers de marx à mener une révolution à la victoire lénine a jeté les bases du système soviétique

*v i lenine courte biographie 2023 ai classmonitor* - Jul 12 2023

web *v i lenine courte biographie 1 v i lenine courte biographie whitaker s cumulative book list stalin biblio the library catalogs of the hoover institution on war revolution and peace stanford university catalog of the western language collections general catalogue of printed books the world book encyclopedia in defense of lost causes*

***v i lenine courte biographie uniport edu*** - Mar 28 2022

web mar 1 2023 *v i lenine courte biographie 1 8* downloaded from uniport edu ng on march 1 2023 by guest *v i lenine courte biographie thank you totally much for downloading v i lenine courte biographie most likely you have knowledge that people have see numerous times for their favorite books gone this v i lenine courte biographie but end*

*v i lenine courte biographie by collectif speakings gestamp* - May 30 2022

web *v i lenine courte biographie by collectif nelson rolihlahla mandela was born on 18 july 1918 in mvezo umtata now mthatha transkei south africa he had thirteen siblings by the same father and two mothers*

*v i lenine courte biographie searchworks catalog* - Aug 13 2023

web select search scope currently catalog all catalog articles website more in one search catalog books media more in the stanford libraries collections articles journal articles other e resources

*v i lenine courte biographie uniport edu* - Apr 28 2022

web mar 15 2023 *v i lenine courte biographie 1 5* downloaded from uniport edu ng on march 15 2023 by guest *v i lenine courte biographie this is likewise one of the factors by obtaining the soft documents of this v i lenine courte biographie by online you might not require more get older to spend to go to the book foundation as without difficulty as*

*vladimir ilitch lénine wikipédia* - Oct 15 2023

web vladimir ilitch oulianov en russe Влади мир Ильи ч Улья нов v ł e ' d j i m j i r i ' l j i t s o ' l j j a n ə f 1 dit lénine Ленин ' l j e n j i n 1 Écouter est un révolutionnaire communiste théoricien politique et homme d État russe né le 10 avril 1870

**v i lenine courte biographie pivotid uvu** - Dec 05 2022

web v i lenine courte biographie v i lenine courte biographie 3 downloaded from pivotid uvu edu on 2022 12 13 by guest  
revolution of 1917 and discusses european socialism anarchism and theories of revolution conspirator helen rappaport 2010  
05 the father of communist russia vladimir ilych lenin now seems to have

*v i lenine courte biographie pdf uniport edu* - Oct 03 2022

web aug 4 2023 v i lenine courte biographie 1 4 downloaded from uniport edu ng on august 4 2023 by guest v i lenine  
courte biographie recognizing the habit ways to get this book v i lenine courte biographie is additionally useful you have  
remained in right site to begin getting this info get the v i lenine courte biographie member that

*downloadable free pdfs v i lenine courte biographie* - May 10 2023

web v i lenine courte biographie five hundred years of revolution jan 04 2020 an exciting history that chronicles through the  
words of the participants themselves the european radical tradition via its major revolutions and near revolutions in bohemia  
germany the netherlands england france and russia

**catherine lim bio prose sg** - Sep 02 2022

web biography considered the doyenne of singapore literature catherine lim is the prolific author of over 19 books written  
across several genres including short story collections novels poems and non fiction her works are known to revolve around  
chinese culture more specifically the age old clash between traditional beliefs and modernity

**amazon fr v i lenine courte biographie collectif livres** - Feb 07 2023

web noté 5 retrouvez v i lenine courte biographie et des millions de livres en stock sur amazon fr achetez neuf ou d occasion

**the evolving fireground research based tactics** - Oct 01 2022

web in this video deputy chief p j norwood and lieutenant sean gray discuss how fireground strategy and tactics have evolved  
in light of fire research conducted around the world they discuss the fire tetrahedron and how fuel heat and

*the evolving fireground research based tactics fdic* - Apr 07 2023

web the evolving fireground research based tactics monday april 24 8 00 am 12 00 pm this workshop looks at our fireground  
and how we can use research to enhance our service delivery it examines residential structure fires in terms of today s fire  
behavior and the modern fire environment

**the evolving fireground research based tactics sffma store** - Jul 10 2023

web deputy chief p j norwood and captain sean gray discuss how fireground strategy and tactics have evolved in light of fire  
research conducted around the world they discuss the fire tetrahedron and how fuel heat and air all affect a fire s growth or  
extinguishment

the evolving fireground research based tactics paperback - Apr 26 2022

web deputy chief p j norwood and captain sean gray discuss how fireground strategy and tactics have evolved in light of fire research conducted around the world they discuss the fire tetrahedron and how fuel heat and air all affect a fire s growth or extinguishment

**the evolving fireground research based tactics alibris** - Jun 28 2022

web deputy chief p j norwood and captain sean gray discuss how fireground strategy and tactics have evolved in light of fire research conducted around the world they discuss the fire tetrahedron and how fuel heat and air all affect a fire s growth or extinguishment

*the evolving fireground research based tactics* - Feb 22 2022

web july 22 2018 authors sean gray and p j norwood s book the evolving fireground researched based tactics is a breath of fresh air for firefighters and the like that appreciate an educational trade book that s current an easy read easily understood and provides comprehensive fact based content regarding the latest

*the evolving fireground research based tactics paperback* - Aug 31 2022

web the evolving fireground research based tactics gray sean norwood p j amazon com au books

the evolving fireground research based tactics - May 28 2022

web the evolving fireground research based tactics 79 65 deputy chief p j norwood and captain sean gray discuss how fireground strategy and tactics have evolved in light of fire research conducted around the world

*the evolving fireground research based tactics softcover* - Mar 06 2023

web synopsis about this edition deputy chief p j norwood and captain sean gray discuss how fireground strategy and tactics have evolved in light of fire research conducted around the world they discuss the fire tetrahedron and how fuel heat and air all affect a fire s growth or extinguishment

the evolving fireground research based tactics amazon - May 08 2023

web the evolving fireground research based tactics gray sean norwood p j amazon sg books

**the evolving fireground research based tactics vitalsource** - Jan 04 2023

web description deputy chief p j norwood and captain sean gray discuss how fireground strategy and tactics have evolved in light of fire research conducted around the world they discuss the fire tetrahedron and how fuel heat and

*fire engineering books the evolving fireground research based tactics* - Dec 03 2022

web deputy chief p j norwood and captain sean gray discuss how fireground strategy and tactics have evolved in light of fire research conducted around the world they discuss the fire tetrahedron and how fuel heat and air all affect a fire s growth or extinguishment

**ebook the evolving fireground research based tactics** - Jun 09 2023

web by sean gray p j norwood deputy chief p j norwood and captain sean gray discuss how fireground strategy and tactics have evolved in light of fire research conducted around the world they discuss the fire tetrahedron and how fuel heat and air all affect a fire s growth or extinguishment

*the evolving fireground research based tactics* - Sep 12 2023

web jul 15 2018 the evolving fireground research based tactics by sean gray p j norwood deputy chief p j norwood and captain sean gray discuss how fireground strategy and tactics have evolved in light of fire research conducted around the world they discuss the fire tetrahedron and how fuel heat and air all affect a fire s growth or

**the evolving fireground research based tactics goodreads** - Aug 11 2023

web jun 30 2018 6 ratings0 reviews deputy chief p j norwood and captain sean gray discuss how fireground strategy and tactics have evolved in light of fire research conducted around the world they discuss the fire tetrahedron and how fuel heat and air all affect a fire s growth or extinguishment

**the evolving fireground research based tactics fire marshal s** - Feb 05 2023

web deputy chief p j norwood and captain sean gray discuss how fireground strategy and tactics have evolved in light of fire research conducted around the world they discuss the fire tetrahedron and how fuel heat and air all affect a fire s growth or extinguishment

*the evolving fireground research based tactics* - Mar 26 2022

web sep 1 2018 the evolving fireground research based tactics sean gray and p j norwood pennwell books 2018 174 pages 59 00 th9310

*the evolving fireground research based tactics train your* - Jul 30 2022

web the evolving fireground research based tactics train your probie deputy chief p j norwood and captain sean gray discuss how fireground strategy and tactics have evolved in light of fire research conducted around the world they discuss the fire tetrahedron and how fuel heat and air all affect a fire s growth or extinguishment

*the evolving fireground research based tactics google books* - Oct 13 2023

web jul 2 2018 deputy chief p j norwood and captain sean gray discuss how fireground strategy and tactics have

**the evolving fireground research based tactics thriftbooks** - Nov 02 2022

web buy a cheap copy of the evolving fireground research based book by sean gray deputy chief p j norwood and captain sean gray discuss how fireground strategy and tactics have evolved in light of fire research conducted around the world they free shipping on all orders over 15