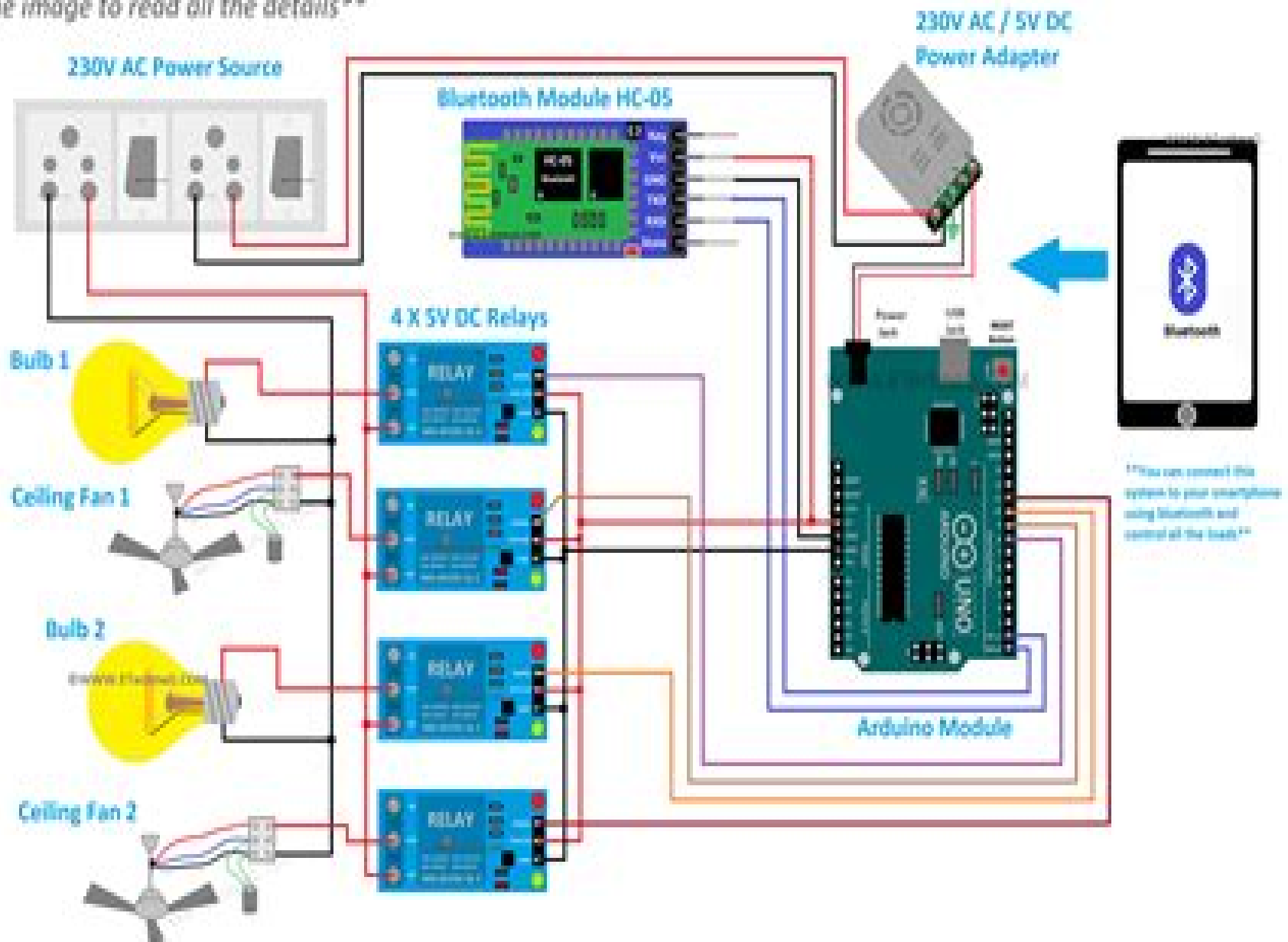


Figure.01:

# Smart Home Automation System using Arduino

*\*\*Zoom in the image to read all the details\*\**



# Bluetooth Based Home Automation And Security System Using Arm9

**Akashdeep Singh, Varinder  
Singh, Gagandeep Singh**



## **Bluetooth Based Home Automation And Security System Using Arm9:**

**Handbook of Research on the IoT, Cloud Computing, and Wireless Network Optimization** Singh, Surjit, Mohan Sharma, Rajeev, 2019-03-29 ICT technologies have contributed to the advances in wireless systems which provide seamless connectivity for worldwide communication The growth of interconnected devices and the need to store manage and process the data from them has led to increased research on the intersection of the internet of things and cloud computing The Handbook of Research on the IoT Cloud Computing and Wireless Network Optimization is a pivotal reference source that provides the latest research findings and solutions for the design and augmentation of wireless systems and cloud computing The content within this publication examines data mining machine learning and software engineering and is designed for IT specialists software engineers researchers academicians industry professionals and students **Intelligent**

**Communication, Control and Devices** Rajesh Singh, Sushabhan Choudhury, Anita Gehlot, 2018-04-10 The book focuses on the integration of intelligent communication systems control systems and devices related to all aspects of engineering and sciences It contains high quality research papers presented at the 2nd international conference ICICCD 2017 organized by the Department of Electronics Instrumentation and Control Engineering of University of Petroleum and Energy Studies Dehradun on 15 and 16 April 2017 The volume broadly covers recent advances of intelligent communication intelligent control and intelligent devices The work presented in this book is original research work findings and practical development experiences of researchers academicians scientists and industrial practitioners **Wearable/Personal Monitoring**

**Devices Present to Future** Gaetano D. Gargiulo, Ganesh R. Naik, 2021-10-26 This book discusses recent advances in wearable technologies and personal monitoring devices covering topics such as skin contact based wearables electrodes non contact wearables the Internet of things IoT and signal processing for wearable devices Although it chiefly focuses on wearable devices and provides comprehensive descriptions of all the core principles of personal monitoring devices the book also features a section on devices that are embedded in smart appliances furniture e g chairs which despite their limitations have taken the concept of unobtrusiveness to the next level Wearable and personal devices are the key to precision medicine and the medical community is finally exploring the opportunities offered by long term monitoring of physiological parameters that are collected during day to day life without the bias imposed by the clinical environment Such data offers a prime view of individuals physical condition as well as the efficacy of therapy and occurrence of events Offering an in depth analysis of the latest advances in smart and pervasive wearable devices particularly those that are unobtrusive and invisible and addressing topics not covered elsewhere the book will appeal to medical practitioners and engineers alike

**Metaheuristic and Machine Learning Optimization Strategies for Complex Systems** R., Thanigaivelan, M., Suchithra, S., Kaliappan, Mothilal, T., 2024-07-17 In contemporary engineering domains optimization and decision making issues are crucial Given the vast amounts of available data processing times and memory usage can be substantial

Developing and implementing novel heuristic algorithms is time consuming yet even minor improvements in solutions can significantly reduce computational costs. In such scenarios, the creation of heuristics and metaheuristic algorithms has proven advantageous. The convergence of machine learning and metaheuristic algorithms offers a promising approach to address these challenges. *Metaheuristic and Machine Learning Optimization Strategies for Complex Systems* covers all areas of comprehensive information about hyper heuristic models, hybrid meta heuristic models, nature inspired computing models, and meta heuristic models. The key contribution of this book is the construction of a hyper heuristic approach for any general problem domain from a meta heuristic algorithm. Covering topics such as cloud computing, internet of things, and performance evaluation, this book is an essential resource for researchers, postgraduate students, educators, data scientists, machine learning engineers, software developers, and engineers, policy makers, and more. *Emerging Trends in Electrical, Communications, and Information Technologies* T. Hitendra Sarma, V. Sankar, Rafi Ahamed Shaik, 2019-09-24. This book includes original peer reviewed research from the 3rd International Conference on Emerging Trends in Electrical Communication and Information Technologies ICECIT 2018 held at Srinivasa Ramanujan Institute of Technology Ananthapuramu Andhra Pradesh India in December 2018. It covers the latest research trends and developments in the areas of Electrical Engineering, Electronic and Communication Engineering, and Computer Science and Information **Research Anthology on Cross-Disciplinary Designs and Applications of Automation** Management Association, Information Resources, 2021-10-29. Throughout human history, technological advancements have been made for the ease of human labor. With our most recent advancements, it has been the work of scholars to discover ways for machines to take over a large part of this labor and reduce human intervention. These advancements may become essential processes to nearly every industry. It is essential to be knowledgeable about automation so that it may be applied. *Research Anthology on Cross Disciplinary Designs and Applications of Automation* is a comprehensive resource on the emerging designs and application of automation. This collection features a number of authors spanning multiple disciplines such as home automation, healthcare automation, government automation, and more. Covering topics such as human machine interaction, trust, calibration, and sensors, this research anthology is an excellent resource for technologists, IT specialists, computer engineers, systems and software engineers, manufacturers, engineers, government officials, professors, students, healthcare administration managers, CEOs, researchers, and academicians. *Integrated Green Energy Solutions, Volume 1* Milind Shrinivas Dangate, W. S. Sampath, O. V. Gnana Swathika, Sanjeevikumar Padmanaban, 2023-05-12. INTEGRATED GREEN ENERGY SOLUTIONS. This first volume in a two volume set presents the state of the art for the concepts, practical applications, and future of renewable energy and how to move closer to true sustainability. Renewable energy supplies are of ever increasing environmental and economic importance in every country worldwide. A wide range of renewable energy technologies has been established commercially and recognized as an important set of growth industries for most governments. World agencies including the United Nations

have extensive programs to encourage these emerging technologies This book will bridge the gap between descriptive reviews and specialized engineering technologies It centers on demonstrating how fundamental physical processes govern renewable energy resources and their applications Although the applications are updated continually the fundamental principles remain the same and this book will provide a useful platform for those advancing the subject and its industries Integrated Resilient Energy Solutions is a two volume set covering subjects of proven technical and economic importance worldwide Energy supply from renewables is an essential component of every nation s strategy especially when there is responsibility for the environment and sustainability These two volumes will consider the timeless renewable energy technologies principles yet demonstrate modern applications and case studies Whether for the veteran engineer student or other professional these two volumes are a must have for any library

*Information and Communication Technology*  
Durgesh Kumar Mishra,Ahmad Taher Azar,Amit Joshi,2017-10-12 This book volume contains 31 papers presented at ICICT 2016 Second International Congress on Information and Communication Technology The conference was held during 12 13 December 2016 Bangkok Thailand and organized communally by G R Foundation and Computer Society of India Division IV Communication and Division V Education and Research This volume contains papers mainly focused on ICT for computation algorithms and data analytics and IT security

*Home Automation Via Bluetooth Using the Arduino Uno Microcontroller*  
Ayush Kumar,2016 Abstract Home automation systems have gained popularity in recent years paralleling the advances in the concept of the Internet of Things The current project presents the implementation of an inexpensive home automation system within the framework of assistive technology The system implementation is based on the Arduino microcontroller with Bluetooth communications capability and it is designed for use by the elderly and people with disabilities The system is user friendly with an intuitive interface implemented on an Android based smart phone Demonstrations show that the system facilitates control of home appliances lights heating cooling systems and security devices by the intended users i e the elderly and the disabled

**BLUETOOTH BASED HOME AUTOMATION SYSTEM** OMER FAROOQ (TP016040),2012

*Building Smart Home Automation Solutions with Home Assistant* Marco Carvalho,2023-09-15 A step by step guide to building cost effective and complete home automation DIY projects using tools such as Home Assistant Raspberry Pi IoT devices the Tasmota sensor ESP32 and Grafana Key Features Learn by doing using real life practical examples to build your own home automation system Create hack and configure IoT devices through hands on projects to be used with or without Home Assistant Customize your home automation system using Home Assistant Node RED InfluxDB and Grafana Purchase of the print or Kindle book includes a free PDF eBook Book DescriptionPicture a home where you can adjust the lighting based on the time of day or when movement is detected In this same home you can also detect when a door is unexpectedly opened or an alarm is triggered in response to any suspicious activity Such automated devices form part of a smart home and the exciting part is that this book teaches you how to create and manage these devices all by yourself This book helps you create

your own ecosystem to automate your home using Home Assistant software You'll begin by understanding the components of a home automation system and learn how to create and configure them to operate seamlessly Then you'll set up Home Assistant on a Raspberry Pi to work as a home automation server build your own IoT sensors based on ESP32 ESP8266 and set up real life automation use cases using hands on examples and projects The chapters will also guide you in using software tools such as Node RED InfluxDB and Grafana to manage present and use data collected from your Home Automation devices Finally you'll gain insights into new technologies and trends in the home automation space to help you continue with your learning journey By the end of this book you'll be able to build your own creative IoT based home automation system using different hardware and software technologies What you will learn Understand the fundamental concepts of home automation systems Set up a home automation system using Home Assistant and Raspberry Pi Create and configure ESP8266 based sensors to work with Home Assistant Hack a commercial actuator to work with Home Assistant using Tasmota Create automations customize and use applications with Home Assistant Leverage IoT software tools to take your home automation to the next level Work on hands on projects including LED strip lights and an ESP32 five zone temperature logger Explore home automation FAQs emerging technologies and trends Who this book is for The book is for engineers developers students makers and enthusiasts who are working on or interested in working with electronics and IoT devices embedded systems systems integration computer software and coding to develop their own smart home automation systems Technicians teachers and other professionals who want to learn home automation related technologies will also find this book useful Prior experience of working with Raspberry Pi creating hardware prototypes and software programming will be beneficial

**Home Automation** Lisa Montgomery, Editor, Electronic House Magazine, 2014-09-12 Smart home automated home connected home or intelligent home Whatever you call it a home that's able to take the drudgery out of common everyday tasks is something that every family can appreciate In this inaugural book about home automation you'll learn how to incorporate the right types of products and systems into your house to achieve a new level of comfort convenience safety and efficiency The book walks you step by step through the process of automating your home and because automation systems are able to control just about anything electronic you can imagine we've provided plenty of practical ideas In 10 Key Features of a Home Automation System and Automation Ideas for Every System of Your House you'll gather more than enough recommendations to get started in your automation endeavor No matter how many great ideas you gather from our Home Automation book though it's important that the system you buy today incorporates the most recent iterations of control technologies We've followed the automation trends put them into perspective and offer advice on the critical new updates upgrades and upstarts you'll want to look into when selecting a system In addition to deciding what you want your automation system to do you'll want to determine whether you'd like to install the system yourself or hire a professional to handle the task Both methods offer their own unique set of advantages and disadvantages so be sure to read DIY or

Professionally Installed before making your decision You'll also want to check out our comprehensive directory of home automation manufacturers before taking the plunge Finally we finish the book with a series of finished automation installations which range from a basic starter package in a condo to a full blown bells and whistles system for a bigger house You'll see what types of features that owners of these homes chose to incorporate and hear how automation is truly making a difference in their lives The technology has been so carefully designed and meticulously installed that you may not even notice it in the full color photography of many of the rooms where lights motorized window shades and A V equipment have been automated to dim brighten turn on and off open and close and adjust and reset based on the time of day occupancy or the single touch of a button

*Arduino Bluetooth Based Home Automation* Mehmet AVCU,2021-01-05 [Arduino Bluetooth Based Home Automation](#)

[Arduino Home Automation Projects](#) Marco Schwartz,2014-07-23 This book is divided into projects that are explained in a step by step format with practical instructions that are easy to follow If you want to build your own home automation systems wirelessly using the Arduino platform this is the book for you You will need to have some basic experience in Arduino and general programming languages such as C and C++ to understand the projects in this book

[Building a Home Security System with BeagleBone](#) Bill Pretty,2013-12-17 Building a Home Security System with BeagleBone is a practical hands on guide for practical hands on people The book includes step by step instructions for assembling your own hardware on professionally manufactured PCBs and setting up the software on your system This book is for anyone who is interested in alarm systems and how they work for hobbyists and basement tinkerers who love to build things If you want to build the hardware described in this book you will need some basic soldering skills but all the parts are of the thru hole variety and are very easy to put together When it comes to software you can just run it as is but if you want to modify the code you will need knowledge of Java and IDEs

[Essential Guide to Smart Home Automation Safety and Security](#) Gerard O'Driscoll,2015-03-02 This book addresses readers who wish to gain an in depth understanding of Smart Home alarm and safety systems Detail is provided on six key smart systems that you can use to enhance your family's home security levels namely smart alarm systems Smart IP cameras Smart combo alarm devices smart access control smart locks and smart doorbells In addition to covering the integration of alarm and fire detection systems with your smartphone App this chapter also deals with adding smart air quality control water and freeze alert capabilities to your home This mini ebook includes technical illustrations examples of how smart homes are helping people insights from Gerard and details of an awesome monthly giveaway

**Home Security System DIY Wireless IoT Using ESP32 CAM and Android** Robert Chin,2022-08-07 This book shows you how you can save tons of money by building your own low cost maximum privacy and maximum security professional quality wireless home security system from common off the shelf parts You can monitor the home security system using your existing Android cell phone and existing home internet connection You will save lots of money on the home security system hardware itself as well as enjoy free email alert notifications and or low cost cell phone

text message alert notifications depending on the monitoring options you choose Easy to understand step by step instructions will be given so that the average non technical person will be able to assemble and operate this home security system The main components of the security system are the ESP32 CAM a motion sensor an Android cell phone and a home internet connection In addition custom software created by the author will be provided for the ESP32 and Android devices Security System Main Features Live Real Time Local Video Monitoring using multiple ESP32 CAM units Free Email Notifications With Images Using Your Existing Home Internet Connection Low Cost Text Message Notifications Using Your Android Cell Phone Easy Hardware Assembly and Simple Software Setup Procedure Use your existing Android cell phone to control and monitor your alarm system Modular sensor system allows you to add up to 11 ESP32 CAM units with motion sensors to the security system Maximum Security and Privacy Security System Basic Operation 1 Set up your security system for operation using your Controller cell phone 2 Activate the security system using your Controller cell phone 3 Receive emergency text alerts on your personal cell phone if the alarm has been tripped 4 Receive emergency emails with images of people that have tripped the sensors in or outside of your home to an email address you designate 5 If an intruder or other emergency is confirmed then call the police as needed

Wireless Based Home Security with Automation System Wan Norziela Wan Rosli,2010 The aim of the project is to design a wireless based home security with automation system The system uses wireless technology to revolutionize the standards of living which could give assurance for user to protect their homes from burglars thieves and criminals This project is so versatile and is equipped with various sensors such as passive infrared sensor magnetic switch sensor and vibration sensor to detect different forms of intrusion A microcontroller is used to control the system operation while a remote gadget is used to arm and disarm the system To ensure only the authorized user can operate the system the gadget is equipped with a password Various indication outputs such as BUZZER LED and LCD are used to display the alarm status In addition the sound indicators like siren are also included in the design to inform intrusion Due to the consideration of user friendliness portability as well as wider area coverage all the sensors and remote gadget are implemented using zigbee transceiver A backup battery module is also introduced in the design to ensure the system keep functioning even during power failure

Home Automation System Using Arduino System Via IR Sensor Akashdeep Singh,Varinder Singh,Gagandeep Singh,2018-10-07 This work presents the design and model implementation of a novel home automation system applying the Internet of Things IoT technology It seeks simplified design protocols for developing a robust home automation system to deal with the problems of complexity multiple incompatible standards and the resulting expenses in the existing systems The embedded system features the ubiquitous low cost 32 bit ESP8266 System on chip SoC module interfaced to some sensors and actuators for interaction in the home Flexibility in the remote access operation and management is achieved through HTML5 based intuitive mobile and web GUI applications Web Application Messaging Protocol WAMP is deployed to ensure that individual applications and systems seamlessly communicate with a relatively high

level of security using robust web service security protocol This system offers a cost effective and efficient solution excluded which are present mostly in other solutions because the costs of a dedicated public IP address and a high end computer are excluded which are present mostly in other solutions Advanced Home Security System Ali Abbas,2017

Uncover the mysteries within Explore with is enigmatic creation, Discover the Intrigue in **Bluetooth Based Home Automation And Security System Using Arm9** . This downloadable ebook, shrouded in suspense, is available in a PDF format ( \*). Dive into a world of uncertainty and anticipation. Download now to unravel the secrets hidden within the pages.

<https://py.bijouxmedusa.com/About/virtual-library/index.jsp/%201761%20wearable%20technology%20step%20by%20step%20for%20startups%20%20872%20wearable.pdf>

## **Table of Contents Bluetooth Based Home Automation And Security System Using Arm9**

1. Understanding the eBook Bluetooth Based Home Automation And Security System Using Arm9
  - The Rise of Digital Reading Bluetooth Based Home Automation And Security System Using Arm9
  - Advantages of eBooks Over Traditional Books
2. Identifying Bluetooth Based Home Automation And Security System Using Arm9
  - Exploring Different Genres
  - Considering Fiction vs. Non-Fiction
  - Determining Your Reading Goals
3. Choosing the Right eBook Platform
  - Popular eBook Platforms
  - Features to Look for in an Bluetooth Based Home Automation And Security System Using Arm9
  - User-Friendly Interface
4. Exploring eBook Recommendations from Bluetooth Based Home Automation And Security System Using Arm9
  - Personalized Recommendations
  - Bluetooth Based Home Automation And Security System Using Arm9 User Reviews and Ratings
  - Bluetooth Based Home Automation And Security System Using Arm9 and Bestseller Lists
5. Accessing Bluetooth Based Home Automation And Security System Using Arm9 Free and Paid eBooks
  - Bluetooth Based Home Automation And Security System Using Arm9 Public Domain eBooks
  - Bluetooth Based Home Automation And Security System Using Arm9 eBook Subscription Services
  - Bluetooth Based Home Automation And Security System Using Arm9 Budget-Friendly Options

6. Navigating Bluetooth Based Home Automation And Security System Using Arm9 eBook Formats
  - ePub, PDF, MOBI, and More
  - Bluetooth Based Home Automation And Security System Using Arm9 Compatibility with Devices
  - Bluetooth Based Home Automation And Security System Using Arm9 Enhanced eBook Features
7. Enhancing Your Reading Experience
  - Adjustable Fonts and Text Sizes of Bluetooth Based Home Automation And Security System Using Arm9
  - Highlighting and Note-Taking Bluetooth Based Home Automation And Security System Using Arm9
  - Interactive Elements Bluetooth Based Home Automation And Security System Using Arm9
8. Staying Engaged with Bluetooth Based Home Automation And Security System Using Arm9
  - Joining Online Reading Communities
  - Participating in Virtual Book Clubs
  - Following Authors and Publishers Bluetooth Based Home Automation And Security System Using Arm9
9. Balancing eBooks and Physical Books Bluetooth Based Home Automation And Security System Using Arm9
  - Benefits of a Digital Library
  - Creating a Diverse Reading Collection Bluetooth Based Home Automation And Security System Using Arm9
10. Overcoming Reading Challenges
  - Dealing with Digital Eye Strain
  - Minimizing Distractions
  - Managing Screen Time
11. Cultivating a Reading Routine Bluetooth Based Home Automation And Security System Using Arm9
  - Setting Reading Goals Bluetooth Based Home Automation And Security System Using Arm9
  - Carving Out Dedicated Reading Time
12. Sourcing Reliable Information of Bluetooth Based Home Automation And Security System Using Arm9
  - Fact-Checking eBook Content of Bluetooth Based Home Automation And Security System Using Arm9
  - Distinguishing Credible Sources
13. Promoting Lifelong Learning
  - Utilizing eBooks for Skill Development
  - Exploring Educational eBooks
14. Embracing eBook Trends
  - Integration of Multimedia Elements

- Interactive and Gamified eBooks

### **Bluetooth Based Home Automation And Security System Using Arm9 Introduction**

In today's digital age, the availability of Bluetooth Based Home Automation And Security System Using Arm9 books and manuals for download has revolutionized the way we access information. Gone are the days of physically flipping through pages and carrying heavy textbooks or manuals. With just a few clicks, we can now access a wealth of knowledge from the comfort of our own homes or on the go. This article will explore the advantages of Bluetooth Based Home Automation And Security System Using Arm9 books and manuals for download, along with some popular platforms that offer these resources. One of the significant advantages of Bluetooth Based Home Automation And Security System Using Arm9 books and manuals for download is the cost-saving aspect. Traditional books and manuals can be costly, especially if you need to purchase several of them for educational or professional purposes. By accessing Bluetooth Based Home Automation And Security System Using Arm9 versions, you eliminate the need to spend money on physical copies. This not only saves you money but also reduces the environmental impact associated with book production and transportation. Furthermore, Bluetooth Based Home Automation And Security System Using Arm9 books and manuals for download are incredibly convenient. With just a computer or smartphone and an internet connection, you can access a vast library of resources on any subject imaginable. Whether you're a student looking for textbooks, a professional seeking industry-specific manuals, or someone interested in self-improvement, these digital resources provide an efficient and accessible means of acquiring knowledge. Moreover, PDF books and manuals offer a range of benefits compared to other digital formats. PDF files are designed to retain their formatting regardless of the device used to open them. This ensures that the content appears exactly as intended by the author, with no loss of formatting or missing graphics. Additionally, PDF files can be easily annotated, bookmarked, and searched for specific terms, making them highly practical for studying or referencing. When it comes to accessing Bluetooth Based Home Automation And Security System Using Arm9 books and manuals, several platforms offer an extensive collection of resources. One such platform is Project Gutenberg, a nonprofit organization that provides over 60,000 free eBooks. These books are primarily in the public domain, meaning they can be freely distributed and downloaded. Project Gutenberg offers a wide range of classic literature, making it an excellent resource for literature enthusiasts. Another popular platform for Bluetooth Based Home Automation And Security System Using Arm9 books and manuals is Open Library. Open Library is an initiative of the Internet Archive, a non-profit organization dedicated to digitizing cultural artifacts and making them accessible to the public. Open Library hosts millions of books, including both public domain works and contemporary titles. It also allows users to borrow digital copies of certain books for a limited period, similar to a library lending system. Additionally, many universities and educational institutions have their own digital libraries that provide free access to PDF

books and manuals. These libraries often offer academic texts, research papers, and technical manuals, making them invaluable resources for students and researchers. Some notable examples include MIT OpenCourseWare, which offers free access to course materials from the Massachusetts Institute of Technology, and the Digital Public Library of America, which provides a vast collection of digitized books and historical documents. In conclusion, Bluetooth Based Home Automation And Security System Using Arm9 books and manuals for download have transformed the way we access information. They provide a cost-effective and convenient means of acquiring knowledge, offering the ability to access a vast library of resources at our fingertips. With platforms like Project Gutenberg, Open Library, and various digital libraries offered by educational institutions, we have access to an ever-expanding collection of books and manuals. Whether for educational, professional, or personal purposes, these digital resources serve as valuable tools for continuous learning and self-improvement. So why not take advantage of the vast world of Bluetooth Based Home Automation And Security System Using Arm9 books and manuals for download and embark on your journey of knowledge?

### **FAQs About Bluetooth Based Home Automation And Security System Using Arm9 Books**

How do I know which eBook platform is the best for me? Finding the best eBook platform depends on your reading preferences and device compatibility. Research different platforms, read user reviews, and explore their features before making a choice. Are free eBooks of good quality? Yes, many reputable platforms offer high-quality free eBooks, including classics and public domain works. However, make sure to verify the source to ensure the eBook credibility. Can I read eBooks without an eReader? Absolutely! Most eBook platforms offer web-based readers or mobile apps that allow you to read eBooks on your computer, tablet, or smartphone. How do I avoid digital eye strain while reading eBooks? To prevent digital eye strain, take regular breaks, adjust the font size and background color, and ensure proper lighting while reading eBooks. What the advantage of interactive eBooks? Interactive eBooks incorporate multimedia elements, quizzes, and activities, enhancing the reader engagement and providing a more immersive learning experience. Bluetooth Based Home Automation And Security System Using Arm9 is one of the best book in our library for free trial. We provide copy of Bluetooth Based Home Automation And Security System Using Arm9 in digital format, so the resources that you find are reliable. There are also many Ebooks of related with Bluetooth Based Home Automation And Security System Using Arm9. Where to download Bluetooth Based Home Automation And Security System Using Arm9 online for free? Are you looking for Bluetooth Based Home Automation And Security System Using Arm9 PDF? This is definitely going to save you time and cash in something you should think about.

**Find Bluetooth Based Home Automation And Security System Using Arm9 :**

2-1761 wearable technology step by step for startups 2-872 wearable  
United States 2-2205 mobile app ideas examples America 2-2818 mobile app  
States 2-2681 blockchain development roadmap for creators 2-1077  
small business ideas checklist America 2-784 small business ideas  
**startups 2-424 AI marketing explained USA 2-83 AI marketing explained**  
funding review for small business 2-565 startup funding software America  
market examples for entrepreneurs 2-417 stock market examples for  
**monetization explained for startups 2-1253 blog monetization for**  
**strategies for creators 2-985 retirement planning tools for small**  
**organization ideas USA 2-2548 home organization ideas for creators 2-545**  
2-217 parenting tips blueprint for startups 2-2586 parenting tips case  
**beginners for startups 2-1875 crypto investing for beginners for**  
writing roadmap United States 2-2844 resume writing step by step United  
investing for beginners for entrepreneurs 2-950 crypto investing for  
trends USA 2-2379 electric vehicles trends United States 2-2876 electric

**Bluetooth Based Home Automation And Security System Using Arm9 :**

*mbut mbuttan hot masala actress rasika sexy* - Jan 08 2023  
web mar 30 2011 hot masala actress rasika sexy wallpaepers at 8 08 am labels actresses gallery actresses nude wallpapers  
mallu actrees wallpaepers mallu actresses hot photos rasiak rasika wallppares  
**tamil actress bikini photos on flickr flickr** - May 12 2023  
web sexy south indian aunties in saree and in sexy dresses from tamil telugu and mallu movies and pictures sexy south indian  
models by saloodhara 50 18  
mallu actress media malluactress media instagram photos - Aug 15 2023  
web 82k followers 0 following 2 654 posts see instagram photos and videos from mallu actress media malluactress media  
*mallu on pinterest* - Oct 05 2022  
web anusree nair siima 2019 exclusive high definition photos image 13 tollywood actress stills stills heroines hot actress  
photos actors actresses beautiful women anu emmanuel malayalam actress indian girls unique blouse designs stylish blouse

design stylish dress designs explore a hand picked collection of pins about mallu

*mallu rasika hot photo help environment harvard edu* - Mar 30 2022

web expense of mallu rasika hot photo and numerous book collections from fictions to scientific research in any way among them is this mallu rasika hot photo that can be your partner nanomedicine manufacturing and applications francis verpoort 2021 06 22 nanomedicine explores the modification and enhancement of the properties and

[mallu aunty photos on flickr flickr](#) - Sep 04 2022

web sexy and fat south indian mallu aunty actress shakeela masala5 in sexy south indian aunties in saree and in sexy dresses from tamil telugu and mallu movies and pictures girlactressespics blogspot in click this link for more pics

**glamorous pictures of rasika sunil from her maldives vacay** - Aug 03 2022

web jan 4 2022 a look at the sensuous and bold pictures of rasika sunil from her maldives vacay

**mallu rasika hot photo uniport edu ng** - Jan 28 2022

web may 19 2023 mallu rasika hot photo 2 9 downloaded from uniport edu ng on may 19 2023 by guest in india the book s six provocative but substantive chapters of the book engage a wide range of events objects histories narratives and episodes with the intent of interrogating what franz fanon called the zone of occult

**50 desi masala mallu hot sex photos hot kerala xxx hd pics** - Dec 27 2021

web aug 14 2021 50 hd provocative kerala mallu hot sex photos now leaked august 14 2021 by goddess aphrodite check out these leaked kerala xxx hd pics of horny sex hungry women they will increase your arousal lust a hundredfold if you watch these new desi masala mallu hot sex photos jerk off hard

**mallu rasika hot photo uniport edu ng** - Jul 02 2022

web kindly say the mallu rasika hot photo is universally compatible with any devices to read supersize mad libs mad libs 2017 06 27 mad libs is the world s greatest word game and the perfect gift or activity for anyone who likes to laugh write in the missing words on each page to create your

*malluhorny reddit* - Jul 14 2023

web may 7 2021 r malluhorny photos and videos of mallu actress models and influencers that you found hot

[mallu rasika hot photo uniport edu ng](#) - Apr 30 2022

web may 17 2023 mallu rasika hot photo 1 1 downloaded from uniport edu ng on may 17 2023 by guest mallu rasika hot photo eventually you will unquestionably discover a additional experience and realization by spending more cash still when get you give a positive response that you require to get those every needs once having significantly

**mallu photos and premium high res pictures getty images** - Nov 06 2022

web browse getty images premium collection of high quality authentic mallu stock photos royalty free images and pictures

mallu stock photos are available in a variety of sizes and formats to fit your needs

[mallu actress photos on flickr flickr](#) - Feb 09 2023

web see more sexy pictures hot and sexy south indian tamil mallu telugu and malayalam actresses

[mallu actress photos on flickr flickr](#) - Dec 07 2022

web see more sexy pictures hot and sexy south indian tamil mallu telugu and malayalam actresses

**kerala famous beauty tuls complete collection pics scroller** - Apr 11 2023

web desiboners 2 kerala famous beauty tuls complete collection pics 57 videos must watch more like this media controls download autoscroll

**rasika hot wallpapers sexy masala photos naked** - Mar 10 2023

web actresses hot photos actresses masala photos actresses naked videos mallu actresses hot videos mallu actresses sexy photos rasika hot photos rasika hto wallpapers

**mallu hot photos on flickr flickr** - Jun 13 2023

web aug 15 2007 see more sexy pictures hot and sexy south indian tamil mallu telugu and malayalam actresses

[mallu rasika hot photo avenza dev avenza com](#) - Jun 01 2022

web nov 29 2022 mallu rasika hot photo 2 7 downloaded from avenza dev avenza com on november 29 2022 by guest publication puts a youthful crafty spin on diy decor with refreshing ideas clear directions and beautiful photographs this book will inspire diy enthusiasts of all skill levels to spruce up their spaces in a weekend or less

[mallu rasika hot photo uniport edu ng](#) - Feb 26 2022

web apr 8 2023 mallu rasika hot photo 1 8 downloaded from uniport edu ng on april 8 2023 by guest mallu rasika hot photo this is likewise one of the factors by obtaining the soft documents of this mallu rasika hot photo by online you might not require more period to spend to go to the books establishment as skillfully as search for them

[electrical design software electrical cad toolset autodesk](#) - Mar 26 2023

electrical design is the process of planning and creating electrical equipment such as electrical components schematics lighting equipment power systems and telecommunications infrastructure electrical design software and tools address the specific workflows for electrical controls systems designers

**home electrical plan free electric schematic software kozikaza** - Jul 30 2023

plans simple an intuitive tool to prepare your electricity project online plan available without downloading software create your electrical plan

[electrical drawing software design wiring diagrams in no time](#) - Nov 21 2022

electrical drawing software design wiring diagrams in no time the roomsketcher app offers electrical drawing software that

is designed to simplify the process of creating accurate and professional electrical drawings with its user friendly interface and powerful features you ll be able to bring your ideas to life with ease

**how to draw electrical plans better homes gardens** - Dec 23 2022

apr 3 2023 paper planning software instructions how to draw electrical plans the key factor to keep in mind when drawing electrical plans is that they need to be accurate

**how to use house electrical plan software conceptdraw** - Aug 19 2022

electrical layout house plan it shows the electrical devices location in the building and the scheme of electric wiring house electrical plan software for apple macos and microsoft windows house electrical plan software works across any platform meaning you never have to worry about compatibility again

*honda gm scrap 5 bln plan to co develop cheaper evs* - Nov 09 2021

oct 25 2023 tokyo oct 25 reuters honda motor 7267 t and general motors gm gm n are scrapping a plan to jointly develop affordable electric vehicles evs the companies said on wednesday just a

*drawing your own electrical plans the family handyman* - Jun 28 2023

aug 7 2023 dreef getty images electrical plans are a roadmap to project success and yes you can draw your own here s what you need to know our editors and experts handpick every product we feature we may earn a commission from your purchases starting a project without a plan is like using a coin flip instead of gps for navigation

how to design electrical plan cedetaş mühendislik ve teknoloji - May 28 2023

oct 18 2021 electrical plan design promotion design process understanding project scope parts of the electrical plan general electrical requirements special electrical requirements headings of the electrical plan creating the electrical plan design process an electrical design goes through several important stages of development

*electrical plan smartdraw* - Oct 09 2021

strategic planning

*electrical plan 101 know basics of electrical plan edrawmax* - Oct 21 2022

contents a plan is drawn at a specific scale and it is a diagram or listings of several steps it shows all the details of resources and timings to accomplish an objective so what is an electrical plan let s discuss this briefly with its purpose and a bunch of examples if it is of interest to you continue reading what is an electrical plan

**electrical plan the shortcut in electrical planning** - Jan 24 2023

apr 21 2021 the goal of designing an electrical plan our goal should always be designing a well functioning system that takes into consideration how this system will be used in the first place we face a long list of questions when it comes to designing an electrical plan

**electrical plan free electrical plan templates edraw software** - Jul 18 2022

latest flowchart process flowchart workflow bpmn cross functional flowchart data flow diagram epc fault tree ideo diagram org chart basic org chart photo org chart creative org chart family tree genogram network rack diagram network topology cctv network ldap aws diagram azure diagram gcp diagram cisco network active directory neural network

**free online electrical plan maker edrawmax online** - Sep 19 2022

try online free available for windows mac and linux all downloads create stunning electric plans seamlessly say goodbye to the hassle of finding the needed electric plan symbols

**what is an electrical plan edrawmax edraw software** - Apr 14 2022

in a nutshell an electrical plan is a visual representation that shows how the wiring of a house should be installed so all the necessary devices could be placed at their right place not only this but many times an electrical plan also illustrates how a particular gadget would work for instance it will show the internal winding of a

**electrical panel design in eplan the essentials for beginners** - Feb 10 2022

learn the basics of eplan essential functions and sections to be able to create circuit diagrams with plcs circuit breakers contactors

**how to draw an electrical plan with roomsketcher** - Oct 01 2023

celine polden 14 08 2023 10 08 last updated 21 08 2023 08 51 we ll guide you through the process of drawing an electrical plan using roomsketcher a user friendly software that allows you to draw professional electrical floor plans

**office electrical plan smartdraw** - Jan 12 2022

5 0 8 0 4 0 8 6 6 5 6 6 0 4 8 3 6 electrical plan legend ceiling mounted light duplex receptacle outlet telephone outlet smoke detector switch by continuing to use the website you consent to the use of cookies

*electrical plan design jones bartlett learning download* - Dec 11 2021

download electrical plan design jones amp bartlett learning pdf chapter 1 electrical plan design 3 demand requirements of the facility based on the individual parts of the electrical distribution system see chapter 6

*electrical plan templates smartdraw* - Jun 16 2022

product management roadmap features brainstorm and report on development so your team can ship features that users love software engineering design and maintain complex systems collaboratively information technology visualize system architecture document processes and communicate internal policies sales close bigger deals with reproducible processes that lead

[electrical plan design jones bartlett learning](#) - Apr 26 2023

electrical design of commercial and industrial buildings but also awareness of the application of all relevant codes and

standards utilized within the electrical

**how to create house electrical plan easily edraw software** - May 16 2022

the main thing that must be in your mind when you started building or renovating a house is a floor plan and an electrical plan or electrical drawing for the electricity and power of the house in this article we will talk about the electrical plan of a house so what is a house electrical plan in the architectural and engineering area an

*electrical plan examples and templates to kick start your project* - Aug 31 2023

celine polden 14 08 2023 10 07 last updated 14 08 2023 11 07 with a range of carefully curated electrical plan examples and templates at your fingertips you ll discover a wealth of resources designed to save you time eliminate guesswork and ensure precision in your electrical plans

**making an electrical plan with residential design software** - Mar 14 2022

feb 12 2022 mr v 32k views 6 years ago remodeling demonstration in chief architect x12 chief architect 24k views 3 years ago how to create a floor plan for interior designers mimi estelle 1m views 3

*electrical design software electrical cad toolset free online* - Feb 22 2023

design electrical plans the easy choice for creating your circuit drawing online design electrical plans and more smartdraw makes electrical design easy by providing you with built in templates and intuitive controls

**physical science 233 power answer key k12 workbook** - Mar 13 2023

web showing 8 worksheets for physical science 233 power answer key worksheets are physical science work answer key prentice hall physical science chapte

**physical science 233 power answer key pdf kelliemay** - Mar 01 2022

web dec 4 2022 physical science 233 power answer key is available in our digital library an online access to it is set as public so you can get it instantly our book servers saves in

**physical science 233 palatine high school yumpu** - Dec 10 2022

web may 22 2014 physical science 233 palatine high school en english deutsch français español português italiano român nederlands latina dansk svenska norsk

**physical science 233 power answer key beta atanet** - Apr 02 2022

web physical science 233 power answer key 3 3 learning 1 general studies paper 1 is the best selling book particularly designed for the civil services preliminary examinations 2

*phys 233 quiz questions flashcards quizlet* - Nov 09 2022

web study with quizlet and memorize flashcards containing terms like which of these are physically valid statements 1 1 2 54 2 1 in 2 54 cm 3 1 in 2 2 54 cm 2 a all

[physical science 233 power worksheets teacher worksheets](#) - Aug 18 2023

web physical science 233 power answer key welding 233 lesson 233 stems 233 the outer planets electric power physical science physical science power problem electric

**physical science 233 power answer key printable worksheets** - Apr 14 2023

web physical science 233 power answer key worksheets showing all 8 printables worksheets are physical science work answer key prentice hall physical s

[physical science 233 power answer key seminary fbny](#) - Jan 31 2022

web 4 physical science 233 power answer key 2022 01 04 covering the complete syllabus as per upsc pattern 3 special section is provided for current affairs covering events

[physical science 233 power answer key worksheets learny kids](#) - May 15 2023

web physical science 233 power answer key worksheets total of 8 printable worksheets available for this concept worksheets are physical science work an

**physical science 233 power answer key kiddy math** - Feb 12 2023

web displaying 8 worksheets for physical science 233 power answer key worksheets are physical science work answer key prentice hall physical science cha

**233 physical science names and formulas worksheet 1 answer** - Jun 16 2023

web mar 12 2022 the correct answer is indicated by a green checkmark these puzzles are a great resource for students this puzzle focuses on the study of matter and energy and

**physical science 233 power answer key study common core** - Jan 11 2023

web physical science 233 power answer key displaying top 8 worksheets found for this concept

**answer key to physical science sheet k12 workbook** - Oct 28 2021

web answer sheet for physical science answer key physical science element physical science 233 power answer key physical science newton s laws answer key

[physical science 233 power worksheet answer key pdf](#) - Aug 06 2022

web physical science 233 power worksheet answer key problem solving exercises in physics jennifer bond hickman 2001 08 01 authored by paul hewitt the pioneer of the

[physical science 233 power worksheet answer key copy](#) - May 03 2022

web physical science 233 power worksheet answer key reviewing physical science 233 power worksheet answer key unlocking the spellbinding force of linguistics in a fast

[calculating power worksheet 2 answers physical science](#) - Sep 19 2023

web physical science 233 name 1 2 3 4 5 6 7 8 power worksheet read pages 414 416 solve the following problems show yourwork and use the correct units to receive full

*physical science 233 power answer key pdf* - Jun 04 2022

web physical science 233 power answer key is friendly in our digital library an online permission to it is set as public suitably you can download it instantly our digital library

*physical science 233 power worksheet answers pinterest* - Oct 08 2022

web nov 30 2022 physical science 233 power worksheet answers web 3 how do you know your answer is correct some of the worksheets displayed are physical science

[physical science 233 power worksheet scienceworksheets net](#) - Jul 17 2023

web jun 6 2022 physical science 233 power worksheet june 6 2022 by tamble physical science 233 power worksheet whether you re a teacher or a parent there are many

**physical science 233 power worksheets learny kids** - Jul 05 2022

web displaying top 8 worksheets found for physical science 233 power

*physical science 233 power answers pdf* - Dec 30 2021

web getting this info get the physical science 233 power answers link that we provide here and check out the link physical science 233 power answer key k12 workbook dec 01

*physical science 233 power answer key 2023 forms iibr edu* - Nov 28 2021

web physical science 233 power answer key book review unveiling the power of words in some sort of driven by information and connectivity the ability of words has be much

**physical science 233 power worksheets k12 workbook** - Sep 07 2022

web physical science 233 power answer key welding 233 lesson 233 stems 233 the outer planets electric power physical science physical science power problem electric