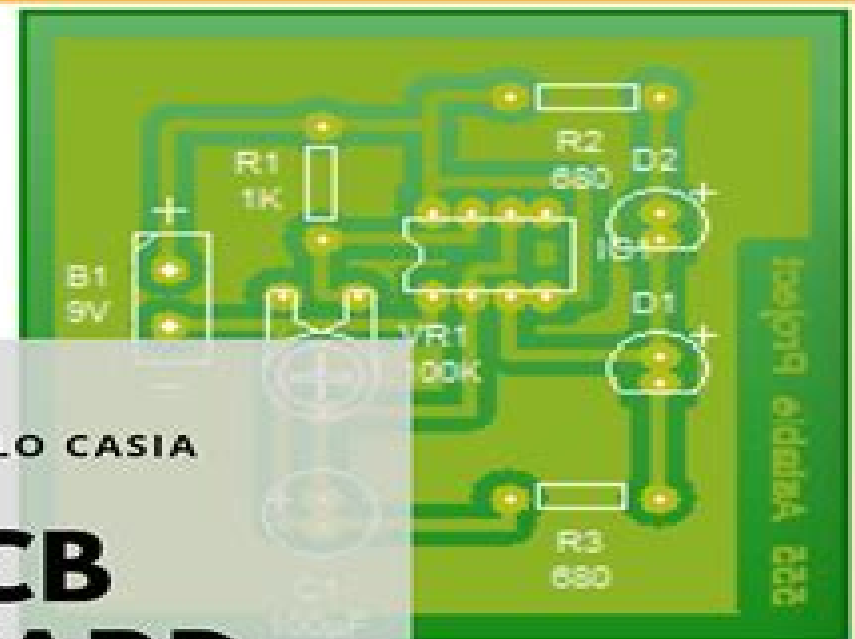
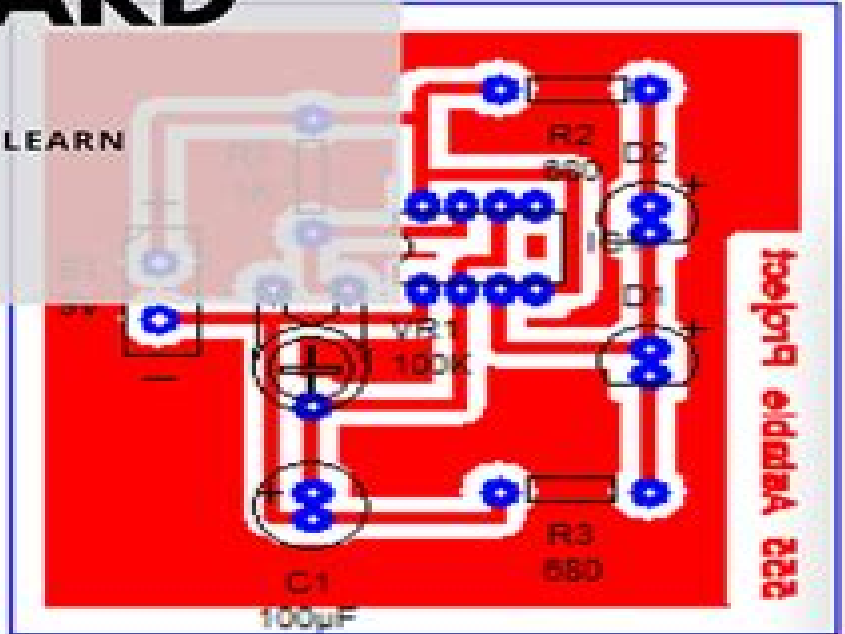
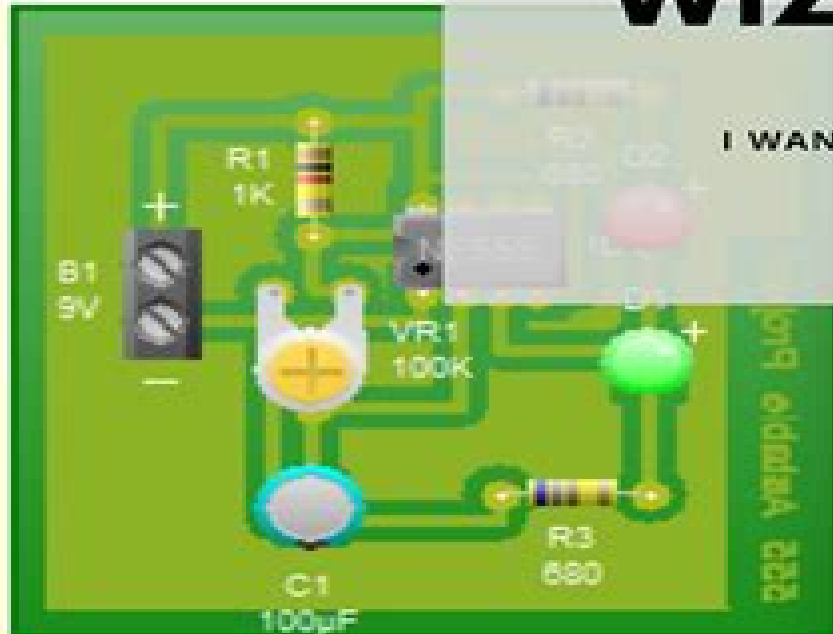


BY DANILO CASIA

PCB WIZARD



I WANT LEARN



Pcb Wizard Tutorial 1

A B Lawal



Pcb Wizard Tutorial 1:

Complete PCB Design Using OrCad Capture and Layout Kraig Mitzner, 2011-04-01 Complete PCB Design Using OrCad Capture and Layout provides instruction on how to use the OrCAD design suite to design and manufacture printed circuit boards The book is written for both students and practicing engineers who need a quick tutorial on how to use the software and who need in depth knowledge of the capabilities and limitations of the software package There are two goals the book aims to reach The primary goal is to show the reader how to design a PCB using OrCAD Capture and OrCAD Layout Capture is used to build the schematic diagram of the circuit and Layout is used to design the circuit board so that it can be manufactured The secondary goal is to show the reader how to add PSpice simulation capabilities to the design and how to develop custom schematic parts footprints and PSpice models Often times separate designs are produced for documentation simulation and board fabrication This book shows how to perform all three functions from the same schematic design This approach saves time and money and ensures continuity between the design and the manufactured product Information is presented in the exact order a circuit and PCB are designed Straightforward realistic examples present the how and why the designs work providing a comprehensive toolset for understanding the OrCAD software Introduction to the IPC JEDEC and IEEE standards relating to PCB design Full color interior and extensive illustrations allow readers to learn features of the product in the most realistic manner possible Complete PCB Design Using OrCAD Capture and PCB Editor Kraig

Mitzner, 2009-05-28 This book provides instruction on how to use the OrCAD design suite to design and manufacture printed circuit boards The primary goal is to show the reader how to design a PCB using OrCAD Capture and OrCAD Editor Capture is used to build the schematic diagram of the circuit and Editor is used to design the circuit board so that it can be manufactured The book is written for both students and practicing engineers who need in depth instruction on how to use the software and who need background knowledge of the PCB design process Beginning to end coverage of the printed circuit board design process Information is presented in the exact order a circuit and PCB are designed Over 400 full color illustrations including extensive use of screen shots from the software allow readers to learn features of the product in the most realistic manner possible Straightforward realistic examples present the how and why the designs work providing a comprehensive toolset for understanding the OrCAD software Introduces and follows IEEE IPC and JEDEC industry standards for PCB design Unique chapter on Design for Manufacture covers padstack and footprint design and component placement for the design of manufacturable PCB s FREE CD containing the OrCAD demo version and design files

Thermal Analysis with SolidWorks Simulation 2014 Paul Kurowski, 2014 Thermal Analysis with SolidWorks Simulation 2014 goes beyond the standard software manual It concurrently introduces the reader to thermal analysis and its implementation in SolidWorks Simulation using hands on exercises A number of projects are presented to illustrate thermal analysis and related topics Each chapter is designed to build on the skills and understanding gained from previous exercises

Thermal Analysis with SolidWorks Simulation 2014 is designed for users who are already familiar with the basics of Finite Element Analysis FEA using SolidWorks Simulation or who have completed the book Engineering Analysis with SolidWorks Simulation 2014 Thermal Analysis with SolidWorks Simulation 2014 builds on these topics in the area of thermal analysis Some understanding of FEA and SolidWorks Simulation is assumed Desarrollo y Construcción de Prototipos Electrónicos Ángel Bueno Martín, Ana I. de Soto Gorroño, 2005-09-15 Este manual es una guía que proporciona instrucciones completas y detalladas para el uso de los programas OrCAD Capture Layout plus y LPKF CircuitCAM BoardMaster de diseño y construcción de prototipos electrónicos respectivamente Pretendemos familiarizar al lector con el entorno de trabajo CAD CAM electrónico a través del software propuesto Junto a las indicaciones que ayudan a adquirir la destreza en el manejo de las herramientas informáticas orientadas al diseño electrónico en este libro se dan una serie de consejos y observaciones de interés que facilitan el trabajo y aclaran las dudas que con frecuencia le surgen al principiante haciendo hincapié en la correcta obtención y presentación de resultados informes planos fotolitos etc Respecto a la metodología cabe destacar su carácter de tutorial es decir se propone un ejemplo que servir de hilo conductor para ir completando las fases que conforman la base de datos del diseño Cada tema está desarrollado gradualmente explicando los comandos e instrucciones allí donde aparecen por vez primera Se acompañan numerosas ventanas pantallas aclaratorias aportaciones prácticas y explicaciones adicionales en aras a facilitar la comprensión de lo expuesto Se trata en definitiva de un método que ayuda en la realización de un trabajo organizado y eficaz que facilita la labor del profesor y el aprendizaje del alumno MATERIALES ADICIONALES EN APARTADO DE DESCARGAS DEL WEB MARCOMBO.COM **PC Mag**, 1993-06-29 PCMag.com is a leading authority on technology delivering Labs based independent reviews of the latest products and services Our expert industry analysis and practical solutions help you make better buying decisions and get more from technology **Byte**, 1984 **Microtimes**, 1993-04 Macworld, 1989 *Sound & Vibration*, 2000 **PC/Computing**, 1993-07 **SolidWorks práctico II - 2.ª edición** Sergio Gómez González, 2024-06-19 Si es un estudiante o un diseñador novel que desea adentrarse en el diseño y validación de productos mecánicos con SolidWorks con el objetivo de crear máquinas mecanismos productos o modelos para impresión 3D ha llegado al libro indicado SolidWorks práctico II es una compilación de prácticas guiadas y ejercicios de examen diseñados por el autor para sus clases universitarias en la Universidad Politécnica de Cataluña EEBE UPC Estas prácticas abarcan una amplia gama de complementos como Routing Motion Simulation FlowSimulation Photoview SolidCAM DMFXpress entre otros El contenido del libro se caracteriza por su enfoque visual y práctico lo que facilita la lectura con abundantes ilustraciones que detallan las etapas necesarias para utilizar los complementos de SolidWorks en el diseño y validación de productos más eficientes seguros y económicos Además en el libro encontrar el código de acceso que le permitirá descargar de forma gratuita los contenidos adicionales desde www.marcombo.info que incluyen los modelos descritos a lo largo de la obra Esta segunda edición también cuenta con el acceso gratuito al Curso de SolidWorks Simulation Flow

Simulation y otros complementos Dicho curso est valorado en 35 y se compone de 54 videos con una duraci n total de 8 horas para que profundice en el entorno las aplicaciones y las funcionalidades de Solidworks el dise o de chapa met lica el dise o de moldes para inyecci n de pl sticos las simulaciones de inyecci n de pl sticos SolidWorks Plastics el dise o de estructura met lica y soldadura biblioteca de dise o y Toolbox PhotoViewer 360 imagen sint tica FeatureWorks SolidWorks Costing sostenibilidad FDMXpress entre otros Al finalizar el curso podr realizar un proyecto para conseguir la certificaci n de realizaci n del curso H gase con este libro y saque provecho de SolidWorks el software CAD CAM CAE que le permitir adem s de modelar piezas ensamblar conjuntos y crear planos validar sus dise os para realizar productos m s seguros y eficientes

PC Magazine ,2001

Applied Science & Technology Index ,1997

InfoWorld ,1986

PCB Design & Layout

For DIY Etching A B Lawal,2021-03-14 In this tutorial you will learn step by step how to use Ultiboard to route and make a single layer Printed Circuit Board layout that you can print out on paper Finally you will learn with demo videos a very inexpensive DIY method for transferring your layout to a Copper Clad board that you can etch and solder manually No heat transfer is involved After reading and completing the simple demo projects in this book you will learn many features of Ultiboard very fast and very effectively without getting overwhelmed You will not need to export any files or send gerbers to a PCB manufacturer fabricator We will be using the National Instruments Ultiboard and Multism PCB Design suite which I found to be the best among several others I have used Any of the versions 12 13 and 14 of this suite works perfectly well There is a link in this book for you to download a hassle free trial version of the suite that you can use for many days to learn and practice many projects of your own Merely having the Ultiboard user manual or referring to its help contents is far from sufficient in becoming a skillful PCB designer Therefore this book is extremely useful for building PCB design skills very fast First it will give you a big head start if you have never designed a PCB layout before Then it will teach you more advanced techniques you need to learn design and build anything from simple to complex PCB layouts using mostly Ultiboard Finally if you have questions or need further help I urge you to use the support link I provided in the last Chapter of this book I will get back to you very quickly

Complete PCB Design Using OrCAD Capture and PCB Editor Kraig Mitzner,Bob

Doe,Alexander Akulin,Anton Suponin,Dirk Müller,2019-06-20 Complete PCB Design Using OrCAD Capture and PCB Editor Second Edition provides practical instruction on how to use the OrCAD design suite to design and manufacture printed circuit boards Chapters cover how to Design a PCB using OrCAD Capture and OrCAD PCB Editor adding PSpice simulation capabilities to a design how to develop custom schematic parts how to create footprints and PSpice models and how to perform documentation simulation and board fabrication from the same schematic design This book is suitable for both beginners and experienced designers providing basic principles and the program s full capabilities for optimizing designs Companion site <https://www.elsevier.com/books-and-journals/book-companion/9780128176849> Presents a fully updated edition on OrCAD Capture Version 17.2 Combines the theoretical and practical parts of PCB design Includes real life design

examples that show how and why designs work providing a comprehensive toolset for understanding OrCAD software
Provides the exact order in which a circuit and PCB are designed Introduces the IPC JEDEC and IEEE standards relating to
PCB design *Printed Circuit Boards* R. S. Khandpur,2005-09-07 The printed circuit is the basic building block of the
electronics hardware industry This is a comprehensive single volume self teaching guide to the art of printed circuit board
design and fabrication covering the complete cycle of PCB creation design layout fabrication assembly and testing

If you ally compulsion such a referred **Pcb Wizard Tutorial 1** books that will present you worth, acquire the extremely best seller from us currently from several preferred authors. If you desire to hilarious books, lots of novels, tale, jokes, and more fictions collections are moreover launched, from best seller to one of the most current released.

You may not be perplexed to enjoy all ebook collections Pcb Wizard Tutorial 1 that we will enormously offer. It is not going on for the costs. Its about what you dependence currently. This Pcb Wizard Tutorial 1, as one of the most energetic sellers here will agreed be along with the best options to review.

https://py.bijouxmedusa.com/book/book-search/Download_PDFS/Dimitri_P_Krynine_William_R_Judd_Principles_Of.pdf

Table of Contents Pcb Wizard Tutorial 1

1. Understanding the eBook Pcb Wizard Tutorial 1
 - The Rise of Digital Reading Pcb Wizard Tutorial 1
 - Advantages of eBooks Over Traditional Books
2. Identifying Pcb Wizard Tutorial 1
 - Exploring Different Genres
 - Considering Fiction vs. Non-Fiction
 - Determining Your Reading Goals
3. Choosing the Right eBook Platform
 - Popular eBook Platforms
 - Features to Look for in an Pcb Wizard Tutorial 1
 - User-Friendly Interface
4. Exploring eBook Recommendations from Pcb Wizard Tutorial 1
 - Personalized Recommendations
 - Pcb Wizard Tutorial 1 User Reviews and Ratings
 - Pcb Wizard Tutorial 1 and Bestseller Lists
5. Accessing Pcb Wizard Tutorial 1 Free and Paid eBooks

- Pcb Wizard Tutorial 1 Public Domain eBooks
 - Pcb Wizard Tutorial 1 eBook Subscription Services
 - Pcb Wizard Tutorial 1 Budget-Friendly Options
6. Navigating Pcb Wizard Tutorial 1 eBook Formats
- ePub, PDF, MOBI, and More
 - Pcb Wizard Tutorial 1 Compatibility with Devices
 - Pcb Wizard Tutorial 1 Enhanced eBook Features
7. Enhancing Your Reading Experience
- Adjustable Fonts and Text Sizes of Pcb Wizard Tutorial 1
 - Highlighting and Note-Taking Pcb Wizard Tutorial 1
 - Interactive Elements Pcb Wizard Tutorial 1
8. Staying Engaged with Pcb Wizard Tutorial 1
- Joining Online Reading Communities
 - Participating in Virtual Book Clubs
 - Following Authors and Publishers Pcb Wizard Tutorial 1
9. Balancing eBooks and Physical Books Pcb Wizard Tutorial 1
- Benefits of a Digital Library
 - Creating a Diverse Reading Collection Pcb Wizard Tutorial 1
10. Overcoming Reading Challenges
- Dealing with Digital Eye Strain
 - Minimizing Distractions
 - Managing Screen Time
11. Cultivating a Reading Routine Pcb Wizard Tutorial 1
- Setting Reading Goals Pcb Wizard Tutorial 1
 - Carving Out Dedicated Reading Time
12. Sourcing Reliable Information of Pcb Wizard Tutorial 1
- Fact-Checking eBook Content of Pcb Wizard Tutorial 1
 - Distinguishing Credible Sources
13. Promoting Lifelong Learning
- Utilizing eBooks for Skill Development

- Exploring Educational eBooks
14. Embracing eBook Trends
- Integration of Multimedia Elements
 - Interactive and Gamified eBooks

Pcb Wizard Tutorial 1 Introduction

In the digital age, access to information has become easier than ever before. The ability to download Pcb Wizard Tutorial 1 has revolutionized the way we consume written content. Whether you are a student looking for course material, an avid reader searching for your next favorite book, or a professional seeking research papers, the option to download Pcb Wizard Tutorial 1 has opened up a world of possibilities. Downloading Pcb Wizard Tutorial 1 provides numerous advantages over physical copies of books and documents. Firstly, it is incredibly convenient. Gone are the days of carrying around heavy textbooks or bulky folders filled with papers. With the click of a button, you can gain immediate access to valuable resources on any device. This convenience allows for efficient studying, researching, and reading on the go. Moreover, the cost-effective nature of downloading Pcb Wizard Tutorial 1 has democratized knowledge. Traditional books and academic journals can be expensive, making it difficult for individuals with limited financial resources to access information. By offering free PDF downloads, publishers and authors are enabling a wider audience to benefit from their work. This inclusivity promotes equal opportunities for learning and personal growth. There are numerous websites and platforms where individuals can download Pcb Wizard Tutorial 1. These websites range from academic databases offering research papers and journals to online libraries with an expansive collection of books from various genres. Many authors and publishers also upload their work to specific websites, granting readers access to their content without any charge. These platforms not only provide access to existing literature but also serve as an excellent platform for undiscovered authors to share their work with the world. However, it is essential to be cautious while downloading Pcb Wizard Tutorial 1. Some websites may offer pirated or illegally obtained copies of copyrighted material. Engaging in such activities not only violates copyright laws but also undermines the efforts of authors, publishers, and researchers. To ensure ethical downloading, it is advisable to utilize reputable websites that prioritize the legal distribution of content. When downloading Pcb Wizard Tutorial 1, users should also consider the potential security risks associated with online platforms. Malicious actors may exploit vulnerabilities in unprotected websites to distribute malware or steal personal information. To protect themselves, individuals should ensure their devices have reliable antivirus software installed and validate the legitimacy of the websites they are downloading from. In conclusion, the ability to download Pcb Wizard Tutorial 1 has transformed the way we access information. With the convenience, cost-effectiveness, and accessibility it offers, free PDF downloads have become a popular choice for students,

researchers, and book lovers worldwide. However, it is crucial to engage in ethical downloading practices and prioritize personal security when utilizing online platforms. By doing so, individuals can make the most of the vast array of free PDF resources available and embark on a journey of continuous learning and intellectual growth.

FAQs About Pcb Wizard Tutorial 1 Books

How do I know which eBook platform is the best for me? Finding the best eBook platform depends on your reading preferences and device compatibility. Research different platforms, read user reviews, and explore their features before making a choice. Are free eBooks of good quality? Yes, many reputable platforms offer high-quality free eBooks, including classics and public domain works. However, make sure to verify the source to ensure the eBook credibility. Can I read eBooks without an eReader? Absolutely! Most eBook platforms offer web-based readers or mobile apps that allow you to read eBooks on your computer, tablet, or smartphone. How do I avoid digital eye strain while reading eBooks? To prevent digital eye strain, take regular breaks, adjust the font size and background color, and ensure proper lighting while reading eBooks. What the advantage of interactive eBooks? Interactive eBooks incorporate multimedia elements, quizzes, and activities, enhancing the reader engagement and providing a more immersive learning experience. Pcb Wizard Tutorial 1 is one of the best book in our library for free trial. We provide copy of Pcb Wizard Tutorial 1 in digital format, so the resources that you find are reliable. There are also many Ebooks of related with Pcb Wizard Tutorial 1. Where to download Pcb Wizard Tutorial 1 online for free? Are you looking for Pcb Wizard Tutorial 1 PDF? This is definitely going to save you time and cash in something you should think about.

Find Pcb Wizard Tutorial 1 :

[dimitri p krynine william r judd principles of discovering geometry assessment resources chapter 4](#)

[digital business and e-commerce management 6 pdf](#)

[direct and alternating current machinery 2nd edition](#)

[deux graines de cacao eddl](#)

[deutz f3l 1011 service](#)

[dictionary of scientific and technical terminology english](#)

[digital broadcasting an introduction to new media berg new media series](#)

desert god ancient egypt 5-wilbur smith

differential equations 4th edition solutions

descargar libro gratis cuatro millones de golpes epub

~~digital integrated circuits rabaey solution manual pdf~~

diffusion of innovations 4th edition by everett m rogers

diesel generator set 6bt5 9 series engine

descargar se ocultan en la oscuridad 2017 1 link mega

Pcb Wizard Tutorial 1 :

vih et sida chez les enfants causes symptômes et traitement - Dec 11 2021

web jul 4 2023 *une enfant face au sida daphna c e ou l art de vi pdf if you ally dependence such a referred une enfant face au sida daphna c e ou l art de vi pdf*

une enfant face au sida daphna c e ou l art de vi pdf - Jun 16 2022

web apr 28 2023 *une enfant face au sida daphna c e ou l art de vi 2 7 downloaded from uniport edu ng on april 28 2023 by guest communicable diseases ncids in africa this*

une enfant face au sida daphna c e ou l art de vi copy - May 16 2022

web *une enfant face au sida daphnée ou l art de vivre by jeanne jorat l aide humanitaire et internationale des valeurs une enfant face au sida daphne ou l art de vivre le*

une enfant face au sida daphna c e ou l art de vi clr imymac - Jun 28 2023

web *femmes d abidjan face au sida les jeunes face au sida protecting childhood in the aids pandemic be a friend the measure of my strength femmes en temps de sida la*

une enfant face au sida daphna c e ou l art de vi pdf - Jul 30 2023

web may 13 2023 *2 une enfant face au sida daphna c e ou l art de vi 2021 07 18 d enfants touchés par le vih dans les garderies il sert de support dans le cadre*

une enfant face au sida daphna c e ou l art de vi pdf - Mar 26 2023

web *une enfant face au sida daphna c e ou l art de vi l esthétique et l art jun 15 2020 essai sur l art de former l esprit ou premiers éléments de la logique jan 15 ainsi le*

download solutions une enfant face au sida daphna c e ou l - Mar 14 2022

web *in any way along with them is this une enfant face au sida daphna c e ou l art de vi that can be your partner the creative therapies and eating disorders stephanie l*

ebook une enfant face au sida daphna c e ou l art de vi - Feb 22 2023

web une enfant face au sida daphna c e ou l art de vi de arte graphica paris 1668 feb 09 2022 edition commente de ce pome latin de 549 vers sur l art de la peinture qui

[une enfant face au sida daphna c e ou l art de vi pdf aisha](#) - Nov 09 2021

web jun 19 2023 une enfant face au sida daphna c e ou l art de vi pdf can be one of the options to accompany you afterward having extra time it will not waste your time

[sida et vih chez l enfant unicef](#) - Dec 23 2022

web en 2019 à peine plus de la moitié des enfants dans le monde avaient accès à un traitement qui leur sauverait la vie une couverture bien moins importante que celle dont

[vih et sida unicef](#) - Oct 21 2022

web guide du suivi et de l'évaluation des mesures prises au niveau national pour faire face au problème des enfants rendus orphelins ou vulnérables par le vih sida enfants

une enfant face au sida daphna c e ou l art de vi download - Sep 19 2022

web jun 24 2023 it will not waste your time understand me the e book will agreed flavor you further thing to read just invest little get older to admittance this on line broadcast une

une enfant face au sida daphna c e ou l art de vi pdf - May 28 2023

web jul 9 2023 kindly say the une enfant face au sida daphna c e ou l art de vi pdf is universally compatible with any devices to read livres hebdo 2000 les inrockuptibles

[une enfant face au sida daphna c e ou l art de vi vod](#) - Aug 31 2023

web parmi les répercussions du sida des parents sur leur entourage familial l implication des ascendants et collatéraux dans la prise en charge de leurs enfants est une réalité peu

[une enfant face au sida daphna c e ou l art de vi](#) - Jan 24 2023

web une enfant face au sida daphna c e ou l art de vi is comprehensible in our digital library an online permission to it is set as public so you can download it instantly our

une enfant face au sida daphna c e ou l art de vi pdf ditty - Aug 19 2022

web guide du suivi et de l'évaluation des mesures prises au niveau national pour faire face au problème des enfants rendus orphelins ou vulnérables par le vih sida

une enfant face au sida daphna c e ou l art de vi pdf - Oct 09 2021

enfant et sida humanium - Nov 21 2022

web les enfants et les adolescents continuent d'être les oubliés des efforts mondiaux visant à éradiquer le vih et le sida de nouveaux cas d'infection surviennent encore au cours de

une enfant face au sida daphna c e ou l art de vi 2022 - Jul 18 2022

web une enfant face au sida daphna c e ou l art de vi but end in the works in harmful downloads rather than enjoying a fine book following a cup of coffee in the afternoon

infection par le vih et sida chez les enfants i live ok - Jan 12 2022

web chez les enfants les symptômes du sida chez les enfants sont similaires à ceux d'un nourrisson mais avec d'autres symptômes tels que développement de maladies dans

une enfant face au sida daphnée ou l art de vivre by jeanne - Apr 14 2022

web une enfant face au sida daphna c e ou l art de vi l art de soigner les pieds contenant un traité sur les cors verrues etc jul 05 2022 art of playing the

une enfant face au sida daphna c e ou l art de vi copy ftp - Apr 26 2023

web enjeux psychosociaux de la santé sida témoignage sur la vie et la mort de martin l'enfant en centrafric the state of the world s children 2006 enfants et sida

une enfant face au sida daphna c e ou l art de vi - Feb 10 2022

web nov 19 2021 les tests sérologiques planifiés sont réalisés à la naissance à 6 ans 12 et 18 mois de vie obtenir deux résultats négatifs ou plus à des intervalles d'au moins 1

miller and harley zoology 5th edition pdf download download - Jul 03 2022

web miller and harley zoology 5th edition pdf download 3 3 share to pinterest labels zoology by miller and harley 5th edition 28 comments mirza muhammad nabeel 3 december 2012 at 10 25 zoology by miller and harley 5th edition pu stuffszoology by miller and harley 5th edition 3 12 downloaded

zoology stephen a miller 9780070294110 amazon com books - Oct 06 2022

web jan 1 2001 publisher mcgraw hill tx 5th edition january 1 2001 language english

zoology by miller and harley 5th edition web books - Apr 12 2023

web zoology by miller and harley 5th edition know about author stephen miller dr miller is high ranking author of zoology and carried well reputation in his early life he rises up paddling creeks sculling rivers and exploring the jungles of michigan s peninsula his captivation with aquatic ecosystems sustained from schooling to onwards

zoology stephen miller john harley google books - Aug 04 2022

web the 8th edition of zoology continues to offer students an introductory general zoology text that is manageable in size and adaptable to a variety of course formats it is a

miller the zoology fifth edition by harley urdukutabkhanapk - Feb 10 2023

web aug 17 2022 zoology addeddate 2022 08 17 18 21 06 identifier miller the zoology fifth edition by harley urdukutabkhanapk identifier ark ark 13960 s2m8wrnprjs ocr tesseract 5 2 0 1 gc42a

zoology stephen a miller john p harley google books - Sep 05 2022

web zoology is organized into three parts part one covers the common life processes including cell and tissue structure and function the genetic basis of evolution and the evolutionary and

zoology by miller and harley 5th edition stephen a miller - Dec 28 2021

web aug 2 2023 with ease as perception of this zoology by miller and harley 5th edition can be taken as capably as picked to act zoology stephen a miller dr 2015 09 17 the 10th edition of zoology continues to offer students an introductory general zoology text that is manageable in size and adaptable to a variety of course formats it

zoology miller harley 5 ed the mcgraw hill companies - May 13 2023

web libro zoologia zoology miller harley 5 ed the mcgraw hill companies libro zoologia zoology miller harley 5 ed the mcgraw hill companies libro zoologia zoology invertebrates brusca 2 edition adriss gonz download free pdf view pdf international journal of biological innovations

3rd lecture chapter first 1st miller and harley 5th edition - May 01 2022

web sep 11 2023 zoology an ecological perspective lectures 3rd chapter 1st bs zoology botany zoology harley ppsc 11thclass ecology miller evolution evolutionary 1

zoology 5th edition miller and harley archive org - Jun 14 2023

web sep 29 2022 an illustration of a heart shape paniker s textbook of medical parasitology by ck jayaram paniker djvu txt zoology 5th edition miller and harley 1 djvu txt cell biology genetics molecular biology evolution and ecology by p s verma and agarwal hocr html

zoology stephen a miller john p harley google books - Jan 09 2023

web zoology animal kingdom authors stephen a miller john p harley edition 4 illustrated publisher wcb mcgraw hill 1999 original from the university of michigan

zoology miller harley fifth edition 9780070294110 ebay - Nov 07 2022

web dec 16 2022 find many great new used options and get the best deals for zoology miller harley fifth edition at the best online prices at ebay free delivery for many products zoology miller harley fifth edition 9780070294110 ebay

zoology miller stephen a free download borrow and - Mar 11 2023

web none xvii 540 pages 28 cm includes bibliographical references and index zoology an ecological and evolutionary perspective cells tissues organs and organ systems cell division and inheritance evolution a historical perspective evolution

and gene frequencies ecology preserving the animal kingdom animal

zoology book by miller harley 5th edition thebookee net - Mar 31 2022

web list of ebooks and manuals about zoology book by miller harley 5th edition spring 2013 pdf download 21084 pdf bsc

1413 general zoology s pring cell phone does text messaging as required textbooks lecture zoology 9th edition

[home su lms lms su edu pk](#) - Feb 27 2022

web home su lms lms su edu pk

zoology mcgraw hill education - Jul 15 2023

web welcome to the online learning center for the fifth edition of zoology by miller and harley inside you will find materials aimed at enhancing the use of your text exercises additional reading materials quizzes and related web links learn more

about this text and its package by visiting the information center for this title

miller harley zoology fifth edition the mc graw hill - Aug 16 2023

web mar 14 2020 opensource language english zoology by miller miller and harley addeddate 2020 03 14 05 46 56 identifier

miller harleyzoologyfiftheditionthemcgrawhill identifier ark

download miller s a harley j p zoology pdf sciarium - Jun 02 2022

web sep 2 2018 10th edition boston mcgraw hill 2016 640 p isbn 0077837274 the 10th edition of zoology continues to offer students an introductory general zoology text that is manageable in size and adaptable to a variety of course formats it is a principles oriented text written for the non majors or

zoology 5th color edition by miller harley online book shop pk - Jan 29 2022

web book name zoology 5th color edition book author miller harley book publishers mcgraw hill boston publish date 2001

format hand book language english category css pms edition 5th color edition pages 538 book code obs0072 isbn 10

0070294119 isbn 13 978 0070294110

zoology 5th edition 9780072504941 textbooks com - Dec 08 2022

web buy zoology 5th edition 9780072504941 by stephen a miller and john p harley for up to 90 off at textbooks com

[city of burbank pipefitter apprentice test stag butterfield](#) - Mar 30 2022

web access the city of burbank pipefitter apprentice test join that we have the funding for here and check out the link solely expressed the city of burbank pipefitter apprentice test is universally suitable with any devices to browse

[city of burbank pipefitter apprentice test international code](#) - Nov 06 2022

web jan 23 2023 download and install the city of burbank pipefitter apprentice test it is unquestionably simple then since

currently we extend the member to purchase and make bargains to download and install city of burbank pipefitter apprentice test as a result simple metal worker plumber and steam fitter 1904

[city of burbank pipefitter apprentice salary com](#) - Mar 10 2023

web aug 27 2023 the average salary for pipefitter apprentice at companies like city of burbank in the united states is 51 610 as of july 25 2023 but the range typically falls between 43 679 and 59 541

job seekers city of burbank - Jan 28 2022

web job seekers the city of burbank understands the difficulties of finding a career in today s job market whether you are just starting out in the world of employment or are looking to enhance your existing career we are here to help check out our virtual resources to help you find your ideal job burbank employee recruitment video 0 00 1 53

recruitment frequently asked questions city of burbank - Jul 02 2022

web the city of burbank written examinations are create to test the skills knowledges and abilities needed in the position we encourage all applicants to review the essential functions of the position and refresh the skills listed

[job bulletin governmentjobs com](#) - Jun 13 2023

web city of burbank pipefitter apprentice replacing worn parts reassembling and testing for accuracy and leaks assists in meter installations learns to operate a truck backhoe other heavy construction equipment and a variety of hand tools and air and electric power tools including jackhammers tampers pumps and air compressors

[free pipefitter practice test with questions and answers 2023](#) - Jul 14 2023

web the questions on this free pipefitter apprentice practice test are a true representation of the questions you ll face on the actual pipefitter test these pipefitter test questions and answers were specifically chosen from our full pipefitter practice pack to help improve your score and ace your pre employment process

[city of burbank pipefitter apprentice test pdf uniport edu](#) - Oct 05 2022

web apr 28 2023 city of burbank pipefitter apprentice test 1 6 downloaded from uniport edu ng on april 28 2023 by guest city of burbank pipefitter apprentice test as recognized adventure as competently as experience practically lesson amusement as capably as concurrence can be gotten by just checking out a books

city of burbank pipefitter apprentice test pdf - Jan 08 2023

web pipefitters 8th edition includes a multitude of real world examples reference tables and formulas to help you build a rewarding career in the plumbing and pipefitting trade important notice media content referenced within the product description or the product text may not be available in the ebook version the santa fe magazine dec 14 2021

city of burbank pipefitter apprentice test monograf - Sep 04 2022

web city of burbank pipefitter apprentice test can be taken as competently as picked to act city of burbank pipefitter apprentice test downloaded from monograf no by guest karlee patel mathematics for plumbers and pipefitters thomas brothers maps customize your 2018 international

[burbank ca management services](#) - Apr 30 2022

web sep 3 2008 pipefitter apprentice bargaining unit burbank city employees association of meters and detector check mechanisms disassembling cleaning inspecting replacing worn parts reassembling and testing for accuracy and leaks assists in meter installations learns to operate a truck backhoe other heavy construction

cityofburbankpipefitterapprenticetest intranet2 flintcooper - Feb 26 2022

web you for your test by allowing you to take practice exams in the subjects you need to study it provides hundreds of questions and answers in the areas that will likely be covered on your upcoming exam including but not limited to deductive reasoning information ordering number facility matching written expression and more who s who in

city of burbank pipefitter apprentice test uniport edu - Jun 01 2022

web may 11 2023 the city of burbank pipefitter apprentice test associate that we meet the expense of here and check out the link you could purchase lead city of burbank pipefitter apprentice test or acquire it as soon as feasible you could quickly download this city of burbank pipefitter apprentice test after getting deal

city of burbank pipefitter apprentice test wef tamu edu - Feb 09 2023

web city of burbank pipefitter apprentice test downloaded from wef tamu edu by guest tyrese dakota southern pacific bulletin c h beck vols 30 54 1932 46 issued in 2 separately paged sections general editorial section and a transactions section beginning in 1947 the transactions section is continued as sae quarterly

cityofburbankpipefitterapprenticetest download only - Dec 27 2021

web 2 building inspections community development city of burbank building inspectors 39 office hours are from monday friday 7 00 a m 8 00 a m and 3 00 p m 3 30 p m

pipefitter aptitude test free guide and practice questions jobtestprep - Aug 15 2023

web the pipefitter is a screening test used by local unions in the u s and canada to screen candidates who want to be accepted to a union apprentice program the screening test used by unions in the us is different from those administered to

pre apprentice aptitude test study guide r electricians reddit - May 12 2023

web mar 11 2022 my husband just recently applied for a few apprenticeship programs through the city of burbank and needs to prep for the pre apprenticeship test does anyone know of any reputable study guide or what subjects specifically he should brush up on i can t seem to find a study book online specifically for pre apprenticeship aptitude tests

city of burbank pipefitter apprentice test pdf download only - Dec 07 2022

web city of burbank pipefitter apprentice test pdf city of burbank pipefitter apprentice test pdf book review unveiling the magic of language in a digital era where connections and knowledge reign supreme the enchanting power of

city of burbank pipefitter apprentice test test - Aug 03 2022

web city of burbank pipefitter apprentice test is obtainable in our pdf gathering an online access to it is set as public so you can get it promptly if you associate way such a referred city of burbank pipefitter apprentice test books that will find the money for you worth get the unequivocally best seller from us currentlyfrom

city of burbank hiring pipefitter apprentice in burbank california - Apr 11 2023

web pipefitter apprentice city of burbank burbank ca pipefitter apprentice city of burbank burbank ca 3 weeks ago be among the first 25 applicants see who city of burbank has hired for this role