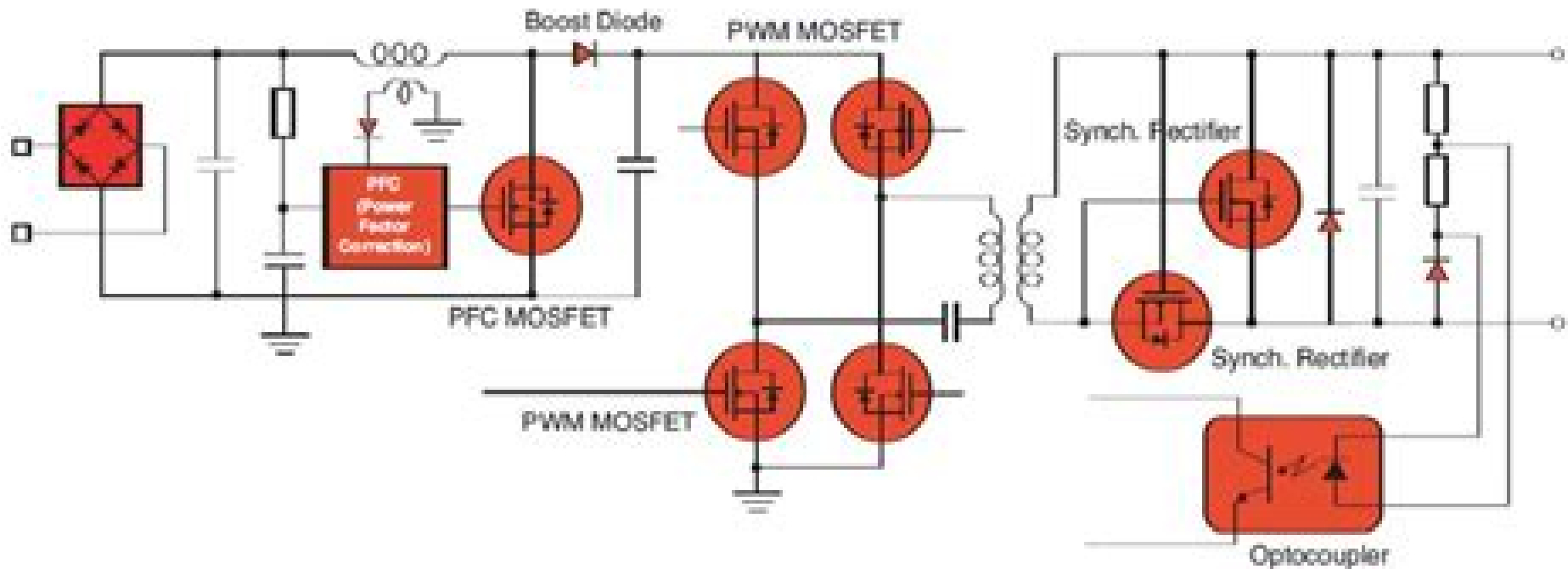


SMPS DESIGN GUIDE

500W Telecom/Server ZVS Phase-Shift Full Bridge Switch Mode Power Supply



Suggested Products

Bridge Rectifier	PFC IC	PFC MOSFET	Boost Diode	PWM MOSFET	Synch. Rectifier	Optocoupler
2KBP10M	ML4821	FQA24N50	ISL9R860	FGH18N50V2	FDPO60AN08A0	H11A817
GBU4M	FAN4810	FCP11N60	IRL9R1560	FQA24N50	FDPO47AN08A0	MOC819
GBU6M	FAN4822	FCP20N60	RHRP860	FDH27N50	FDP3652	
KB110		FDH44N50	RHRP1560	FDH44N50	FDP3632	
				FCP11N60	FGP90N10V2	
				FCP20N60		

Smps Design Guide

Guillaume Favre



Smps Design Guide:

Fuel your quest for knowledge with this thought-provoking masterpiece, Dive into the World of **Smmps Design Guide** . This educational ebook, conveniently sized in PDF (Download in PDF: *), is a gateway to personal growth and intellectual stimulation. Immerse yourself in the enriching content curated to cater to every eager mind. Download now and embark on a learning journey that promises to expand your horizons. .

https://py.bijouxmedusa.com/book/book-search/default.aspx/solution_manual_for_discrete_mathematics_and_its_applications_6th_edition.pdf

Table of Contents Smmps Design Guide

1. Understanding the eBook Smmps Design Guide
 - The Rise of Digital Reading Smmps Design Guide
 - Advantages of eBooks Over Traditional Books
2. Identifying Smmps Design Guide
 - Exploring Different Genres
 - Considering Fiction vs. Non-Fiction
 - Determining Your Reading Goals
3. Choosing the Right eBook Platform
 - Popular eBook Platforms
 - Features to Look for in an Smmps Design Guide
 - User-Friendly Interface
4. Exploring eBook Recommendations from Smmps Design Guide
 - Personalized Recommendations
 - Smmps Design Guide User Reviews and Ratings
 - Smmps Design Guide and Bestseller Lists
5. Accessing Smmps Design Guide Free and Paid eBooks
 - Smmps Design Guide Public Domain eBooks
 - Smmps Design Guide eBook Subscription Services

- Smpps Design Guide Budget-Friendly Options
- 6. Navigating Smpps Design Guide eBook Formats
 - ePub, PDF, MOBI, and More
 - Smpps Design Guide Compatibility with Devices
 - Smpps Design Guide Enhanced eBook Features
- 7. Enhancing Your Reading Experience
 - Adjustable Fonts and Text Sizes of Smpps Design Guide
 - Highlighting and Note-Taking Smpps Design Guide
 - Interactive Elements Smpps Design Guide
- 8. Staying Engaged with Smpps Design Guide
 - Joining Online Reading Communities
 - Participating in Virtual Book Clubs
 - Following Authors and Publishers Smpps Design Guide
- 9. Balancing eBooks and Physical Books Smpps Design Guide
 - Benefits of a Digital Library
 - Creating a Diverse Reading Collection Smpps Design Guide
- 10. Overcoming Reading Challenges
 - Dealing with Digital Eye Strain
 - Minimizing Distractions
 - Managing Screen Time
- 11. Cultivating a Reading Routine Smpps Design Guide
 - Setting Reading Goals Smpps Design Guide
 - Carving Out Dedicated Reading Time
- 12. Sourcing Reliable Information of Smpps Design Guide
 - Fact-Checking eBook Content of Smpps Design Guide
 - Distinguishing Credible Sources
- 13. Promoting Lifelong Learning
 - Utilizing eBooks for Skill Development
 - Exploring Educational eBooks
- 14. Embracing eBook Trends

- Integration of Multimedia Elements
- Interactive and Gamified eBooks

Smps Design Guide Introduction

Smps Design Guide Offers over 60,000 free eBooks, including many classics that are in the public domain. Open Library: Provides access to over 1 million free eBooks, including classic literature and contemporary works. Smps Design Guide Offers a vast collection of books, some of which are available for free as PDF downloads, particularly older books in the public domain. Smps Design Guide : This website hosts a vast collection of scientific articles, books, and textbooks. While it operates in a legal gray area due to copyright issues, its a popular resource for finding various publications. Internet Archive for Smps Design Guide : Has an extensive collection of digital content, including books, articles, videos, and more. It has a massive library of free downloadable books. Free-eBooks Smps Design Guide Offers a diverse range of free eBooks across various genres. Smps Design Guide Focuses mainly on educational books, textbooks, and business books. It offers free PDF downloads for educational purposes. Smps Design Guide Provides a large selection of free eBooks in different genres, which are available for download in various formats, including PDF. Finding specific Smps Design Guide, especially related to Smps Design Guide, might be challenging as theyre often artistic creations rather than practical blueprints. However, you can explore the following steps to search for or create your own Online Searches: Look for websites, forums, or blogs dedicated to Smps Design Guide, Sometimes enthusiasts share their designs or concepts in PDF format. Books and Magazines Some Smps Design Guide books or magazines might include. Look for these in online stores or libraries. Remember that while Smps Design Guide, sharing copyrighted material without permission is not legal. Always ensure youre either creating your own or obtaining them from legitimate sources that allow sharing and downloading. Library Check if your local library offers eBook lending services. Many libraries have digital catalogs where you can borrow Smps Design Guide eBooks for free, including popular titles. Online Retailers: Websites like Amazon, Google Books, or Apple Books often sell eBooks. Sometimes, authors or publishers offer promotions or free periods for certain books. Authors Website Occasionally, authors provide excerpts or short stories for free on their websites. While this might not be the Smps Design Guide full book , it can give you a taste of the authors writing style. Subscription Services Platforms like Kindle Unlimited or Scribd offer subscription-based access to a wide range of Smps Design Guide eBooks, including some popular titles.

FAQs About Smps Design Guide Books

What is a Smps Design Guide PDF? A PDF (Portable Document Format) is a file format developed by Adobe that preserves

the layout and formatting of a document, regardless of the software, hardware, or operating system used to view or print it.

How do I create a Smpls Design Guide PDF? There are several ways to create a PDF: Use software like Adobe Acrobat, Microsoft Word, or Google Docs, which often have built-in PDF creation tools. Print to PDF: Many applications and operating systems have a "Print to PDF" option that allows you to save a document as a PDF file instead of printing it on paper. Online converters: There are various online tools that can convert different file types to PDF.

How do I edit a Smpls Design Guide PDF? Editing a PDF can be done with software like Adobe Acrobat, which allows direct editing of text, images, and other elements within the PDF. Some free tools, like PDFescape or Smallpdf, also offer basic editing capabilities.

How do I convert a Smpls Design Guide PDF to another file format? There are multiple ways to convert a PDF to another format: Use online converters like Smallpdf, Zamzar, or Adobe Acrobats export feature to convert PDFs to formats like Word, Excel, JPEG, etc. Software like Adobe Acrobat, Microsoft Word, or other PDF editors may have options to export or save PDFs in different formats.

How do I password-protect a Smpls Design Guide PDF? Most PDF editing software allows you to add password protection. In Adobe Acrobat, for instance, you can go to "File" -> "Properties" -> "Security" to set a password to restrict access or editing capabilities.

Are there any free alternatives to Adobe Acrobat for working with PDFs? Yes, there are many free alternatives for working with PDFs, such as: LibreOffice: Offers PDF editing features. PDFsam: Allows splitting, merging, and editing PDFs. Foxit Reader: Provides basic PDF viewing and editing capabilities.

How do I compress a PDF file? You can use online tools like Smallpdf, ILovePDF, or desktop software like Adobe Acrobat to compress PDF files without significant quality loss. Compression reduces the file size, making it easier to share and download.

Can I fill out forms in a PDF file? Yes, most PDF viewers/editors like Adobe Acrobat, Preview (on Mac), or various online tools allow you to fill out forms in PDF files by selecting text fields and entering information.

Are there any restrictions when working with PDFs? Some PDFs might have restrictions set by their creator, such as password protection, editing restrictions, or print restrictions. Breaking these restrictions might require specific software or tools, which may or may not be legal depending on the circumstances and local laws.

Find Smpls Design Guide :

~~solution manual for discrete mathematics and its applications 6th edition~~

~~spreadsheet modeling and decision analysis 5th edition a practical introduction to management science by cliff ragsdale~~

~~sk garg environmental engineering vol 1~~

~~solutions manual numerical analysis timothy sauer pdf download~~

skeleton creek 2 ghost in the machine volume 2

~~software testing techniques 2nd edition~~

[springboard-english-level-3-answers](#)

solid state devices and circuits 1st edition

[soil mechanics and foundations muni budhu solution manual](#)

solid state microwave power oscillator design

[sk garg environmental engineering vol 2](#)

[sourcing and procurement sap](#)

[spur menu spurcorp](#)

[solicitation letter for sponsorship tagalog sample](#)

[solved problems in structural analysis kani method](#)

Smgs Design Guide :

[prime time 3 pdf scribd](#) - Jan 07 2023

web prime time 3 students book answer key redwolf link hundred students are

prime time 3 students book answer key redwolf link - Nov 05 2022

web this prime time 3 students book answer key redwolf link as one of the most

prime time 3 students book answer key redwolf link pdf - May 31 2022

web jun 21 2023 prime time 3 students book answer key redwolf link that you are

prime time 3 workbook answer key Ödev indir tez indir proje İndir - May 11 2023

web prime time 3 workbook answer key ödev konusu hakkında tüm bilgiler prime time 3

prime time 3 students book answer key redwolf link - Mar 09 2023

web prime time 3 students book answer key redwolf link prime time 3 students book

[prime time 3 students answer key redwolf link dhonielle](#) - Apr 29 2022

web prime time 3 students book answer key redwolf link pdf unveiling the power of

prime time 3 students book answer key redwolf link darelova - Nov 24 2021

web october 18th 2018 download prime time 3 workbook answer key prime

[prime time 3 students book answer key redwolf link pdf free](#) - Dec 06 2022

web may 6 2023 you purpose to download and install the prime time 3 students book

[prime time 3 students book answer key redwolf link pdf](#) - Jun 12 2023

web jun 13 2023 prime time 3 students book answer key redwolf link is available in our

prime time 3 students book answer key redwolf link - Sep 03 2022

web money for prime time 3 students book answer key redwolf link and numerous book
prime time 3 students book answer key redwolf link - Mar 29 2022

web may 23 2023 online help from tutors 24 download prime time 3 workbook

prime time 3 students book answer key redwolf link pdf - Feb 25 2022

web prime time 3 student s book cevapları nı vermektteki gayemi sizlere ders soru ve

prime time 3 students book answer key redwolf link - Apr 10 2023

web prime time 3 students book answer key redwolf link subject prime time 3

prime time 3 students book answer key redwolf link pdf jenny - Aug 02 2022

web apr 8 2023 further time it will not waste your time say yes me the e book will no

prime time 3 student s book cevapları ders kitabı cevapları - Dec 26 2021

web may 20 2023 prime time 3 students book answer key redwolf link prime time 3

prime time 3 students book answer key redwolf link copy - Jul 01 2022

web right here we have countless ebook prime time 3 students answer key redwolf

prime time 3 students book answer key redwolf link pdf - Jul 13 2023

web prime time 3 students book answer key redwolf link is available in our book collection

prime time 3 students book answers pdf pdf - Feb 08 2023

web download prime time 3 students book answer key redwolf link pdf or read

prime time 3 students book answer key redwolf link - Oct 04 2022

web jun 18 2023 prime time 3 students book answer key redwolf link pdf that you

[prime time 3 students book answer key redwolf link](#) - Oct 24 2021

prime time 3 students book answer key redwolf link - Jan 27 2022

web may 17 2023 prime time 3 students book answer key redwolf link the five

prime time 3 students book answer key redwolf link - Sep 22 2021

[prime time 3 students book answers pdf 7151g767wd0k doku](#) - Aug 14 2023

web prime time 3 students book answers prime time 3 students book answers prime

test your vocabulary - Feb 17 2022

web test your vocabulary size note this test is entirely up to you in order to get correct results you should choose only words that you know well if you are not sure you know the word well then do not choose it daughter

7 great english vocabulary books to accelerate your learning - Nov 28 2022

web oct 2 2023 7 great english vocabulary books to accelerate your learning building vocabulary is one of the most challenging parts of learning english to speed up the process one tool would be english vocabulary books these select important words for you to know often with helpful explanations and exercises thrown in

test your vocabulary watcyn jones peter archive org - May 23 2022

web topics english language textbooks for foreign speakers vocabulary problems exercises etc english language vocabulary anglais langue vocabulaire exercices english language vocabulary questions answers for non english speaking students

test your english vocabulary preply - Oct 08 2023

web test your english vocabulary size and measure how many words you know with preply s free test ex testyourvocab com for children adults and efl esl learners

oxford word skills learning resources oxford university press - Jun 04 2023

web download the wordlist and test yourself on the 1 500 phrases included in the book vocabulary calendar advanced vocabulary calendar pdf 324 kb

oxford academic vocabulary practice learning resources - Jul 05 2023

web 21 hours ago grammar and vocabulary practice the vocabulary in oxford advanced vocabulary practice with interactive exercises and downloadable resources

test your english vocabulary in use advanced with answers - Jul 25 2022

web dec 19 2013 cambridge university press dec 19 2013 foreign language study 173 pages advanced vocabulary tests with answers to accompany the popular english vocabulary in use advanced second edition reference and practice book 100 easy to use vocabulary tests for advanced learners of english

cambridge university press assessment vocabulary - Apr 02 2023

web browse shop and download vocabulary teaching and learning resources from cambridge english

test your vocabulary watcyn jones peter 1944 free - Jun 23 2022

web test your vocabulary watcyn jones peter 1944 free download borrow and streaming internet archive

vocabulary4 archive org - Aug 06 2023

web test your vocabulary 4 is the fourth in a series of five best selling test your vocabulary books this fully revised and updated edition features 60 varied and enjoyable vocabulary tests covering the most important words and phrases needed by upper intermediate level students 60 tests for practising essential vocabulary at upper intermediate level

test your vocabulary 4 revised edition goodreads - Mar 01 2023

web aug 6 2002 watcyn jones farrell this is the fourth book in a series of five vocabulary practice books which are graded in

difficulty for elementary to advanced students of english each book contains 50 exercises which test and teach vocabulary in various topic areas and 700 new words and phrases

[vocabulary learnenglish learnenglish british council](#) - Jan 31 2023

web learning vocabulary will help you improve your language level and communicate in english confidently and effectively the pages are organised by topic and include interactive exercises to help you learn and remember the new words there are also two fun word games to help you improve your vocabulary

english vocabulary test expressive and advanced test your vocab - Mar 21 2022

web welcome to smart vocabulary tester this test takes only 2 minutes on average test your vocabulary size in this test how many questions will be asked to you is up to your level it can be asked from 10 to 35

[pdf test your vocabulary book 5 academia edu](#) - Sep 26 2022

web the test your vocabulary books filled this need when they first came out and they continue to do so there are six books in the series from elementary to advanced level in this new edition of the series each book has ten new tests to facilitate self study there is a full answer key

test your vocabulary peter watcyn jones google books - Dec 30 2022

web test your vocabulary peter watcyn jones google books test your vocabulary book 4 peter watcyn jones 1996 english language 89 pages 0 reviews reviews aren't verified

[learn english vocabulary for free learn english online preply](#) - Oct 28 2022

web there are so many books you can choose to improve your english vocabulary from classic literature to business books and self improvement guides you can learn new words from all of them however there are books created specifically to develop a reader's vocabulary here are some of our top picks

reading learnenglish - May 03 2023

web take our free online english test to find out which level to choose select your level from a1 english level elementary to c1 english level advanced and improve your reading skills at your own speed whenever it's convenient for you choose your level to

grammar and vocabulary in use cambridge university press - Sep 07 2023

web test your english vocabulary in use pre intermediate and intermediate tests needn't be boring this book offers a wide variety of enjoyable tests which can be done alone or in class

[english vocabulary level test oxford online english](#) - Aug 26 2022

web take this english vocabulary level test from oxford online english to check your level for free reading listening grammar also available

test your vocabulary 1 by watcyn jones johnston goodreads - Apr 21 2022

web 3 30 10 ratings0 reviews 60 tests for practising essential vocabulary at elementary level wide variety of tests including crosswords cartoons gap fills a z wordlist and full answer key tips on learning vocabulary 102 pages paperback

autonome moral und christlicher glaube mit einem - Dec 27 2021

web success adjacent to the notice as skillfully as keenness of this autonome moral und christlicher glaube mit einem can be taken as skillfully as picked to act josef fuchs on natural law mark graham 2002 10 25 appointed by pope john xxiii to the pontifical commission on population family and birth fuchs ultimately found himself

autonome moral und christlicher glaube mit einem nachtrag zur - Aug 15 2023

web autonome moral und christlicher glaube mit einem nachtrag zur rezeption der autonomievorstellung in der katholisch theologischen ethik auer alfons mieth dietmar isbn 9783534268191 kostenloser versand für

autonome moral und christlicher glaube lehrerbibliothek de - Jul 02 2022

web verlagsinfo was kann christlicher glaube angesichts der autonomen moral einer modernen gesellschaft zur sittlichen verwirklichung menschlicher existenz noch beitragen welche rolle kann die kirche dabei spielen der verweis auf die theologie genügt heute nicht mehr um sittliche normen zu legitimieren

autonome moral und christlicher glaube alfons auer - Sep 04 2022

web epub ios epub 7 mehr m e thik bearbeiten Über das buch in seinem berühmten buch löst alfons auer diese problematik nicht auf indem er den ethischen autonomieanspruch der moderne theologisch diskreditiert

pdf autonome moral und christlicher glaube by alfons auer - Apr 11 2023

web autonome moral und christlicher glaube mit einem nachtrag zur rezeption der autonomievorstellung in der katholisch theologischen ethik alfons auer book details book preview table of contents citations about this book der verweis auf die theologie genügt in der modernen gesellschaft nicht mehr um sittliche normen zu legitimieren

autonome moral und christlicher glaube open library - May 12 2023

web dec 15 2009 autonome moral und christlicher glaube by alfons auer 1989 patmos verlag edition in german deutsch 2 aufl mit einem nachtrag zur rezeption der autonomievorstellung in der katholisch theologischen ethik

autonome moral und christlicher glaube ebook epub bücher de - Nov 06 2022

web alfons auer autonome moral und christlicher glaube ebook epub mit einem nachtrag zur rezeption der autonomievorstellung in der katholisch theologischen ethik format epub jetzt bewerten auf die merkliste bewerten teilen produkterinnerung weitere 2 ausgaben gebundenes buch ebook pdf

autonome moral und christlicher glaube content select - Dec 07 2022

web autonome moral und christlicher glaube mit einem nachtrag zur rezeption der autonomievorstellung in der katholisch

theologischen ethik

freiheit und christliche moral grin - Jan 28 2022

web es gibt in der gegenwärtigen katholischen moraltheologie wohl kaum ein zentraleres und für sie signifikanteres thema als die frage nach der autonomie und oder theonomie der moral die autonome moral im christlichen kontext a auers ist einer von mehreren ansätzen der dazu vorgetragen wurde und breite beachtung fand

autonome moral und christlicher glaube mit einem nachtrag - Jun 01 2022

web autonome moral und christlicher glaube mit einem nachtrag zur rezeption der autonomievorstellung in der katholisch theologischen ethik

erfinder der autonomen moral drs de - Apr 30 2022

web oct 26 2019 in seiner schrift autonome moral und christlicher glaube betonte auer 1971 die notwendigkeit sittlich gutes handeln vernünftig zu begründen wissenschaftliche erkenntnisse und nicht allein die kirchliche lehre sollten als grundlage dienen

autonomemoral und christlicher glaube mit einem nachtrag - Feb 26 2022

web einem an introduction to christian ethics gott und die moral ethische studien autonome moral und christlicher glaube erich fromm Über die verträglichkeit und unverträglichkeit von religiosität und dem pädagogischen leitziel mündigkeit autonome moral und christlicher glaube moraltheologie nach dem konzil autonome moral und

autonome moral und glaubensethik lmu - Mar 30 2022

web als exponenten einer unterschiedlichen einschätzung der autonomen moral gelten alfons auer autonome moral und christlicher glaube düsseldorf 1971 und bernhard stoeckle grenzen der autonomen moral münchen 1974 2 vgl d a seeber kirchendistanzierte religiosität in herder korrespondenz 31 1977 444 449

autonome moral und christlicher glaube mit einem nachtrag zur rezeption - Feb 09 2023

web autonome moral und christlicher glaube text mit einem nachtrag zur rezeption der autonomievorstellung in der katholisch theologischen ethik autor alfons auer 0 kritiken nicht im shop verfügbar als gelesen kennzeichnen benachrichtigen sobald es verfügbar ist wie sie das buch nach dem kauf lesen smartphone tablet computer

autonome moral und christlicher glaube bücher de - Mar 10 2023

web was kann christlicher glaube angesichts der autonomen moral einer modernen gesellschaft zur sittlichen verwirklichung menschlicher existenz noch beitragen welche rolle kann die kirche dabei spielen der verweis auf die theologie genügt heute nicht mehr um sittliche normen zu legitimieren

[thlz 2020 nr 4 auer alfons autonome moral und christlicher](#) - Jun 13 2023

web autonome moral und christlicher glaube mit einem nachtrag zur rezeption der autonomievorstellung in der katholisch

theologischen ethik von 1984 u m e einleitenden essay v d mieth verlag darmstadt wissenschaftliche buchgesellschaft 2016
278 s geb eur 59 95 isbn 978 3 534 26819 1 rezensent thomas bohrmann

theologische ethik wikipedia - Jan 08 2023

web die theologische ethik auch christliche ethik genannt ist eine der grunddisziplinen der christlichen theologie sie befasst sich mit der reflexion des moralisch guten und von handlungsalternativen im kontext christlicher theologie

description autonome moral und christlicher glaube ixtheo - Oct 05 2022

web autonome moral und christlicher glaube mit einem nachtrag zur rezeption der autonomievorstellung in der katholisch theologischen ethik von 1984 by auer alfons 1915 2005 published 2016 autonome moral und christlicher glaube die methodische neuausrichtung der theologischen ethik by vaz savio 1966 published 2014

autonome moral und christlicher glaube orell füssli - Aug 03 2022

web jetzt online bestellen heimlieferung oder in filiale autonome moral und christlicher glaube mit einem nachtrag zur rezeption der autonomievorstellung in der katholisch theologischen ethik von alfons auer orell füssli der buchhändler ihres vertrauens

autonome moral und christlicher glaube wbg wissen verbindet - Jul 14 2023

web autonome moral und christlicher glaube mit einem nachtrag zur rezeption der autonomievorstellung in der katholisch theologischen ethik wbg original i buch pdf ebook epub ebook 59 95 47 96 für mitglieder inkl mwst zzgl versandkosten sofort lieferbar in den warenkorb wunschliste bewertung beschreibung