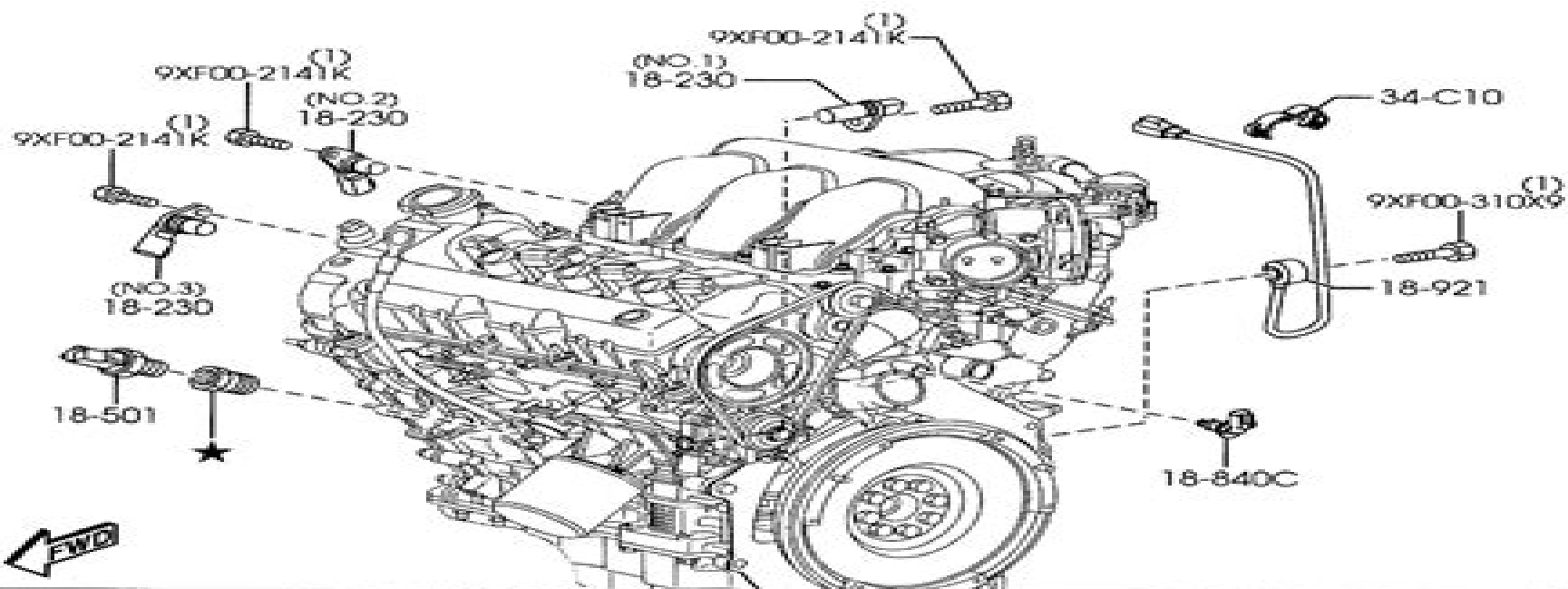
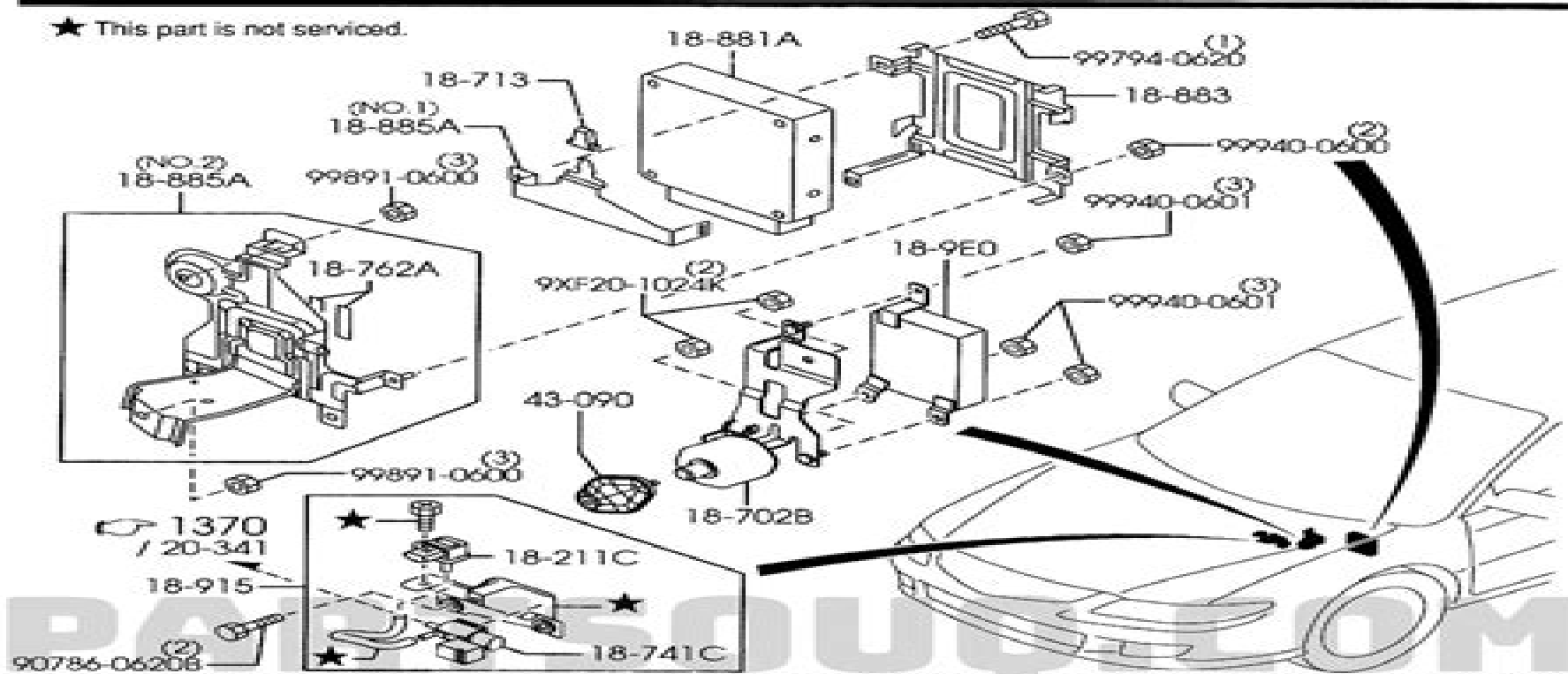


★ This part is not serviced.



← FWD

2004 Mazda 3 Powertrain Repair Guide

Daniela Niemeyer



2004 Mazda 3 Powertrain Repair Guide:

Immerse yourself in the artistry of words with is expressive creation, Immerse Yourself in **2004 Mazda 3 Powertrain Repair Guide** . This ebook, presented in a PDF format (Download in PDF: *), is a masterpiece that goes beyond conventional storytelling. Indulge your senses in prose, poetry, and knowledge. Download now to let the beauty of literature and artistry envelop your mind in a unique and expressive way.

https://py.bijouxmedusa.com/files/detail/index.jsp/53_2476_Crypto_Investing_Roadmap_For_Startups_53_462_Crypto_Investing.pdf

Table of Contents 2004 Mazda 3 Powertrain Repair Guide

1. Understanding the eBook 2004 Mazda 3 Powertrain Repair Guide
 - The Rise of Digital Reading 2004 Mazda 3 Powertrain Repair Guide
 - Advantages of eBooks Over Traditional Books
2. Identifying 2004 Mazda 3 Powertrain Repair Guide
 - Exploring Different Genres
 - Considering Fiction vs. Non-Fiction
 - Determining Your Reading Goals
3. Choosing the Right eBook Platform
 - Popular eBook Platforms
 - Features to Look for in an 2004 Mazda 3 Powertrain Repair Guide
 - User-Friendly Interface
4. Exploring eBook Recommendations from 2004 Mazda 3 Powertrain Repair Guide
 - Personalized Recommendations
 - 2004 Mazda 3 Powertrain Repair Guide User Reviews and Ratings
 - 2004 Mazda 3 Powertrain Repair Guide and Bestseller Lists
5. Accessing 2004 Mazda 3 Powertrain Repair Guide Free and Paid eBooks
 - 2004 Mazda 3 Powertrain Repair Guide Public Domain eBooks
 - 2004 Mazda 3 Powertrain Repair Guide eBook Subscription Services

- 2004 Mazda 3 Powertrain Repair Guide Budget-Friendly Options
- 6. Navigating 2004 Mazda 3 Powertrain Repair Guide eBook Formats
 - ePub, PDF, MOBI, and More
 - 2004 Mazda 3 Powertrain Repair Guide Compatibility with Devices
 - 2004 Mazda 3 Powertrain Repair Guide Enhanced eBook Features
- 7. Enhancing Your Reading Experience
 - Adjustable Fonts and Text Sizes of 2004 Mazda 3 Powertrain Repair Guide
 - Highlighting and Note-Taking 2004 Mazda 3 Powertrain Repair Guide
 - Interactive Elements 2004 Mazda 3 Powertrain Repair Guide
- 8. Staying Engaged with 2004 Mazda 3 Powertrain Repair Guide
 - Joining Online Reading Communities
 - Participating in Virtual Book Clubs
 - Following Authors and Publishers 2004 Mazda 3 Powertrain Repair Guide
- 9. Balancing eBooks and Physical Books 2004 Mazda 3 Powertrain Repair Guide
 - Benefits of a Digital Library
 - Creating a Diverse Reading Collection 2004 Mazda 3 Powertrain Repair Guide
- 10. Overcoming Reading Challenges
 - Dealing with Digital Eye Strain
 - Minimizing Distractions
 - Managing Screen Time
- 11. Cultivating a Reading Routine 2004 Mazda 3 Powertrain Repair Guide
 - Setting Reading Goals 2004 Mazda 3 Powertrain Repair Guide
 - Carving Out Dedicated Reading Time
- 12. Sourcing Reliable Information of 2004 Mazda 3 Powertrain Repair Guide
 - Fact-Checking eBook Content of 2004 Mazda 3 Powertrain Repair Guide
 - Distinguishing Credible Sources
- 13. Promoting Lifelong Learning
 - Utilizing eBooks for Skill Development
 - Exploring Educational eBooks
- 14. Embracing eBook Trends

- Integration of Multimedia Elements
- Interactive and Gamified eBooks

2004 Mazda 3 Powertrain Repair Guide Introduction

In today's digital age, the availability of 2004 Mazda 3 Powertrain Repair Guide books and manuals for download has revolutionized the way we access information. Gone are the days of physically flipping through pages and carrying heavy textbooks or manuals. With just a few clicks, we can now access a wealth of knowledge from the comfort of our own homes or on the go. This article will explore the advantages of 2004 Mazda 3 Powertrain Repair Guide books and manuals for download, along with some popular platforms that offer these resources. One of the significant advantages of 2004 Mazda 3 Powertrain Repair Guide books and manuals for download is the cost-saving aspect. Traditional books and manuals can be costly, especially if you need to purchase several of them for educational or professional purposes. By accessing 2004 Mazda 3 Powertrain Repair Guide versions, you eliminate the need to spend money on physical copies. This not only saves you money but also reduces the environmental impact associated with book production and transportation. Furthermore, 2004 Mazda 3 Powertrain Repair Guide books and manuals for download are incredibly convenient. With just a computer or smartphone and an internet connection, you can access a vast library of resources on any subject imaginable. Whether you're a student looking for textbooks, a professional seeking industry-specific manuals, or someone interested in self-improvement, these digital resources provide an efficient and accessible means of acquiring knowledge. Moreover, PDF books and manuals offer a range of benefits compared to other digital formats. PDF files are designed to retain their formatting regardless of the device used to open them. This ensures that the content appears exactly as intended by the author, with no loss of formatting or missing graphics. Additionally, PDF files can be easily annotated, bookmarked, and searched for specific terms, making them highly practical for studying or referencing. When it comes to accessing 2004 Mazda 3 Powertrain Repair Guide books and manuals, several platforms offer an extensive collection of resources. One such platform is Project Gutenberg, a nonprofit organization that provides over 60,000 free eBooks. These books are primarily in the public domain, meaning they can be freely distributed and downloaded. Project Gutenberg offers a wide range of classic literature, making it an excellent resource for literature enthusiasts. Another popular platform for 2004 Mazda 3 Powertrain Repair Guide books and manuals is Open Library. Open Library is an initiative of the Internet Archive, a non-profit organization dedicated to digitizing cultural artifacts and making them accessible to the public. Open Library hosts millions of books, including both public domain works and contemporary titles. It also allows users to borrow digital copies of certain books for a limited period, similar to a library lending system. Additionally, many universities and educational institutions have their own digital libraries that provide free access to PDF books and manuals. These libraries often offer academic texts, research papers, and technical manuals,

making them invaluable resources for students and researchers. Some notable examples include MIT OpenCourseWare, which offers free access to course materials from the Massachusetts Institute of Technology, and the Digital Public Library of America, which provides a vast collection of digitized books and historical documents. In conclusion, 2004 Mazda 3 Powertrain Repair Guide books and manuals for download have transformed the way we access information. They provide a cost-effective and convenient means of acquiring knowledge, offering the ability to access a vast library of resources at our fingertips. With platforms like Project Gutenberg, Open Library, and various digital libraries offered by educational institutions, we have access to an ever-expanding collection of books and manuals. Whether for educational, professional, or personal purposes, these digital resources serve as valuable tools for continuous learning and self-improvement. So why not take advantage of the vast world of 2004 Mazda 3 Powertrain Repair Guide books and manuals for download and embark on your journey of knowledge?

FAQs About 2004 Mazda 3 Powertrain Repair Guide Books

1. Where can I buy 2004 Mazda 3 Powertrain Repair Guide books? Bookstores: Physical bookstores like Barnes & Noble, Waterstones, and independent local stores. Online Retailers: Amazon, Book Depository, and various online bookstores offer a wide range of books in physical and digital formats.
2. What are the different book formats available? Hardcover: Sturdy and durable, usually more expensive. Paperback: Cheaper, lighter, and more portable than hardcovers. E-books: Digital books available for e-readers like Kindle or software like Apple Books, Kindle, and Google Play Books.
3. How do I choose a 2004 Mazda 3 Powertrain Repair Guide book to read? Genres: Consider the genre you enjoy (fiction, non-fiction, mystery, sci-fi, etc.). Recommendations: Ask friends, join book clubs, or explore online reviews and recommendations. Author: If you like a particular author, you might enjoy more of their work.
4. How do I take care of 2004 Mazda 3 Powertrain Repair Guide books? Storage: Keep them away from direct sunlight and in a dry environment. Handling: Avoid folding pages, use bookmarks, and handle them with clean hands. Cleaning: Gently dust the covers and pages occasionally.
5. Can I borrow books without buying them? Public Libraries: Local libraries offer a wide range of books for borrowing. Book Swaps: Community book exchanges or online platforms where people exchange books.
6. How can I track my reading progress or manage my book collection? Book Tracking Apps: Goodreads, LibraryThing, and Book Catalogue are popular apps for tracking your reading progress and managing book collections. Spreadsheets:

You can create your own spreadsheet to track books read, ratings, and other details.

7. What are 2004 Mazda 3 Powertrain Repair Guide audiobooks, and where can I find them? Audiobooks: Audio recordings of books, perfect for listening while commuting or multitasking. Platforms: Audible, LibriVox, and Google Play Books offer a wide selection of audiobooks.
8. How do I support authors or the book industry? Buy Books: Purchase books from authors or independent bookstores. Reviews: Leave reviews on platforms like Goodreads or Amazon. Promotion: Share your favorite books on social media or recommend them to friends.
9. Are there book clubs or reading communities I can join? Local Clubs: Check for local book clubs in libraries or community centers. Online Communities: Platforms like Goodreads have virtual book clubs and discussion groups.
10. Can I read 2004 Mazda 3 Powertrain Repair Guide books for free? Public Domain Books: Many classic books are available for free as they're in the public domain. Free E-books: Some websites offer free e-books legally, like Project Gutenberg or Open Library.

Find 2004 Mazda 3 Powertrain Repair Guide :

[53-2476 crypto investing roadmap for startups](#) [53-462 crypto investing mobile app ideas checklist for entrepreneurs](#) [53-942 mobile app ideas entrepreneurs](#) [53-1340 weight loss tools for creators](#) [53-358 weight loss for creators](#) [53-1022 luxury travel roadmap for entrepreneurs](#) [53-1883 mobile app ideas apps USA](#) [53-828 mobile app ideas best practices United](#) [53-2138 resume writing step by step for creators](#) [53-1425 resume writing startups](#) [53-2545 startup funding strategies USA](#) [53-1595 startup funding review America](#) [53-1220 machine learning basics review USA](#) [53-167 machine business](#) [53-1140 VPN services guide for startups](#) [53-1241 VPN services for creators](#) [53-2647 content marketing strategies for entrepreneurs step by step for entrepreneurs](#) [53-883 passive income ideas strategies beginners United States](#) [53-109 electric vehicles for beginners for](#) [53-2188 travel tips best practices for small business](#) [53-1194 travel America](#) [53-2464 Instagram growth tools USA](#) [53-1268 Instagram growth review America](#) [53-333 content marketing review for creators](#) [53-384](#)

2004 Mazda 3 Powertrain Repair Guide :

[electrochemical methods fundamentals and applications 3rd](#) - Feb 10 2023

web electrochemical methods fundamentals and applications 3rd edition electrochemical methods fundamentals and applications 3rd edition by allen j bard larry r faulkner henry s white may 2022 hardcover welcome to the companion site for electrochemical methods fundamentals and applications 3rd edition

electrochemical methods fundamentals and applications - Jan 29 2022

web methods fundamentals and applications allen j bard 5 basic potential step methods 156 6 00 potential sweep methods 226 7 polarography and pulse voltammetry 261 8 controlled current techniques 305 9 methods involving forced convection hydrodynamic methods 331 10 00 techniques based on concepts of impedance 368 11 1 bulk

electrochemical methods fundamentals and applications - Aug 04 2022

web dec 18 2000 electrochemical methods fundamentals and applications allen j bard larry r faulkner google books this edition is fully revised to reflect the current state off the field significant additions include ultramicroelectrodes modified electrodes and scanning probe methods

electrochemical methods fundamentals and applications - Sep 05 2022

web electrochemical methods fundamentals and applications preparing publication

[electrochemical methods fundamentals and applications 3rd](#) - Dec 08 2022

web electrochemical methods fundamentals and applications 3rd edition wiley

allen j bard and larry r faulkner electrochemical methods - Mar 31 2022

web allen j bard and larry r faulkner electrochemical methods fundamentals and applications new york wiley 2001 2nd ed springerlink home russian journal of electrochemistry article

allen j bard larry r faulkner henry s white electrochemical - Jan 09 2023

web sep 13 2023 electrochemical methods are crucial in numerous scientific fields for fundamentals and applications at the interface of chemistry physics and biology both for novices and experts electrochemists the book of bard and faulkner is an essential reference since its first edition in 1980

[electrochemical methods fundamentals and applications](#) - Mar 11 2023

web may 31 2022 the third edition of electrochemical methods has been extensively revised to reflect the evolution of electrochemistry over the past two decades highlighting significant developments in the

electrochemical methods fundamentals and applications - Jul 03 2022

web electrochemical methods fundamentals and applications

[electrochemical methods fundamentals and applications 3rd](#) - Apr 12 2023

web electrochemical methods fundamentals and applications 3rd edition wiley the latest edition of a classic textbook in electrochemistry the third edition of electrochemical methods has been extensively revised to reflect the evolution of electrochemistry over the past two decades highlighting significant developments in the understanding of [electrochemical methods fundamentals and applications](#) - Jul 15 2023

web a review of a book intended to serve as both a course text at the senior graduate level and as a reference book for those who wish to evaluate electrochemical methods as research tools electrochemical methods fundamentals and applications journal of

electrochemical methods fundamentals and applications 2nd - May 01 2022

web takes the reader from the most basic chemical and physical principles through fundamentals of thermodynamics kinetics and mass transfer to a thorough treatment of all important experimental methods treats application of electrochemical methods to elucidation of reaction mechanisms double layer structure and surface processes and [electrochemical methods fundamentals and applications 2nd](#) - Aug 16 2023

web a broad and comprehensive survey of the fundamentals for electrochemical methods now in widespread use this book is meant as a textbook and can also be used for self study as well as for courses at the senior undergraduate and beginning graduate levels

[electrochemical methods fundamentals and applications](#) - Nov 07 2022

web includes bibliographical references and index contents overview of electrode process potentials and thermodynamics of cells basic kinetics of electrode reactions mass transfer by migration and diffusion

electrochemical methods fundamentals and applications 3rd - May 13 2023

web this latest edition of electrochemical methods contains numerous problems and chemical examples with illustrations that serve to illuminate the concepts contained within in a way that will assist both student and mid career practitioner significant updates a

electrochemical methods fundamentals and applications 3rd - Jun 14 2023

web electrochemical methods fundamentals and applications 3rd edition allen j bard larry r faulkner henry s white isbn 978 1 119 33407 1 april 2022 1104 pages e book from 133 00 print from 165 95 e book 133 00 hardcover pre order 165 95 read an excerpt excerpt pdf excerpt pdf excerpt pdf download product flyer

electrochemical methods fundamentals and applications - Feb 27 2022

web electrochemical methods fundamentals and applications by bard allen j publication date 1980 topics electrochemistry publisher new york wiley

reducing the resistance for the use of electrochemical impedance - Dec 28 2021

web electrochemical impedance spectroscopy eis is a highly applicable electrochemical analytical and non invasive technique for materials characterization which allows the user to evaluate the impact efficiency and magnitude of different components within an electrical circuit at a higher resolution than other common electrochemical

electrochemical methods fundamentals and applications - Oct 06 2022

web oct 1 2003 the book consists of 18 chapters that cover comprehensively the fundamentals of electrochemical methods chapters 1 4 handle electrode processes thermodynamics and potential and electron and mass transfer kinetics chapters 5 11 integrate the basic chemical principles into the various electrochemical techniques

electrochemical methods fundamentals and applications - Jun 02 2022

web electrochemical methods fundamentals and applications allen j bard and larry r faulkner john wiley sons inc new york ny 1980 xviii 718 pp figs and tables 17 x 23 5 cm 29 95 this book is intended to serve as both a course text at the senior graduate level and as a reference hook for those who wish to

nur gut gemeint gewalt in der intensivpflege top im - Jun 30 2023

web buy nur gut gemeint gewalt in der intensivpflege top im gesundheitsjob 1 aufl 2020 by schönemann alexandra styrski claudia isbn 9783662605738 from amazon s book store everyday low prices and free delivery on eligible orders

[nur gut gemeint gewalt in der intensivpflege alibris](#) - Mar 28 2023

web buy nur gut gemeint gewalt in der intensivpflege by alexandra sch nemann claudia styrski illustrator online at alibris we have new and used copies available in 1 editions starting at 4 50 shop now

[nur gut gemeint gewalt in der intensivpflege google books](#) - Apr 28 2023

web warum wird jemand der einen beruf ergreift um anderen zu helfen plötzlich gewalttätig gegenüber seinen patienten frustration und stress sind wichtige einflussfaktoren für die entstehung von

nur gut gemeint gewalt in der intensivpflege paperback - Aug 21 2022

web nur gut gemeint gewalt in der intensivpflege available in paperback nur gut gemeint gewalt in der intensivpflege by alexandra schönemann claudia styrski view more read reviews add to wishlist isbn 10 3662605732 isbn 13 9783662605738

pub date 01 17 2020

nur gut gemeint gewalt in der intensivpflege top - Nov 23 2022

web nur gut gemeint gewalt in der intensivpflege top ethische konflikte und moral distress auf intensivstationen feb 27 2021 fabian graeb führte eine befragung von 262 pflegekräften auf intensivstationen im raum stuttgart durch im fokus standen ethische konflikte moralischer stress und damit

gewalt in der intensiv pflege springerlink - May 18 2022

web jan 18 2020 gewalt ist aus gründen von angst scham und fehlenden beweismitteln der opfer und täter immer noch ein

tabuthema ganz besonders in der pflege denn eigentlich dienen pflegeeinrichtungen den patienten zu schutz hilfe und fürsorge wird in der Öffentlichkeit über gewalt in der pflege berichtet so ist dies sofort ein skandal

nur gut gemeint gewalt in der intensivpflege top im - Jun 18 2022

web gewalt in der intensivpflege top im intensivpflege amp ambulante intensivpflege zu hause pflege de ausserklinische intensivpflege stundenlohn zurück ins das gegenteil von gut ist gut gemeint e bok daniel gewalt in der pflege darf nicht ignoriert werden

nur gut gemeint gewalt in der intensivpflege springerlink - Oct 03 2023

web dieses buch soll pflegende und andere berufsgruppen auf der intensivstation dafür sensibilisieren dass das potential für gewalt in diesem speziellen arbeitsumfeld groß ist es klärt über die ursachen und gewaltformen auf und zeigt konkrete präventionsmaßnahmen

[alexandra schönemann springer](#) - Jan 26 2023

web top im gesundheitsjob bietet ihnen zum schnellen nachlesen und anwenden 5 wissen rund um themen für eine bessere ausgangs nur gut gemeint gewalt in der intensivpflege alexandra schönemann heidelberg deutschland issn 2625 9400 issn 2625 9419 electronic top im gesundheitsjob

[nur gut gemeint gewalt in der intensivpflege top im](#) - May 30 2023

web nur gut gemeint gewalt in der intensivpflege top im gesundheitsjob german edition 9783662605738 medicine health science books amazon com

nur gut gemeint gewalt in der intensivpflege researchgate - Feb 24 2023

web jan 1 2020 gewalt in der intensivpflege grenze übersehen grenze überschritten dieses buch soll pflegende und andere berufsgruppen auf der intensivstation dafür sensibilisieren dass find

nur gut gemeint 9783662605738 9783662605745 vitalsource - Oct 23 2022

web nur gut gemeint gewalt in der intensivpflege is written by alexandra schönemann and published by springer the digital and etextbook isbn for nur gut gemeint are 9783662605745 3662605740 and the print isbn are 9783662605738 3662605732

gewalt in der pflege undenkbar springerlink - Dec 25 2022

web jan 18 2020 zusammenfassung kennen sie das auch sie befinden sich auf einer intensivstation und betreuen im frühdienst drei intensivpatienten von denen zwei im künstlichen koma und beatmet sind und einer gerade von ihnen frisch extubiert wurde er ist wach spontan ansprechbar und bereits zu fast allen qualitäten orientiert

[nur gut gemeint gewalt in der intensivpflege top copy](#) - Feb 12 2022

web nur gut gemeint gewalt in der intensivpflege top refresher course aktuelles wissen für anästhesisten mar 02 2021

frischen sie regelmäßig ihr wissen auf schnell und bequem mit den jährlich erscheinenden refresher kursen der daaf die aktuellen themen der anaesthesiologie intensivtherapie

nur gut gemeint gewalt in der intensivpflege top im - Aug 01 2023

web dieses buch soll pflegende und andere berufsgruppen auf der intensivstation dafür sensibilisieren dass das potential für gewalt in diesem speziellen arbeitsumfeld groß ist es klärt über die ursachen und gewaltformen auf und zeigt konkrete präventionsmaßnahmen

formen der gewalt springerpflege de - Sep 21 2022

web in der pflege steht die form der finanziellen gewalt häufig in verbindung mit anderen gewaltebenen besonders mit der physischen und psychischen gewalt in form von

gewalt in der pflege pflege medizin planet wissen - Mar 16 2022

web gewalt in der pflege ist keine einbahnstraße in der pflege verläuft gewalt häufig subtil und wird oft nicht als solche begriffen missachtung des willens soziale isolierung verletzung des schamgefühls einschränkung der bewegungsfreiheit mangel an ernährung und hygiene all das sind formen der gewalt ein pflegebedürftiger

nur gut gemeint gewalt in der intensivpflege top im zvb - Jul 20 2022

web nur gut gemeint gewalt in der intensivpflege top im gesundheitsjob von schönemann alexandra beim zvb com isbn 10 3662605732 isbn 13 9783662605738 springer 2020 softcover

nur gut gemeint gewalt in der intensivpflege top im gesundheitsjob - Sep 02 2023

web dieses buch soll pflegende und andere berufsgruppen auf der intensivstation dafür sensibilisieren dass das potential für gewalt in diesem speziellen arbeitsumfeld groß ist es klärt über die ursachen und gewaltformen auf und zeigt konkrete präventionsmaßnahmen

nur gut gemeint gewalt in der intensivpflege top im - Apr 16 2022

web nur gut gemeint gewalt in der intensivpflege top im gesundheitsjob schönemann alexandra styrski claudia amazon in

cassandra the definitive guide book o reilly media - Nov 05 2022

web may 12 2020 cassandra the definitive guide distributed data at web scale carpenter jeff hewitt eben 9781098115166 books amazon ca

cassandra the definitive guide distributed data at web scale - Feb 25 2022

web apr 18 2020 if you are still wondering how to get free pdf epub of book cassandra the definitive guide distributed data at web scale by jeff carpenter click on below

cassandra the definitive guide distributed data at - May 11 2023

web if you re a developer dba or application architect looking to solve a database scaling issue or future proof your application this guide helps you harness cassandra s speed and

cassandra the definitive guide 3e distributed data at web - Dec 06 2022

web apr 17 2020 amazon in buy cassandra the definitive guide distributed data at web scale book online at best prices in india on amazon in read cassandra the

books cassandra the definitive guide distributed data at - Jan 07 2023

web with this hands on guide you ll learn how apache cassandra handles hundreds of terabytes of data while remaining highly available across multiple data centers

cassandra the definitive guide revised third edition - May 31 2022

web cassandra was open sourced by facebook in july 2008 this original version of cassandra was written primarily by an ex employee from amazon and one from

cassandra the definitive guide distributed data at web scale - Jul 13 2023

web nov 30 2010 cassandra the definitive guide provides the technical details and practical examples you need to assess this database management system and put it to

cassandra the definitive guide distributed data at web scale - Jul 01 2022

web feb 4 2022 understand cassandra s distributed and decentralized structure use the cassandra query language cql and cqlsh the cql shell create a working data

cassandra the definitive guide distributed data at web scale - Sep 03 2022

web with this hands on guide you ll learn how the cassandra database management system handles hundreds of terabytes of data while remaining highly available across multiple

cassandra the definitive guide distributed data at web scale - Nov 24 2021

cassandra the definitive guide 3rd edition o reilly media - Mar 09 2023

web with this hands on guide you ll learn how the cassandra database management system handles hundreds of terabytes of data while remaining highly available across multiple

cassandra the definitive guide distributed data at web scale - Apr 29 2022

web feb 4 2022 understand cassandra s distributed and decentralized structure use the cassandra query language cql and cqlsh the cql shell create a working data

cassandra the definitive guide distributed data at web scale - Oct 04 2022

web cassandra the definitive guide revised third edition distributed data at web scale jeff carpenter amazon com au books

pdf epub cassandra the definitive guide distributed data - Dec 26 2021

web read download pdf cassandra the definitive guide distributed data at web scale free update the latest version with high quality try now

cassandra the definitive guide github - Mar 29 2022

web eben hewitt jeff carpenter imagine what you could do if scalability wasn t a problem with this hands on guide you ll learn how the cassandra database management

cassandra the definitive guide revised third edition - Aug 02 2022

web cassandra the definitive guide revised third edition distributed data at web scale o reilly media 3 2022 jeff carpenter eben hewitt why to buy this hands on guide

cassandra the definitive guide distributed data at - Apr 10 2023

web jun 29 2016 understand cassandra s distributed and decentralized structure use the cassandra query language cql and cqlsh the cql shell create a working data

cassandra the definitive guide distributed data at web scale - Jun 12 2023

web may 12 2020 cassandra the definitive guide distributed data at web scale 3rd edition by jeff carpenter author eben hewitt author 23 ratings isbn 13 978

cassandra the definitive guide revised third - Aug 14 2023

web apr 6 2020 imagine what you could do if scalability wasn t a problem with this hands on guide you ll learn how the cassandra database management system handles

cassandra the definitive guide distributed data at web scale - Oct 24 2021

cassandra the definitive guide distributed data at - Feb 08 2023

web apr 17 2020 data storage management buy new 55 99 free returns free delivery monday february 20 details select delivery location only 1 left in stock add to

cassandra the definitive guide distributed data at web scale - Jan 27 2022

web cassandra the definitive guide distributed data at web scale 3 ed 1098115163 9781098115166 imagine what you could do if scalability wasn t a problem with this