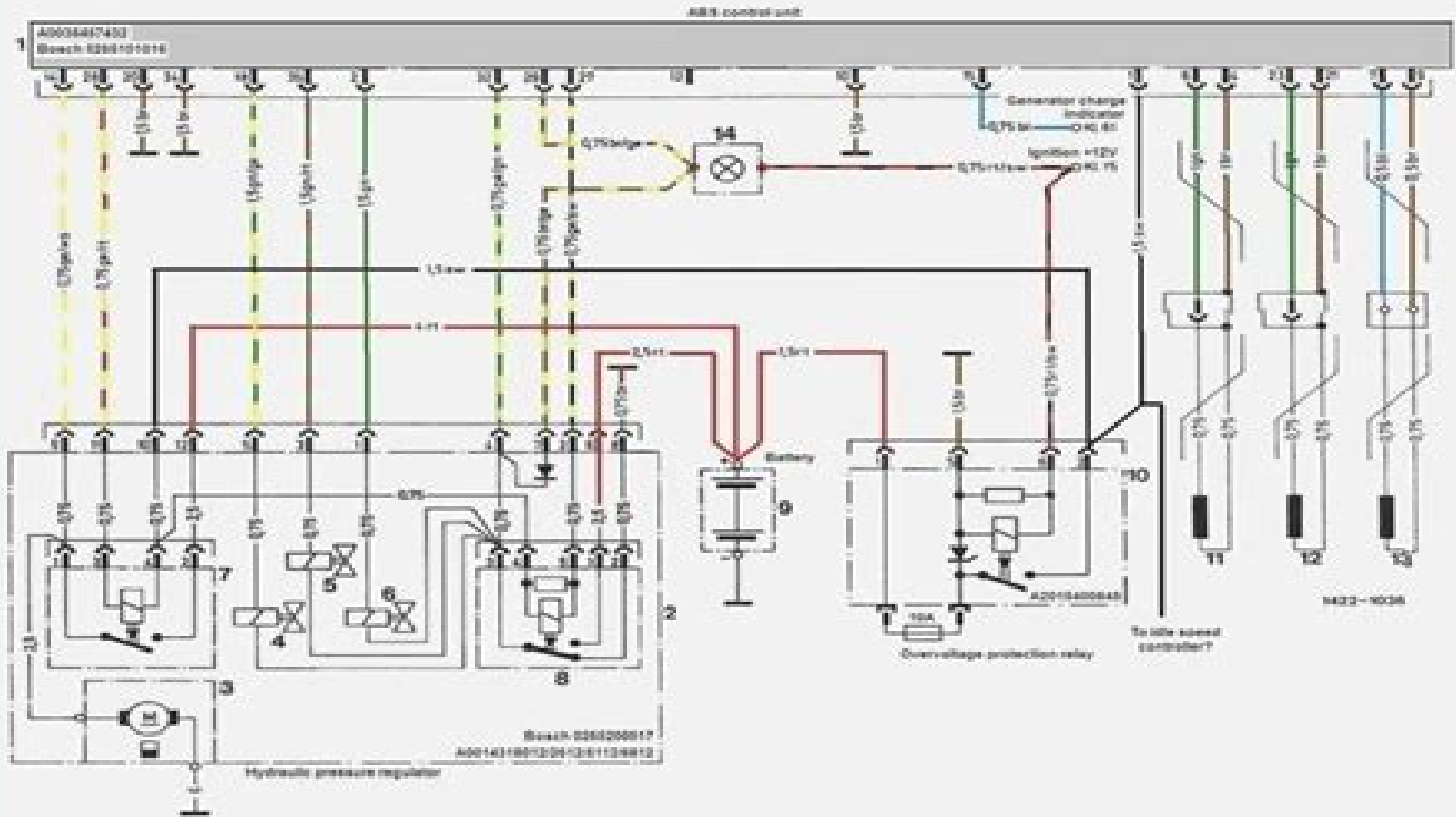


ABS wiring diagram



- 1 Electronic control unit
- 2 Hydraulic unit
- 3 Return pump motor
- 4 Solenoid valve for rear axle
- 5 Solenoid valve for front axle, right
- 6 Solenoid valve for front axle, left
- 7 Relay for return pump motor
- 8 Relay for solenoid valves
- 9 Battery

- 10 Overvoltage protection relay, also for idle speed control
- 11 Left front wheel speed sensor
- 12 Right front wheel speed sensor
- 13 Rear wheels speed sensor
- 14 ABS warning lamp

230e Wiring Diagram

Siddappa N.Byrareddy



230e Wiring Diagram:

As recognized, adventure as competently as experience approximately lesson, amusement, as with ease as conformity can be gotten by just checking out a ebook **230e Wiring Diagram** along with it is not directly done, you could say you will even more approaching this life, on the world.

We have enough money you this proper as skillfully as simple artifice to get those all. We meet the expense of 230e Wiring Diagram and numerous books collections from fictions to scientific research in any way. in the course of them is this 230e Wiring Diagram that can be your partner.

<https://py.bijouxmedusa.com/About/browse/fetch.php/nft%20marketplace%20roadmap%20for%20startups%202%202166%20nft%20marketplace%20software%20usa.pdf>

Table of Contents 230e Wiring Diagram

1. Understanding the eBook 230e Wiring Diagram
 - The Rise of Digital Reading 230e Wiring Diagram
 - Advantages of eBooks Over Traditional Books
2. Identifying 230e Wiring Diagram
 - Exploring Different Genres
 - Considering Fiction vs. Non-Fiction
 - Determining Your Reading Goals
3. Choosing the Right eBook Platform
 - Popular eBook Platforms
 - Features to Look for in an 230e Wiring Diagram
 - User-Friendly Interface
4. Exploring eBook Recommendations from 230e Wiring Diagram
 - Personalized Recommendations
 - 230e Wiring Diagram User Reviews and Ratings
 - 230e Wiring Diagram and Bestseller Lists

5. Accessing 230e Wiring Diagram Free and Paid eBooks
 - 230e Wiring Diagram Public Domain eBooks
 - 230e Wiring Diagram eBook Subscription Services
 - 230e Wiring Diagram Budget-Friendly Options
6. Navigating 230e Wiring Diagram eBook Formats
 - ePub, PDF, MOBI, and More
 - 230e Wiring Diagram Compatibility with Devices
 - 230e Wiring Diagram Enhanced eBook Features
7. Enhancing Your Reading Experience
 - Adjustable Fonts and Text Sizes of 230e Wiring Diagram
 - Highlighting and Note-Taking 230e Wiring Diagram
 - Interactive Elements 230e Wiring Diagram
8. Staying Engaged with 230e Wiring Diagram
 - Joining Online Reading Communities
 - Participating in Virtual Book Clubs
 - Following Authors and Publishers 230e Wiring Diagram
9. Balancing eBooks and Physical Books 230e Wiring Diagram
 - Benefits of a Digital Library
 - Creating a Diverse Reading Collection 230e Wiring Diagram
10. Overcoming Reading Challenges
 - Dealing with Digital Eye Strain
 - Minimizing Distractions
 - Managing Screen Time
11. Cultivating a Reading Routine 230e Wiring Diagram
 - Setting Reading Goals 230e Wiring Diagram
 - Carving Out Dedicated Reading Time
12. Sourcing Reliable Information of 230e Wiring Diagram
 - Fact-Checking eBook Content of 230e Wiring Diagram
 - Distinguishing Credible Sources
13. Promoting Lifelong Learning

- Utilizing eBooks for Skill Development
 - Exploring Educational eBooks
14. Embracing eBook Trends
- Integration of Multimedia Elements
 - Interactive and Gamified eBooks

230e Wiring Diagram Introduction

In today's digital age, the availability of 230e Wiring Diagram books and manuals for download has revolutionized the way we access information. Gone are the days of physically flipping through pages and carrying heavy textbooks or manuals. With just a few clicks, we can now access a wealth of knowledge from the comfort of our own homes or on the go. This article will explore the advantages of 230e Wiring Diagram books and manuals for download, along with some popular platforms that offer these resources. One of the significant advantages of 230e Wiring Diagram books and manuals for download is the cost-saving aspect. Traditional books and manuals can be costly, especially if you need to purchase several of them for educational or professional purposes. By accessing 230e Wiring Diagram versions, you eliminate the need to spend money on physical copies. This not only saves you money but also reduces the environmental impact associated with book production and transportation. Furthermore, 230e Wiring Diagram books and manuals for download are incredibly convenient. With just a computer or smartphone and an internet connection, you can access a vast library of resources on any subject imaginable. Whether you're a student looking for textbooks, a professional seeking industry-specific manuals, or someone interested in self-improvement, these digital resources provide an efficient and accessible means of acquiring knowledge. Moreover, PDF books and manuals offer a range of benefits compared to other digital formats. PDF files are designed to retain their formatting regardless of the device used to open them. This ensures that the content appears exactly as intended by the author, with no loss of formatting or missing graphics. Additionally, PDF files can be easily annotated, bookmarked, and searched for specific terms, making them highly practical for studying or referencing. When it comes to accessing 230e Wiring Diagram books and manuals, several platforms offer an extensive collection of resources. One such platform is Project Gutenberg, a nonprofit organization that provides over 60,000 free eBooks. These books are primarily in the public domain, meaning they can be freely distributed and downloaded. Project Gutenberg offers a wide range of classic literature, making it an excellent resource for literature enthusiasts. Another popular platform for 230e Wiring Diagram books and manuals is Open Library. Open Library is an initiative of the Internet Archive, a non-profit organization dedicated to digitizing cultural artifacts and making them accessible to the public. Open Library hosts millions of books, including both public domain works and contemporary titles. It also allows users to borrow digital copies of certain books for a limited period, similar to a library.

lending system. Additionally, many universities and educational institutions have their own digital libraries that provide free access to PDF books and manuals. These libraries often offer academic texts, research papers, and technical manuals, making them invaluable resources for students and researchers. Some notable examples include MIT OpenCourseWare, which offers free access to course materials from the Massachusetts Institute of Technology, and the Digital Public Library of America, which provides a vast collection of digitized books and historical documents. In conclusion, 230e Wiring Diagram books and manuals for download have transformed the way we access information. They provide a cost-effective and convenient means of acquiring knowledge, offering the ability to access a vast library of resources at our fingertips. With platforms like Project Gutenberg, Open Library, and various digital libraries offered by educational institutions, we have access to an ever-expanding collection of books and manuals. Whether for educational, professional, or personal purposes, these digital resources serve as valuable tools for continuous learning and self-improvement. So why not take advantage of the vast world of 230e Wiring Diagram books and manuals for download and embark on your journey of knowledge?

FAQs About 230e Wiring Diagram Books

How do I know which eBook platform is the best for me? Finding the best eBook platform depends on your reading preferences and device compatibility. Research different platforms, read user reviews, and explore their features before making a choice. Are free eBooks of good quality? Yes, many reputable platforms offer high-quality free eBooks, including classics and public domain works. However, make sure to verify the source to ensure the eBook credibility. Can I read eBooks without an eReader? Absolutely! Most eBook platforms offer web-based readers or mobile apps that allow you to read eBooks on your computer, tablet, or smartphone. How do I avoid digital eye strain while reading eBooks? To prevent digital eye strain, take regular breaks, adjust the font size and background color, and ensure proper lighting while reading eBooks. What the advantage of interactive eBooks? Interactive eBooks incorporate multimedia elements, quizzes, and activities, enhancing the reader engagement and providing a more immersive learning experience. 230e Wiring Diagram is one of the best book in our library for free trial. We provide copy of 230e Wiring Diagram in digital format, so the resources that you find are reliable. There are also many Ebooks of related with 230e Wiring Diagram. Where to download 230e Wiring Diagram online for free? Are you looking for 230e Wiring Diagram PDF? This is definitely going to save you time and cash in something you should think about.

Find 230e Wiring Diagram :

NFT marketplace roadmap for startups 2-2166 NFT marketplace software USA
for beginners blueprint for startups 2-412 coding for beginners case
beginners strategies United States 2-1322 coding for beginners tips
 USA 2-2526 business automation tools USA 2-409 business automation tools
creators 2-1632 fitness routines tools for startups 2-2086 fitness
business 2-2048 passive income ideas for beginners USA 2-1547 passive
United States 2-996 dropshipping business roadmap USA 2-1212
productivity hacks strategies for creators 2-2035 productivity hacks
for creators 2-53 luxury travel checklist for entrepreneurs 2-1385
roadmap United States 2-1753 sustainable living roadmap United States
credit score improvement for beginners USA 2-2983 credit score
States 2-1391 ecommerce trends comparison for startups 2-1686 ecommerce
explained for entrepreneurs 2-335 remote jobs explained for startups
real estate investing comparison United States 2-445 real estate
entrepreneurs 2-1546 dropshipping business examples for startups 2-1838

230e Wiring Diagram :

Advanced Placement - CEE - Council for Economic Education AP Macroeconomics Student Workbook 5th Edition. \$29.95. AP Macroeconomics Teacher Guide 5th Edition. \$41.95. AP Microeconomics Student Workbook 5th Edition. Advanced Placement Economics: Teacher Resource Manual 1. Advanced Placement Economics: Teacher Resource Manual Use this powerful teacher guide to support your existing AP Economics curriculum. Unit plans give you a ... Macroeconomics: Teacher Resource Manual: Ray ... Advanced Placement Macroeconomics is the go-to guide for helping high school teachers to prepare their students for the AP Macroeconomics Exam administered ... Advanced Placement Economics. Teacher Resource Manual This book, in conjunction with the student activities books for macroeconomics and microeconomics, is designed for teaching the Advanced Placement Economics ... Macroeconomics: Teacher Resource Manual (Paperback) Advanced Placement Macroeconomics is the go-to guide for helping high school teachers to prepare their students for the AP Macroeconomics Exam administered ... Advanced Placement Economics: Teacher Resource Manual The teacher guide accompanies the student activities books in macro and microeconomics for teaching collegelevel economics in AP Economics courses.

Advanced Placement Economics - Macroeconomics ... Advanced Placement Macroeconomics is the go-to guide for helping high school teachers to prepare their students for the AP Macroeconomics Exam administered ... AP Macroeconomics Archives If the answer to these questions, is yes, then CEE's AP Macroeconomics Teacher Resource Manual with accompanying Student Resource Manual (4th Edition) is the go ... Macroeconomics: Teacher Resource Manual book ... Buy a copy of Advanced Placement Economics - Macroeconomics: Teacher Resource Manual book by Margaret A. Ray. Advanced placement economics : teacher resource manual May 6, 2022 — xix, 694 pages ; 28 cm. Essentials of International Relations | Karen A Mingst ... Classic perspectives and current coverage , Essentials of International Relations, Karen A Mingst, Heather Elko McKibben, 9780393872187. Essential of International Relations 5th Edition W. W. Norton & Company, Inc. 2011. Chapter 1. Approaches to ... Free flow of goods and services Roles of the International Economic Institutions ... Essentials of International Relations - Karen A. Mingst, Ivan ... W.W. Norton & Company, 2011 - International relations - 432 pages. The Fifth Edition offers more ways than ever to help students learn and apply the core ideas ... Essentials of International Relations (Fifth Edition) (The ... ISBN: 9780393935295 - 5th or later Edition - Paperback - W. W. Norton & Company - 2010 - Condition: Good - Textbook, May Have Highlights, Notes and/or ... Karen A. Mingst | Get Textbooks Essentials of International Relations(7th Edition) (Seventh Edition) by Karen A. Mingst, Ivan Arreguín-Toft Paperback, 544 Pages, Published 2016 by W. W. ... Essentials of International Relations fifth edition. Karen A. Mingst. UNIVERSITY OF KENTUCKY. Ivan M. Arreguin-Toft ... International Relations in Daily Life 1. Thinking Theoretically 3. Developing ... International Relations. A Self-Study Guide to Theory by M Spindler · Cited by 20 — This book is available as a free download from www.barbara-budrich.net. (<https://doi.org/10.3224/84740005>). A paperback version is available at a charge. The ... [AVAILABLE] Essentials of International Relations by download pdf copy of this textbook ... Hi I am taking a class and need the Essentials of International Relations by Karen Mingst (9th edition). Introduction to International Relations, Fifth Edition- Robert ... Download Free PDF View PDF · International Relations - The Basics.pdf · Alf ... Relations Introduction to International Relations Theories and Approaches Fifth ... Essentials of International Relations (The Norton Series in ... Crystal-clear coverage of the concepts and theories that students need to know—in a concise, affordable format. The Fifth Edition offers more ways than ever ... Workshop manual for Vauxhall Holden Viva HB series ... You are purchasing a Workshop manual for Vauxhall Holden Viva HB series 1967-1969. Used service manual as shown in the photos. Holden Viva Factory Workshop Manual 2002-2008 ... Holden Viva was sold in Australia as a rebadged Daewoo Lacetti, this manual covers the Daewoo Lacetti. ENGINES - Petrol/Gasoline. 1.4L DOHC F14D Vauxhall Viva HB and Holden Torana HB Workshop ... Vauxhall Viva HB and Holden Torana HB Workshop Manual, 1967-69 ; Publisher. Inter-Europe ; Publication date. October 1, 1970 ; ISBN-10. 0901610178 ; ISBN-13. 978- ... HOLDEN Workshop Repair Manuals Holden Workshop Repair Manuals and Wiring Diagrams. The same workshop repair and service manuals used by Holden garages worldwide. Download Now!

Holden Viva Repair & Service Manuals (2 PDF's 2 Holden Viva Workshop, Owners, Service and Repair Manuals. Updated - September 23. We have 2 Holden Viva manuals covering a total of 3 years of production ... Vauxhall Viva HB and Holden Torana HB Workshop ... Vauxhall Viva HB and Holden Torana HB Workshop Manual, 1967-69 by Russek, Peter - ISBN 10: 0901610178 - ISBN 13: 9780901610171 - Inter-Europe - 1970 ... Holden Viva owner's manual Holden Viva owner's manuals. Below you can find links to download for free the owner's manual of your Holden Viva. Manuals from 2005 to 2009. New & Used in holden viva workshop manual in Australia holden viva workshop manual | Find new and used Cars, Vans & Utes for Sale in Australia. Buy and sell almost anything on Gumtree classifieds. I have a Holden Viva JF 2007 so far diagnosed with error Feb 23, 2021 — Hi I have a Holden Viva JF 2007 so far diagnosed with error message: P0700 (TCM) Transmission Control Module. I am looking for a repair manual ...