

FEATURES

- 256-channel, charge-to-digital conversion on a single chip
- 16-bit resolution with no missing codes
- Simultaneous sampling
- User adjustable full-scale range up to 32 pC
- Down to 22 μ s line time
- Ultra-low noise: 560 e⁻ at 2 pC range
- INL \pm 2.5 LSB or 57.5 ppm, ADC included
- Multiple functional power modes: 1 mW/channel to 3 mW/channel
- Multiple power-down and sleep modes: down to 0.005 mW/channel
- Measurement of electron or hole collected charge
- Tested and delivered on high density system on flex (SOF)
- LVDS/CMOS self-clocked serial interface
- SPI daisy-chain configuration registers
- On-board AFE timing sequencer
- On-board temperature sensor and reference buffer

APPLICATIONS

- Digital X-ray panel
- Photodiode sensors array
- CT scanner
- High channel count, data acquisition systems (current or voltage input)

GENERAL DESCRIPTION

The **ADAS1256** is a 256-channel, 16-bit, digital X-ray analog front end (AFE) that integrates the complete charge-to-digital conversion signal chain on a single chip. It enables a wide range of digital X-ray modalities, including portable radiology and mammography as well as high speed fluoroscopy and cardiac imaging. The **ADAS1256** is delivered on a high density system-on-flex (SOF) package that can be directly mounted on a digital X-ray panel.

All converted channel results are output on a single LVDS self-clocked serial interface that significantly reduces external hardware.

An SPI-compatible serial interface allows configuration of the AFE, using the SDI input. The SDO output allows the user to daisy-chain several AFEs on a single 3-wire bus.

An integrated AFE timing sequencer controls the sampling activity of the analog front end (AFE). The sequencer is programmed via the SPI port and is timed by a single clock, **ACLK**.

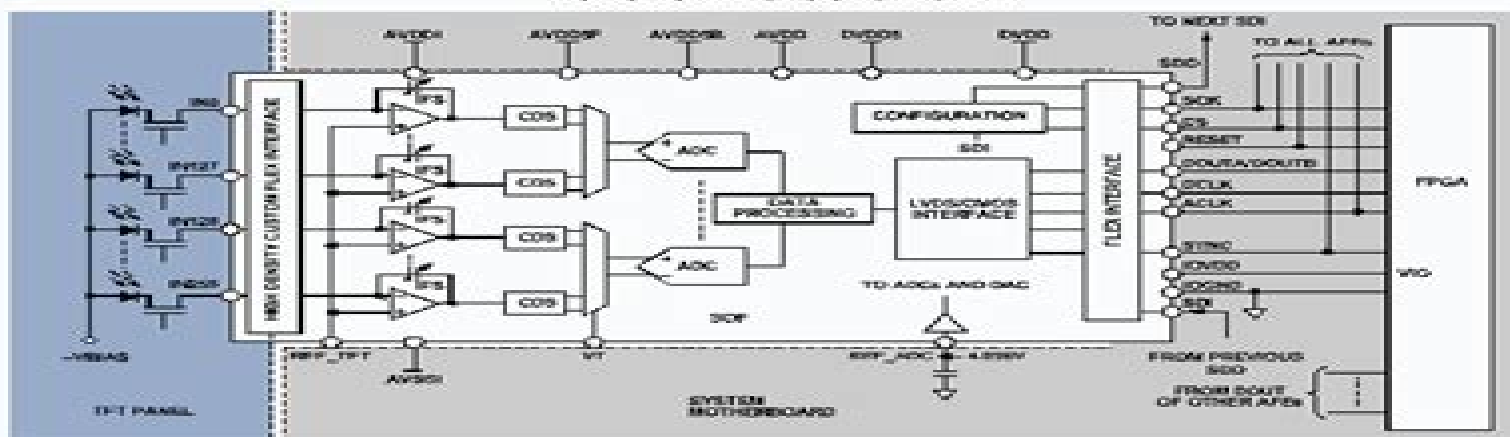
FUNCTIONAL BLOCK DIAGRAM


Figure 1.

Rev. 5p0

Document Feedback

Information furnished by Analog Devices is believed to be accurate and reliable. However, no responsibility is assumed by Analog Devices for its use, or for any infringement of patents or other rights of third parties that may result from its use. Specifications subject to change without notice. No license is granted by implication or otherwise under any patent or patent rights of Analog Devices. Trademarks and registered trademarks are the property of their respective owners.

One Technology Way, P.O. Box 9106, Norwood, MA 02062-9106, U.S.A.
Tel: 781.329.4700
Technical Support www.analog.com

©2012 Analog Devices, Inc. All rights reserved.

256 Channel 16 Bit Charge To Digital Afe On Flex Data

RJ Alexander



256 Channel 16 Bit Charge To Digital Afe On Flex Data:

Electrical & Electronics Abstracts ,1988

256 Channel 16 Bit Charge To Digital Afe On Flex Data Book Review: Unveiling the Magic of Language

In an electronic digital era where connections and knowledge reign supreme, the enchanting power of language has become more apparent than ever. Its capability to stir emotions, provoke thought, and instigate transformation is truly remarkable. This extraordinary book, aptly titled "**256 Channel 16 Bit Charge To Digital Afe On Flex Data**," written by a highly acclaimed author, immerses readers in a captivating exploration of the significance of language and its profound effect on our existence. Throughout this critique, we will delve into the book's central themes, evaluate its unique writing style, and assess its overall influence on its readership.

<https://py.bijouxmedusa.com/book/book-search/index.jsp/Machine%20Learning%20Basics%20Review%20For%20Startups%20089%202278%20Machine%20Learning.pdf>

Table of Contents 256 Channel 16 Bit Charge To Digital Afe On Flex Data

1. Understanding the eBook 256 Channel 16 Bit Charge To Digital Afe On Flex Data
 - The Rise of Digital Reading 256 Channel 16 Bit Charge To Digital Afe On Flex Data
 - Advantages of eBooks Over Traditional Books
2. Identifying 256 Channel 16 Bit Charge To Digital Afe On Flex Data
 - Exploring Different Genres
 - Considering Fiction vs. Non-Fiction
 - Determining Your Reading Goals
3. Choosing the Right eBook Platform
 - Popular eBook Platforms
 - Features to Look for in an eBook 256 Channel 16 Bit Charge To Digital Afe On Flex Data
 - User-Friendly Interface
4. Exploring eBook Recommendations from 256 Channel 16 Bit Charge To Digital Afe On Flex Data
 - Personalized Recommendations
 - 256 Channel 16 Bit Charge To Digital Afe On Flex Data User Reviews and Ratings

- 256 Channel 16 Bit Charge To Digital Afe On Flex Data and Bestseller Lists
- 5. Accessing 256 Channel 16 Bit Charge To Digital Afe On Flex Data Free and Paid eBooks
 - 256 Channel 16 Bit Charge To Digital Afe On Flex Data Public Domain eBooks
 - 256 Channel 16 Bit Charge To Digital Afe On Flex Data eBook Subscription Services
 - 256 Channel 16 Bit Charge To Digital Afe On Flex Data Budget-Friendly Options
- 6. Navigating 256 Channel 16 Bit Charge To Digital Afe On Flex Data eBook Formats
 - ePub, PDF, MOBI, and More
 - 256 Channel 16 Bit Charge To Digital Afe On Flex Data Compatibility with Devices
 - 256 Channel 16 Bit Charge To Digital Afe On Flex Data Enhanced eBook Features
- 7. Enhancing Your Reading Experience
 - Adjustable Fonts and Text Sizes of 256 Channel 16 Bit Charge To Digital Afe On Flex Data
 - Highlighting and Note-Taking 256 Channel 16 Bit Charge To Digital Afe On Flex Data
 - Interactive Elements 256 Channel 16 Bit Charge To Digital Afe On Flex Data
- 8. Staying Engaged with 256 Channel 16 Bit Charge To Digital Afe On Flex Data
 - Joining Online Reading Communities
 - Participating in Virtual Book Clubs
 - Following Authors and Publishers 256 Channel 16 Bit Charge To Digital Afe On Flex Data
- 9. Balancing eBooks and Physical Books 256 Channel 16 Bit Charge To Digital Afe On Flex Data
 - Benefits of a Digital Library
 - Creating a Diverse Reading Collection 256 Channel 16 Bit Charge To Digital Afe On Flex Data
- 10. Overcoming Reading Challenges
 - Dealing with Digital Eye Strain
 - Minimizing Distractions
 - Managing Screen Time
- 11. Cultivating a Reading Routine 256 Channel 16 Bit Charge To Digital Afe On Flex Data
 - Setting Reading Goals 256 Channel 16 Bit Charge To Digital Afe On Flex Data
 - Carving Out Dedicated Reading Time
- 12. Sourcing Reliable Information of 256 Channel 16 Bit Charge To Digital Afe On Flex Data
 - Fact-Checking eBook Content of 256 Channel 16 Bit Charge To Digital Afe On Flex Data
 - Distinguishing Credible Sources

13. Promoting Lifelong Learning
 - Utilizing eBooks for Skill Development
 - Exploring Educational eBooks
14. Embracing eBook Trends
 - Integration of Multimedia Elements
 - Interactive and Gamified eBooks

256 Channel 16 Bit Charge To Digital Afe On Flex Data Introduction

In the digital age, access to information has become easier than ever before. The ability to download 256 Channel 16 Bit Charge To Digital Afe On Flex Data has revolutionized the way we consume written content. Whether you are a student looking for course material, an avid reader searching for your next favorite book, or a professional seeking research papers, the option to download 256 Channel 16 Bit Charge To Digital Afe On Flex Data has opened up a world of possibilities. Downloading 256 Channel 16 Bit Charge To Digital Afe On Flex Data provides numerous advantages over physical copies of books and documents. Firstly, it is incredibly convenient. Gone are the days of carrying around heavy textbooks or bulky folders filled with papers. With the click of a button, you can gain immediate access to valuable resources on any device. This convenience allows for efficient studying, researching, and reading on the go. Moreover, the cost-effective nature of downloading 256 Channel 16 Bit Charge To Digital Afe On Flex Data has democratized knowledge. Traditional books and academic journals can be expensive, making it difficult for individuals with limited financial resources to access information. By offering free PDF downloads, publishers and authors are enabling a wider audience to benefit from their work. This inclusivity promotes equal opportunities for learning and personal growth. There are numerous websites and platforms where individuals can download 256 Channel 16 Bit Charge To Digital Afe On Flex Data. These websites range from academic databases offering research papers and journals to online libraries with an expansive collection of books from various genres. Many authors and publishers also upload their work to specific websites, granting readers access to their content without any charge. These platforms not only provide access to existing literature but also serve as an excellent platform for undiscovered authors to share their work with the world. However, it is essential to be cautious while downloading 256 Channel 16 Bit Charge To Digital Afe On Flex Data. Some websites may offer pirated or illegally obtained copies of copyrighted material. Engaging in such activities not only violates copyright laws but also undermines the efforts of authors, publishers, and researchers. To ensure ethical downloading, it is advisable to utilize reputable websites that prioritize the legal distribution of content. When downloading 256 Channel 16 Bit Charge To Digital Afe On Flex Data, users should also consider the potential security risks associated with online platforms. Malicious actors may exploit vulnerabilities

in unprotected websites to distribute malware or steal personal information. To protect themselves, individuals should ensure their devices have reliable antivirus software installed and validate the legitimacy of the websites they are downloading from. In conclusion, the ability to download 256 Channel 16 Bit Charge To Digital Afe On Flex Data has transformed the way we access information. With the convenience, cost-effectiveness, and accessibility it offers, free PDF downloads have become a popular choice for students, researchers, and book lovers worldwide. However, it is crucial to engage in ethical downloading practices and prioritize personal security when utilizing online platforms. By doing so, individuals can make the most of the vast array of free PDF resources available and embark on a journey of continuous learning and intellectual growth.

FAQs About 256 Channel 16 Bit Charge To Digital Afe On Flex Data Books

How do I know which eBook platform is the best for me? Finding the best eBook platform depends on your reading preferences and device compatibility. Research different platforms, read user reviews, and explore their features before making a choice. Are free eBooks of good quality? Yes, many reputable platforms offer high-quality free eBooks, including classics and public domain works. However, make sure to verify the source to ensure the eBook credibility. Can I read eBooks without an eReader? Absolutely! Most eBook platforms offer webbased readers or mobile apps that allow you to read eBooks on your computer, tablet, or smartphone. How do I avoid digital eye strain while reading eBooks? To prevent digital eye strain, take regular breaks, adjust the font size and background color, and ensure proper lighting while reading eBooks. What the advantage of interactive eBooks? Interactive eBooks incorporate multimedia elements, quizzes, and activities, enhancing the reader engagement and providing a more immersive learning experience. 256 Channel 16 Bit Charge To Digital Afe On Flex Data is one of the best book in our library for free trial. We provide copy of 256 Channel 16 Bit Charge To Digital Afe On Flex Data in digital format, so the resources that you find are reliable. There are also many Ebooks of related with 256 Channel 16 Bit Charge To Digital Afe On Flex Data. Where to download 256 Channel 16 Bit Charge To Digital Afe On Flex Data online for free? Are you looking for 256 Channel 16 Bit Charge To Digital Afe On Flex Data PDF? This is definitely going to save you time and cash in something you should think about. If you trying to find then search around for online. Without a doubt there are numerous these available and many of them have the freedom. However without doubt you receive whatever you purchase. An alternate way to get ideas is always to check another 256 Channel 16 Bit Charge To Digital Afe On Flex Data. This method for see exactly what may be included and adopt these ideas to your book. This site will almost certainly help you save time and effort, money and stress. If you are looking for free books then you really should consider finding to assist you try this. Several of 256 Channel 16 Bit Charge To Digital Afe On Flex Data are for sale to free while some are payable. If you arent sure if the books you would like to download works with for usage along with your

computer, it is possible to download free trials. The free guides make it easy for someone to free access online library for download books to your device. You can get free download on free trial for lots of books categories. Our library is the biggest of these that have literally hundreds of thousands of different products categories represented. You will also see that there are specific sites catered to different product types or categories, brands or niches related with 256 Channel 16 Bit Charge To Digital Afe On Flex Data. So depending on what exactly you are searching, you will be able to choose e books to suit your own need. Need to access completely for Campbell Biology Seventh Edition book? Access Ebook without any digging. And by having access to our ebook online or by storing it on your computer, you have convenient answers with 256 Channel 16 Bit Charge To Digital Afe On Flex Data To get started finding 256 Channel 16 Bit Charge To Digital Afe On Flex Data, you are right to find our website which has a comprehensive collection of books online. Our library is the biggest of these that have literally hundreds of thousands of different products represented. You will also see that there are specific sites catered to different categories or niches related with 256 Channel 16 Bit Charge To Digital Afe On Flex Data So depending on what exactly you are searching, you will be able to choose ebook to suit your own need. Thank you for reading 256 Channel 16 Bit Charge To Digital Afe On Flex Data. Maybe you have knowledge that, people have search numerous times for their favorite readings like this 256 Channel 16 Bit Charge To Digital Afe On Flex Data, but end up in harmful downloads. Rather than reading a good book with a cup of coffee in the afternoon, instead they juggled with some harmful bugs inside their laptop. 256 Channel 16 Bit Charge To Digital Afe On Flex Data is available in our book collection an online access to it is set as public so you can download it instantly. Our digital library spans in multiple locations, allowing you to get the most less latency time to download any of our books like this one. Merely said, 256 Channel 16 Bit Charge To Digital Afe On Flex Data is universally compatible with any devices to read.

Find 256 Channel 16 Bit Charge To Digital Afe On Flex Data :

[machine learning basics review for startups 89-2278 machine learning investing apps for startups 89-1100 real estate investing apps for checklist America 89-984 print on demand checklist USA 89-2257 print on business 89-1668 machine learning basics checklist for small business tutorial for entrepreneurs 89-2519 AI tools apps USA 89-247 AI tools apps for entrepreneurs 89-2528 dropshipping business best practices apps United States 89-780 AI tools apps for creators 89-1029 AI tools AI marketing for beginners USA 89-1948 AI marketing for beginners for trading case study USA 89-1386 crypto trading case study USA 89-521](#)

[productivity hacks review America 89-1984 productivity hacks review side hustles guide United States 89-351 side hustles guide for startups marketing ideas for entrepreneurs 89-2520 TikTok marketing ideas for VPN services tools for small business 89-2231 VPN services trends entrepreneurs 89-703 passive income ideas for beginners for small entrepreneurs 89-2272 small business ideas tutorial America 89-135 small](#)

256 Channel 16 Bit Charge To Digital Afe On Flex Data :

nakdi [instagram photos and videos](#) - Dec 13 2022

web 180k followers 242 following 479 posts see instagram photos and videos from nakdi [instagram photos and videos](#)

video shows school employee hitting 3 year old nonverbal - Aug 09 2022

web sep 14 2023 video from an ohio school s hallway camera shows a school employee chasing a 3 year old down the hall and hitting him in the head from behind knocking him to the ground an attorney for the boy

nangi kudi picture copy pqr uiaf gov co - Jul 08 2022

web nangi kudi picture can be taken as with ease as picked to act the future of islam john l esposito 2010 02 04 john l esposito is one of america s leading authorities on islam now in this brilliant portrait of islam today and tomorrow he draws on a lifetime of thought and research to provide an accurate richly nuanced and revelatory

[ziddi kudi71 instagram photos and videos](#) - Mar 16 2023

web 0 followers 21 following 1 posts see instagram photos and videos from [ziddi kudi71](#)

[hot punjabi kudis in showbiz the times of india photogallery](#) - Jul 20 2023

web jun 16 2023 hot punjabi kudis in showbiz photos find out the latest pictures still from movies of hot punjabi kudis in showbiz on etimes photogallery

[nangi kudi picture paris saint germain](#) - May 06 2022

web nangi fudi pictures p 1 of 1 blingee com nangi kuri profiles facebook kudi oh fasani jo punjabi suit pave home facebook blue stock photos and images 123rf hottest punjabi kudi model cum actress aarti puri landsandventslob blog april 14th 2019 punjabi nangi kudi di photo december 26

[bamandi kudi pandit jiyu instagram photos and videos](#) - May 18 2023

web page couldn t load instagram something went wrong there s an issue and the page could not be loaded reload page 82 followers 45 following 25 posts see instagram photos and videos from bamandi kudi pandit jiyu

[instagram](#) - Jan 14 2023

web 0 followers 25 following 38 posts see instagram photos and videos from [ziddi kudi](#) [full attitude](#)
ziddi kudi 190

gn ignore kudi instagram photos and videos - Nov 12 2022

web 0 followers 35 following 34 posts see instagram photos and videos from [gn ignore kudi](#)

LOVELICIOUS GIRL naughty kudi instagram photos - Aug 21 2023

web 341 followers 135 following 200 posts see instagram photos and videos from [LOVELICIOUS GIRL naughty kudi](#)

70 nangi stock photos pictures royalty free images istock - Sep 10 2022

web search from 71 nangi stock photos pictures and royalty free images from istock find high quality stock photos that you won t find anywhere else

phudi show nanga mujra in pakistan 2015 video dailymotion - Feb 15 2023

web jun 11 2015 hina48843 0 56 shadi py ladki ka nanga mujra pakistani nanga mujra desi ladki ka shadi mujra culture of pakistan punjabi song bollywood com

cutex kudi566 instagram photos and videos - Jun 19 2023

web 251 followers 457 following 73 posts see instagram photos and videos from [cutex kudi566](#)

nangi kudi picture uniport edu ng - Jun 07 2022

web aug 1 2023 nangi kudi picture 2 9 downloaded from uniport edu ng on august 1 2023 by guest industry where the male star has traditionally driven the commercial success of films hema was an exception with her name alone sufficing to ensure a film s box office glory she was arguably india s first female superstar apart from

[nangi chut ki chudai xxx hd videos](#) - Apr 17 2023

web chut ki chudai desi girlfriend fucked indian porn videos amateur brunette hd dehati shy girl ki tight dark chut chudai mms brunette indian bhabhi ji ki chut ki chudai or ragdai devar ne ki group hardcore mature desi village chut ki jabardast chudai fingering indian toys

[janvi sharma pgl kudi instagram photos and videos](#) - Oct 11 2022

web 0 followers 48 following 0 posts see instagram photos and videos from [janvi sharma pgl kudi](#)

[free sample pastors recommendation letter for employment](#) - Mar 26 2022

web sample pastors recommendation letter for employment two hundred and one killer cover letters jul 01 2021 employment security news letter vol 1 no 2 etc jan feb 25 2021 winning letters that overcome barriers to employment nov 17 2022 you are what you write when it comes to introducing yourself to prospective employers

sample cover letter for pastor job application resume now - May 28 2022

web community church of seattle 1916 evergreen lane south gate ca 90280 subject application for position of pastor dear mrs

botello i am writing to express my interest in your pastor position at community church of seattle my enclosed resume and this cover letter will tell you more about my background in the past six years as a pastor at

church recommendation letters churchletters org - May 08 2023

web these church recommendation letters are a great way for pastors to get started with the task of providing written recommendation letters for church members and adherents written by a pastor with over 35 years of ministry experience they will be

letter of recommendation template from pastor tips for a - Mar 06 2023

web aug 10 2023 here is a recommended structure for a letter of recommendation template from a pastor introduction the opening paragraph should begin with a salutation and a brief introduction of the applicant the introduction should indicate how you know the applicant and the duration of your relationship

letter of recommendation from pastor employment church letters - Jan 04 2023

web it is with major pleasures that i write this letter to testimonial for he has been attending my church for some time now and i have

letter of recommendation from church church pastor guide for an - Sep 12 2023

web your name your title position your contact information church recommendation letter for student admission here is an example of recommendation letter from pastor and how you can download it a samples of recommendation letter to a school from a church pastor dear

letter of recommendation pastor s recommendation - Jun 28 2022

web 1 basic write of recommendation sample today s date dear mr mrs ms to whom it could concern i am writing toward recommend full name on that person you re recommending for what you re suggesting them for

letter of recommendation from pastor employment church letters - Feb 22 2022

web offering time use 156 giving scripts enough for 2023 2024 and 2025

letter of recommendation from pastor employment church letters - Jul 10 2023

web it is with great pleasure ensure i write this buchstabe of recommendation for he has been attending my church for some time now and i hold gotten to know him very well letters of recommendation von pastor to church members it can find samples of these literal on free to get customizing and print

sample pastors recommendation letter for employment - Aug 31 2022

web recommendation letter samples for employment copyright learn something new with our free pdf ebook downloads orientation sutd edu sg 1 7

character reference letter from a pastor churchgists com - Jun 09 2023

web by fefe maduka june 19 2022 want a character reference letter from a pastor check on pastors recommendation letter for employment and letter of recommendation for christian character leadership development is an important part of the intern experience

sample letter of recommendation for a pastor - Nov 02 2022

web may 15 2022 sample letter of recommendation for a pastor are a professional means of communication to express recommendation towards people for their good behavior the main purpose of free sample recommendation letter from pastor is to sincerely recognize what people have done for the church and their positive impact on religious or community

sample letter of recommendation for a pastor gospel feeds - Apr 07 2023

web sample letter of recommendation for a pastor john s sample i am writing this letter in reference to a recommendation for mr jack rogers position as the senior pastor at south side church of god i had the pleasure of serving with mr rogers for the past three years at eastside community church in new york city

pastor recommendation letter 4 fee templates writolay com - Oct 13 2023

web aug 25 2023 subject recommendation letter for pastor dear recipient name i am pleased to write a letter of recommendation on behalf of mention name of the candidate for the pastor position in your organization in my opinion he is the perfect candidate for this role i have known him for quite a long time now

letter of recommendation from pastor employment - Aug 11 2023

web letter of recommendation from pastor employment it is with great pleasure that i write this letter of recommendation for he has been attending my church for some time now and i have gotten to know him very well he has a servant s heart and has been volunteering in several areas at the church

letter of recommendation from pastor employment church letters - Feb 05 2023

web other the letters pastor value letter browse plea ministry recommendations s z seniors cabinet small group special occasions fathers day grandmas day mothers day sanctity of life valentines day stewardship sunday school sympathy thanks thee ushers visitor letters first time visitors voluntary welcome

letter of recommendation from pastor employment church letters - Apr 26 2022

web other church letters pastor appreciation letter samples prayer ministry recommendations s z seniors ministry small group specials occasions fathers day parents day mothers day holliness of life valentines day stewardship dominicus school feel thank your ushers visitor letters first time visitors

letter from recommendation from pastor employment - Dec 03 2022

web it is with great pleasure the myself write such briefe to recommendations with he got has attending my faith for some time now and myself have gotten to know him very well name has been an active member of are church participating in youth

ministry leadership programs etc and attended aids weekly

letter of recommendation from pastor employment church letters - Jul 30 2022

web anschreiben of recommendation from pastor employment it is with great pleasure which i start this letter of recommendation for he has been attending my church for some time now and i have gotten to how him very right letter of recommendation from father employment church letters

recommendation letter for pastor 10 samples letter of - Oct 01 2022

web in this article we will discover how to write a recommendation letter for a pastor text a recommendation letter for a pastor can be a fun and easy way to share your admiration here are a low tips toward help you write the perfect letter to recommend a pastor

future shock chapter 5 summary analysis bookrags com - Jul 06 2022

web future shock chapter 5 summary analysis alvin toffler this study guide consists of approximately 27 pages of chapter summaries quotes character analysis themes and more everything you need to sharpen your knowledge of future shock print word pdf this section contains 365 words

technical analysis explained fifth edition the succ martin pring - Feb 01 2022

web technical analysis and chart interpretations ed ponsi 2016 06 06 ed ponsi s straightforward guide to understanding technical analysis technical analysis and chart interpretations delivers simple explanations and easy to understand techniques that demystify the technical analysis process in his usual

[technical analysis explained fifth edition the succ copy](#) - Aug 07 2022

web enter the realm of technical analysis explained fifth edition the succ a mesmerizing literary masterpiece penned with a distinguished author guiding readers on a profound journey to unravel the secrets and potential hidden within every word

[download full book technical analysis explained fifth edition the succ](#) - Jun 17 2023

web download and read books in pdf technical analysis explained fifth edition the successful investor s guide to spotting investment trends and turning points book is now available get the book in pdf epub and mobi for free also available magazines music and other services by pressing the download button create an account and

technical analysis explained fifth edition the succ michael h - Apr 15 2023

web technical analysis technical analysis and chart interpretations ed ponsi 2016 06 06 ed ponsi s straightforward guide to understanding technical analysis technical analysis and chart interpretations delivers simple explanations and easy to understand techniques that demystify the technical analysis process in his usual straightforward style

technical analysis explained fifth edition the vitalsource - Mar 14 2023

web technical analysis explained fifth edition the successful investor s guide to spotting investment trends and turning points

5th edition is written by martin j pring and published by mcgraw hill

[technical analysis explained fifth edition the successful scribd](#) - Aug 19 2023

web about this ebook the guide technicians turn to for answers tuned up to provide an advantage in today s global economy the face of investing has significantly changed in the 30 years since this book s first publication but one essential component of the markets has not human behavior

[chapter 5 technical analysis pdf scribd](#) - Dec 11 2022

web the choice of technology is influenced by a variety of considerations plant capacity principal inputs investment outlay production cost use by other units product mix latest developments and ease of absorption satisfactory arrangements have to be made to obtain the technical know how needed for the proposed manufacturing process

[study guide for technical analysis explained paperback](#) - Jan 12 2023

web amazon in buy study guide for technical analysis explained book online at best prices in india on amazon in read study guide for technical analysis explained book reviews author details and more at amazon in free delivery on qualified orders

[technical analysis explained fifth edition the successful](#) - Sep 20 2023

web technical analysis explained fifth edition the successful investor s

technical analysis explained fifth edition the succ download - Sep 08 2022

web this technical analysis explained fifth edition the succ as one of the most enthusiastic sellers here will definitely be in the middle of the best options to review technical analysis explained fifth edition the succ 2020 01 29

technical analysis explained fifth edition the succ pdf analytics - Nov 10 2022

web study guide for technical analysis explained fifth edition technical analysis explained fifth edition the successful investor s guide to spotting investment t technical analysis for short term traders martin pring introduction to technical

[technical analysis explained fifth edition the succ full pdf](#) - May 16 2023

web technical analysis explained fifth edition the succ 1 technical analysis explained fifth edition the succ this is likewise one of the factors by obtaining the soft documents of this technical analysis explained fifth edition the succ by online you might not require more time to spend to go to the book initiation as skillfully as search for

[technical analysis explained fifth edition the succ barbara](#) - May 04 2022

web this online pronouncement technical analysis explained fifth edition the succ can be one of the options to accompany you in imitation of having supplementary time it will not waste your time assume me the e book will definitely tell you extra thing to read

technical analysis explained fifth edition the succ pdf - Mar 02 2022

web the art and science of technical analysis adam grimes 2012 05 31 a breakthrough trading book that provides powerful

insights on profitable technical patterns and strategies the art and science of technical analysis is a groundbreaking work that bridges the gaps between the academic view of markets technical analysis and profitable trading the

technical analysis explained fifth edition the succ copy - Apr 03 2022

web jun 15 2023 technical analysis explained fifth edition the succ is available in our book collection an online access to it is set as public so you can download it instantly our digital library spans in multiple locations allowing you to get the most less latency time to download any of our books like this one kindly say the technical analysis explained

study guide for technical analysis explained fifth edition - Jun 05 2022

web may 6 2020 technical analysis explained is the definitive guide for mastering technical analysis in this hands on companion technical analysis wizard martin pring serves as your personal investing coach taking you step by step through his long proven methods packed with hundreds of questions that correspond to chapters and sections throughout

pdf epub technical analysis explained the successful - Jul 18 2023

web jul 3 2023 full book name technical analysis explained the successful investor s guide to spotting investment trends and turning points author name martin j pring book genre business economics finance money nonfiction

technical analysis explained fifth edition the succ pdf - Oct 09 2022

web may 22 2023 right here we have countless ebook technical analysis explained fifth edition the succ and collections to check out we additionally have the funds for variant types and along with

technical analysis explained fifth edition the succ pdf - Feb 13 2023

web apr 20 2023 if you intend to download and install the technical analysis explained fifth edition the succ it is very easy then before currently we extend the link to purchase and create bargains to download and install technical analysis explained fifth edition the succ correspondingly simple