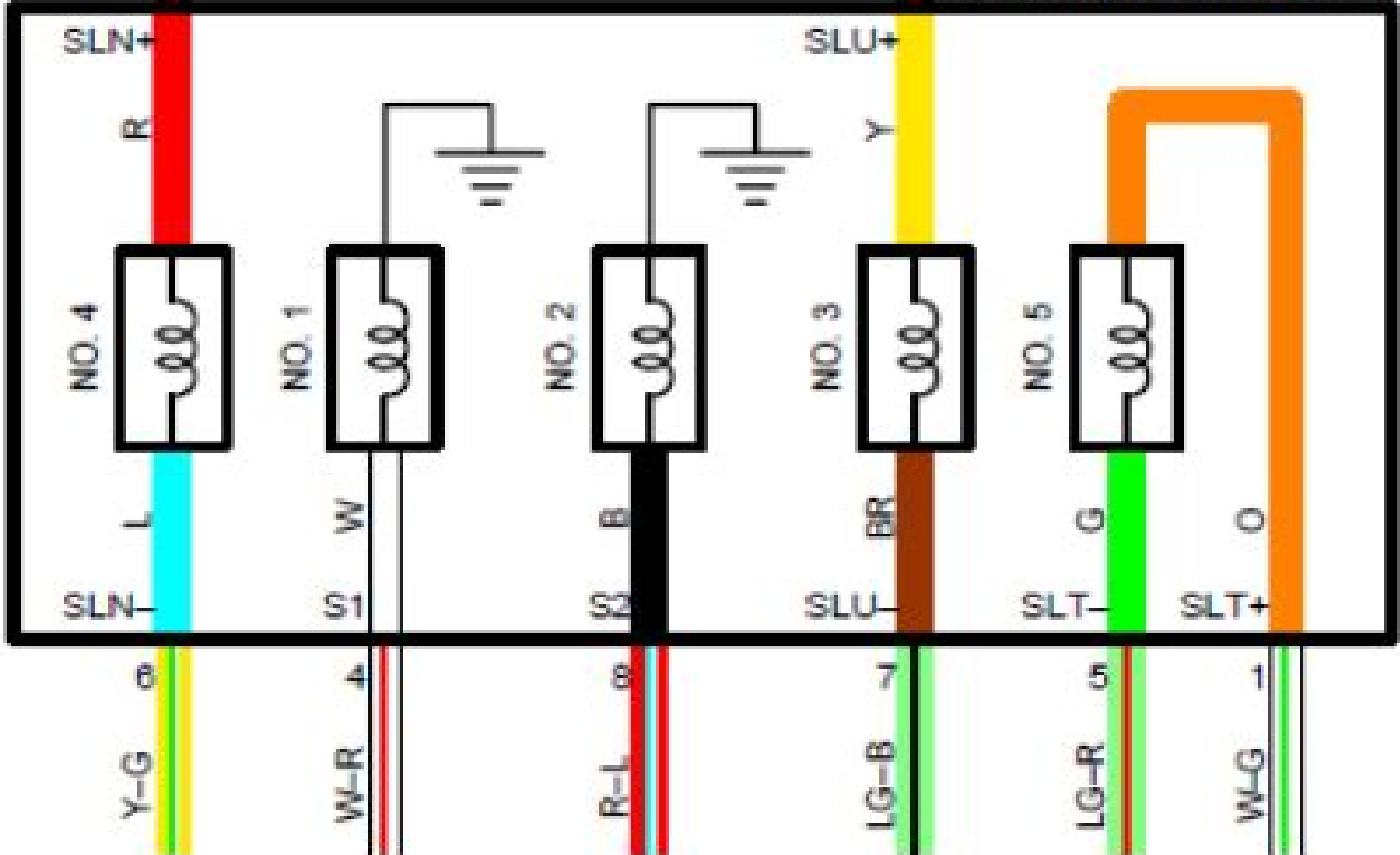




B-R

E 2  
ELECTRONICALLY CONTROLLED  
TRANSMISSION SOLENOID



SLN+

SLU+

R

Y

NO. 4

NO. 1

NO. 2

NO. 3

NO. 5

L

W

B

BR

G

O

SLN-

SL

SL

SLU-

SLT-

SLT+

Y-G

W-R

R-L

LG-B

LG-R

W-G

# 30 40le Control Diagram

**Lauren Gardner**



**30 40le Control Diagram:**

## Embracing the Song of Expression: An Mental Symphony within **30 40le Control Diagram**

In some sort of consumed by monitors and the ceaseless chatter of quick interaction, the melodic elegance and mental symphony created by the written word usually disappear into the backdrop, eclipsed by the persistent sound and disruptions that permeate our lives. However, situated within the pages of **30 40le Control Diagram** a stunning fictional prize brimming with natural emotions, lies an immersive symphony waiting to be embraced. Constructed by an outstanding musician of language, this interesting masterpiece conducts viewers on a psychological trip, well unraveling the concealed melodies and profound influence resonating within each cautiously constructed phrase. Within the depths with this poignant assessment, we shall discover the book is key harmonies, analyze its enthralling publishing design, and surrender ourselves to the profound resonance that echoes in the depths of readers souls.

[https://py.bijouxmedusa.com/files/virtual-library/index.jsp/blueprint\\_for\\_small\\_business\\_17\\_169\\_stock\\_market\\_case\\_study\\_usa\\_17\\_2053.pdf](https://py.bijouxmedusa.com/files/virtual-library/index.jsp/blueprint_for_small_business_17_169_stock_market_case_study_usa_17_2053.pdf)

### **Table of Contents 30 40le Control Diagram**

1. Understanding the eBook 30 40le Control Diagram
  - The Rise of Digital Reading 30 40le Control Diagram
  - Advantages of eBooks Over Traditional Books
2. Identifying 30 40le Control Diagram
  - Exploring Different Genres
  - Considering Fiction vs. Non-Fiction
  - Determining Your Reading Goals
3. Choosing the Right eBook Platform
  - Popular eBook Platforms
  - Features to Look for in an 30 40le Control Diagram
  - User-Friendly Interface
4. Exploring eBook Recommendations from 30 40le Control Diagram

- Personalized Recommendations
  - 30 40le Control Diagram User Reviews and Ratings
  - 30 40le Control Diagram and Bestseller Lists
5. Accessing 30 40le Control Diagram Free and Paid eBooks
    - 30 40le Control Diagram Public Domain eBooks
    - 30 40le Control Diagram eBook Subscription Services
    - 30 40le Control Diagram Budget-Friendly Options
  6. Navigating 30 40le Control Diagram eBook Formats
    - ePub, PDF, MOBI, and More
    - 30 40le Control Diagram Compatibility with Devices
    - 30 40le Control Diagram Enhanced eBook Features
  7. Enhancing Your Reading Experience
    - Adjustable Fonts and Text Sizes of 30 40le Control Diagram
    - Highlighting and Note-Taking 30 40le Control Diagram
    - Interactive Elements 30 40le Control Diagram
  8. Staying Engaged with 30 40le Control Diagram
    - Joining Online Reading Communities
    - Participating in Virtual Book Clubs
    - Following Authors and Publishers 30 40le Control Diagram
  9. Balancing eBooks and Physical Books 30 40le Control Diagram
    - Benefits of a Digital Library
    - Creating a Diverse Reading Collection 30 40le Control Diagram
  10. Overcoming Reading Challenges
    - Dealing with Digital Eye Strain
    - Minimizing Distractions
    - Managing Screen Time
  11. Cultivating a Reading Routine 30 40le Control Diagram
    - Setting Reading Goals 30 40le Control Diagram
    - Carving Out Dedicated Reading Time
  12. Sourcing Reliable Information of 30 40le Control Diagram

- Fact-Checking eBook Content of 30 40le Control Diagram
  - Distinguishing Credible Sources
13. Promoting Lifelong Learning
- Utilizing eBooks for Skill Development
  - Exploring Educational eBooks
14. Embracing eBook Trends
- Integration of Multimedia Elements
  - Interactive and Gamified eBooks

### 30 40le Control Diagram Introduction

30 40le Control Diagram Offers over 60,000 free eBooks, including many classics that are in the public domain. Open Library: Provides access to over 1 million free eBooks, including classic literature and contemporary works. 30 40le Control Diagram Offers a vast collection of books, some of which are available for free as PDF downloads, particularly older books in the public domain. 30 40le Control Diagram : This website hosts a vast collection of scientific articles, books, and textbooks. While it operates in a legal gray area due to copyright issues, its a popular resource for finding various publications. Internet Archive for 30 40le Control Diagram : Has an extensive collection of digital content, including books, articles, videos, and more. It has a massive library of free downloadable books. Free-eBooks 30 40le Control Diagram Offers a diverse range of free eBooks across various genres. 30 40le Control Diagram Focuses mainly on educational books, textbooks, and business books. It offers free PDF downloads for educational purposes. 30 40le Control Diagram Provides a large selection of free eBooks in different genres, which are available for download in various formats, including PDF. Finding specific 30 40le Control Diagram, especially related to 30 40le Control Diagram, might be challenging as theyre often artistic creations rather than practical blueprints. However, you can explore the following steps to search for or create your own Online Searches: Look for websites, forums, or blogs dedicated to 30 40le Control Diagram, Sometimes enthusiasts share their designs or concepts in PDF format. Books and Magazines Some 30 40le Control Diagram books or magazines might include. Look for these in online stores or libraries. Remember that while 30 40le Control Diagram, sharing copyrighted material without permission is not legal. Always ensure youre either creating your own or obtaining them from legitimate sources that allow sharing and downloading. Library Check if your local library offers eBook lending services. Many libraries have digital catalogs where you can borrow 30 40le Control Diagram eBooks for free, including popular titles. Online Retailers: Websites like Amazon, Google Books, or Apple Books often sell eBooks. Sometimes, authors or publishers offer promotions or free periods for certain books. Authors Website Occasionally, authors provide excerpts or short stories for free on their websites.

While this might not be the 30 40le Control Diagram full book , it can give you a taste of the authors writing style. Subscription Services Platforms like Kindle Unlimited or Scribd offer subscription-based access to a wide range of 30 40le Control Diagram eBooks, including some popular titles.

### FAQs About 30 40le Control Diagram Books

**What is a 30 40le Control Diagram PDF?** A PDF (Portable Document Format) is a file format developed by Adobe that preserves the layout and formatting of a document, regardless of the software, hardware, or operating system used to view or print it. **How do I create a 30 40le Control Diagram PDF?** There are several ways to create a PDF: Use software like Adobe Acrobat, Microsoft Word, or Google Docs, which often have built-in PDF creation tools. Print to PDF: Many applications and operating systems have a "Print to PDF" option that allows you to save a document as a PDF file instead of printing it on paper. Online converters: There are various online tools that can convert different file types to PDF. **How do I edit a 30 40le Control Diagram PDF?** Editing a PDF can be done with software like Adobe Acrobat, which allows direct editing of text, images, and other elements within the PDF. Some free tools, like PDFescape or Smallpdf, also offer basic editing capabilities. **How do I convert a 30 40le Control Diagram PDF to another file format?** There are multiple ways to convert a PDF to another format: Use online converters like Smallpdf, Zamzar, or Adobe Acrobats export feature to convert PDFs to formats like Word, Excel, JPEG, etc. Software like Adobe Acrobat, Microsoft Word, or other PDF editors may have options to export or save PDFs in different formats. **How do I password-protect a 30 40le Control Diagram PDF?** Most PDF editing software allows you to add password protection. In Adobe Acrobat, for instance, you can go to "File" -> "Properties" -> "Security" to set a password to restrict access or editing capabilities. Are there any free alternatives to Adobe Acrobat for working with PDFs? Yes, there are many free alternatives for working with PDFs, such as: LibreOffice: Offers PDF editing features. PDFsam: Allows splitting, merging, and editing PDFs. Foxit Reader: Provides basic PDF viewing and editing capabilities. How do I compress a PDF file? You can use online tools like Smallpdf, ILovePDF, or desktop software like Adobe Acrobat to compress PDF files without significant quality loss. Compression reduces the file size, making it easier to share and download. Can I fill out forms in a PDF file? Yes, most PDF viewers/editors like Adobe Acrobat, Preview (on Mac), or various online tools allow you to fill out forms in PDF files by selecting text fields and entering information. Are there any restrictions when working with PDFs? Some PDFs might have restrictions set by their creator, such as password protection, editing restrictions, or print restrictions. Breaking these restrictions might require specific software or tools, which may or may not be legal depending on the circumstances and local laws.

**Find 30 40le Control Diagram :**

*blueprint for small business 17-169 stock market case study USA 17-2053*  
*productivity hacks software for entrepreneurs 17-1650 productivity hacks*  
**entrepreneurs 17-1110 smart home tech case study for startups 17-1520**  
*automation guide USA 17-128 business automation guide USA 17-2073*  
**monetization step by step USA 17-2081 blog monetization step by step**  
*17-1968 small business ideas comparison for startups 17-1334 small*  
*marketing trends USA 17-1287 content marketing trends for creators*  
**best practices United States 17-1068 parenting tips best practices for**  
*17-991 coding for beginners strategies USA 17-2472 coding for beginners*  
*ideas comparison for entrepreneurs 17-1961 mobile app ideas explained*  
*17-1697 luxury travel tools United States 17-192 luxury travel tools for*  
*examples for small business 17-828 online privacy explained for*  
*step for creators 17-2992 business automation step by step for*  
*software United States 17-618 small business ideas software for creators*  
*17-1615 remote jobs blueprint USA 17-2618 remote jobs blueprint for*

**30 40le Control Diagram :**

*great fire of london google arts culture - Jul 05 2022*  
sep 2 1666 sep 6 1666 the great fire of london was a major conflagration that swept through the central parts of london from  
sunday 2 september to thursday 6 september 1666 the fire gutted the medieval city of london inside the old roman city wall  
*the great fire of london royal museums greenwich - Aug 06 2022*  
explore the great fire of london in our fact packed infographic the great fire of london burned day and night for almost four  
days in 1666 until only a tiny fraction of the city remained it came hot on the heels of the great plague and left the world s  
third largest city of the time a shadow of its former self  
**the great fire of london 1666 collection museum of london - Nov 09 2022**  
on 2 september 1666 an event started that would change the face of london the great fire broke out from a baker s house in  
pudding lane by the time it was over four days later much of the medieval city lay in smoking ruins these objects from  
**great fire of london great events band 2 bbqreport - Apr 02 2022**

great fire of london great events band 2 by permission of heaven the great fire of london the great fire of london the great fire of london the great fire of london the great fire of london london londoners and the great fire of 1666 the great fire of london in 1666 1666 plague war and hellfire the thieves of

*bbc sounds the great fire of london available episodes - Sep 07 2022*

explore the great fire of london through music dance and drama activities episodes 9 available 9 the story of the great fire of london cat sandion looks back to 1666 and causes and

**the great fire of london facts national geographic kids - Apr 14 2023**

the great fire of london started at around 1am on sunday 2 september 1666 and boy did it burn the fire raged for four days straight until its final fizzles were extinguished on thursday 6 september 1666 what caused the great fire of london

**second great fire of london wikipedia - Jun 04 2022**

attack on the night of 29 30 december 1940 approximately 100 000 mostly small incendiary bombs fell on the city 2 the germans dispatched 136 bombers to the city fewer incendiaries were dropped than in the raids of 15 november or 8 december

**great fire of london wikipedia - Sep 19 2023**

the great fire of london was a major conflagration that swept through central london from sunday 2 september to thursday 6 september 1666 1 gutting the medieval city of london inside the old roman city wall while also extending past the wall to the west

**the great fire of london bbc teach - Dec 10 2022**

welcome to matrix part 1 of a two part interactive role play adventure about the great fire of london 8 completing the challenge part 2 of a two part interactive role play adventure

**five ways the great fire changed london bbc news - May 03 2022**

jul 22 2016 bbc news the great fire of london raged for four days in 1666 destroying much of the city and leaving some 100 000 people homeless as the museum of london prepares to mark the 350th anniversary

*history ks1 2 what happened during the great fire of london - Jan 11 2023*

pupils are introduced to samuel pepys who wrote about the fire in his famous diary and also reported on it to king charles ii the king commanded pepys to go to the lord mayor and order him to

**great fire of london great plague charles ii firefighting - May 15 2023**

oct 13 2023 great fire of london september 2 5 1666 the worst fire in london s history it destroyed a large part of the city of london including most of the civic buildings old st paul s cathedral 87 parish churches and about 13 000 houses

**the great fire of london bbc bitesize ks3 history bbc - Mar 13 2023**

in the early hours of 2 september 1666 a fire started in london over the course of a few days the fire spread across the city causing widespread destruction the causes of the fire and why it

**great fire of london great events band 2 2022 web1 kdhx** - Mar 01 2022

great fire of london great events band 2 1 great fire of london great events band 2 london londoners and the great fire of 1666 history of the plague in london 1665 great fire of london colouring and activity book the great fire of london when london burned the great fire of london the great fire dogs the great fire of london the great fire

*the great fire of london bbc bitesize* - Jul 17 2023

ks1 the great fire of london part of history events beyond living memory year 1 year 2 watch why did the great fire of london happen video transcript rat how did the great

great fire of london man who first raised alarm identified - Jan 31 2022

sep 1 2023 the person who is thought to have first raised the alarm about a blaze at a bakery that became the great fire of london has been identified the fire which began in thomas farriner s property in

**the great fire of london youtube** - Oct 08 2022

nov 29 2018 summary video on the causes events of the great fire of london

**history ks1 the great fire of london bbc teach** - Aug 18 2023

we ll discover the causes of the great fire of london and the roles played by the lord mayor and king charles ii during the fire we ll encounter samuel pepys and learn how he documented the

**great fire of london how london changed the national** - Feb 12 2023

some people buried their things in the garden hoping to save them from the fire the fire still spread helped by a strong wind from the east london bridge and st paul s cathedral were both burnt on tuesday king charles ii ordered that houses and shops be pulled down to stop the fire from spreading

**great fire of london great events band 2 taschenbuch** - Jun 16 2023

great fire of london great events band 2 clements gillian isbn 9780749642518 kostenloser versand für alle bücher mit versand und verkauf duch amazon

*advanced power electronics and electric machines* - May 11 2023

web advanced power electronics in this programme you will work with electronics power electronics electrical machines control engineering with artificial intelligence

course catalogue advanced power electronics and machines - Jun 12 2023

decarbonization and electrification of transportation relies heavily on power electronics to distribute the proper amount and type of power between ev system see more

**5 advanced power electronics department of energy** - Feb 25 2022

web abb s power electronics products and systems such as excitation systems high power rectifiers and dc wayside power solutions help customers to improve their productivity

**3 advanced power electronics and electrical machines** - Apr 10 2023

web jan 20 2022 applications of power electronics and machines in energy systems and transport modelling and design techniques for electrical machines permanent

**advanced power electronics m sc aalborg university esbjerg** - Oct 04 2022

web in this advanced power electronics programme at aalborg university you will study advanced power electronics electrical machines with strong focus on control

**advanced power electronics master aalborg university** - Dec 06 2022

web apr 20 2023 study msc advanced power engineering at the university of edinburgh our two year postgraduate degree programme will train power engineers in the most

**pdf advanced power electronics book** - Mar 29 2022

web lectures and short courses plenary lecture kansas power energy conference 2021 multi input multi output ac link power converter manhattan ks apr 19 20 2021

*advanced power electronics and electric machines for electric* - Jan 07 2023

web summary electronics power electronics and electric machines are becoming important for an array of mobility transportation renewable energy and energy efficiency

*advanced power electronics corp dun bradstreet* - Dec 26 2021

web elektrik motoru çeşitleri elektrik motoru ölçüleri satışını yaptığımız elektrik motoru markaları volt abb koncar umeb ile ilgili bilgi almak için elektrik motoru

*lnmob 1 future trends of advanced power electronics and* - Sep 03 2022

web apr 24 2023 the programme develops through the year from advanced fundamental topics and research tools and techniques in electrical power engineering to specialist

**biography advanced electric machines and power electronics lab** - Jul 01 2022

web in general power electronics refers to conversion and control of electric power active electronic circuits operate with solid state semiconductor devices where these power

**advanced power electronics and electric machines** - Aug 14 2023

we provide the scientific building blocks needed to spur ev innovation through fundamental power electronics and electric machine research and engineering see more

[course catalogue advanced power electronics and machines](#) - Oct 24 2021

web it also works on microwave engineering antenna design and development optical sensors plasma and shock physics advanced ordnance systems non destructive testing signal

**advanced power engineering msc the university of** - Feb 08 2023

web energy efficient and cost effective advanced power electronics and electric machine apem capacitor technologies into electric drive vehicles such as electric vehicles

**lectures and short courses advanced electric machines and** - May 31 2022

web feb 14 2023 abstract the presentation provides an overview of nrel s advanced power electronics and electric machines apem group and its research activities

**advanced power technologies wikipedia** - Nov 24 2021

web industry specialized design services semiconductor and other electronic component manufacturing professional scientific and technical services design commercial

[electrical power engineering msc the university of edinburgh](#) - Nov 05 2022

web advanced power electronics and electric machines for electric drive mobility applications hybrid fee for on site only thermal management dielectric fluids

**elektrik motoru volt abb Ünlü teknik** - Jan 27 2022

web achieving the power electronics and electrical machines goals will require the development of new technologies these new technologies must be compatible with high

**advanced power electronics and electric machines osti gov** - Aug 02 2022

web this advanced power electronics programme at aalborg university esbjerg combines contemporary technologies with adaptation from classic technologies such as

[power electronics abb](#) - Apr 29 2022

web biography prof toliyat received the b s degree from sharif university of technology tehran iran in 1982 the m s degree from west virginia university morgantown wv in

[advanced power electronics and electric machines for electric](#) - Mar 09 2023

web nrel s advanced power electronics and electric machines experimentation facilities feature a range of equipment and enable world class experimental and modeling

*advanced power electronics master degree aalborg* - Jul 13 2023

our world class facilities and equipment enable innovative experimental and modeling capabilities for advanced power electronics and electric machine see more

**hitler ascent 1889 1939 amazon com** - Aug 15 2023

web a comprehensive new biography of hitler focusing on the dictator s personality

**hitler ascent 1889 1939 ullrich volker amazon com au books** - Apr 30 2022

web adolf hitler sağda benito mussolini ye kurt İni karargâhında bombalı suikast girişimi

a new biography of hitler separates the man from - Mar 10 2023

web while charting in detail hitler s life from his childhood to the eve of the second world war

**hitler ascent 1889 1939 kindle edition amazon com** - Oct 25 2021

**hitler volume 1 ascent 1889 1939 archive org** - Oct 05 2022

web buy hitler volume i ascent 1889 1939 hitler biographies 1 1 by ullrich volker

*national geographic hitler in son senesi* - Dec 27 2021

**hitler s circle of evil netflix** - Nov 25 2021

*hitler ascent 1889 1939 volker ullrich google books* - Jun 13 2023

web hitler ascent 1889 1939 volker ullrich don hagen reading 4 43 2 503 ratings311

*hitler volume i ascent 1889 1939 google books* - Feb 09 2023

web hitler ascent 1889 1939 ebook written by volker ullrich read this book using google

hitler ascent 1889 1939 audible audiobook unabridged - Mar 30 2022

web haziran 1944 te normandiya daki d day landings den mayıs 1945 te almanların teslim

**hitler volume i ascent 1889 1939 hitler biographies 1** - Jul 02 2022

web amazon com hitler ascent 1889 1939 audible audio edition volker ullrich don

**adolf hitler in sağlığı wikpedi** - Jan 28 2022

web sep 6 2016 hitler ascent 1889 1939 is not a complete biography of adolph hitler it is

**hitler ascent 1889 1939 by volker ullrich google play** - Dec 07 2022

web hitler ascent 1889 1939 paperback illustrated 24 oct 2017 new york times

adolf hitler wikpedi - Feb 26 2022

web hitler s circle of evil 2017 yetişkinlik düzeyi 16 1 sezon documentaries hitler in

*adolf hitler ascent 1889 1939 ullrich volker 1943 free* - Jul 14 2023

web oct 24 2017 hitler ascent 1889 1939 volker ullrich knopf doubleday publishing

hitler ascent 1889 1939 volker ullrich google books - Apr 11 2023

web mar 3 2016 on publication in germany in 2013 hitler ascent 1889 1939 became a

**hitler ascent 1889 1939 amazon co uk** - Sep 04 2022

web sep 6 2016 drawing on previously unseen papers and a wealth of recent scholarly

*hitler ascent 1889 1939 amazon ca* - Jun 01 2022

web adolf hitler almanca telaffuz 'adolf 'hitler dinle yardım bilgi 20 nisan 1889 braunau

hitler ascent 1889 1939 volker ullrich google books - Jan 08 2023

web jan 22 2022 hitler volume 1 ascent 1889 1939 ullrich volker 1943 author free

**in hitler an ascent from dunderhead to demagogue** - Nov 06 2022

web buy hitler ascent 1889 1939 translation by ullrich volker chase jefferson isbn

*hitler ascent 1889 1939 by volker ullrich goodreads* - May 12 2023

web hitler ascent 1889 1939 volume 1 volker ullrich alfred a knopf 2016 biography

**hitler ascent 1889 1939 amazon co uk** - Aug 03 2022

web drawing on previously unseen papers and a wealth of recent scholarly research volker