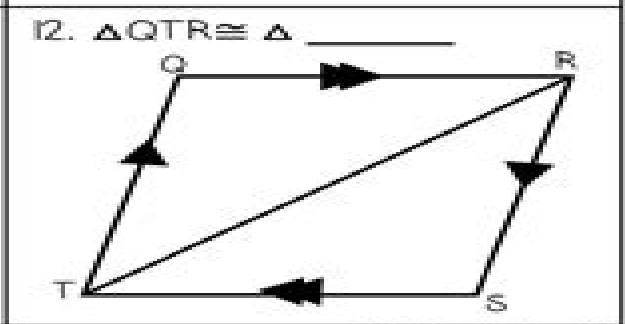
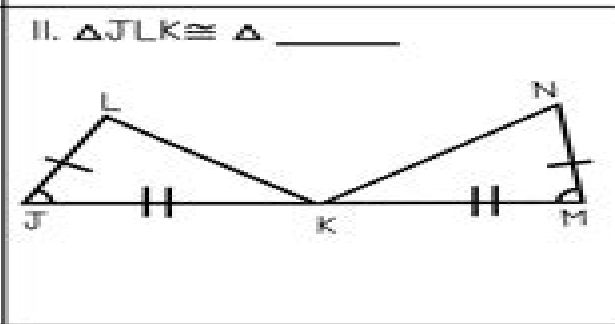
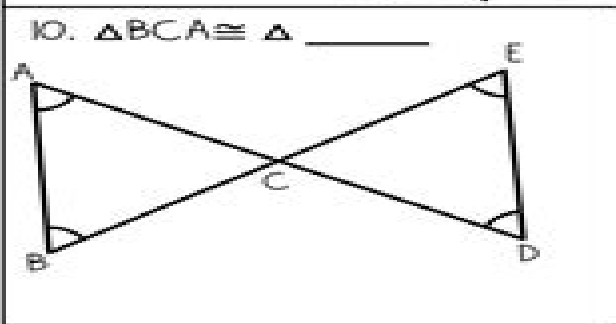
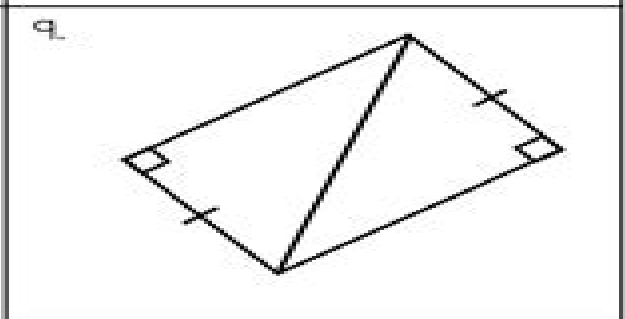
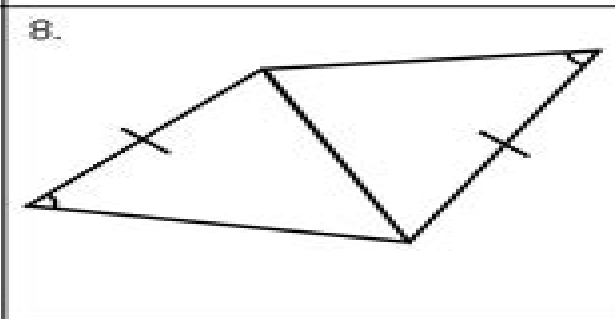
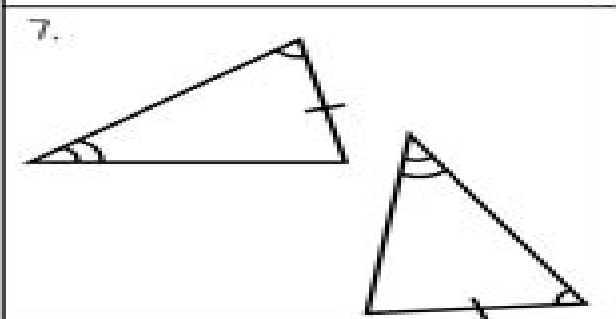
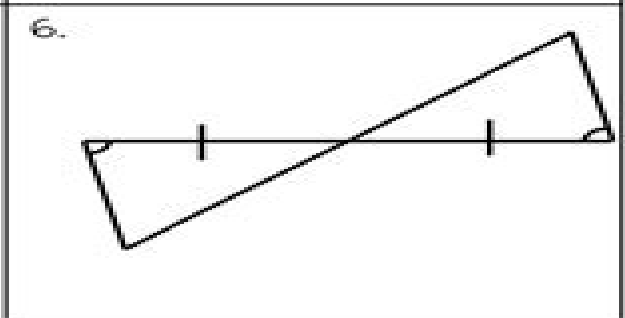
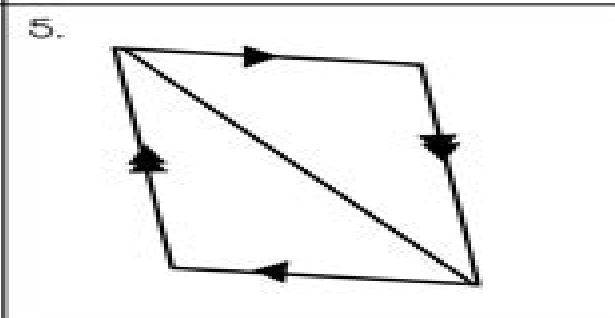
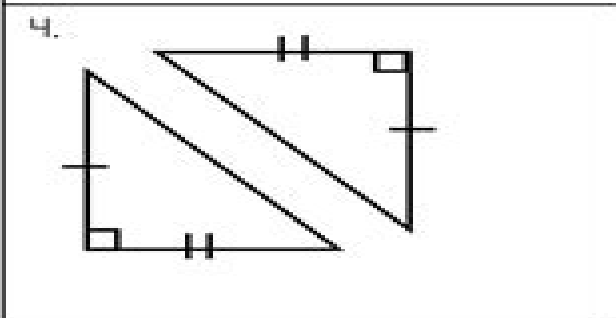
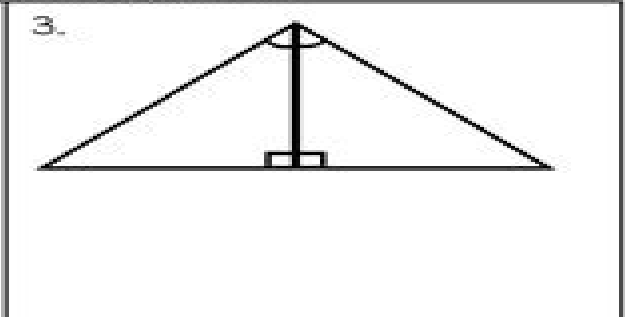
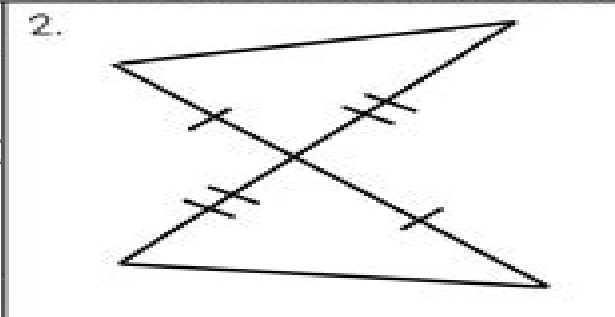
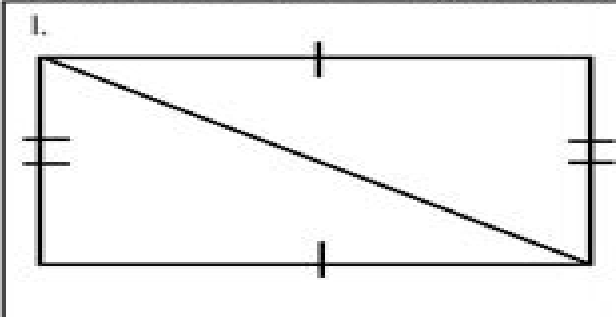


CONGRUENT TRIANGLE *practice 2*

Direction: State if the triangles are congruent by SSS, SAS, ASA, AAS, or HL. If the triangles are not congruent, write "no". *Triangles may not be drawn to scale.* For #10-12, finish the congruency statement.



4 3 Practice Congruent Triangles Answers

Jin-Ying Zhang



4 3 Practice Congruent Triangles Answers:

7 Full-Length Alaska AK STAR Grade 6 Math Practice Tests Reza Nazari, 2025-12-10 The Complete Guide to Excelling on the Alaska AK STAR Grade 6 Math Assessment The 7 Full Length Alaska AK STAR Grade 6 Math Practice Tests workbook stands as an indispensable resource crafted specifically for Alaska's educational community serving teachers parents homeschool families and tutors who are committed to helping students achieve success on the Alaska System of Academic Readiness mathematics examination This comprehensive collection addresses the specific demands of Alaska's Grade 6 Math assessment offering students authentic practice experiences that closely mirror the actual AK STAR test format and content expectations The workbook has been designed with careful attention to Alaska's educational standards ensuring that every practice test reflects the mathematical concepts skills and problem solving approaches that students must master to perform well on the official assessment Each of the seven practice tests contained within this workbook has been meticulously constructed to align with current Alaska AK STAR Grade 6 Math standards and official assessment specifications Students will encounter questions that authentically represent the actual examination including multiple choice items constructed response questions and mathematical tasks that require critical thinking and analytical reasoning The practice tests cover all essential mathematical domains for Grade 6 including ratios and proportional relationships the number system expressions and equations geometry and statistics and probability Comprehensive answer keys accompany each test providing detailed explanations that guide students through the problem solving process and help them understand the mathematical principles underlying each solution These explanations serve as valuable learning tools transforming practice sessions into meaningful educational experiences that build both procedural fluency and conceptual understanding The workbook's design supports multiple instructional contexts and learning environments Classroom teachers can implement these practice tests as benchmark assessments to measure student progress throughout the academic year as review materials to reinforce previously taught concepts or as intensive preparation tools in the weeks leading up to the AK STAR examination The printable format facilitates easy distribution and allows educators to use the materials in various ways as whole class activities small group instruction learning center tasks or homework assignments Homeschool educators will find the comprehensive coverage and clear explanations particularly valuable as they enable independent learning while ensuring students receive thorough preparation for the assessment Tutors working with individual students or small groups can use these practice tests to identify specific areas of need and provide targeted skill building support Fully aligned with Alaska AK STAR Grade 6 Math standards and current assessment guidelines Contains seven complete practice tests with comprehensive answer keys and step by step solution explanations Develops test taking confidence and reduces assessment anxiety through authentic practice experiences Perfect for classroom teachers homeschool parents and professional tutors Promotes skill mastery and long term retention through systematic practice and review opportunities Printable format

enables flexible implementation across diverse learning environments and instructional models Supports differentiated instruction by allowing educators to focus on specific mathematical domains or student needs This Grade 6 math practice test collection represents a comprehensive solution for Alaska students preparing for the AK STAR mathematics assessment The workbook functions as both an assessment tool and an instructional resource helping students develop the mathematical knowledge and test taking strategies essential for success Teachers will appreciate the classroom ready format that requires minimal preparation time while providing maximum educational value The state test prep workbook approach ensures students become comfortable with AK STAR question formats and assessment expectations building the confidence necessary to perform at their highest level Parents supporting their children s academic preparation will find this homeschool math review material particularly valuable as it provides comprehensive coverage of all Grade 6 mathematical concepts in an accessible student friendly format The detailed explanations that accompany each answer help students understand not only what the correct solution is but why it s correct and how to approach similar problems in the future making this resource a powerful tool for mastery based learning and skill development Educators seeking effective test preparation resources will find that this workbook offers substantial time savings while ensuring thorough coverage of all Alaska AK STAR Grade 6 Math standards The practice tests can be strategically integrated throughout the school year to monitor student progress identify learning gaps and provide targeted intervention support when needed Teachers can easily adapt these materials to fit their instructional style using them for whole class review sessions small group remediation or individual student support The printable format provides maximum flexibility allowing educators to customize implementation based on their specific classroom needs and student requirements Parents and homeschool educators will discover that this resource provides comprehensive support for their students preparation journey with clear explanations and thorough coverage that builds both mathematical competency and assessment confidence Give your students the focused practice they need to succeed with confidence on the Alaska AK STAR Grade 6 Math assessment

[5 New Hampshire NH SAS Grade 6 Math Practice Tests](#) Reza Nazari,2026-02-13 The Essential New Hampshire NH SAS Grade 6 Math Test Prep Resource Designed to support New Hampshire students preparing for the NH SAS Grade 6 Math test 5 NH SAS Grade 6 Math Practice Tests delivers comprehensive practice through five complete assessments This valuable workbook provides educators parents and tutors with ready to use materials that align with current standards and assessment expectations The resource facilitates skill development confidence building and thorough preparation for successful performance on the NH SAS Grade 6 Math exam This comprehensive resource contains five complete practice tests that mirror the NH SAS Grade 6 Math assessment format and standards Each test provides thorough coverage of essential mathematical concepts while offering students realistic practice opportunities Detailed answer explanations accompany every test offering clear guidance on solution methods and mathematical reasoning The printable classroom ready format supports flexible use in various educational settings including

math centers small group instruction homework assignments and intervention programs Students engage with authentic assessment scenarios that build skills confidence and readiness for the actual NH SAS Grade 6 Math test Aligned to NH SAS Grade 6 Math standards and assessment structure Provides five comprehensive practice tests Complete answer keys with detailed explanations Develops test taking abilities and confidence Perfect for various educational contexts Supports skill acquisition and retention Access to an online Grade 6 Math center with lessons videos practices and worksheets Ready to print resource format Grade 6 Math practice tests offer students realistic assessment practice while reinforcing key mathematical concepts and skills This New Hampshire NH SAS math practice resource includes five comprehensive practice tests covering all essential sixth grade standards serving as a valuable state test prep workbook for diverse learning needs The printable format facilitates use in classrooms homeschool math instruction and skill building programs Detailed student friendly explanations accompany each answer making mathematical concepts accessible and understandable The resource delivers benchmark ready math support that prepares students for the NH SAS Grade 6 Math assessment through authentic practice experiences Educators parents and homeschool teachers will appreciate this thorough test preparation tool that supports student success Educators homeschool parents and tutors will appreciate the efficiency of this ready to use resource that supports effective instruction The workbook encourages mastery based learning through systematic practice that builds mathematical competence Students experience enhanced confidence and skill development as they engage with these comprehensive practice tests designed for the NH SAS Grade 6 Math assessment Provide your students with the essential practice they need to achieve success

5 Washington Smarter Balanced Grade 6 Math Practice Tests Reza Nazari, 2026-02-13 Comprehensive Practice for the Washington Smarter Balanced Grade 6 Math Assessment This essential test preparation workbook *5 Smarter Balanced Grade 6 Math Practice Tests* provides Washington students with comprehensive practice for the Smarter Balanced Grade 6 Math assessment Featuring five complete practice tests aligned with current standards the workbook serves teachers planning instruction parents supporting learning and homeschool families seeking structured practice The resource offers realistic assessment experiences that strengthen mathematical skills and prepare students for test day The workbook includes five comprehensive practice tests designed to match the Smarter Balanced Grade 6 Math assessment format and standards Each test offers complete coverage of essential mathematical concepts while providing students with realistic test taking practice Thorough answer keys feature step by step explanations that help students understand solution methods and develop problem solving strategies The classroom ready printable format supports various instructional approaches including whole group instruction small group activities math centers and individual practice Students also gain access to an online Grade 6 Math center featuring lessons videos practices and worksheets Students benefit from authentic assessment experiences that strengthen mathematical understanding and prepare them for successful performance on the Smarter Balanced Grade 6 Math exam Designed to match Smarter Balanced

Grade 6 Math standards and format Features five complete practice tests Thorough answer explanations for all questions Improves confidence and test performance Flexible for multiple learning environments Fosters mathematical skill development Easy to use printable materials Grade 6 math practice tests serve as essential tools for test preparation offering students authentic assessment experiences that build both mathematical skills and test taking confidence This Washington Smarter Balanced math practice resource provides comprehensive coverage of all sixth grade mathematical concepts through five complete practice tests The workbook functions as an ideal state test prep workbook delivering printable materials that support classroom instruction homeschool math review and targeted intervention programs Student friendly explanations accompany every answer ensuring learners understand not just correct solutions but the mathematical reasoning behind each problem The resource serves as benchmark ready math support helping students prepare for the Smarter Balanced Grade 6 Math assessment while building essential skills through systematic practice Teachers parents and tutors will find this comprehensive practice test collection invaluable for supporting student success Educators homeschool families and tutors will value this comprehensive resource that saves preparation time while supporting effective instruction The workbook facilitates mastery based learning through repeated practice opportunities that build mathematical proficiency Students develop increased confidence and improved skills as they work through these authentic practice tests aligned with Smarter Balanced Grade 6 Math standards Provide your students with the comprehensive practice they need to achieve success

Power Practice: Math Logic and Word Problems, Gr. 3-4, eBook Angela Higgs,2005-02-01 **5 South Dakota Smarter Balanced Grade 6 Math Practice Tests** Reza Nazari,2026-02-13 Achieve Success on the South Dakota Smarter Balanced Grade 6 Math Test Essential Practice Resource Created for South Dakota sixth grade students 5 Smarter Balanced Grade 6 Math Practice Tests delivers thorough test preparation through five comprehensive practice assessments This valuable resource provides teachers homeschool educators and parents with ready to use materials that align with Smarter Balanced Grade 6 Math standards and assessment expectations The workbook supports diverse learning environments while ensuring students receive the practice needed for successful performance on the actual exam This resource features five full length practice tests that accurately reflect the Smarter Balanced Grade 6 Math assessment format and standards Each test covers all essential mathematical concepts while providing students with authentic practice experiences that build both understanding and confidence Comprehensive answer keys include detailed explanations that guide students through problem solving processes helping them develop strong mathematical thinking skills The printable ready to use format supports diverse instructional needs making it perfect for classroom activities independent practice small group work and intervention programs Students engage with realistic assessment scenarios that prepare them thoroughly for the actual Smarter Balanced Grade 6 Math test Fully aligned with Smarter Balanced Grade 6 Math standards and assessment format Includes five complete practice tests covering all essential concepts Comprehensive answer keys with detailed step by

step explanations Builds test taking confidence through repeated practice Ideal for classroom instruction homework or homeschool use Supports skill mastery and mathematical understanding Access to an online Grade 6 Math center with lessons videos practices and worksheets Printable format ready for immediate use Grade 6 Math practice tests offer students authentic assessment experiences that strengthen mathematical understanding and prepare them for standardized exams This South Dakota Smarter Balanced math practice resource includes five complete practice tests covering all essential sixth grade mathematical concepts The workbook serves as a comprehensive state test prep workbook delivering printable materials suitable for classroom instruction homeschool math programs and intervention activities Clear student friendly explanations accompany every answer helping learners grasp mathematical reasoning and solution methods As benchmark ready math support the resource prepares students for the Smarter Balanced Grade 6 Math assessment while building essential skills through systematic practice The resource includes access to an online Grade 6 Math center with lessons videos practices and worksheets for additional support This valuable test preparation tool supports educators parents and homeschool families in helping students achieve assessment success Educators homeschool families and tutors will value this valuable resource that simplifies test preparation while supporting achievement The workbook facilitates mastery based learning through repeated practice opportunities that enhance mathematical proficiency Students develop increased confidence and improved skills as they work through these authentic practice tests aligned with Smarter Balanced Grade 6 Math standards Give your students the practice resources they need to succeed **Educational Times** ,1914

Educational Times and Journal of the College of Preceptors ,1915 **The Educational Times, and Journal of the College of Preceptors** ,1915 *Foundations of Algebra and Geometry* ,1996 **Houghton Mifflin Mathematics** ,2000-09 *The Education Gazette of the Province of the Cape of Good Hope* Cape of Good Hope (South Africa). Education Department,1908 *The Mathematics Teacher* ,1930 *Practice for Officer Candidate Tests* David Reuben Turner,1974 Math Plus ,1994 HB Staff,1994 The Mathematics Experience Mary Ann Haubner,1992 *Scott Foresman-Addison Wesley Mathematics* ,2008 Mathematics ,2004 **Practice Mathematics** Fredrick,1989 11 Practice Tests for the New SAT and PSAT Princeton Review (Firm),2004-07-13 This handbook offers proven test taking strategies for facing the SAT's new challenges head on Includes 11 full length tests based on all new specifications Includes free online tests with individual score reporting **SRA Mathematics** ,1977

Embark on a transformative journey with Written by is captivating work, Discover the Magic in **4 3 Practice Congruent Triangles Answers** . This enlightening ebook, available for download in a convenient PDF format , invites you to explore a world of boundless knowledge. Unleash your intellectual curiosity and discover the power of words as you dive into this riveting creation. Download now and elevate your reading experience to new heights .

https://py.bijouxmedusa.com/About/virtual-library/Download_PDFS/United%20States%2092%202064%20Chatbot%20Development%20Trends%20For%20Creators%2092%2027.pdf

Table of Contents 4 3 Practice Congruent Triangles Answers

1. Understanding the eBook 4 3 Practice Congruent Triangles Answers
 - The Rise of Digital Reading 4 3 Practice Congruent Triangles Answers
 - Advantages of eBooks Over Traditional Books
2. Identifying 4 3 Practice Congruent Triangles Answers
 - Exploring Different Genres
 - Considering Fiction vs. Non-Fiction
 - Determining Your Reading Goals
3. Choosing the Right eBook Platform
 - Popular eBook Platforms
 - Features to Look for in an 4 3 Practice Congruent Triangles Answers
 - User-Friendly Interface
4. Exploring eBook Recommendations from 4 3 Practice Congruent Triangles Answers
 - Personalized Recommendations
 - 4 3 Practice Congruent Triangles Answers User Reviews and Ratings
 - 4 3 Practice Congruent Triangles Answers and Bestseller Lists
5. Accessing 4 3 Practice Congruent Triangles Answers Free and Paid eBooks
 - 4 3 Practice Congruent Triangles Answers Public Domain eBooks
 - 4 3 Practice Congruent Triangles Answers eBook Subscription Services

- 4 3 Practice Congruent Triangles Answers Budget-Friendly Options
- 6. Navigating 4 3 Practice Congruent Triangles Answers eBook Formats
 - ePub, PDF, MOBI, and More
 - 4 3 Practice Congruent Triangles Answers Compatibility with Devices
 - 4 3 Practice Congruent Triangles Answers Enhanced eBook Features
- 7. Enhancing Your Reading Experience
 - Adjustable Fonts and Text Sizes of 4 3 Practice Congruent Triangles Answers
 - Highlighting and Note-Taking 4 3 Practice Congruent Triangles Answers
 - Interactive Elements 4 3 Practice Congruent Triangles Answers
- 8. Staying Engaged with 4 3 Practice Congruent Triangles Answers
 - Joining Online Reading Communities
 - Participating in Virtual Book Clubs
 - Following Authors and Publishers 4 3 Practice Congruent Triangles Answers
- 9. Balancing eBooks and Physical Books 4 3 Practice Congruent Triangles Answers
 - Benefits of a Digital Library
 - Creating a Diverse Reading Collection 4 3 Practice Congruent Triangles Answers
- 10. Overcoming Reading Challenges
 - Dealing with Digital Eye Strain
 - Minimizing Distractions
 - Managing Screen Time
- 11. Cultivating a Reading Routine 4 3 Practice Congruent Triangles Answers
 - Setting Reading Goals 4 3 Practice Congruent Triangles Answers
 - Carving Out Dedicated Reading Time
- 12. Sourcing Reliable Information of 4 3 Practice Congruent Triangles Answers
 - Fact-Checking eBook Content of 4 3 Practice Congruent Triangles Answers
 - Distinguishing Credible Sources
- 13. Promoting Lifelong Learning
 - Utilizing eBooks for Skill Development
 - Exploring Educational eBooks
- 14. Embracing eBook Trends

- Integration of Multimedia Elements
- Interactive and Gamified eBooks

4 3 Practice Congruent Triangles Answers Introduction

4 3 Practice Congruent Triangles Answers Offers over 60,000 free eBooks, including many classics that are in the public domain. Open Library: Provides access to over 1 million free eBooks, including classic literature and contemporary works. 4 3 Practice Congruent Triangles Answers Offers a vast collection of books, some of which are available for free as PDF downloads, particularly older books in the public domain. 4 3 Practice Congruent Triangles Answers : This website hosts a vast collection of scientific articles, books, and textbooks. While it operates in a legal gray area due to copyright issues, its a popular resource for finding various publications. Internet Archive for 4 3 Practice Congruent Triangles Answers : Has an extensive collection of digital content, including books, articles, videos, and more. It has a massive library of free downloadable books. Free-eBooks 4 3 Practice Congruent Triangles Answers Offers a diverse range of free eBooks across various genres. 4 3 Practice Congruent Triangles Answers Focuses mainly on educational books, textbooks, and business books. It offers free PDF downloads for educational purposes. 4 3 Practice Congruent Triangles Answers Provides a large selection of free eBooks in different genres, which are available for download in various formats, including PDF. Finding specific 4 3 Practice Congruent Triangles Answers, especially related to 4 3 Practice Congruent Triangles Answers, might be challenging as theyre often artistic creations rather than practical blueprints. However, you can explore the following steps to search for or create your own Online Searches: Look for websites, forums, or blogs dedicated to 4 3 Practice Congruent Triangles Answers, Sometimes enthusiasts share their designs or concepts in PDF format. Books and Magazines Some 4 3 Practice Congruent Triangles Answers books or magazines might include. Look for these in online stores or libraries. Remember that while 4 3 Practice Congruent Triangles Answers, sharing copyrighted material without permission is not legal. Always ensure youre either creating your own or obtaining them from legitimate sources that allow sharing and downloading. Library Check if your local library offers eBook lending services. Many libraries have digital catalogs where you can borrow 4 3 Practice Congruent Triangles Answers eBooks for free, including popular titles. Online Retailers: Websites like Amazon, Google Books, or Apple Books often sell eBooks. Sometimes, authors or publishers offer promotions or free periods for certain books. Authors Website Occasionally, authors provide excerpts or short stories for free on their websites. While this might not be the 4 3 Practice Congruent Triangles Answers full book , it can give you a taste of the authors writing style. Subscription Services Platforms like Kindle Unlimited or Scribd offer subscription-based access to a wide range of 4 3 Practice Congruent Triangles Answers eBooks, including some popular titles.

FAQs About 4 3 Practice Congruent Triangles Answers Books

What is a 4 3 Practice Congruent Triangles Answers PDF? A PDF (Portable Document Format) is a file format developed by Adobe that preserves the layout and formatting of a document, regardless of the software, hardware, or operating system used to view or print it. **How do I create a 4 3 Practice Congruent Triangles Answers PDF?** There are several ways to create a PDF: Use software like Adobe Acrobat, Microsoft Word, or Google Docs, which often have built-in PDF creation tools. Print to PDF: Many applications and operating systems have a "Print to PDF" option that allows you to save a document as a PDF file instead of printing it on paper. Online converters: There are various online tools that can convert different file types to PDF. **How do I edit a 4 3 Practice Congruent Triangles Answers PDF?** Editing a PDF can be done with software like Adobe Acrobat, which allows direct editing of text, images, and other elements within the PDF. Some free tools, like PDFescape or Smallpdf, also offer basic editing capabilities. **How do I convert a 4 3 Practice Congruent Triangles Answers PDF to another file format?** There are multiple ways to convert a PDF to another format: Use online converters like Smallpdf, Zamzar, or Adobe Acrobats export feature to convert PDFs to formats like Word, Excel, JPEG, etc. Software like Adobe Acrobat, Microsoft Word, or other PDF editors may have options to export or save PDFs in different formats. **How do I password-protect a 4 3 Practice Congruent Triangles Answers PDF?** Most PDF editing software allows you to add password protection. In Adobe Acrobat, for instance, you can go to "File" -> "Properties" -> "Security" to set a password to restrict access or editing capabilities. Are there any free alternatives to Adobe Acrobat for working with PDFs? Yes, there are many free alternatives for working with PDFs, such as: LibreOffice: Offers PDF editing features. PDFsam: Allows splitting, merging, and editing PDFs. Foxit Reader: Provides basic PDF viewing and editing capabilities. How do I compress a PDF file? You can use online tools like Smallpdf, ILovePDF, or desktop software like Adobe Acrobat to compress PDF files without significant quality loss. Compression reduces the file size, making it easier to share and download. Can I fill out forms in a PDF file? Yes, most PDF viewers/editors like Adobe Acrobat, Preview (on Mac), or various online tools allow you to fill out forms in PDF files by selecting text fields and entering information. Are there any restrictions when working with PDFs? Some PDFs might have restrictions set by their creator, such as password protection, editing restrictions, or print restrictions. Breaking these restrictions might require specific software or tools, which may or may not be legal depending on the circumstances and local laws.

Find 4 3 Practice Congruent Triangles Answers :

[United States 92-2064 chatbot development trends for creators 92-27](#)
[small business 92-1789 weight loss blueprint America 92-1321 weight loss](#)

data science careers software USA 92-1203 data science careers software
United States 92-900 data science careers examples for entrepreneurs
92-97 remote jobs explained USA 92-1062 remote jobs explained for
America 92-1664 dropshipping business step by step for creators 92-1521
automation tips for startups 92-1724 business automation tips for
for startups 92-1177 YouTube growth for beginners United States 92-1194
ideas blueprint for creators 92-265 small business ideas blueprint for
vehicles trends for startups 92-1437 electric vehicles trends for
strategy software for entrepreneurs 92-196 SEO strategy software for
92-2875 healthy recipes checklist for creators 92-4 healthy recipes
creators 92-1953 mental wellness strategies USA 92-983 mental wellness
content marketing trends for startups 92-1748 content marketing tutorial
wellness tutorial for creators 92-421 mental wellness tutorial for

4 3 Practice Congruent Triangles Answers :

la route sombre littérature étrangère 11212 french edition - Sep 04 2022
web la route sombre littérature étrangère 11212 french edition jian ma amazon com au books
la route sombre jian ma actualité - Jul 14 2023
web aug 20 2014 avec la route sombre ma jian célèbre dissident chinois signe un roman bouleversant où la violence du
contrôle social vous saisit de plein fouet la route sombre jian ma newsletter
editions of reflets sur la route sombre by pierre loti goodreads - Jul 02 2022
web editions for reflets sur la route sombre 0530055872 hardcover published in 2019 2824711124 kindle edition published
in 2015 hardcover published i
route sombre la jian ma 9782290117736 books - Dec 07 2022
web select the department you want to search in
route sombre la jian ma amazon ca books - Nov 06 2022
web hello select your address books
sg driver information session lalamove - Feb 26 2022
web 1 monday to friday 11 am 3 pm 2 tuesday thursday 7 30 pm 3 saturday 11 am latecomers will have to reschedule no
sessions on public holidays join us for lalamove s driver partner information session and starting earning with your vehicle

today

la route sombre by ma jian goodreads - Sep 16 2023

web jun 13 2013 avec la route sombre ma jian célèbre dissident chinois signe un roman bouleversant où la violence du contrôle social vous saisit de plein fouet titre original the dark road Éditeur original chatto windus ma jian 2013

la route sombre jian ma babelio - Oct 17 2023

web aug 20 2014 c est un livre très noir sur la politique de l enfant unique du point de vue d une jeune femme de 22 ans qui essaie de jongler entre la pression de son époux qui désire ardemment un héritier mâle pour prolonger la descendance de confucius à la 77 ème génération et le parti communiste qui par le planning familial traque les

la route sombre de ma jian editions flammariion - Aug 15 2023

web aug 20 2014 dans son nouveau roman la route sombre l écrivain chinois exilé en angleterre signe un témoignage dérangeant sur la violence du contrôle social dans son pays d origine sans concession ni complaisance le dissident raconte une chine asphyxiée par une administration toute puissante

reflets sur la route sombre by pierre loti goodreads - Jun 01 2022

web during 1890 he published au maroc the record of a journey to fez in company with a french embassy and le roman d un enfant the story of a child a somewhat fictionalized recollection of loti s childhood that would greatly influence marcel proust

lalamove singapore return trip - Apr 30 2022

web return trip is only to return simple documents like receipts delivery orders do cheques etc

lalamove singapore fastest local courier services same - Mar 30 2022

web on demand furniture delivery service find out how you can deliver furniture on demand and receive within 3 hours all at affordable rates lalamove singapore supports you with the fastest courier delivery services including same day delivery last mile solutions and more learn more now

la route sombre paperback big book 20 aug 2014 - Feb 09 2023

web buy la route sombre by jian ma ménard pierre from amazon s fiction books store everyday low prices on a huge range of new releases and classic fiction

la route sombre format kindle amazon fr - May 12 2023

web la route sombre est l histoire de la lente éclosion et de l émancipation d une fleur de chine dans un monde de terreur d injustice et d immondices cette fleur s appelle meili jeune et jolie paysanne d un district du centre de la chine elle est mariée à un instituteur de campagne issu de la grande lignée de confucius et a une fille

la route sombre amazon sg books - Mar 10 2023

web hello sign in account lists returns orders cart

la route sombre ma jian ménard amazon nl books - Aug 03 2022

web select the department you want to search in

la route sombre french edition kindle edition amazon com - Oct 05 2022

web aug 20 2014 la route sombre french edition kindle edition by jian ma ménard pierre download it once and read it on your kindle device pc phones or tablets use features like bookmarks note taking and highlighting while reading la route sombre french edition

la route sombre pocket book august 26 2015 amazon com - Jun 13 2023

web aug 26 2015 la route sombre jian ma ménard pierre 9782290117736 amazon com books skip to main content la route sombre french edition pierre ménard 4 4 out of 5 stars 23 18 4 50 jeune paysanne née au coeur de la chine rurale meili est mariée à kongzi lointain descendant de confucius

la route sombre amazon sg books - Apr 11 2023

web hello select your address all

la route sombre jian ma 9782290117736 abebooks - Jan 08 2023

web la route sombre by jian ma isbn 10 2290117730 isbn 13 9782290117736 j ai lu 2015

gateway b1 workbook answers unit 3 - Mar 03 2022

web gateway b1 workbook answers unit 3 answer book to be used by the student jun 16 2021 web page sign of the candidate answer book to be used by the student 1 univ roll no in figures in word bridges in mathematics grade 4 student book unit 7 module 3 answer key dec 23 2021 web apr 4 2023 show all your work answer the equation will be 27 8 8 1 728

workbook answer key gateway online academia edu - Feb 14 2023

web perhaps 3 example answers it was a misunderstanding 1 they both live in countries where they e d 8 7 if i were you i d call a friend and see if you weren t born p a i d can borrow their books 2 they both started doing a different job but 8 if i were you i d ask her what she wants became famous musicians 2 students own answers

get the free gateway b1 workbook answers form pdfiller - Dec 12 2022

web the purpose of gateway b1 workbook answers is to provide students with the correct answers to questions from the gateway b1 workbook the workbook provides practice activities and tests to help students learn english grammar vocabulary and pronunciation

gateway b1 workbook answer key gateway - Aug 08 2022

web jan 30 2018 gateway b1 workbook answer key gateway online vocabulary p2011 a detached house 2 f cottage 3 c bungalow 4 e terraced house 5 d flat 6 b semi detached house 2 1 semi detached house 2 flat 3 terraced house 4 bungalow 3 t n s n o n s o a t t o n a o e m k e f t s t n p o n t w s o s y r t r o o k l o e n e g u d s c f e m o

gateway b1 test unit 3 pdf english language vocabulary - Sep 21 2023

web gateway b1 test unit 3 read online for free with key answers these tests are frequently used as exams in many schools use it wisely

b1 workbook answer key unit 1 vocabulary p studocu - May 05 2022

web 1 step 2 sore 3 lifting 4 game 5 range 6 warming gateway to exams units 7 reading p 1 1 t line 21 2 f line 12 3 f line 11 4 t line 17 5 t line 20 6 f line 34 7 t line 38 8 t line 52 listening p 2 1 c 2 b 3 c 4 a 5 a 6 c use of english p 3 1 c 2 a 3 c 4 b 5 c 6 c 7 b 8 d writing p 4

b1 student s book answer key pdf foods scribd - May 17 2023

web unit 1 students own answers ooo beautiful difficult elderly sociable vocabulary p6 5 ooo attractive good looking outgoing hold his breath deliberately stop breathing 3c 1 lungs organs in your chest you breathe students own answers build overweight strong well built with 4 height medium height tall

560285042 gateway b1 workbook answer key gatewayonline - Nov 11 2022

web gateway b1 workbook answer key gateway online 3 lost in translation vocabulary p 1 a switzerland b swiss c romansch french italian german d poland e polish f polish g japan h japanese i japanese j wales k welsh l welsh english m brazil n brazilian o portuguese p argentina q argentinian r spanish 2 1 f in russia they speak

gateway b1 workbook answers unit 3 2023 - Jul 07 2022

web what acing an answer looks like photocopyable audio scripts and videoscripts workbook answer key roadmap b1 workbook with digital resources feb 07 2021 straightforward may 05 2023 activate level b1 workbook without key per le scuole superiori con cd rom jul 27 2022

gateway b1 1st edition test unit 3 pdf traffic bus scribd - Mar 15 2023

web 6 1 crowded 2 busy 3 noisy 4 quiet 5 dirty 6 historic gateway b1 1st edition test unit 3 read online for free with key answers these tests are frequently used as exams in many schools use it wisely

gateway b1 workbook answers unit 3 city to city answers - Apr 04 2022

web 3813 gateway b1 workbook answers unit 3 city to city new 5294 kb s 6304 gateway b1 unit 3 city to city set 1 flashcards quizlet start studying gateway b1 unit 3 city to city set 1 learn vocabulary terms and more with flashcards games and other study tools

gateway b1 unit 3 reading worksheet liveworksheets com - Sep 09 2022

web gateway b1 unit 3 reading gateway b1 unit 3 reading id 3406868 language english school subject english as a second language esl grade level intermediate age 13 16 main content reading other contents reading

b1 unit 3 test answer key higher pdf scribd - Aug 20 2023

web b1 unit 3 test answer key higher free download as pdf file pdf text file txt or read online for free te

gateway b1 workbook unit 1 by macmillan education issuu - Oct 10 2022

web jan 25 2011 key features of the workbook include b1 workbook gateway is a multi level course for students working towards their school leaving examinations

gateway b1 workbook answers unit 3 download only - Apr 16 2023

web gateway b1 workbook answers unit 3 network 1 student book with online practice jul 05 2020 student book one page one lesson one outcome approach ensures achievement student book your network activities help students to practice communication in class and online student book get connected lessons build social media

gateway b1 student s book unit 3 flashcards quizlet - Jan 13 2023

web start studying gateway b1 student s book unit 3 learn vocabulary terms and more with flashcards games and other study tools

b1 workbook answer key pdf scribd - Oct 22 2023

web students own answers 1 glad 2 hard 3 outgoing 4 bright 6 5 elderly 6 impatient a was b had c was waiting developing writing p10 d i decided e know f am always 1 unit 2 losing g had left h had put i was she has got new neighbours paying j ran k had gone l was 2 vocabulary p12 walking m saw n had missed a 5 b 3 c 1 d 4 e 2 1 o wasn t 1

download free gateway b1 workbook unit 3 - Jun 06 2022

web gateway b1 workbook unit 3 destination b1 aug 15 2021 destination b1 grammar and vocabulary has been designed for intermediate students at b1 threshold level on the council of europe s common european framework scale it is the ideal grammar and vocabulary practice booksfor all

gateway b1plus workbook answers b1 unit 1 vocabulary p 1 1 - Jun 18 2023

web gateway to exams units 3 reading p 1 it s cheap and has lots to offer for all kinds of visitors 2 1 c 2 g 3 a 4 e 5 d 6 b 7 f listening p 3 1 food plants crops 2 third 3 serious 4 wind 5 china 6 several reasons 7 stressed and weak use of english p 4 1 a 2 d 3 c 4 c 5 c 6 a 7 d 8 b 9 c 10 b 11 c 12 d writing p 5

gateway b1 workbook answer key gatewayonline marwell - Jul 19 2023

web feb 21 2013 developing vocabulary p31 1 1 first aid 2 waiting room 3 food poisoning 4 health centre 5 heart attack 6 pain killers 2 1 it s the help which you give to someone in an accident 2 it s the room where you wait to see the doctor 3 it s an illness that you get if you eat bad food 4 it s a building where you go when you are ill 5 it s a serious medical

my prince by alyloony goodreads - Aug 21 2023

web jan 1 2009 3 702 ratings97 reviews matapos sundan ni arcie morales ang kanyang best friend at first love sa prince academy doon niya narealize kung gaano kalayo ang mga mundo nila sa isa t isa

[psicom my prince new complete edition by alyloony](#) - May 18 2023

web title my prince new and complete author alyloony genre romance language filipino english pages 352 srp p150 book one matapos sundan ni arcie morales ang kanyang best friend at first love sa prince academy doon niya na realize kung gaano kalayo ang mundo nila sa isa t isa

[download my prince by alyloony tagalog full pdf nc tmuniverse](#) - Feb 15 2023

web download my prince by alyloony tagalog is available in our book collection an online access to it is set as public so you can download it instantly our book servers spans in multiple countries allowing you to get the most less latency time to

[my prince by alyloony wattpad](#) - Apr 17 2023

web this is my last year of being a highschool student my last year of suffering she s a commoner he s a prince she doesn t have a good highschool memory he doesn t have a good past they re strangers to each other until one day unexpected things happend characters arcie morales the commoner jiro festin the ultimate prince

[download my prince by alyloony tagalog pdf uniport edu](#) - Mar 04 2022

web jun 30 2023 download my prince by alyloony tagalog 1 9 downloaded from uniport edu ng on june 30 2023 by guest download my prince by alyloony tagalog this is likewise one of the factors by obtaining the soft documents of this download my prince by alyloony tagalog by online you might not require more time to spend to go to the

download my prince by alyloony tagalog pdf uniport edu - May 06 2022

web jun 17 2023 download my prince by alyloony tagalog but end up in infectious downloads rather than enjoying a good book with a cup of coffee in the afternoon instead they are facing with some malicious virus inside their computer download my prince by alyloony tagalog is available in our book collection an

[download read my prince 2000 by alyloony in pdf](#) - Oct 23 2023

web my prince 2000 by alyloony favorite author 4 54 of 5 votes 2 languge english genre romance review 1 simulat simula palang interested na ako when someone of my classmate recommend this to me i m not a kind of person na sobrang addict sa wattpad and the truth is eto din yung pinakaunang book sa wattpad na nabasa ko when i saw those

[download my prince by alyloony tagalog copy uniport edu](#) - Jul 08 2022

web oct 12 2023 download my prince by alyloony tagalog 2 14 downloaded from uniport edu ng on october 12 2023 by guest childhood games take on a whole new meaning bex knows more about what s going on with naomi than seems possible no one understands naomi like she does and now her twin sister needs help perfect for

[download my prince by alyloony tagalog download only](#) - Aug 09 2022

web my prince my boy is an urban fairytale of self discovery and friendship tyrone garrett wanted his life to change when he meets jamal a forest elf with a spotty memory tyrone s life

my prince by alyloony pdf scribd - Sep 22 2023

web my prince by alyloony pdf ren salvador is my childhood friend and he is also academy a school for elites siguro nagtataka kayo commoner na tulad ko eh nakapasok sa school na to every year kasi nagbibigay sila ng scholarship dun sa mga incoming freshman na mag take ng entrance exam sa kanila

download my prince by alyloony tagalog pdf uniport edu - Sep 10 2022

web may 6 2023 this download my prince by alyloony tagalog as one of the most on the go sellers here will definitely be accompanied by the best options to review practice makes perfect complete italian all in one marcel danesi 2019 12 27 get six

download my prince by alyloony tagalog pdf jmsseniorliving - Nov 12 2022

web download my prince by alyloony tagalog the lost prince my prince spin off reaching you my prince 1 a fairy tale return of the prince ellie and the prince the lost prince my prince someday my prince escaping the prince the prince my prince my prince will come the prince the phantom prince midnight prince stepping into the

download my prince by alyloony tagalog sloane howell pdf - Jun 19 2023

web download my prince by alyloony tagalog is simple in our digital library an online entry to it is set as public appropriately you can download it instantly our digital library saves in multipart countries allowing you to get the most less latency times to

my prince by alyloony introduction to literature studocu - Jan 14 2023

web activity 1 solving the earth s puzzle els module 12 ildp form henry mallari jordan shs gen thanks books the law on obligations and contracts hector s de leon hector m jr de leon income taxation rex banggawan auditing and assurance services an applied approach iris stuart principios de anatomia e fisiologia 12a ed

download my prince by alyloony tagalog api mobomo - Oct 11 2022

web download my prince by alyloony tagalog omb no edited by sylvia hallie practice makes perfect complete italian all in one first second get six times the language learning expertise for the price of one book more than two million students have turned to the practice makes perfect series for a trusted guide to help build their language learning

download my prince by alyloony tagalog pdf uniport edu - Apr 05 2022

web download my prince by alyloony tagalog 1 8 downloaded from uniport edu ng on june 5 2023 by guest download my prince by alyloony tagalog when somebody should go to the book stores search start by shop shelf by shelf it is in reality problematic this is why we give the book compilations in this website it will

download my prince by alyloony tagalog pdf pdf - Jun 07 2022

web sep 3 2023 you could purchase guide download my prince by alyloony tagalog pdf or acquire it as soon as feasible you

could speedily download this download my prince by alyloony tagalog pdf after getting deal so when you require the books swiftly you can straight get it its so unquestionably easy and hence fats isnt it you have to favor

download my prince by alyloony tagalog pdf - Mar 16 2023

web download my prince by alyloony tagalog someday my prince will come jun 27 2023 the charming story of a small town girl who dreams of finding love with a real life english prince and who s willing to go to hilarious lengths to make her fairy tale come true most young girls dream of becoming a princess

my prince by alyloony 546g02qg89n8 documents and e books - Dec 13 2022

web my prince by alyloony i did my best to be in that place and i succeeded but i didn t expect that things will turn the other way around i went to school that doesn t fit my lifestyle but i don t care all i want is to be with my love but i guess my decision is wrong very wrong i m currently studying in prince academy a school for elites

download my prince by alyloony tagalog pdf book - Jul 20 2023

web may 21 2023 if you ambition to download and install the download my prince by alyloony tagalog pdf it is very simple then before currently we extend the partner to purchase and create bargains to download and install download my prince by alyloony tagalog pdf suitably simple