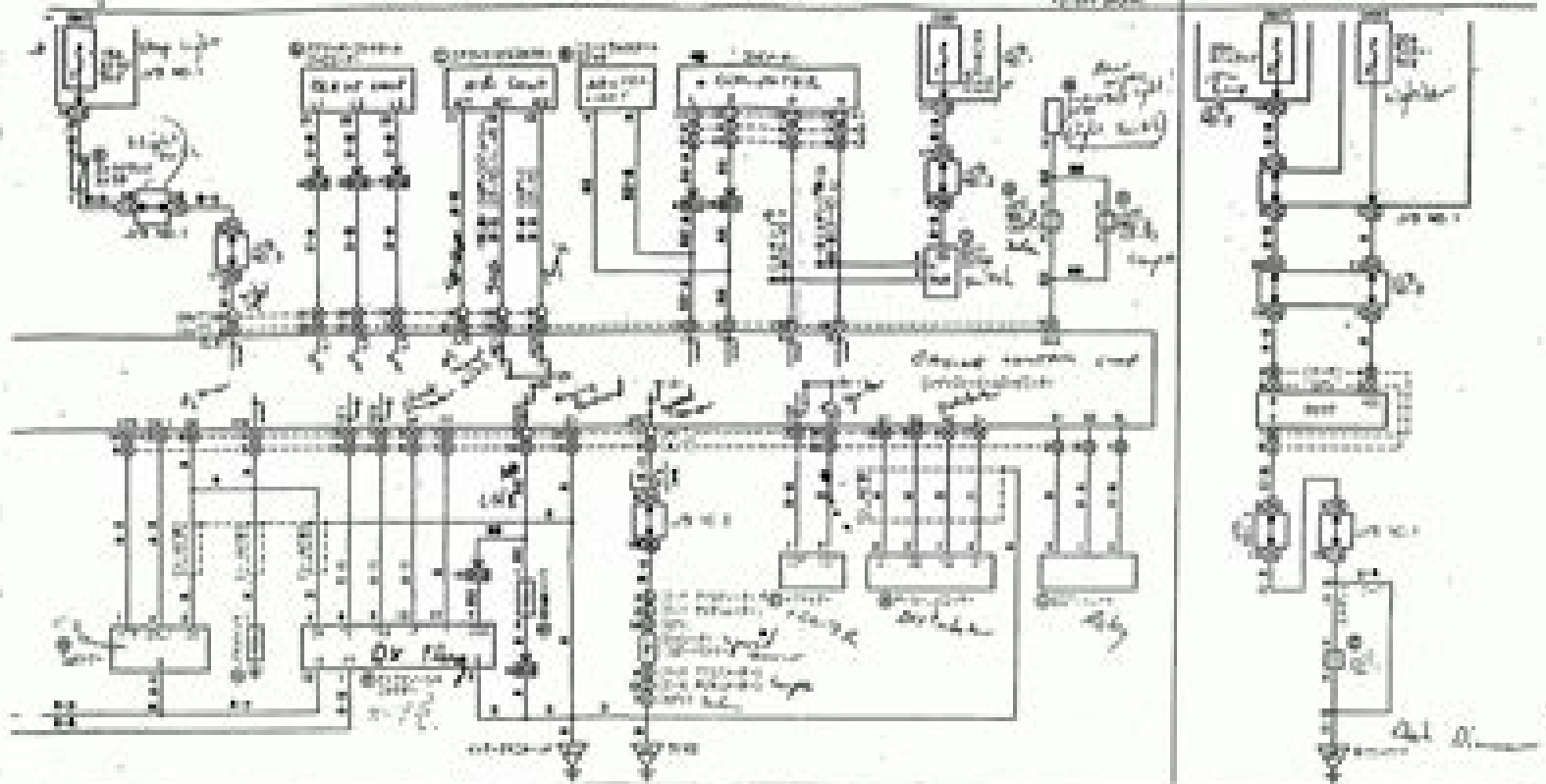
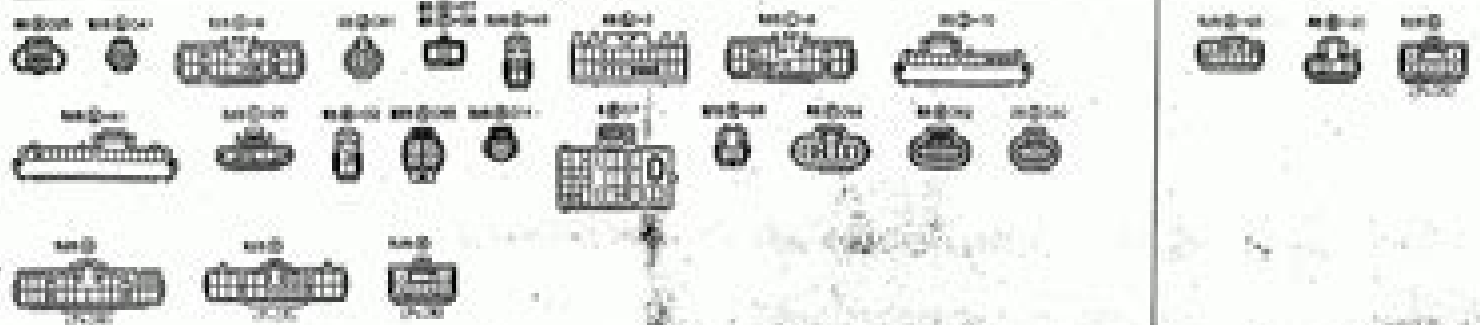


1997 J/70-F & ECT (4A-16)

20V



20V



1997 J/70-F & ECT (4A-16)

4efte Manual

Hollander, Hollander Company



4efte Manual:

Allis-Chalmers Shop Manual Ac-202 (I&T Shop Service Manuals/Ac-202) Penton Staff,2000-05-24 Model D 19 Models 180 185 190 190XT 200 7000 Models D 21 D 21 Series II Two Ten Two Twenty Models 7010 7020 7030 7040 7045 7050 7060 7080 Gas and diesel Diesel Toyota 4A-F, 4A-GE Engine Repair Manual , **Toyota 4A-FE, 4A-GE Engine Repair Manual** ,1994 **The Hollander Interchange Manual** Hollander,Hollander Company,2001-08-01 **2007 Import Diagnostic Trouble Code Manual (1994-2007)** Autodata,2006-11 Model year coverage for the Import DTC Manual is 1994 2007 The manuals features domestic diagnostic trouble codes and list the probable cause of each code The manual provides MIL Codes OBD Codes and Fault locations Code retrieval techniques are described using concise text and clear illustrations in separate sections for each model Instructions for retrieval and erasure of trouble codes are provided as well as data link connector locations All data is based on OEM information The information is available on CD CDs contain both English and Spanish languages **Today's Technician: Manual Transmissions and Transaxles Classroom Manual and Shop Manual** Jack Erjavec,Michael Ronan,Justin Blevins,2026-01-16 Gear up for success with Today s Technician Manual Transmissions and Transaxles Classroom Manual and Shop Manual 8th Edition This proven practical guide includes easy to understand information on a range of must know topics including transmission system and subsystem components shop safety basics dual clutch systems limited slip differential designs all wheel drive systems and six speed transmissions The text includes a Classroom Manual reviewing every topic for Manual Drive Train and Axles and a hands on Shop Manual with photos and detailed job sheets so you ll know exactly what to expect with performing service and repair tasks based on the latest MLR AST and MAST task lists The text as well as end of chapter questions prepare you for the ASE certification exam Chapter objectives are clearly laid out and match chapter headings for both the classroom and shop manuals **Ford Speed Manual** Bill Fisher,2007-05-01 Reprint of the original 1952 edition is still viable and is filled with useful information for today s enthusiast Because most Ford owners are interested in hopping up their engines for maximum performance with minimum expense This book provides basic information on the engines and what the engine is capable of doing **The Hollander Interchange Manual** Hollander,2000-10-01 *NATEF Standards Job Sheet - A3 Manual Transmissions* Jack Erjavec,Delmar Thomson Learning,Thomson Delmar Learning,2002-02-14 New from today s leading automotive education publisher each of our eight NATEF National Automotive Technicians Education Foundation Standards Job Sheets workbooks has been thoughtfully designed to assist users in gaining valuable job preparedness skills and mastering specific technical competencies required for success as a professional automotive technician Ideal for use as a stand alone item or with any comprehensive or topic specific automotive text the entire series is based on current NATEF standards and consists of individual books for each of the following areas Engine Repair Automatic Transmissions Transaxles Manual Drive Trains and Axles Suspension and Steering Brakes Electricity Electronics Heating and Air Conditioning and

Engine Performance Central to each manual are well designed and easy to read job sheets each of which contains specific performance based objectives lists of required tools and materials safety precautions plus step by step procedures to lead users to completion of shop activities As they work through each task users are encouraged to conduct tests record measurements make observations and employ critical thinking skills in order to draw conclusions Space for users to make notes concerning problems encountered while working as well as space for instructors to add comments and or grades is also included **Allis Chalmers Shop Manual Models B C CA G RC WC WD +** Editors of Haynes Manuals,1994-12-01 With a Haynes manual you can do it yourself from simple maintenance to basic repairs Haynes writes every book based on a complete teardown of the vehicle where we learn the best ways to do a job and that makes it quicker easier and cheaper for you Haynes books have clear instructions and hundreds of photographs that show each step Whether you are a beginner or a pro you can save big with a Haynes manual This manual features complete coverage for your Allis Chalmers Tractor Models B C CA G RC WC WD covering routine maintenance tune up procedures engine repair cooling and heating air conditioning fuel and exhaust emissions control ignition brakes suspension and steering electrical systems and wiring diagrams

Today's Technician: Manual Transmissions and Transaxles Classroom Manual and Shop Manual, Spiral bound Version Jack Erjavec,Michael Ronan,2015-01-02 Succeed in the course your future career and the ASE A3 Manual Drive Train and Axles certification test with TODAY S TECHNICIAN MANUAL TRANSMISSIONS TRANSAXLES 6e You ll find practical easy to understand coverage of a wide range of must know topics that adhere the 2013 ASE Education Foundation AST MAST program standards including dual clutch systems various limited slip differential designs six speed transmissions safe work practices and more Volume I the Classroom Manual covers every topic on the ASE A3 Manual Drive Train and Axles certification test while Volume II the Shop Manual includes job sheets that get you involved in performing hands on service and repair tasks In addition detailed full color photos show you what to expect when performing a procedure on the job Important Notice Media content referenced within the product description or the product text may not be available in the ebook version *Today's Technician: Manual Transmissions and Transaxles Shop Manual* Jack Erjavec,Michael Ronan,2015-01-02 Succeed in your future career and on the ASE A3 Manual Drive Train and Axles certification test with TODAY S TECHNICIAN MANUAL TRANSMISSIONS TRANSAXLES 6e You ll find practical easy to understand coverage of a wide range of must know topics that adhere the 2013 ASE Education Foundation AST MAST program standards including dual clutch systems various limited slip differential designs six speed transmissions safe work practices and more Volume I covers every topic on the ASE A3 Manual Drive Train and Axles certification test while Volume II includes job sheets that get you involved in performing hands on service and repair tasks In addition detailed full color photos show you what to expect when performing a procedure on the job *Hollander Interchange Manuals* Hollander,2004-09-01 Automotive parts interchange and identification information 2018 Toyota Camry Owner Manual Compatible with OEM Owners Manual,

Factory Glovebox Book Helming,2018-08-20 *Case International Shop Manuals 1190 1290 1390 1490+* Editors of Haynes Manuals,1987-11-01 With a Haynes manual you can do it yourself from simple maintenance to basic repairs Haynes writes every book based on a complete teardown of the vehicle where we learn the best ways to do a job and that makes it quicker easier and cheaper for you Haynes books have clear instructions and hundreds of photographs that show each step Whether you are a beginner or a pro you can save big with a Haynes manual This manual features complete coverage for your Case International Tractor Models 1190 1290 1390 or 1490 covering Routine maintenance Tune up procedures Engine repair Cooling and heating Air conditioning Fuel and exhaust Emissions control Ignition Brakes Suspension and steering Electrical systems and Wiring diagrams **Toyota 4A-GE Engine Emission Control Repair Manual** ,1987 White: Shop Manual W-201 (I & T Shop Service Manuals, W-201) Penton Staff,2000-05-24 Gas models 2 70 Diesel models 2 30 2 35 2 45 2 55 2 62 2 65 2 70 2 75 2 85 2 105 2 135 2 150 2 155 **White: Shop Manual W-201 (I & T Shop Service Manuals, W-201)**

Penton Staff,2000-05-24 Gas models 2 70 Diesel models 2 30 2 35 2 45 2 55 2 62 2 65 2 70 2 75 2 85 2 105 2 135 2 150 2 155

Turbo Hydra-Matic 350 Handbook Ron Sessions,1987-01-01 This clear concise text leads you through every step of the rebuild of your Turbo Hydra matic transmission from removal teardown and inspection to assembly and installation This book also covers transmission identification principles of operation and maintenance troubleshooting and in car repairs It includes heavy duty and high performance modifications coolers high stall converters shift programming kits internal beef ups and more More than 750 photos drawings and charts combine with text give you the most authoritative book of its kind

Allis-Chalmers Shop Manual AC20 AC17 AC25 & AC27 Editors of Haynes Manuals,1989-10-01 With a Haynes manual you can do it yourself from simple maintenance to basic repairs Haynes writes every book based on a complete teardown of the vehicle where we learn the best ways to do a job and that makes it quicker easier and cheaper for you Haynes books have clear instructions and hundreds of photographs that show each step Whether you are a beginner or a pro you can save big with a Haynes manual This manual features complete coverage for your Allis Chambers Tractor Model AC20 AC17 AC25 or AC27 covering routine maintenance tune up procedures engine repair cooling and heating air conditioning fuel and exhaust emissions control ignition brakes suspension and steering electrical systems and wiring diagrams

Getting the books **4efte Manual** now is not type of challenging means. You could not without help going in imitation of books accretion or library or borrowing from your associates to entrance them. This is an no question simple means to specifically acquire guide by on-line. This online proclamation 4efte Manual can be one of the options to accompany you in the same way as having additional time.

It will not waste your time. admit me, the e-book will unquestionably heavens you other thing to read. Just invest little become old to entry this on-line notice **4efte Manual** as with ease as review them wherever you are now.

<https://py.bijouxmedusa.com/files/book-search/default.aspx/Airbus%20A320%20Flight%20Crew%20Manual.pdf>

Table of Contents 4efte Manual

1. Understanding the eBook 4efte Manual
 - The Rise of Digital Reading 4efte Manual
 - Advantages of eBooks Over Traditional Books
2. Identifying 4efte Manual
 - Exploring Different Genres
 - Considering Fiction vs. Non-Fiction
 - Determining Your Reading Goals
3. Choosing the Right eBook Platform
 - Popular eBook Platforms
 - Features to Look for in an 4efte Manual
 - User-Friendly Interface
4. Exploring eBook Recommendations from 4efte Manual
 - Personalized Recommendations
 - 4efte Manual User Reviews and Ratings
 - 4efte Manual and Bestseller Lists
5. Accessing 4efte Manual Free and Paid eBooks

- 4efte Manual Public Domain eBooks
 - 4efte Manual eBook Subscription Services
 - 4efte Manual Budget-Friendly Options
6. Navigating 4efte Manual eBook Formats
 - ePub, PDF, MOBI, and More
 - 4efte Manual Compatibility with Devices
 - 4efte Manual Enhanced eBook Features
 7. Enhancing Your Reading Experience
 - Adjustable Fonts and Text Sizes of 4efte Manual
 - Highlighting and Note-Taking 4efte Manual
 - Interactive Elements 4efte Manual
 8. Staying Engaged with 4efte Manual
 - Joining Online Reading Communities
 - Participating in Virtual Book Clubs
 - Following Authors and Publishers 4efte Manual
 9. Balancing eBooks and Physical Books 4efte Manual
 - Benefits of a Digital Library
 - Creating a Diverse Reading Collection 4efte Manual
 10. Overcoming Reading Challenges
 - Dealing with Digital Eye Strain
 - Minimizing Distractions
 - Managing Screen Time
 11. Cultivating a Reading Routine 4efte Manual
 - Setting Reading Goals 4efte Manual
 - Carving Out Dedicated Reading Time
 12. Sourcing Reliable Information of 4efte Manual
 - Fact-Checking eBook Content of 4efte Manual
 - Distinguishing Credible Sources
 13. Promoting Lifelong Learning
 - Utilizing eBooks for Skill Development

- Exploring Educational eBooks
14. Embracing eBook Trends
- Integration of Multimedia Elements
 - Interactive and Gamified eBooks

4efte Manual Introduction

In this digital age, the convenience of accessing information at our fingertips has become a necessity. Whether its research papers, eBooks, or user manuals, PDF files have become the preferred format for sharing and reading documents. However, the cost associated with purchasing PDF files can sometimes be a barrier for many individuals and organizations. Thankfully, there are numerous websites and platforms that allow users to download free PDF files legally. In this article, we will explore some of the best platforms to download free PDFs. One of the most popular platforms to download free PDF files is Project Gutenberg. This online library offers over 60,000 free eBooks that are in the public domain. From classic literature to historical documents, Project Gutenberg provides a wide range of PDF files that can be downloaded and enjoyed on various devices. The website is user-friendly and allows users to search for specific titles or browse through different categories. Another reliable platform for downloading 4efte Manual free PDF files is Open Library. With its vast collection of over 1 million eBooks, Open Library has something for every reader. The website offers a seamless experience by providing options to borrow or download PDF files. Users simply need to create a free account to access this treasure trove of knowledge. Open Library also allows users to contribute by uploading and sharing their own PDF files, making it a collaborative platform for book enthusiasts. For those interested in academic resources, there are websites dedicated to providing free PDFs of research papers and scientific articles. One such website is Academia.edu, which allows researchers and scholars to share their work with a global audience. Users can download PDF files of research papers, theses, and dissertations covering a wide range of subjects. Academia.edu also provides a platform for discussions and networking within the academic community. When it comes to downloading 4efte Manual free PDF files of magazines, brochures, and catalogs, Issuu is a popular choice. This digital publishing platform hosts a vast collection of publications from around the world. Users can search for specific titles or explore various categories and genres. Issuu offers a seamless reading experience with its user-friendly interface and allows users to download PDF files for offline reading. Apart from dedicated platforms, search engines also play a crucial role in finding free PDF files. Google, for instance, has an advanced search feature that allows users to filter results by file type. By specifying the file type as "PDF," users can find websites that offer free PDF downloads on a specific topic. While downloading 4efte Manual free PDF files is convenient, its important to note that copyright laws must be respected. Always ensure that the PDF files you download are legally available for free. Many authors and publishers

voluntarily provide free PDF versions of their work, but its essential to be cautious and verify the authenticity of the source before downloading 4efte Manual. In conclusion, the internet offers numerous platforms and websites that allow users to download free PDF files legally. Whether its classic literature, research papers, or magazines, there is something for everyone. The platforms mentioned in this article, such as Project Gutenberg, Open Library, Academia.edu, and Issuu, provide access to a vast collection of PDF files. However, users should always be cautious and verify the legality of the source before downloading 4efte Manual any PDF files. With these platforms, the world of PDF downloads is just a click away.

FAQs About 4efte Manual Books

What is a 4efte Manual PDF? A PDF (Portable Document Format) is a file format developed by Adobe that preserves the layout and formatting of a document, regardless of the software, hardware, or operating system used to view or print it. **How do I create a 4efte Manual PDF?** There are several ways to create a PDF: Use software like Adobe Acrobat, Microsoft Word, or Google Docs, which often have built-in PDF creation tools. Print to PDF: Many applications and operating systems have a "Print to PDF" option that allows you to save a document as a PDF file instead of printing it on paper. Online converters: There are various online tools that can convert different file types to PDF. **How do I edit a 4efte Manual PDF?** Editing a PDF can be done with software like Adobe Acrobat, which allows direct editing of text, images, and other elements within the PDF. Some free tools, like PDFescape or Smallpdf, also offer basic editing capabilities. **How do I convert a 4efte Manual PDF to another file format?** There are multiple ways to convert a PDF to another format: Use online converters like Smallpdf, Zamzar, or Adobe Acrobats export feature to convert PDFs to formats like Word, Excel, JPEG, etc. Software like Adobe Acrobat, Microsoft Word, or other PDF editors may have options to export or save PDFs in different formats. **How do I password-protect a 4efte Manual PDF?** Most PDF editing software allows you to add password protection. In Adobe Acrobat, for instance, you can go to "File" -> "Properties" -> "Security" to set a password to restrict access or editing capabilities. Are there any free alternatives to Adobe Acrobat for working with PDFs? Yes, there are many free alternatives for working with PDFs, such as: LibreOffice: Offers PDF editing features. PDFsam: Allows splitting, merging, and editing PDFs. Foxit Reader: Provides basic PDF viewing and editing capabilities. How do I compress a PDF file? You can use online tools like Smallpdf, ILovePDF, or desktop software like Adobe Acrobat to compress PDF files without significant quality loss. Compression reduces the file size, making it easier to share and download. Can I fill out forms in a PDF file? Yes, most PDF viewers/editors like Adobe Acrobat, Preview (on Mac), or various online tools allow you to fill out forms in PDF files by selecting text fields and entering information. Are there any restrictions when working with PDFs? Some PDFs might have restrictions set by their creator, such as password protection, editing restrictions, or print restrictions. Breaking these

restrictions might require specific software or tools, which may or may not be legal depending on the circumstances and local laws.

Find 4efte Manual :

airbus a320 flight crew manual

algebra 1 slope intercept form answer sheet

aftermath the remaining 2 dj molles

algebra 1 chapter 8 worksheets

aenor norma une en iso 12100 2012

alberts molecular biology of the cell 5th edition

all rights reserved for you ebook sudeep nagarkar amazon

ahmed riahi belkaoui accounting theory 5th edition

affixal negation in english

aerospace solutions nordson

airbus a320 air conditioning system maintenance

airbus specifications abp pdfslibforme

al kitab al asasi a basic course for teaching arabic to non native speakers volume 1

aem ems v1 instructions lumweisrirygles wordpress

air pollution control 3rd edition

4efte Manual :

therapie tools kinder und jugendlichenpsychotherapie - Jan 12 2023

web eine psychotherapie mit kindern und jugendlichen muss sich am alter und dem entwicklungsstand der betroffenen orientieren dieser tatbestand bedeutet dass man vielfach die komplexität der anforderungen an die patienten und seine familie gezielt anpassen und in manchen fällen reduzieren muss das therapieziel muss der

[therapie tools kinder und jugendlichenpsychothera pdf](#) - Aug 07 2022

web mar 20 2023 we allow you this proper as skillfully as easy mannerism to get those all we manage to pay for therapie tools kinder und jugendlichenpsychothera and numerous book collections from fictions to scientific research in any way accompanied by them is this therapie tools kinder und jugendlichenpsychothera that can be your partner

therapie tools kinder und jugendlichenpsychotherapie mit e - Jun 17 2023

web therapie tools kinder und jugendlichenpsychotherapie mit e book inside und arbeitsmaterial by ulrike petermann franz petermann pressestimmen eine der wenigen materialsammlungen die sich explizit mit der behandlung von kindern und jugendlichen auseinandersetzt

therapie tools kinder und jugendlichenpsychotherapie beck - May 16 2023

web Über 100 attraktiv und zeitgemäß gestaltete arbeitsblätter die auf der jahrzehntelangen erfahrung des autorenteams beruhen erleichtern kinder und jugendlichenpsychotherapeut innen die arbeit in allen phasen der therapie bei der arbeit mit den kindern und jugendlichen ihren eltern und lehrer innen

therapie tools kinder und jugendlichenpsychothera - Sep 20 2023

web erleichtern kinder und jugendlichenpsychotherapeuten die arbeit in allen phasen der therapie bei der arbeit mit den kindern und jugendlichen ihren eltern und lehrern aus dem inhalt therapievorbereitung eingangsdagnostik ursachen und verhaltensanalyse aufklärung und psychoedukation vereinbarungen über die mitarbeit

therapie tools kinder und jugendlichenpsychothera - Mar 02 2022

web getting the books therapie tools kinder und jugendlichenpsychothera now is not type of inspiring means you could not lonesome going as soon as book collection or library or borrowing from your friends to contact them this is an completely easy means to specifically get guide by on line this online proclamation therapie tools kinder und

therapie tools kinder und jugendlichenpsychothera copy - Jul 06 2022

web systemische therapie mit kindern jugendlichen und ihren familien therapie tools kinder und jugendlichenpsychothera downloaded from web mei edu by guest kendal quincy aggressiv oppositionelles verhalten im kindesalter vandenhoeck ruprecht the monograph health and resilience is a collection of papers providing the reader with an

therapie tools kinder und jugendlichenpsychotherapie beltz - Oct 21 2023

web apr 3 2018 Über 100 attraktiv und zeitgemäß gestaltete arbeitsblätter die auf der jahrzehntelangen erfahrung des autorenteams beruhen erleichtern kinder und jugendlichenpsychotherapeut innen die arbeit in allen phasen der therapie bei der arbeit mit den kindern und jugendlichen ihren eltern und lehrer innen

therapy to improve children s mental health cdc - Sep 08 2022

web child and adolescent psychiatrist finder a research tool by the american academy of child and adolescent psychiatry aacap find a cognitive behavioral therapist a search tool by the association for behavioral and cognitive

pdf therapie tools kinder und jugendlichenpsychothera - Aug 19 2023

web therapie tools kinder und jugendlichenpsychotherapie feb 16 2023 eine gelungene psychotherapie mit kindern und jugendlichen braucht ein standardisiertes vorgehen trotzdem muss sie individuell auf den patienten und seine familie

abgestimmt sein

therapie tools kinder und jugendlichenpsychothera full pdf - Oct 09 2022

web pep tools für therapie coaching und pädagogik nov 20 2022 die prozess und embodimentfokussierte psychologie kurz pep genannt erfreut sich aufgrund ihrer hohen wirksamkeit zunehmender beliebtheit in therapie beratung coaching und pädagogik michael bohne der das verfahren auf der grundlage von klopftechniken entwickelt hat

pdf therapie tools kinder und jugendlichenpsychothera - Apr 15 2023

web kinder und jugendpsychiatrie und psychotherapie grundlagen zu gesunder und gestörter entwicklung klassifikation diagnostik sämtliche spezielle psychische störungen des kindes und jugendalters

therapy for kids types techniques where to find it medical news today - Nov 10 2022

web oct 19 2022 therapy can help them with a variety of issues this article covers different types of child therapy and child therapy techniques how to know if a child needs therapy how to explain therapy to a

therapie tools kinder und jugendlichenpsychothera - Mar 14 2023

web die psychoanalytische theorie und behandlung von kindern und jugendlichen ein ergänzt durch bindungstheorie und extremtraumatisierung sowie einem eigenen kapitel zu sexualität sexualisierung perversion und sexuellem missbrauch speziell auch bei menschen mit geistigen behinderungen

the 9 best online child therapists in 2022 psych central - Apr 03 2022

web feb 9 2022 best overall for kids amwell best for teenagers rethink my therapy best for a free consultation synergy etherapy best for unlimited messaging talkspace best for a free assessment doctor

therapy for kids 10 best online kids therapy programs healthline - Jun 05 2022

web jan 11 2023 best for teens teencounseling best app based service talkspace best for younger children amwell best for psychiatry mdlive best for choosing your child s therapist doctor on demand

therapie tools kinder und jugendlichenpsychothera book - Feb 13 2023

web therapie tools kinder und jugendlichenpsychothera grenzgänger jan 11 2021 viele psychosozial belastete junge menschen sind auf die unterstützung durch kinder und jugendhilfe und kinder und jugendpsychiatrie angewiesen in schwierigen fällen ist ein hand in hand arbeiten beider hilfesysteme besonders sinnvoll

therapie tools kinder und jugendlichenpsychotherapie mit - Jul 18 2023

web therapie tools kinder und jugendlichenpsychotherapie mit online materialien petermann ulrike petermann franz isbn 9783621278263 kostenloser versand für alle bücher mit versand und verkauf duch amazon

download solutions therapie tools kinder und jugendlichenpsychothera - May 04 2022

web therapie tools kinder und jugendlichenpsychothera early childhood education in germany jun 26 2020 this book draws

on the perspectives of leading german scholars to provide a systematic overview of early childhood education and care ecec in germany furthering international understanding of the complexities involved in ecec topics in

therapie tools kinder und jugendlichenpsychotherapie - Dec 11 2022

web alle arbeitsmaterialien aus dem therapie tools kinder und jugendlichenpsychotherapie sind hier zusammengestellt eine gelungene psychotherapie mit kindern und jugendlichen braucht ein standardisiertes vorgehen trotzdem muss sie individuell auf die betroffenen und ihre familien abgestimmt sein

my favorite mistake an a circuit novel edition open library - Mar 30 2022

web my favorite mistake an a circuit novel 0 ratings 0 want to read 0 currently reading 0 have read

my favorite mistake an a circuit novel the a circuit georgina - Aug 03 2022

web tommy zara and kate are all elite riders on the a circuit tommy the billionaire heiress is training a young horse to prove she can make horses a real career

my favourite mistake an a circuit novel an a circuit novel - Feb 09 2023

web my favourite mistake an a circuit novel an a circuit novel bloomberg georgina hapka catherine amazon com au books

amazon com customer reviews my favorite mistake an a circuit novel - Jan 08 2023

web find helpful customer reviews and review ratings for my favorite mistake an a circuit novel the a circuit at amazon com read honest and unbiased product reviews from our users

my favorite mistake an a circuit novel kindle edition - Oct 05 2022

web my favorite mistake an a circuit novel ebook bloomberg georgina hapka catherine amazon com au kindle store

my favorite mistake an a circuit novel bloomberg georgina - Jun 01 2022

web teen equestrians tommy kate and zara try to put aside thoughts of boyfriends and family issues as they continue to compete on the elite a circuit but

buy my favorite mistake book by georgina bloomberg - Jan 28 2022

web buy my favorite mistake paperback book by georgina bloomberg from as low as 3 98

my favorite mistake an a circuit novel circuit novels - Mar 10 2023

web may 10 2012 my favorite mistake an a circuit novel circuit novels bloomberg georgina hapka catherine amazon co uk books

my favorite mistake an a circuit novel google books - Apr 11 2023

web mar 13 2012 georgina bloomberg catherine hapka bloomsbury publishing usa mar 13 2012 juvenile fiction 256 pages tommy kate and zara are well established in the world of elite horse showing but

my favorite mistake an a circuit novel the a circuit georgina - Dec 27 2021

web jul 13 2021 my favorite mistake an a circuit novel the a circuit georgina bloomberg history of the forbidden city history of chinese civilization editorial board criminal investigation laboratory manual ronald f becker stamp collecting as a pastime paperback common by author edward james nankivell rick steves italy

my favorite mistake an a circuit novel the a circuit - Aug 15 2023

web feb 28 2012 tommy zara and kate are all elite riders on the a circuit tommy the billionaire heiress is training a young horse to prove she can make horses a real career but when her new beau alex convinces her to skip a horse show to party in the hamptons the results could be disastrous

my favorite mistake an a circuit novel amazon com - Jun 13 2023

web mar 13 2012 my favorite mistake an a circuit novel kindle edition by georgina bloomberg author catherine hapka author format kindle edition 4 3 4 3 out of 5 stars 61 ratings

back button worldcat org - Feb 26 2022

web choosing not to accept some categories of cookies may impact your experience using our website under each category below you can see a listing of cookies by clicking on the cookie details link when you have finished making your selections click on save my settings to consent to storing the cookies you selected to be active

my favorite mistake an a circuit novel circuit novels abebooks - Sep 04 2022

web my favorite mistake an a circuit novel circuit novels by bloomberg georgina hapka catherine at abebooks co uk isbn 10 1599906422 isbn 13 9781599906423 bloomsbury usa childrens 2012 softcover

my favorite mistake an a circuit novel scribd - Jul 02 2022

web mar 13 2012 tommy kate and zara are well established in the world of elite horse showing but being a pro in your sport doesn t mean you re a pro in your social life tommy the billionaire heiress is training a young horse to prove to her father that she can make horses a real career but when her new beau alex convinces her to skip a horse show

my favorite mistake ebook by georgina bloomberg rakuten kobo - Nov 06 2022

web mar 13 2017 read my favorite mistake an a circuit novel by georgina bloomberg available from rakuten kobo tommy kate and zara are well established in the world of elite horse showing but being a pro in your sport doesn t me

my favorite mistake an a circuit novel google play - May 12 2023

web my favorite mistake an a circuit novel ebook written by georgina bloomberg catherine hapka read this book using google play books app on your pc android ios devices download for offline reading highlight bookmark or take notes while you read my favorite mistake an a circuit novel

my favorite mistake an a circuit novel kindle edition - Dec 07 2022

web my favorite mistake an a circuit novel ebook bloomberg georgina hapka catherine amazon co uk kindle store

9781599906423 my favorite mistake an a circuit novel the - Apr 30 2022

web abebooks com my favorite mistake an a circuit novel the a circuit 9781599906423 by bloomberg georgina hapka catherine and a great selection of similar new used and collectible books available now at great prices

[my favorite mistake an a circuit novel google books](#) - Jul 14 2023

web feb 28 2012 tommy zara and kate are all elite riders on the a circuit tommy the billionaire heiress is training a young horse to prove she can make horses a real career but when her new beau alex

united states citizenship study guide and workbook barnes - Aug 11 2022

web nov 8 2017 this is an english persian study guide for the civics portion of the u s naturalization test there are 100 questions and answers in this quick reference book the guide also acts as a workbook to aid in studying the course content updated for 2017

[n400 citizenship test interview 2023 farsi](#) - May 20 2023

web us citizenship test interview with farsi language translation 2023 part 7 [فارسی زبان](#) [تست](#) [مصاحبه](#) [سوال](#) [پاسخ](#) [آموزش](#) [دانلود](#) [فایل](#) [دانلود](#) [فایل](#)

citizenship multilingual resources uscis - Dec 15 2022

web select one of the languages below to find these resources as you are preparing for u s citizenship certain applicants because of age and time as a lawful permanent resident are exempt from the english requirements for naturalization and may take the civics test in the language of their choice

multilingual resource center uscis - Nov 14 2022

web multilingual resource center this page offers information in several languages on a variety of naturalization related topics such as citizenship green cards employee verification biometrics how to report fraud and avoid immigration scams and humanitarian programs these resources are also available in american sign language braille and

[u s citizenship test study guide in farsi 100 civics questions](#) - Jun 21 2023

web jan 13 2022 u s citizenship civics questions and answers translated to farsi persian with pronunciations spelled with farsi letters perfect for older adults and seniors to study the civics questions with farsi persian translations and pronunciation in farsi alphabets

translated information [فارسی](#) farsi settlement org - Mar 06 2022

web the following resources are available in farsi most of them are in pdf format click on the language name to download the document in that language immigration citizenship detention review hearings [فارسی](#) orientation to ontario workbook [فارسی](#)

u s citizenship questions in persian farsi dari pashto part - Jul 22 2023

web u s citizenship questions interpreted in persian farsi dari and pashto languages [فارسی](#) [داری](#) [پشتو](#) [سوال](#) [پاسخ](#) [آموزش](#) [دانلود](#) [فایل](#)

the naturalization interview and test uscis

the naturalization interview and test uscis - Jan 04 2022

web aug 25 2023 the naturalization interview and test during your naturalization interview a uscis officer will ask you questions about your application and background unless you qualify for an exemption you will also take a naturalization test which is made up of two components an english and civics test

fba us citizenship test 2023 4 app store - May 08 2022

web the fba us citizenship test 2023 app will help you prepare for your naturalization interview and pass the civics test the app is based on the latest version of the 100 question booklet preparing for naturalization test a pocket guide published by the u s department of homeland security we know that becoming a us citizen is an important

us citizenship - Mar 18 2023

web sep 22 2021 us citizenship test interview with farsi language translation 2023 part 5 practicing and preparing for the us citizenship test

web practicing and preparing for the us citizenship test

us citizenship questions and answers in farsi iibr org - Jul 10 2022

web perfect for older adults and seniors to study the civics questions with farsi persian translations and pronunciation in farsi alphabets large print link amazon com u s citizenship study guide farsi dp b09qjpfwv6 citizenship multilingual resources

citizenship test questions and answers in farsi language - Jun 09 2022

web u s citizenship test questions and answers boundless immigration questions and answers for the naturalization civics test 2021 update based on the 2008 test the u s citizenship exam which tests

u s citizenship test study guide in farsi 100 civics - Jan 16 2023

web jan 13 2022 0 ratings0 reviews u s citizenship civics questions and answers translated to farsi persian with pronunciations spelled with farsi letters perfect for older adults and seniors to study the civics questions with farsi persian translations and pronunciation in farsi alphabets large print

pdf read online u s citizenship test study guide in farsi - Oct 13 2022

web sep 9 2023 19 minutes ago pdf download u s citizenship test study guide in farsi 100 civics questions 2022 u s citizenship civics questions and answers translated to farsi persian with pronounci

us citizenship naturalization test 2018 farsi persian youtube - Sep 12 2022

web oct 14 2018 100 questions and answers for the naturalization civics test

[read book u s citizenship test study guide in farsi 100](#) - Apr 19 2023

web aug 3 2023 u s citizenship test study guide in farsi 100 civics questions 2022 show more show less epaper read download epaper no tags were found roninhoehiegordon you also want an epaper increase the reach of your titles yumpu automatically turns print pdfs into web optimized epapers that google loves

translation of civics questions and answers for the naturalization test - Apr 07 2022

web nov 9 2022 translations of the u s history government test questions the translations listed here were completed by uscis and community organizations throughout the country for translations completed by community organizations the organization s contact information is included on the translation please note that some information such as

آموزش آزمون شهروندی آمریکا در زبان فارسی **us citizenship** - Feb 17 2023

web us citizenship test interview with farsi language translation 2023 part 2 [آموزش آزمون شهروندی آمریکا در زبان فارسی](#) [آموزش آزمون شهروندی آمریکا در زبان فارسی](#) [آموزش آزمون شهروندی آمریکا در زبان فارسی](#) [آموزش آزمون شهروندی آمریکا در زبان فارسی](#) [آموزش آزمون شهروندی آمریکا در زبان فارسی](#)

e vize sıkça sorulan sorular - Feb 05 2022

web bilgi hangi ülke vatandaşları e vize alabilir aşağıdaki listede kayıtlı ülkelerin vatandaşları gerekli şartları karşılamaları koşuluyla e vize alabilirler gerekli şartlar anasayfa başvuru adımlarından sonra listelenmektedir