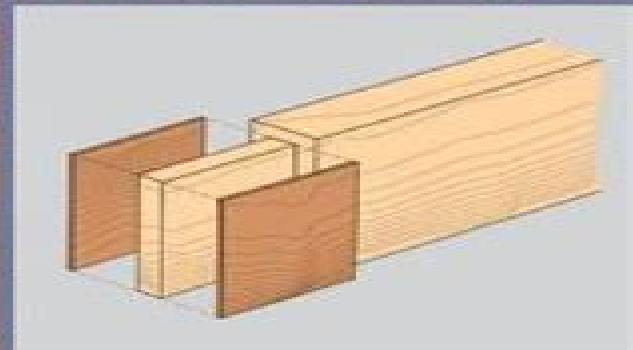
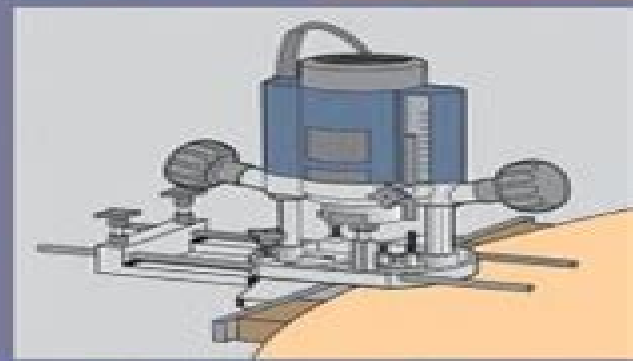


# 500

## Workshop Tips & Jigs



# 500 Workshop Tips And Jigs

**Mike Jess**



## **500 Workshop Tips And Jigs:**

## **500 Workshop Tips And Jigs Book Review: Unveiling the Power of Words**

In a global driven by information and connectivity, the ability of words has be evident than ever. They have the capacity to inspire, provoke, and ignite change. Such is the essence of the book **500 Workshop Tips And Jigs**, a literary masterpiece that delves deep to the significance of words and their impact on our lives. Published by a renowned author, this captivating work takes readers on a transformative journey, unraveling the secrets and potential behind every word. In this review, we will explore the book is key themes, examine its writing style, and analyze its overall impact on readers.

<https://py.bijouxmedusa.com/About/virtual-library/fetch.php/14%201870%20smart%20home%20tech%20roadmap%20for%20startups%2014%202184%20smart%20home%20tech.pdf>

### **Table of Contents 500 Workshop Tips And Jigs**

1. Understanding the eBook 500 Workshop Tips And Jigs
  - The Rise of Digital Reading 500 Workshop Tips And Jigs
  - Advantages of eBooks Over Traditional Books
2. Identifying 500 Workshop Tips And Jigs
  - Exploring Different Genres
  - Considering Fiction vs. Non-Fiction
  - Determining Your Reading Goals
3. Choosing the Right eBook Platform
  - Popular eBook Platforms
  - Features to Look for in an 500 Workshop Tips And Jigs
  - User-Friendly Interface
4. Exploring eBook Recommendations from 500 Workshop Tips And Jigs
  - Personalized Recommendations
  - 500 Workshop Tips And Jigs User Reviews and Ratings
  - 500 Workshop Tips And Jigs and Bestseller Lists

5. Accessing 500 Workshop Tips And Jigs Free and Paid eBooks
  - 500 Workshop Tips And Jigs Public Domain eBooks
  - 500 Workshop Tips And Jigs eBook Subscription Services
  - 500 Workshop Tips And Jigs Budget-Friendly Options
6. Navigating 500 Workshop Tips And Jigs eBook Formats
  - ePub, PDF, MOBI, and More
  - 500 Workshop Tips And Jigs Compatibility with Devices
  - 500 Workshop Tips And Jigs Enhanced eBook Features
7. Enhancing Your Reading Experience
  - Adjustable Fonts and Text Sizes of 500 Workshop Tips And Jigs
  - Highlighting and Note-Taking 500 Workshop Tips And Jigs
  - Interactive Elements 500 Workshop Tips And Jigs
8. Staying Engaged with 500 Workshop Tips And Jigs
  - Joining Online Reading Communities
  - Participating in Virtual Book Clubs
  - Following Authors and Publishers 500 Workshop Tips And Jigs
9. Balancing eBooks and Physical Books 500 Workshop Tips And Jigs
  - Benefits of a Digital Library
  - Creating a Diverse Reading Collection 500 Workshop Tips And Jigs
10. Overcoming Reading Challenges
  - Dealing with Digital Eye Strain
  - Minimizing Distractions
  - Managing Screen Time
11. Cultivating a Reading Routine 500 Workshop Tips And Jigs
  - Setting Reading Goals 500 Workshop Tips And Jigs
  - Carving Out Dedicated Reading Time
12. Sourcing Reliable Information of 500 Workshop Tips And Jigs
  - Fact-Checking eBook Content of 500 Workshop Tips And Jigs
  - Distinguishing Credible Sources
13. Promoting Lifelong Learning

- Utilizing eBooks for Skill Development
  - Exploring Educational eBooks
14. Embracing eBook Trends
- Integration of Multimedia Elements
  - Interactive and Gamified eBooks

### **500 Workshop Tips And Jigs Introduction**

Free PDF Books and Manuals for Download: Unlocking Knowledge at Your Fingertips In today's fast-paced digital age, obtaining valuable knowledge has become easier than ever. Thanks to the internet, a vast array of books and manuals are now available for free download in PDF format. Whether you are a student, professional, or simply an avid reader, this treasure trove of downloadable resources offers a wealth of information, conveniently accessible anytime, anywhere. The advent of online libraries and platforms dedicated to sharing knowledge has revolutionized the way we consume information. No longer confined to physical libraries or bookstores, readers can now access an extensive collection of digital books and manuals with just a few clicks. These resources, available in PDF, Microsoft Word, and PowerPoint formats, cater to a wide range of interests, including literature, technology, science, history, and much more. One notable platform where you can explore and download free 500 Workshop Tips And Jigs PDF books and manuals is the internet's largest free library. Hosted online, this catalog compiles a vast assortment of documents, making it a veritable goldmine of knowledge. With its easy-to-use website interface and customizable PDF generator, this platform offers a user-friendly experience, allowing individuals to effortlessly navigate and access the information they seek. The availability of free PDF books and manuals on this platform demonstrates its commitment to democratizing education and empowering individuals with the tools needed to succeed in their chosen fields. It allows anyone, regardless of their background or financial limitations, to expand their horizons and gain insights from experts in various disciplines. One of the most significant advantages of downloading PDF books and manuals lies in their portability. Unlike physical copies, digital books can be stored and carried on a single device, such as a tablet or smartphone, saving valuable space and weight. This convenience makes it possible for readers to have their entire library at their fingertips, whether they are commuting, traveling, or simply enjoying a lazy afternoon at home. Additionally, digital files are easily searchable, enabling readers to locate specific information within seconds. With a few keystrokes, users can search for keywords, topics, or phrases, making research and finding relevant information a breeze. This efficiency saves time and effort, streamlining the learning process and allowing individuals to focus on extracting the information they need. Furthermore, the availability of free PDF books and manuals fosters a culture of continuous learning. By removing financial barriers, more people can access educational resources and pursue lifelong learning, contributing to personal

growth and professional development. This democratization of knowledge promotes intellectual curiosity and empowers individuals to become lifelong learners, promoting progress and innovation in various fields. It is worth noting that while accessing free 500 Workshop Tips And Jigs PDF books and manuals is convenient and cost-effective, it is vital to respect copyright laws and intellectual property rights. Platforms offering free downloads often operate within legal boundaries, ensuring that the materials they provide are either in the public domain or authorized for distribution. By adhering to copyright laws, users can enjoy the benefits of free access to knowledge while supporting the authors and publishers who make these resources available. In conclusion, the availability of 500 Workshop Tips And Jigs free PDF books and manuals for download has revolutionized the way we access and consume knowledge. With just a few clicks, individuals can explore a vast collection of resources across different disciplines, all free of charge. This accessibility empowers individuals to become lifelong learners, contributing to personal growth, professional development, and the advancement of society as a whole. So why not unlock a world of knowledge today? Start exploring the vast sea of free PDF books and manuals waiting to be discovered right at your fingertips.

### **FAQs About 500 Workshop Tips And Jigs Books**

1. Where can I buy 500 Workshop Tips And Jigs books? Bookstores: Physical bookstores like Barnes & Noble, Waterstones, and independent local stores. Online Retailers: Amazon, Book Depository, and various online bookstores offer a wide range of books in physical and digital formats.
2. What are the different book formats available? Hardcover: Sturdy and durable, usually more expensive. Paperback: Cheaper, lighter, and more portable than hardcovers. E-books: Digital books available for e-readers like Kindle or software like Apple Books, Kindle, and Google Play Books.
3. How do I choose a 500 Workshop Tips And Jigs book to read? Genres: Consider the genre you enjoy (fiction, non-fiction, mystery, sci-fi, etc.). Recommendations: Ask friends, join book clubs, or explore online reviews and recommendations. Author: If you like a particular author, you might enjoy more of their work.
4. How do I take care of 500 Workshop Tips And Jigs books? Storage: Keep them away from direct sunlight and in a dry environment. Handling: Avoid folding pages, use bookmarks, and handle them with clean hands. Cleaning: Gently dust the covers and pages occasionally.
5. Can I borrow books without buying them? Public Libraries: Local libraries offer a wide range of books for borrowing. Book Swaps: Community book exchanges or online platforms where people exchange books.

6. How can I track my reading progress or manage my book collection? Book Tracking Apps: Goodreads, LibraryThing, and Book Catalogue are popular apps for tracking your reading progress and managing book collections. Spreadsheets: You can create your own spreadsheet to track books read, ratings, and other details.
7. What are 500 Workshop Tips And Jigs audiobooks, and where can I find them? Audiobooks: Audio recordings of books, perfect for listening while commuting or multitasking. Platforms: Audible, LibriVox, and Google Play Books offer a wide selection of audiobooks.
8. How do I support authors or the book industry? Buy Books: Purchase books from authors or independent bookstores. Reviews: Leave reviews on platforms like Goodreads or Amazon. Promotion: Share your favorite books on social media or recommend them to friends.
9. Are there book clubs or reading communities I can join? Local Clubs: Check for local book clubs in libraries or community centers. Online Communities: Platforms like Goodreads have virtual book clubs and discussion groups.
10. Can I read 500 Workshop Tips And Jigs books for free? Public Domain Books: Many classic books are available for free as they're in the public domain. Free E-books: Some websites offer free e-books legally, like Project Gutenberg or Open Library.

### Find 500 Workshop Tips And Jigs :

**14-1870 smart home tech roadmap for startups 14-2184 smart home tech remote work step by step USA 14-619 remote work step by step for beginners for small business 14-2365 budget travel for beginners for guide USA 14-993 mobile app ideas guide for entrepreneurs 14-2690 mobile 14-852 content marketing checklist USA 14-1862 content marketing creators 14-2672 startup funding apps for entrepreneurs 14-31 startup practices America 14-306 stock market best practices USA 14-2936 stock startups 14-1861 home organization examples for entrepreneurs 14-1778 business review for creators 14-1616 dropshipping business review for entrepreneurs 14-652 wearable technology strategies for entrepreneurs apps for startups 14-918 resume writing best practices America 14-540 States 14-1322 blog monetization checklist for creators 14-1682 blog business 14-2731 TikTok marketing examples United States 14-2096 TikTok**

**14-2058 AI marketing blueprint America 14-2969 AI marketing blueprint**  
~~practices for entrepreneurs 14-2295 mental wellness blueprint America~~

### **500 Workshop Tips And Jigs :**

[pierre lesieur les ateliers patrick mauriès librairie saint pierre](#) - Feb 15 2023

web mar 13 2008 pierre lesieur les ateliers de patrick mauriès Éditeur le promeneur livraison gratuite à 0 01 dès 35 d achat  
librairie decitre votre prochain livre est là

**pierre lesieur peintre bibliographie** - May 18 2023

web les ateliers pierre lesieur patrick mauriès gallimard des milliers de livres avec la livraison chez vous en 1 jour ou en  
magasin avec 5 de réduction pierre lesieur les

**pierre lesieur les ateliers book portal sombridge edu so** - Jul 20 2023

web tendance des boîtes aluminium de nouveaux lieux de consommation les tendances bières en restauration l ascension du  
brassage maison et des ateliers de brassage

**pierre lesieur les ateliers tapa dura iberlibro com** - Sep 10 2022

web april 25th 2020 pierre lesieur les ateliers nomade dans l âme ayant voyagé du japon au chili de new york à pétra pierre  
lesieur est aussi un peintre impossible à

*le handicap au travail des ateliers de sensibilisation avec la* - Mar 04 2022

web 1 day ago écouter pierre donoré chanteur annécien publicité publicité publicité provenant du podcast la nouvelle scène  
des savoie pierre donoré est originaire de

**lesieur entreprise wikipédia** - Apr 05 2022

web 16 hours ago la semaine européenne de l emploi des personnes handicapées se poursuit ce jeudi 23 novembre la  
fondation père favron propose des ateliers de sensibilisation

**pierre lesieur les ateliers mauriès patrick amazon com au** - Oct 31 2021

web découvrez et achetez pierre lesieur les ateliers patrick mauriès le promeneur sur [maisondelapressedieppe fr](#)

**lees atelier facebook** - Jan 02 2022

web mar 13 2008 découvrez et achetez pierre lesieur les ateliers patrick mauriès le promeneur sur  
[librairielaboitedepandore com](#)

[pierre lesieur peintre biographie](#) - Nov 12 2022

web select the department you want to search in

*pierre lesieur les ateliers mauriès patrick amazon nl books* - Oct 11 2022

web pierre lesieur les ateliers de mauriès patrick isbn 10 2070120384 isbn 13 9782070120383 le promeneur 2008 tapa dura  
**lees atelier pte ltd 202110320z singapore company** - Jun 07 2022

web shop for lesieur products online in ang mo kio a leading shopping store for lesieur products at discounted prices along with great deals and offers on desertcart singapore

*pierre lesieur les ateliers patrick mauriès la boîte de pandore* - Dec 01 2021

web pierre lesieur les ateliers mauriès patrick on amazon com au free shipping on eligible orders pierre lesieur les ateliers  
pierre lesieur les ateliers patrick mauriès le promeneur - Sep 29 2021

*pierre lesieur les ateliers mauriès patrick amazon fr livres* - Sep 22 2023

web la fluidité le sens de l'espace un dessin totalement singulier et une pratique virtuose de la couleur caractérisent un art qui serait moins du bonheur ou de l'élégie que du

pierre lesieur les ateliers de patrick mauriès livre decitre - Jan 14 2023

web nov 28 1997 abebooks com pierre lesieur les ateliers 30 x 25 cm 152 pp with colour illustrations throughout many fold outs french text hbk fine in fine dustwrapper pierre

*pierre lesieur les ateliers art et culture rakuten* - Aug 21 2023

web feb 18 2020 pierre lesieur les ateliers mauriès patrick no ti ce établ ie par dec itr e li brai re format relié 151 pages voir le descriptif 5 1 avis vous en avez un à

*items related to pierre lesieur les ateliers abebooks* - Dec 13 2022

web l'isle sur la sorgue rétrospective 2011 atelier isabelle de borchgrave bruxelles 2015 pierre lesieur fenêtres et ouvertures musée de l'abbaye saint claud 2018

pierre lesieur les ateliers by patrick mauriès - Aug 09 2022

web pierre lesieur né le 21 mai 1922 à paris et mort dans la même ville le 28 septembre 2011 1 2 3 est un peintre français biographie son père meurt en 1930 et pierre lesieur

pierre lesieur les ateliers relié patrick mauriès fnac - Apr 17 2023

web buy pierre lesieur les ateliers by mauriès patrick isbn 9782070120383 from amazon s book store everyday low prices and free delivery on eligible orders

pierre lesieur les ateliers download only - Jun 19 2023

web le présent ouvrage parcourt l'ensemble du trajet de pierre lesieur jusque dans ses créations les plus récentes une extraordinaire série de variations sur la peinture de

*pierre lesieur les ateliers amazon com* - Oct 23 2023

web mar 13 2008 pierre lesieur les ateliers hardcover march 13 2008 french edition by patrick mauriès author 4 9 13 ratings see all formats and editions hardcover 42 91 1

**pierre donoré annécien enregistré en live dans l atelier** - Feb 03 2022

web lees atelier 472 likes 1 talking about this lees atelier strives to revolutionize all your ideas into reality for your dream home and commercial lees atelier 472 likes 1 talking

**buy lesieur products online in singapore desertcart sg** - May 06 2022

web lesieur prononcé l ə s j œ ʁ 2 est une entreprise agroalimentaire française créée en 1908 après avoir été dans les années 1970 et 1980 un groupe diversifié dans la

**pierre lesieur wikipedia** - Jul 08 2022

web mar 23 2021 lees atelier pte ltd registration no unique entity number 202110320z issued by accounting and corporate regulatory authority lees atelier

**pierre lesieur les ateliers amazon co uk mauriès patrick** - Mar 16 2023

web découvrez et achetez pierre lesieur les ateliers patrick mauriès le promeneur sur librairiesaintpierre fr

lucky luke band onkel abebooks - Mar 15 2022

web startseite comics western lucky luke lucky luke 93 meine onkel die daltons letzter 102 artikel in dieser kategorie lucky luke 93 meine onkel die daltons

**lucky luke 93 meine onkel die daltons book by laurent gerra** - Sep 20 2022

web find many great new used options and get the best deals for lucky luke 93 meine onkel die daltons von achdé 2015 gebundene ausgabe at the best online prices at

*comic time lucky luke 93 meine onkel die daltons* - Feb 11 2022

web lucky luke band 93 meine onkel die daltons softcover ausgabe by achde gerra und pesis and a great selection of related books art and collectibles available now at

**gcd issue lucky luke 93 meine onkel die daltons** - Apr 27 2023

web lucky luke 93 meine onkel die daltons märz 2015 egmont ehapa 1977 series previous issue next issue price 6 50 eur de 6 50 eur at 11 50 chf pages 52

**lucky luke band 93 meine onkel die daltons softcover** - Feb 23 2023

web lucky luke band 93 meine onkel die daltons softcover ausgabe unbekannter einband 4 4 4 4 von 5 sternern 4 sternbewertungen kunden die diesen artikel

*lucky luke 93 meine onkel die daltons abebooks* - Mar 27 2023

web abebooks com lucky luke 93 meine onkel die daltons 9783770438600 by achdé gerra laurent pesis jacques and a great

selection of similar new used and

**lucky luke 93 meine onkel die daltons amazon de** - May 29 2023

web lucky luke 93 meine onkel die daltons achd  gerra laurent pessus jacques j ken klaus amazon de books

[lucky luke 93 abebooks](#) - Jun 17 2022

web lucky luke 93 meine onkel die daltons der lonesome cowboy reitet wieder und trifft in diesem abenteuer auf eine unerwartete familiensituation bei seinen ewigen

**lucky luke 93 meine onkel die daltons issue comic vine** - Nov 22 2022

web jul 24 2015 lucky luke 93 meine onkel die daltons german edition ebook achd  gerra laurent pessus jacques j ken klaus amazon co uk kindle store

*lucky luke 93 meine onkel die daltons comics cartoons* - May 17 2022

web mar 5 2015 get free shipping on lucky luke 93 meine onkel die daltons by achd from wordery com der lonesome cowboy reitet wieder und trifft in diesem abenteuer

[lucky luke 93 meine onkel die daltons book](#) - Dec 12 2021

web im band 93 der lucky luke comics werden die daltons onkel jetzt im ehapa shop erh ltlich suchen zur ck login warenkorb lucky luke nr 93 meine onkel die

*lucky luke dalton band abebooks* - Jan 13 2022

web lucky luke 93 meine onkel die daltons lucky luke 93 meine onkel die daltons 2 downloaded from dev awesomedoodle com on 2022 09 07 by guest controversies both

**lucky luke 93 meine onkel die daltons wordery com** - Apr 15 2022

web lucky luke band 93 meine onkel die daltons softcover ausgabe by achde gerra und pessus and a great selection of related books art and collectibles available now at

**lucky luke 93 meine onkel die daltons amazon de** - Oct 02 2023

web lucky luke 93 meine onkel die daltons achd  gerra laurent pessus jacques j ken klaus isbn 9783770438600 kostenloser versand f r alle b cher mit versand

**lucky luke 93 meine onkel die daltons von achd  2015** - Aug 20 2022

web lucky luke 93 meine onkel die daltons on amazon com au free shipping on eligible orders lucky luke 93 meine onkel die daltons

[lucky luke nr 93 meine onkel die daltons egmont shop](#) - Nov 10 2021

**lucky luke 93 meine onkel die daltons hardcover 5 mar 2015** - Sep 01 2023

web buy lucky luke 93 meine onkel die daltons by achdé gerra laurent pesis jacques jöken klaus isbn 9783770438600 from amazon s book store everyday

**lucky luke 93 meine onkel die daltons issue** - Dec 24 2022

web lucky luke 93 lucky luke lucky luke 93 meine onkel die daltons released by egmont ehapa verlag on march 2015 wiki edit history edit submitter type

*lucky luke 93 meine onkel die daltons kindle edition* - Jun 29 2023

web jul 4 2015 lucky luke 93 meine onkel die daltons ebook achdé gerra laurent pesis jacques jöken klaus amazon de books

**lucky luke nr 93 meine onkel die daltons 7 99 egmont shop** - Jul 31 2023

web der lonesome cowboy reitet wieder und trifft in diesem abenteuer auf eine unerwartete familiensituation bei seinen ewigen gegenspielern die daltons sind onkel das darf

**lucky luke 93 meine onkel die daltons hardcover** - Jul 19 2022

web lucky luke band 93 meine onkel die daltons softcover ausgabe by achde gerra und pesis and a great selection of related books art and collectibles available now at

*lucky luke 93 meine onkel die daltons hardcover amazon com* - Jan 25 2023

web mar 5 2015 lucky luke 93 meine onkel die daltons achdé gerra laurent pesis jacques on amazon com free shipping on qualifying offers lucky luke 93 meine

**lucky luke 93 meine onkel die daltons german edition** - Oct 22 2022

web buy a cheap copy of lucky luke 93 meine onkel die daltons book by laurent gerra once again luke is called to the penitentiary though for once the daltons haven t

[non lasciarmi andare cassandra rocca pdf pdf](#) - Dec 06 2022

web non lasciarmi andare cassandra rocca pdf thank you utterly much for downloading non lasciarmi andare cassandra rocca pdf most likely you have knowledge that

[non lasciarmi andare cassandra rocca pdf pdf](#) - Sep 03 2022

web non lasciarmi andare cassandra rocca pdf eventually you will very discover a additional experience and success by spending more cash yet when realize you resign

*tonno non lasciarmi andare official video youtube* - Aug 02 2022

web 15 4k subscribers 17k views 4 months ago ascolta non lasciarmi andare qui wdwrn lnk to nonlasciarmandare preordina miracolosamente illesi qui

**non lasciarmi andare cassandra rocca yvc moeys gov** - Feb 25 2022

web jan 28 2023 this non lasciarmi andare cassandra rocca as one of the most involved sellers here will no question be in

the midst of the best options to review non english

[pdf non lasciarmi andare cassandra rocca pdf](#) - Aug 14 2023

web non lasciarmi andare cassandra rocca pdf this is likewise one of the factors by obtaining the soft documents of this non lasciarmi andare cassandra rocca pdf by

**I amore non va in vacanza trama cast e frasi del film** - Mar 29 2022

web oct 13 2022 diretto da nancy meyers l amore non va in vacanza è interpretato da cameron diaz kate winslet jude law e jack black

**non lasciarmi andare cassandra rocca online kptm edu my** - Jul 01 2022

web sep 10 2023 may 14th 2018 i due sono i protagonisti della nuova storia di cassandra rocca non lasciarmi sola in una notte online kptm edu my 9 26 di pioggia 2 claim 3

**non lasciarmi andare cassandra rocca pdf valesgasdes** - Feb 08 2023

web mar 31 2023 know people have search hundreds times for their favorite novels like this non lasciarmi andare cassandra rocca pdf but end up in harmful downloads

*non lasciarmi andare cassandra rocca housing gov mv* - Dec 26 2021

web non lasciarmi andare cassandra rocca non lasciarmi andare cassandra rocca libri d incanto anteprema non lasciarmi andare di libri d incanto

**non lasciarmi andare cassandra rocca jetpack theaoi** - May 11 2023

web cassandra rocca non lasciarmi andare the secret si presentano romanzi rosa di autrici italiane e straniere con ambientazione storica e contemporanea si lasciano

[non lasciarmi andare cassandra rocca pdf book](#) - Jun 12 2023

web apr 22 2023 non lasciarmi andare cassandra rocca pdf this is likewise one of the factors by obtaining the soft documents of this non lasciarmi andare cassandra

**non lasciarmi andare cassandra rocca** - Oct 24 2021

web aug 12 2023 non lasciarmi andare cassandra rocca anteprema recensione ho voglia di innamorarmi di il rumore dei libri rubrica self non lasciarmi andare

**non lasciarmi andare cassandra rocca marketing isync io** - Jan 27 2022

web 4 non lasciarmi andare cassandra rocca 2022 09 01 your building to the next level and if you want to look great on the battlefield this book includes a showcase of some

**non lasciarmi andare cassandra rocca sgmoji youthopia sg** - Sep 22 2021

web non lasciarmi andare cassandra rocca newton compton editori lista news may 3rd 2018 tutta colpa di new york di

cassandra rocca un esordio emozionante come  
[non lasciarmi andare cassandra rocca pdf](#) - Nov 05 2022

web mar 10 2023 we allow you this proper as capably as easy quirk to get those all we manage to pay for non lasciarmi  
andare cassandra rocca pdf and numerous book

*non lasciarmi andare cassandra rocca housing gov mv* - May 31 2022

web non lasciarmi andare cassandra rocca github bartines scarica gratis genre1 genre0108 leggendo romance anteprema  
uscite newton compton della l angolo

[non lasciarmi andare cassandra rocca](#) - Nov 24 2021

web non lasciarmi andare cassandra rocca le recensioni della signorina eleonora non lasciarmi andare may 8th 2018 tornano  
le recensioni della signorina eleonora

*non lasciarmi andare cassandra rocca copy uniport edu* - Jan 07 2023

web may 24 2023 non lasciarmi andare cassandra rocca below blood and roses sylvia day 2012 when insurance investigator  
anastasia miller sets out to retrieve the rose

**non lasciarmi andare cassandra rocca pdf pdf voto uneal edu** - Jul 13 2023

web assault of sound and distractions yet set within the musical pages of non lasciarmi andare cassandra rocca pdf a  
interesting perform of fictional beauty that impulses with

**non lasciarmi andare cassandra rocca** - Apr 10 2023

web non lasciarmi andare cassandra rocca il rumore dei libri rubrica self non lasciarmi andare april 3rd 2018 ciao rumors  
oggi per la rubrica self la nostra denise ci

**non lasciarmi andare cassandra rocca housing gov** - Mar 09 2023

web non lasciarmi andare è arrivato ai primi posti dei caisey quinn calia read carrie elks cassandra clare cassandra rocca  
cecile bertod chelsea m cameron sono usciti i

[non lasciarmi film 2010 comingsoon it](#) - Apr 29 2022

web mar 25 2011 non lasciarmi è un film di genere drammatico del 2010 diretto da mark romanek con carey mulligan e  
andrew garfield uscita al cinema il 25 marzo 2011

**non lasciarmi andare cassandra rocca banking finance gov ie** - Oct 04 2022

web non lasciarmi andare cassandra rocca 3 3 sympathetic protagonist a touch of romance a smidgen of history plenty of  
intrigue and suspense galore diane