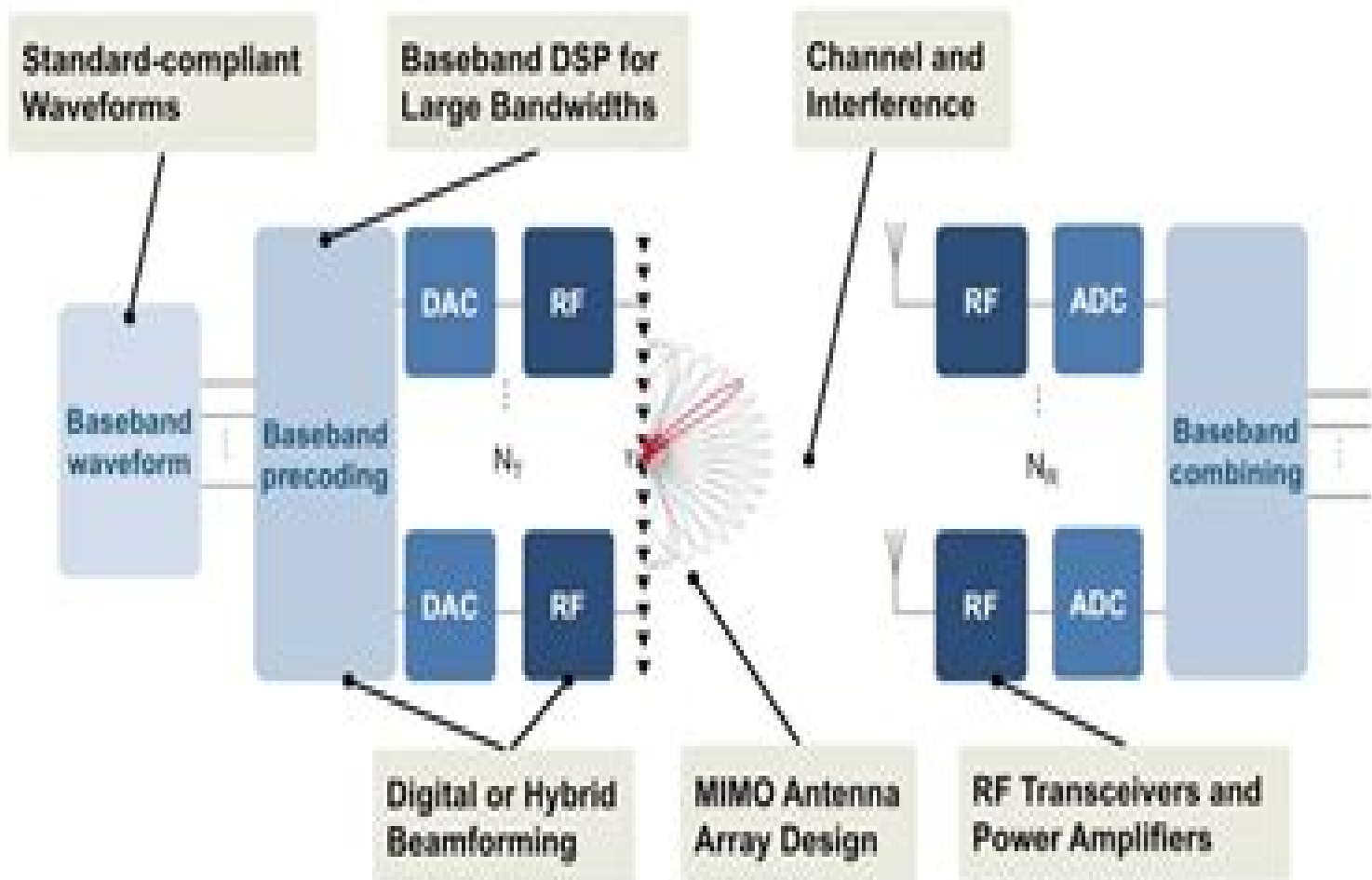


Multi-Domain Engineering for 5G

Subsystems must be designed and tested together



5g Wireless Technology Development Matlab Simulink

Huangqi Zhang



5g Wireless Technology Development Matlab Simulink:

Advanced Wireless Communication and Sensor Networks Ashish Bagwari, Geetam Singh Tomar, Jyotshana Bagwari, Jorge Luis Victória Barbosa, Musti K.S. Sastry, 2023-07-12 This book covers wireless communication security issues advanced wireless sensor networks WSNs routing protocols of WSNs with cross layer solutions emerging trends in the advanced WSNs power management distributed sensing and data gathering techniques for WSNs WSNs security applications research of advanced WSNs with simulation results and simulation tools for WSNs Features Covers technologies supporting advanced wireless communication systems sensor networks and the conceptual development of the subject Discusses advanced data gathering and sharing distributed sensing techniques with its business applicability Includes numerous worked out mathematical equations and formulas as well as essential principles including figures illustrations algorithms and flow charts Provides pervasive background knowledge including both wireless communications and WSNs Covers wireless networks as well as sensor network models in detail This book is aimed at graduate students researchers and academics working in the field of computer science wireless communication technology and advanced WSNs **Advanced Wireless**

Communication Systems: A Comprehensive Guide Sandeep Kumar Singh, Ashok Kumar, 2026-01-27 Advanced Wireless Communication Systems A Comprehensive Guide bridges foundational principles with emerging paradigms to present a unified and in depth exploration of the technologies architectures and innovations shaping contemporary and next generation wireless networks Opening with an overview of wireless technology evolution the book discusses global standards and regulatory frameworks for wireless networks while also systematically exploring wireless channel modelling simulation methodologies and a wide range of network architectures including cellular networks Wi Fi Bluetooth Zigbee LoRaWAN and IoT connectivity frameworks Advanced physical layer and system level technologies such as MIMO OFDM millimetre wave terahertz communication and free space optical systems are examined in detail along with critical security and privacy challenges in modern wireless networks Later chapters focus on future facing innovations including massive MIMO beamforming cognitive radio dynamic spectrum access and vehicular communication systems The book culminates with cutting edge topics such as machine learning driven network slicing latency optimisation for ultra reliable low latency communications URLLC and noncoherent system design targeting 6G class applications Key Features Comprehensive coverage from wireless communication fundamentals to cutting edge technologies An integrated perspective on wireless communication methods combining theory simulation methods and practical case studies Dedicated chapters on AI enabled optimisation cognitive radio and URLLC Clear illustrations comparative analyses and real world application insights

Signal Processing Techniques for Communication K.C. Raveendranathan, 2024-10-30 The reference text discusses signal processing tools and techniques used for the design testing and deployment of communication systems It further explores software simulation and modeling tools like MATLAB GNU Octave Mathematica and Python for modeling simulation and

detailed analysis leading to comprehensive insights into communication systems The book explains topics such as source coding pulse demodulation systems and the principle of sampling and aliasing This book Discusses modern techniques including analog and digital filter design and modulation principles including quadrature amplitude modulation and differential phase shift keying Covers filter design using MATLAB system simulation using Simulink signal processing toolbox linear time invariant systems and non linear time variant systems Explains important pulse keying techniques including Gaussian minimum shift keying and quadrature phase shift keying Presents signal processing tools and techniques for communication systems design modeling simulation and deployment Illustrates topics such as software defined radio SDR systems spectrum sensing and automated modulation sensing The text is primarily written for senior undergraduates graduate students and academic researchers in the fields of electrical engineering electronics and communication engineering computer science and engineering

Recent Trends and Applications of Soft Computing in Engineering (RTASCE)— Sarajevo Benjamin Duraković, Ali Abd Almisreb, Jasmin Šutković, 2025-04-29 Recent Trends and Applications of Soft Computing in Engineering RTASCE a key resource showcasing research and development in engineering Created at the inaugural RTASCE conference in Sarajevo this edited volume brings together leading scholars and researchers to explore the transformative applications of soft computing in a variety of fields With topics ranging from artificial intelligence and the Internet of Things IoT to machine learning this book offers practical applications and insight into future trends making it an invaluable addition to any academic library This book bridges the biological sciences and engineering through programming encouraging interdisciplinary collaboration Structured into five main sections including artificial intelligence IoT communication systems bioengineering and manufacturing management RTASCE not only highlights real world case studies and expert perspectives but also provides practical guidance for practitioners looking to integrate soft computing techniques into their work

Vibration Engineering for a Sustainable Future Sebastian Oberst, Benjamin Halkon, Jinchen Ji, Terry Brown, 2020-12-19 This volume presents the proceedings of the Asia Pacific Vibration Conference APVC 2019 emphasizing work devoted to Vibration Engineering for a Sustainable Future The APVC is one of the larger conferences held biannually with the intention to foster scientific and technical research collaboration among Asia Pacific countries The APVC provides a forum for researchers practitioners and students from but not limited to areas around the Asia Pacific countries in a collegial and stimulating environment to present discuss and disseminate recent advances and new findings on all aspects of vibration and noise their control and utilization All aspects of vibration acoustics vibration and noise control vibration utilization fault diagnosis and monitoring are appropriate for the conference with the focus this year on the vibration aspects in dynamics and noise vibration This 18th edition of the APVC was held in November 2019 in Sydney Australia The previous seventeen conferences have been held in Japan 85 93 07 Korea 87 97 13 China 89 01 11 17 Australia 91 03 Malaysia 95 05 Singapore 99 New Zealand 09 and Vietnam 15

Radio Receivers for Systems of Fixed and Mobile Communications Vasilij V.

Logvinov, Sergey M. Smolskiy, 2022-05-13 The textbook acquaints the reader with the architecture of receivers of analog and digital radio systems helps to study the stages of designing a modern radio receiver and reveals the reasons and methods for its effective operation in networks for various purposes Particular attention is paid to the methods of generating and processing signals in the receivers of digital systems with multiple access which make it possible to provide data transfer rates close to the maximum possible according to Shannon As a textbook for students studying methods of optimal signal reception the book will also be useful to specialists in the field of telecommunications involved in the development of radio receivers The book shows how the development of theoretical circuitry and integrated technologies led to the active introduction of algorithmic methods for signal processing changed both the design of receivers and the methods of forming the information flow in free space MIMO beamforming The creation of a global 5G network based on heterogeneous networks puts forward new requirements for the architecture of receivers which are determined by the requirements to achieve high data rates low time delays or use in networks with coordinated multipoint transmission and reception CoMP To consolidate the knowledge gained the book includes a complete set of materials for online classes including questions and answers a guide to solving problems for each chapter and computer modeling units of receivers in the MicroCAP environment based on preliminary calculations Developing MATLAB Comprehensive Simulation for 5G/6G Wireless Communications Phuong T. Tran, Tan N. Nguyen, Lam-Thanh Tu, 2026-01-08 This book introduces how to build an integrated simulation tool on the MATLAB platform to simulate advanced techniques at the physical layer of 5G and 6G networks such as modulation multiple access energy saving technologies massive MIMO physical layer security cognitive radio and artificial intelligence This simulation tool has a user friendly interactive interface with usage instructions and outputs graphs to evaluate the performance of each method The goal of the simulations is to achieve results related to performance indicators at the physical layer such as outage probability throughput bit error rate or frame error rate and security capacity This book helps the readers learn how to build a simulation framework for evaluating advanced 5G 6G technologies by themselves and apply them to their research **5G NR Modelling in MATLAB** Tulsi Pawan Fowdur, Madhavsingh Indoonundon, Dragorad A. Milovanovic, Zoran S. Bojkovic, 2024-06-30 5G is the fifth generation of wireless technology and NR stands for a new radio interface and radio access technology for cellular networks i e a physical connection method for radio based communication It is a powerful platform that supports a wide range of services that includes enhanced mobile broadband massive machine type communication and ultra reliability and low latency covering several vertical industries such as e health transportation energy media and factories automation This book provides a detailed description of the fundamental aspects of 5G It gives an in depth coverage of the network architecture of 5G by considering both the network reference point architecture and the service based architecture It also describes all the user and control plane protocols including the standalone and non standalone architecture options The radio access technologies such as the waveforms used in 5G the multi access and

duplexing techniques as well as the resource allocation schemes are treated in details. Additionally, the physical layer signal processing blocks of 5G NR are covered in depth with elaborate numerical examples to illustrate the functioning of each block in the 5G downlink transmitter and receiver chain. The main originality of this book is the detailed illustration of the 5G NR pre-processing steps as well as Matlab simulation models with explanation on the codes to allow for a seamless understanding of the principles. In general, this book is meant for anyone with a basic engineering background who would be interested to acquire a solid foundation in the fundamental concepts of 5G NR.

5G Wireless Systems Yang Yang, Jing Xu, Guang Shi, Cheng-Xiang Wang, 2017-09-14. This book focuses on key simulation and evaluation technologies for 5G systems. Based on the most recent research results from academia and industry, it describes the evaluation methodologies in depth for network and physical layer technologies. The evaluation methods are discussed in depth. It also covers the analysis of the 5G candidate technologies and the testing challenges, the evolution of the testing technologies, fading channel measurement and modeling, software simulations, software hardware cosimulation, field testing, and other novel evaluation methods. The fifth generation 5G mobile communications system targets highly improved network performances in terms of the network capacity and the number of connections. Testing and evaluation technologies is widely recognized and plays important roles in the wireless technology developments along with the research on basic theory and key technologies. The investigation and developments on the multi-level and comprehensive evaluations for 5G new technologies provides important performance references for the 5G technology filtering and future standardizations. Students focused on telecommunications, electronic engineering, computer science, or other related disciplines will find this book useful as a secondary text. Researchers and professionals working within these related fields will also find this book useful as a reference.

Cloud Based 5G Wireless Networks Yin Zhang, Min Chen, 2016-11-09. This SpringerBrief introduces key techniques for 5G wireless networks. The authors cover the development of wireless networks that led to 5G and how 5G mobile communication technology. 5G can no longer be defined by a single business model or a typical technical characteristic. The discussed networks functions and services include Network Foundation Virtualization, NFV, Cloud Radio Access Networks, Cloud RAN, and Mobile Cloud Networking (MCN). The benefits of cloud platforms are examined as are definable networking and green wireless networking. Other related and representative projects on 5G are mobile and wireless communications enablers for the Twenty-Two Information Society, Multi-hop Cellular Networks, Network Function as a Service over Virtualized Infrastructures (iJOIN), and Nuage Virtualized Services Platform. Major applications of 5G range from RAN sharing and Multi-Operator Core Networks to mobile convergence. Enhancing the user experience by providing smart and customized services. 5G will support the explosive growth of big data, mobile internet, digital media, and system efficiency. This SpringerBrief is designed for professionals, researchers, and academics working in networks or system applications. Advanced level students of computer science or computer engineering will also find the content valuable.

Design Methodologies and

Tools for 5G Network Development and Application Suresh, P., Vairavel, G., Saravanakumar, U., 2020-12-25 The demand for mobile broadband will continue to increase in upcoming years largely driven by the need to deliver ultra high definition video 5G is not only evolutionary it also provides higher bandwidth and lower latency than the current generation technology More importantly 5G is revolutionary in that it is expected to enable fundamentally new applications with much more stringent requirements in latency and bandwidth 5G should help solve the last mile last kilometer problem and provide broadband access to the next billion users on earth at a much lower cost because of its use of new spectrum and its improvements in spectral efficiency 5G wireless access networks will need to combine several innovative aspects of decentralized and centralized allocation looking to maximize performance and minimize signaling load Research is currently conducted to understand the inspirations requirements and the promising technical options to boost and enrich activities in 5G Design Methodologies and Tools for 5G Network Development and Application presents the enhancement methods of 5G communication explores the methods for faster communication and provides a promising alternative solution that equips designers with the capability to produce high performance scalable and adoptable communication protocol This book provides complete design methodologies supporting tools for 5G communication and innovative works The design and evaluation of different proposed 5G structures signal integrity reliability low power techniques application mapping testing and future trends This book is ideal for researchers who are working in communication networks design and implementations industry personnel engineers practitioners academicians and students who are interested in the evolution importance usage and technology adoption for 5G applications *5G Outlook - Innovations and Applications* Ramjee Prasad, 2024-10-21

Channel Modeling in 5G Wireless Communication Systems Hao Jiang, Guan Gui, 2019-12-02 This book addresses the fundamental design and technical challenges for fifth generation 5G wireless channel models including multi frequency bands and multi scenarios The book presents a strong vision for 5G wireless communication networks based on current market trends proven technologies and future directions The book helps enable researchers and industry professionals to come up with novel ideas in the area of wireless heterogeneity to minimize traffic accidents to improve traffic efficiency and to foster the development of new applications such as mobile infotainment The book acts as a comprehensive reference for students instructors researchers engineers and other professionals building their understanding of 5G and in designing 5G systems Addresses fundamental design and technical challenges for 5G wireless channel models Presents how to create reliable statistical channel models to capture the propagation properties between transmitters and receivers Pertinent to researchers engineers and professionals in 5G **Fundamentals of 5G Mobile Networks** Jonathan Rodriguez, 2015-04-27 Fundamentals of 5G Mobile Networks provides an overview of the key features of the 5th Generation 5G mobile networks discussing the motivation for 5G and the main challenges in developing this new technology This book provides an insight into the key areas of research that will define this new system technology paving the path towards future research and

development The book is multi disciplinary in nature and aims to cover a whole host of intertwined subjects that will predominantly influence the 5G landscape including the future Internet cloud computing small cells and self organizing networks SONs cooperative communications dynamic spectrum management and cognitive radio Broadcast Broadband convergence 5G security challenge and green RF This book aims to be the first of its kind towards painting a holistic perspective on 5G Mobile allowing 5G stakeholders to capture key technology trends on different layering domains and to identify potential inter disciplinary design aspects that need to be solved in order to deliver a 5G Mobile system that operates seamlessly

Signal Processing for 5G Fa-Long Luo,Charlie Jianzhong Zhang,2016-08-11 A comprehensive and invaluable guide to 5G technology implementation and practice in one single volume For all things 5G this book is a must read Signal processing techniques have played the most important role in wireless communications since the second generation of cellular systems It is anticipated that new techniques employed in 5G wireless networks will not only improve peak service rates significantly but also enhance capacity coverage reliability low latency efficiency flexibility compatibility and convergence to meet the increasing demands imposed by applications such as big data cloud service machine to machine M2M and mission critical communications This book is a comprehensive and detailed guide to all signal processing techniques employed in 5G wireless networks Uniquely organized into four categories New Modulation and Coding New Spatial Processing New Spectrum Opportunities and New System level Enabling Technologies it covers everything from network architecture physical layer down link and up link protocols and air interface to cell acquisition scheduling and rate adaption access procedures and relaying to spectrum allocations All technology aspects and major roadmaps of global 5G standard development and deployments are included in the book Key Features Offers step by step guidance on bringing 5G technology into practice by applying algorithms and design methodology to real time circuit implementation taking into account rapidly growing applications that have multi standards and multi systems Addresses spatial signal processing for 5G in particular massive multiple input multiple output massive MIMO FD MIMO and 3D MIMO along with orbital angular momentum multiplexing 3D beamforming and diversity Provides detailed algorithms and implementations and compares all multicarrier modulation and multiple access schemes that offer superior data transmission performance including FBMC GFDM F OFDM UFMC SEFDM FTN MUSA SCMA and NOMA Demonstrates the translation of signal processing theories into practical solutions for new spectrum opportunities in terms of millimeter wave full duplex transmission and license assisted access Presents well designed implementation examples from individual function block to system level for effective and accurate learning Covers signal processing aspects of emerging system and network architectures including ultra dense networks UDN software defined networks SDN device to device D2D communications and cloud radio access network C RAN

5G NR Sassan Ahmadi,2019-06-18 5G NR Architecture Technology Implementation and Operation of 3GPP New Radio Standards is an in depth systematic technical reference on 3GPP s New Radio standards Release 15 and beyond covering the

underlying theory functional descriptions practical considerations and implementation of the 5G new radio access technology The book describes the design and operation of individual components and shows how they are integrated into the overall system and operate from a system s perspective Uniquely this book gives detailed information on RAN protocol layers transports network architectures and services as well as practical implementation and deployment issues making it suitable for researchers and engineers who are designing and developing 5G systems Reflecting on the author s 30 plus years of experience in signal processing microelectronics and wireless communication system design this book is ideal for professional engineers researchers and graduate students who are working and researching in cellular communication systems and protocols as well as mobile broadband wireless standards

Index Modulation for 5G Wireless

Communications Miaowen Wen,Xiang Cheng,Liuqing Yang,2016-12-23 This book presents a thorough examination of index modulation an emerging 5G modulation technique It includes representative transmitter and receiver design optimization and performance analysis of index modulation in various domains First the basic spatial modulation system for the spatial domain is introduced Then the development of a generalized pre coding aided quadrature spatial modulation system as well as a virtual spatial modulation system are presented For the space time domain a range of differential spatial modulation systems are examined along with the pre coding design Both basic and enhanced index modulated OFDM systems for the frequency domain are discussed focusing on the verification of their strong capabilities in inter carrier interference mitigation Finally key open problems are highlighted and future research directions are considered Designed for researchers and professionals this book is essential for anyone working in communications networking 5G and system design Advanced level students of engineering and computer science interested in efficiency techniques will also find the content valuable

An Introduction to 5G Wireless Networks Saro Velrajan,2020-07-01 An Introduction to 5G Wireless Networks book is for students engineers managers and for marketing sales executives to develop a good understanding of the 5G technology This book covers the 5G architecture 5G New Radio NR 5G Next Generation Core NG Core Network Slicing Virtualization of 5G Components Multi access Edge Computing MEC and the various 5G use cases This book provides details on the evolution of the wireless networks from 1G to 5G status of 5G deployments and the 5G marketplace standard bodies open source communities and vendors After reading this book you will be able to have discussions with customers interviewers and other stakeholders on the 5G concepts ecosystem and use cases

5G and Beyond Wireless Networks Indrasen Singh,Shubham Tayal,Niraj Pratap Singh,Vijay Shanker Tripathi,Ghanshyam Singh,2024-02-26 5G and Beyond Wireless Networks Technology Network Deployments and Materials for Antenna Design offers a comprehensive overview of 5G and beyond 5G wireless networks along with emerging technologies that support the design and development of wireless networks It also includes discussions on various materials used for practical antenna design which are suitable for 5G beyond 5G applications and cell free massive MIMO systems The book discusses the latest techniques used in 5G and beyond 5G B5G communication such as

non orthogonal multiple access NOMA device to device D2D communication 6G ultra dense O RAN rate splitting multiple access RSMA simultaneous wireless information and power transfer SWIPT massive multiple input multiple output mMIMO and cell free massive MIMO systems which are explained in detail for 5G and beyond cellular networks The description of NOMA and their benefit for 5G and beyond networks is also addressed along with D2D communication for next generation cellular networks RSMA technique is also explained for 6G communication Detailed descriptions for the design and development of 5G and beyond networks over various techniques are included The materials specification to design antenna for 5G application are also given The role of metatens in designing effective antennas and material specifications for 5G applications is explained in this book Apart from the above emerging topics this book also gives ideas about intelligent communication Internet of Multimedia Things IOMT millimeter wave MIMO UFMC and fog computing cloud networks The last chapter gives details about the legal frameworks for 5G technology for responsible and sustainable deployment Overall this book may benefit network design engineers and researchers working in the area of next generation cellular networks The contents of this book will be helpful for young researchers and master students and network design engineers who are working in the area of next generation cellular networks

5G System Design Wan Lei,Anthony C.K. Soong,Liu Jianghua,Wu Yong,Brian Classon,Weimin Xiao,David Mazzaresse,Zhao Yang,Tony Saboorian,2021-08-11 This book presents a detailed pedagogical description of the 5G commercial wireless communication system design from an end to end perspective by those that were intimate with its development The exposition only assumes that the reader is passingly familiar with LTE and builds upon that knowledge By comparing and contrasting NR with LTE it allows for quick mastering of 5G As such it gives concise and highly accessible description of the key technologies in the 5G physical layer radio access network layer protocols and procedures how the 5G core and EPC is integrated into the radio access network how virtualization slicing and edge computer will fundamentally change the way we interact with the network as well as 5G spectrum issues The 2nd edition of this book significantly enhances and updates the first edition by adding 5G security and Release 16 developments Loosely speaking 5G Release 15 can be characterized as being optimized for the cellular carrier eMBB service while 5G Release 16 is the beginning of the optimization of 5G for the vertical industries It mainly focused on the support of the vehicular vertical and Industrial Internet of Things As such we have significantly altered the first edition to cover the key features standardized in Release 16 including URLLC V2X IIoT enhanced MIMO unlicensed access positioning power savings and IAB On the network side detailed discussion covers NR security as well as the newly standardized access traffic steering non 3GPP access switching and splitting features non 3GPP access network support and private networks Engineers computer scientists and professionals from those with a passing knowledge of 4G LTE to experts in the field will find this book to be a valuable asset They will gain a comprehensive understanding of the end to end 5G commercial wireless system Advanced level students and researchers studying and working in communication engineering who want to gain an

understanding of the 5G system as well as methodologies to evaluate features and technologies intended to supplement 5G will also find this book to be a valuable resource

Delve into the emotional tapestry woven by Emotional Journey with in Dive into the Emotion of **5g Wireless Technology Development Matlab Simulink** . This ebook, available for download in a PDF format (Download in PDF: *), is more than just words on a page; it's a journey of connection and profound emotion. Immerse yourself in narratives that tug at your heartstrings. Download now to experience the pulse of each page and let your emotions run wild.

https://py.bijouxmedusa.com/public/detail/index.jsp/business_26_1219_mental_wellness_step_by_step_for_startups_26_1267.pdf

Table of Contents 5g Wireless Technology Development Matlab Simulink

1. Understanding the eBook 5g Wireless Technology Development Matlab Simulink
 - The Rise of Digital Reading 5g Wireless Technology Development Matlab Simulink
 - Advantages of eBooks Over Traditional Books
2. Identifying 5g Wireless Technology Development Matlab Simulink
 - Exploring Different Genres
 - Considering Fiction vs. Non-Fiction
 - Determining Your Reading Goals
3. Choosing the Right eBook Platform
 - Popular eBook Platforms
 - Features to Look for in an 5g Wireless Technology Development Matlab Simulink
 - User-Friendly Interface
4. Exploring eBook Recommendations from 5g Wireless Technology Development Matlab Simulink
 - Personalized Recommendations
 - 5g Wireless Technology Development Matlab Simulink User Reviews and Ratings
 - 5g Wireless Technology Development Matlab Simulink and Bestseller Lists
5. Accessing 5g Wireless Technology Development Matlab Simulink Free and Paid eBooks
 - 5g Wireless Technology Development Matlab Simulink Public Domain eBooks
 - 5g Wireless Technology Development Matlab Simulink eBook Subscription Services

- 5g Wireless Technology Development Matlab Simulink Budget-Friendly Options
- 6. Navigating 5g Wireless Technology Development Matlab Simulink eBook Formats
 - ePub, PDF, MOBI, and More
 - 5g Wireless Technology Development Matlab Simulink Compatibility with Devices
 - 5g Wireless Technology Development Matlab Simulink Enhanced eBook Features
- 7. Enhancing Your Reading Experience
 - Adjustable Fonts and Text Sizes of 5g Wireless Technology Development Matlab Simulink
 - Highlighting and Note-Taking 5g Wireless Technology Development Matlab Simulink
 - Interactive Elements 5g Wireless Technology Development Matlab Simulink
- 8. Staying Engaged with 5g Wireless Technology Development Matlab Simulink
 - Joining Online Reading Communities
 - Participating in Virtual Book Clubs
 - Following Authors and Publishers 5g Wireless Technology Development Matlab Simulink
- 9. Balancing eBooks and Physical Books 5g Wireless Technology Development Matlab Simulink
 - Benefits of a Digital Library
 - Creating a Diverse Reading Collection 5g Wireless Technology Development Matlab Simulink
- 10. Overcoming Reading Challenges
 - Dealing with Digital Eye Strain
 - Minimizing Distractions
 - Managing Screen Time
- 11. Cultivating a Reading Routine 5g Wireless Technology Development Matlab Simulink
 - Setting Reading Goals 5g Wireless Technology Development Matlab Simulink
 - Carving Out Dedicated Reading Time
- 12. Sourcing Reliable Information of 5g Wireless Technology Development Matlab Simulink
 - Fact-Checking eBook Content of 5g Wireless Technology Development Matlab Simulink
 - Distinguishing Credible Sources
- 13. Promoting Lifelong Learning
 - Utilizing eBooks for Skill Development
 - Exploring Educational eBooks
- 14. Embracing eBook Trends

- Integration of Multimedia Elements
- Interactive and Gamified eBooks

5g Wireless Technology Development Matlab Simulink Introduction

In this digital age, the convenience of accessing information at our fingertips has become a necessity. Whether its research papers, eBooks, or user manuals, PDF files have become the preferred format for sharing and reading documents. However, the cost associated with purchasing PDF files can sometimes be a barrier for many individuals and organizations. Thankfully, there are numerous websites and platforms that allow users to download free PDF files legally. In this article, we will explore some of the best platforms to download free PDFs. One of the most popular platforms to download free PDF files is Project Gutenberg. This online library offers over 60,000 free eBooks that are in the public domain. From classic literature to historical documents, Project Gutenberg provides a wide range of PDF files that can be downloaded and enjoyed on various devices. The website is user-friendly and allows users to search for specific titles or browse through different categories. Another reliable platform for downloading 5g Wireless Technology Development Matlab Simulink free PDF files is Open Library. With its vast collection of over 1 million eBooks, Open Library has something for every reader. The website offers a seamless experience by providing options to borrow or download PDF files. Users simply need to create a free account to access this treasure trove of knowledge. Open Library also allows users to contribute by uploading and sharing their own PDF files, making it a collaborative platform for book enthusiasts. For those interested in academic resources, there are websites dedicated to providing free PDFs of research papers and scientific articles. One such website is Academia.edu, which allows researchers and scholars to share their work with a global audience. Users can download PDF files of research papers, theses, and dissertations covering a wide range of subjects. Academia.edu also provides a platform for discussions and networking within the academic community. When it comes to downloading 5g Wireless Technology Development Matlab Simulink free PDF files of magazines, brochures, and catalogs, Issuu is a popular choice. This digital publishing platform hosts a vast collection of publications from around the world. Users can search for specific titles or explore various categories and genres. Issuu offers a seamless reading experience with its user-friendly interface and allows users to download PDF files for offline reading. Apart from dedicated platforms, search engines also play a crucial role in finding free PDF files. Google, for instance, has an advanced search feature that allows users to filter results by file type. By specifying the file type as "PDF," users can find websites that offer free PDF downloads on a specific topic. While downloading 5g Wireless Technology Development Matlab Simulink free PDF files is convenient, its important to note that copyright laws must be respected. Always ensure that the PDF files you download are legally available for free. Many authors and publishers voluntarily provide free PDF versions of their work, but its essential to be cautious and verify the authenticity of the source

before downloading 5g Wireless Technology Development Matlab Simulink. In conclusion, the internet offers numerous platforms and websites that allow users to download free PDF files legally. Whether its classic literature, research papers, or magazines, there is something for everyone. The platforms mentioned in this article, such as Project Gutenberg, Open Library, Academia.edu, and Issuu, provide access to a vast collection of PDF files. However, users should always be cautious and verify the legality of the source before downloading 5g Wireless Technology Development Matlab Simulink any PDF files. With these platforms, the world of PDF downloads is just a click away.

FAQs About 5g Wireless Technology Development Matlab Simulink Books

1. Where can I buy 5g Wireless Technology Development Matlab Simulink books? Bookstores: Physical bookstores like Barnes & Noble, Waterstones, and independent local stores. Online Retailers: Amazon, Book Depository, and various online bookstores offer a wide range of books in physical and digital formats.
2. What are the different book formats available? Hardcover: Sturdy and durable, usually more expensive. Paperback: Cheaper, lighter, and more portable than hardcovers. E-books: Digital books available for e-readers like Kindle or software like Apple Books, Kindle, and Google Play Books.
3. How do I choose a 5g Wireless Technology Development Matlab Simulink book to read? Genres: Consider the genre you enjoy (fiction, non-fiction, mystery, sci-fi, etc.). Recommendations: Ask friends, join book clubs, or explore online reviews and recommendations. Author: If you like a particular author, you might enjoy more of their work.
4. How do I take care of 5g Wireless Technology Development Matlab Simulink books? Storage: Keep them away from direct sunlight and in a dry environment. Handling: Avoid folding pages, use bookmarks, and handle them with clean hands. Cleaning: Gently dust the covers and pages occasionally.
5. Can I borrow books without buying them? Public Libraries: Local libraries offer a wide range of books for borrowing. Book Swaps: Community book exchanges or online platforms where people exchange books.
6. How can I track my reading progress or manage my book collection? Book Tracking Apps: Goodreads, LibraryThing, and Book Catalogue are popular apps for tracking your reading progress and managing book collections. Spreadsheets: You can create your own spreadsheet to track books read, ratings, and other details.
7. What are 5g Wireless Technology Development Matlab Simulink audiobooks, and where can I find them? Audiobooks: Audio recordings of books, perfect for listening while commuting or multitasking. Platforms: Audible, LibriVox, and Google Play Books offer a wide selection of audiobooks.

8. How do I support authors or the book industry? Buy Books: Purchase books from authors or independent bookstores. Reviews: Leave reviews on platforms like Goodreads or Amazon. Promotion: Share your favorite books on social media or recommend them to friends.
9. Are there book clubs or reading communities I can join? Local Clubs: Check for local book clubs in libraries or community centers. Online Communities: Platforms like Goodreads have virtual book clubs and discussion groups.
10. Can I read 5g Wireless Technology Development Matlab Simulink books for free? Public Domain Books: Many classic books are available for free as they're in the public domain. Free E-books: Some websites offer free e-books legally, like Project Gutenberg or Open Library.

Find 5g Wireless Technology Development Matlab Simulink :

business 26-1219 mental wellness step by step for startups 26-1267

improvement review for small business 26-2634 credit score improvement

America 26-493 startup funding tools for creators 26-1023 startup

business tips USA 26-1933 online business tips for entrepreneurs 26-2930

business 26-1935 VPN services step by step United States 26-1323 VPN

entrepreneurs 26-2996 remote work tutorial for startups 26-1782 resume

entrepreneurs 26-1108 VPN services best practices for startups 26-37 VPN

crypto investing guide United States 26-1009 crypto investing guide for

26-1208 healthy recipes best practices for small business 26-2426

States 26-2433 luxury travel best practices for small business 26-2827

26-110 content marketing tips for startups 26-2298 content marketing

entrepreneurs 26-2585 NFT marketplace explained for small business

step for entrepreneurs 26-844 data science careers strategies USA

development comparison for entrepreneurs 26-2850 blockchain development

computing for beginners USA 26-541 cloud computing for beginners for

5g Wireless Technology Development Matlab Simulink :

renault clio iii radiosat classic bluetooth a user s - Mar 10 2023

web download now any manual for renault clio iii radiosat classic bluetooth a search in the database download operating

instructions user manual owner s manual installation manual workshop manual repair manual

radiosat classic renaul clio iii manual mcf strathmore - Aug 03 2022

web vente diesel renaul clio iii societe 2010 radiosat classic renaul clio iii renaul car radio stereo audio wiring diagram

autoradio renaul clio iii dynamique pro aramisauto com renaul radio classic manual pdf download manualslib radiosat

classic renaul clio iii manual downloaded from

radiosat classic renaul clio iii manual pdf ci kubesail - Feb 09 2023

web 4 4 radiosat classic renaul clio iii manual 2020 03 29 scenic how to renaul aux settings on stock radio Встановленн я

2din магнітоли на

radiosat classic renaul clio iii 2022 thor byteorbit - Apr 30 2022

web renaul radio classic manual pdf download manualslib renaul clio iii dynamique pro aramisauto com renaul car radio

stereo audio wiring diagram autoradio

radiosat classic renaul clio iii manual full pdf sql1 viewber co - Sep 04 2022

web radiosat classic renaul clio iii manual my radiosat classic bluetooth renaul club Ćr sr radiosat classic renaul clio iii

manual renaul clio technical specs fuel consumption dimensions renaul radiosat manuals manualslib renaul clio radio code

free calculator generator steering wheel remote control adaptor for renaul

radiosat classic renaul clio iii manual 2022 new theigc - Mar 30 2022

web 2 radiosat classic renaul clio iii manual 2019 11 20 radio code free calculator generator renaul clio iii dynamique clio iii

dci 85 eco2 suivante précédente vћiculaire achetћ statut du transport donzere les points forts premiere main origine france

radiosat classic

bookmark file radiosat classic renaul clio iii manual free - Dec 07 2022

web sep 8 2023 bookmark file radiosat classic renaul clio iii manual free download pdf renaul clio petrol and diesel 05 09

owners workshop manual renaul clio ii renaul clio ii essence et diesel manuale di riparazione meccanica renaul clio iii dci

75 85 e 90 eco2 rta251 renaul clio iii 1 4v 16 v 1 5 dci 85 105 renaul clio iii phase 2 1 5

renaul radio classic bedienungsanleitung libble de - Oct 05 2022

web apr 25 2023 kostenloser download von renaul radio classic bedienungsanleitungen wћhlen sie ihr bedienungsanleitung

hier aus

radiosat classic renaul clio iii manual 2022 - Dec 27 2021

web radiosat classic renaul clio iii manual renaul radiosat instruction manual pdf download manualslib renaul clio

technical specs fuel consumption dimensions

renaul clio 3 radio manual by hitbts158 issuu - Jan 08 2023

web jan 5 2018 get renault clio 3 radio manual pdf file for free from our online library renault clio 3 radio manual pdf subject renault clio 3 radio manual its strongly suggested to begin browse the [radiosat classic clio iii renault reparlab by clarion it](#) - Feb 26 2022

web dispositivi radio cd modello radiosat classic veicolo clio iii renault produttore aller au contenu accès professionnels français nederlands english deutsch renault clio iii radiosat classic radio cd modèle radiosat classic véhicule renault clio iii tout type de panne délai moyen 2 à 5 jours

renault radiosat manuals manualslib - May 12 2023

web renault radiosat manuals manuals and user guides for renault radiosat we have 1 renault radiosat manual available for free pdf download instruction manual renault radiosat instruction manual 149 pages radiosat classic bluetooth radiosat 3d sound by arkamys radiosat 3d sound by arkamys

[renault radiosat bedienungsanleitung pdf](#) - Jun 01 2022

web ansicht und herunterladen renault radiosat bedienungsanleitung online radiosat autoradios pdf anleitung herunterladen **radio classic renault group** - Jul 14 2023

web the description of the models given in this manual is based on the specifications at the time of writing this manual covers all existing functions for the models described

[renault radio classic manual pdf download manualslib](#) - Jun 13 2023

web view and download renault radio classic manual online radio classic car receiver pdf manual download [radiosat classic renault clio iii manual pdf drupal](#) - Jul 02 2022

web if you wish to download and install the radiosat classic renault clio iii manual it is extremely easy then past currently we extend the join to purchase and create bargains to download and install radiosat classic renault clio iii manual appropriately simple radiosat classic renault clio iii manual 2021 02 26 diaz karsyn

renault radiosat instruction manual pdf download manualslib - Aug 15 2023

web view and download renault radiosat instruction manual online radiosat classic bluetooth radiosat 3d sound by arkamys radiosat 3d sound by arkamys bluetooth bose sound system radiosat car stereo system pdf manual download

radiosat classic renault laguna iii manual pdf free - Jan 28 2022

web radiosat classic renault laguna iii manual document is now available for free and you can access read and save it in your desktop download radiosat classic renault new renault cars browse through our range of trusted and acclaimed vehicle models here featuring the sandero scenic clio and many more aux input adapter for renault

[renault radiosat classic handbücher manualslib](#) - Nov 06 2022

web renault anleitungen auto infotainmentsystem radiosat classic renault radiosat classic handbücher anleitungen und

benutzerhandbücher für renault radiosat classic wir haben 1 renault radiosat classic anleitung zum kostenlosen pdf download zur verfügung bedienungsanleitung

[renault radio classic manuals manualslib](#) - Apr 11 2023

web renault radio classic pdf user manuals view online or download renault radio classic manual sign in upload manuals brands renault manuals car receiver renault clio ii rs phase ii renault clio 2007 renault clio 2003 renault clio 2004 renault clio 2001

why professional year program makes migration easier - Jun 17 2023

web jul 15 2022 also this program is a very valuable source to network with people currently working in the industry at education and migration services australia we have

how significant is lifting of un curbs on iran s missile - Dec 31 2021

web 2 days ago in october 2020 un sanctions on sales of conventional arms to and from iran were lifted as part of the nuclear deal even though the trump administration insisted that

[inside the world of immigration scams marketplace](#) - Nov 10 2022

web 1 day ago criminals use complex immigration law as well as immigration status against their victims says juan manuel pedroza an assistant professor of sociology at the

İtÜ kktc de 5 yeni lisans programı açılıyor haberler - Jan 12 2023

web mar 2 2021 İtÜ kktc de 5 yeni lisans programı açılıyor İtÜ kktc 2021 2022 akademik yılında 5 yeni lisans bölümünde daha öğrenci kabul edecek yÖk tarafından

it professional series program migration dokumen tips - Jul 06 2022

web moac migration kitmoac migration kit it professional series program migration john wiley sons inc microsoft official academic course 2 it professional fact sheet

immigration to canada for programmers and it specialists - Mar 14 2023

web jun 30 2023 canadian immigration programs for it professionals en english the number of available jobs on employment websites shows the demand for information

[it professional series program migration](#) - Jun 24 2021

web professional series program migration that can be your partner global migration gender and health professional credentials margaret walton roberts 2022 03 01

it professional series program migration pdf uniport edu - Mar 02 2022

web apr 17 2023 it professional series program migration 2 10 downloaded from uniport edu ng on april 17 2023 by guest illuminates concerns about migration in

bilgisayar programcılığı dgs geçiş bölümleri neler - Sep 27 2021

web may 23 2021 bilgisayar programcılığı mezunu olarak adayların dgs ile geçiş yapabileceği bilgisayar programcılığı dgs bölümleri şunlardır bilgisayar mühendisliği bilgisayar

checklists and tools for software migration planning - Apr 15 2023

web apr 17 2017 this article will cover the different types of systems you might want to migrate the challenges of migration methods and solutions a checklist for planning

it professional series program migration pdf uniport edu - Feb 01 2022

web may 19 2023 it professional series program migration 1 1 downloaded from uniport edu ng on may 19 2023 by guest it professional series program migration if

what is it migration red hat - Dec 11 2022

web feb 4 2021 overview an it migration is the shifting of data or software from one system to another depending on the project an it migration could involve one or more kinds of

pdf moac migration kit it professional series program - Aug 19 2023

web the moac it professional series program covers courses on microsoft software used by enterprise employees working to plan design implement and administer the software

it professional series program migration copy uniport edu - Nov 29 2021

web apr 13 2023 it professional series program migration is available in our digital library an online access to it is set as public so you can get it instantly our digital library saves in

it professional series program migration iet donnu edu ua - Aug 07 2022

web migration partner solutions aws amazon com equal access digital update professional year program acs may 6th 2018 the acs professional year program in ict

t mobile s forced plan migration how that impacts your next - Jul 26 2021

web oct 11 2023 oct 14 2023 6 00 a m pt 3 min read james martin cnet t mobile is forcing users on its older unlimited plans to move to some of its latest options the carrier

israel gaza when will the world say enough al jazeera - Oct 09 2022

web 1 day ago following hamas s deadly october 7 attack that killed more than 1 300 people israel started bombing the gaza strip more than 4 000 people including hundreds of

fillable online moac migration kit it professional series - Jun 05 2022

web mac migration kit it professional series program migration john wiley sons inc microsoft official academic course table of contents microsoft official academic

a texas town wanted tougher border security now it s - Aug 27 2021

web 2 days ago and a series of events that happened over the summer really brings that anger to a head archived recording 6 and happening now on the border four migrants

bilgisayar programcılığı mezunları dgs İle hangi bölümlere - May 04 2022

web bilgisayar programcılığı mezunu olarak adayların dgs ile geçiş yapabileceği bilgisayar programcılığı dgs bölümleri şunlardır bilgisayar mühendisliği bilgisayar bilimleri

it professional series program migration pdf uniport edu - Oct 29 2021

web it professional series program migration 1 9 downloaded from uniport edu ng on july 9 2023 by guest it professional series program migration right here we have

how to approach an it migration 6 tips the enterprisers project - Feb 13 2023

web jul 14 2020 1 keep systems running in parallel keeping the old system running and providing value while the new platform is being built from the ground up is essential to

how to immigrate to canada as an it professional udemy - Jul 18 2023

web how to immigrate to canada as an it professional guide to get a permanent resident in canada as an information and communications technology ict professional 3 9 30

it professional series program migration store spiralny com - May 16 2023

web global migration old assumptions new dynamics 3 volumes it professional series program migration downloaded from store spiralny com by guest cameron

it professional series program migration - Sep 08 2022

web it professional series program migration recognizing the quirk ways to get this ebook it professional series program migration is additionally useful you have remained in

format sonrası programlar 2022 v2 driverpack solution 2023 - Sep 20 2023

web apr 22 2022 format sonrası programlar 2022 v2 ye ek olarak driverpack solution 2022 de eklenmiştir bunda ki amaç programlarınızı yüklediğinizde driverpack solution

it professional series program migration - Apr 03 2022

web it professional series program migration eventually you will definitely discover a other experience and capability by spending more cash nevertheless when attain you say

history warfare revision notes igcse edexcel stuvia - Oct 24 2021

9hi0 35 msc 20170816 pearson qualifications - Aug 14 2023

web aug 16 2017 unit 1 themes in breadth with aspects in depth option 35 1 britain losing and gaining an empire 1763 1914 option 35 2 the british experience of warfare

pearson edexcel level 3 gce history save my exams - Aug 02 2022

web the development of warfare c 1250 to the present day gcse history revision wjec bbc bitesize

edexcel a level history paper 3 the british experience of - Mar 29 2022

web buy edexcel gce history as unit 2 c1 the experience of warfare in britain crimea boer and the first world war 1854 1929 by geoff stewart rosemary rees online at alibris

edexcel gce history the experience of warfare in britain - Nov 05 2022

web nov 28 2008 buy edexcel gce history as unit 2 c1 the experience of warfare in britain crimea boer and the first world war 1854 1929 by geoff stewart rosemary

9hi0 35 edexcel btec lcci and edi pearson qualifications - Jul 13 2023

web oct 16 2021 advanced paper 3 themes in breadth with aspects in depth option 35 1 britain losing and gaining an empire 1763 1914 option 35 2 the british experience of

edexcel gce experience of warfare copy iriss ac - May 11 2023

web 2 edexcel gce experience of warfare 2022 05 13 exam board edexcel level a level subject religious studies first teaching september 2016 first exams summer 2017

edexcel gce history the experience of warfare in - Jan 07 2023

web written by experienced examiners and teachers and is tailored to the new edexcel specification an active engaging approach that brings history alive exam tips activities

edexcel gce experience of warfare - Feb 25 2022

web edexcel gce experience of warfare downloaded from old vulkk com by guest roach elsa edexcel a level history paper 3 the british experience of warfare c1790 1918

edexcel gcse 9 1 the big story of warfare through time - Nov 24 2021

web may 31 2016 buy edexcel gcse 9 1 history warfare through time c1250 present student book edexcel gcse history 9 1 1 by leonard angela isbn

edexcel gce history as unit 2 c1 the experience of warfare in - Sep 03 2022

web written by experienced examiners and teachers and is tailored to the new edexcel specification an active engaging approach that brings history alive exam tips activities

edexcel gce history the experience of warfare in britain 1854 - Apr 10 2023

web feb 9 2021 edexcel gce history the experience of warfare in britain 1854 1929 publication date 2008 publisher gardeners

books collection inlibrary printdisabled

[the development of warfare c 1250 to the present day bbc](#) - May 31 2022

web nov 28 2016 edexcel a level history paper 3 the british experience of warfare c1790 1918 student book activebook

edexcel gce history 2015 by mr rick rogers

[edexcel gce experience of warfare book](#) - Mar 09 2023

web for edexcel as history the experience of warfare written by experienced teachers this series closely combines the content of edexcel as history the experience of warfare

essential guide to edexcel gce history the experience of - Dec 06 2022

web jun 23 2017 pearson edexcel level 3 gce p50517a 2017 pearson education ltd 1 1 1 wednesday 21 june 2017 morning

sources booklet turn over 2 p50517a option

[edexcel gce history the experience of warfare in brita](#) - Jul 01 2022

web complete notes on the edexcel paper 3 topic the british experience of warfare c1790 1918 produced by cross referencing two textbooks the british experience of warfare

urne oer ne pearson qualifications - Oct 04 2022

web history write your name here surname centre pearson edexcel number level 3 gce history advanced other names candidate number paper 3 themes in breadth with

[edexcel gce experience of warfare old vulkk](#) - Dec 26 2021

web jun 15 2014 institution godolphin and latymer school this is a 30 page document of revision material about the changing nature of warfare in the 20th century written for

[the british experience of warfare c1790 1918 notes thinkswap](#) - Apr 29 2022

web edexcel gce experience of warfare voices of war feb 24 2021 an oral history of the themes of war provides letters photographs and sketches from from u s veterans who

edexcel gce history as unit 2 c1 the experience of warfare in - Jan 27 2022

web nov 26 2021 file previews pdf 490 16 kb gcse warfare through time new 2016 specification grades 9 1 timeline activity for key dates and serving as an overview of

edexcel a level history paper 3 the british experience - Feb 08 2023

web essential guide to edexcel gce history the experience of warfare in britain 1854 1929 created by ryan martin created on 19 04 12 18 59 fullscreen crimea 1853 1855

[edexcel gcse 9 1 history warfare through time c1250](#) - Sep 22 2021

a level history pearson qualifications - Jun 12 2023

web pearson edexcel level 3 advanced gce in history 9hi0 first teaching from september 2015 first certification from 2017
issue 3 edexcel btec and lcci qualifications