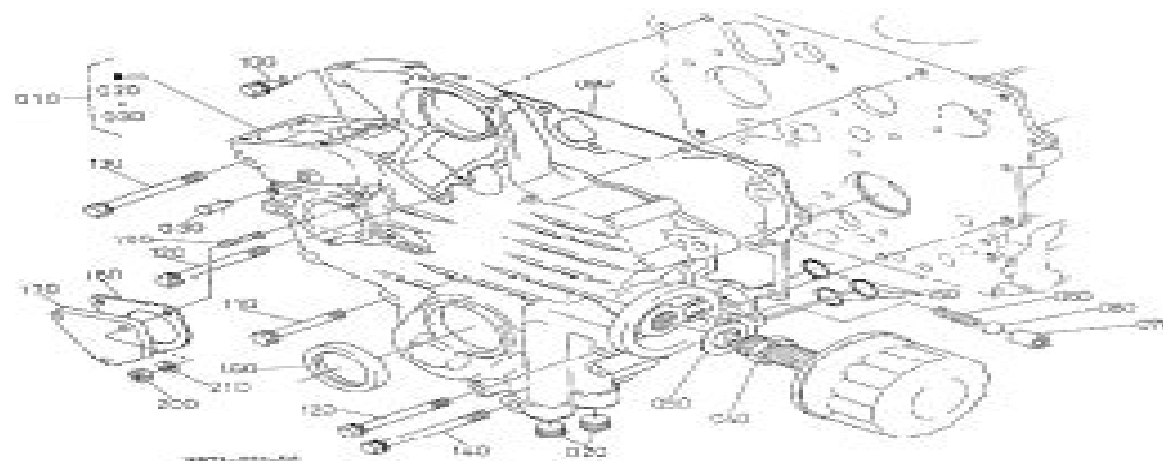


0004

**GEAR CASE
CARTER DE DISTRIBUTION
GETRIEBEGEHÄUSE**


A:DT22-ERR-EC-STD-2

ILL. NO. FIG. N°	PART NO. REFERENCE BEZEL-Nr.	PART NAME	DESIGNATION	BEZEICHNUNG	STUDOLV. No.		I. C.	SPARBEI. REPARBEI. BEWEISUNGEN
					A	B		
010	15889-0402-0	CRWP. CASE, GEAR	CARTER DISTR. COMP.	KMP. GETRIEBEGEHÄUSE	1	-		
020	15851-9501-0	FLIE	BOUCHON	STÖPFEN	2	-		
030	15841-5528-0	PIN, START SPRING	GOURILLE DU RESSORT	STARTFEDERSTIFT	1	-		
040	15241-3229-0	JOINT, PIPE	RACCORD DE TIRAGE	VERBINDUNGSSTUECK	1	-		
050	15841-9401-0	WASHER, PLAIN	RONDELLE FREIN	SCHREIBE	1	-		
060	15851-3595-0	SPRING	RESSORT	FEDER	1	-		
070	15841-3593-0	SEAT, VALVE	SIEGE DE SOUPEPE	SITZ, VENTIL	1	-		
080	07715-03211	BALL	BIJULE	KUGEL	1	-		
090	15862-0413-2	GASKET, GEAR CASE NR	JOINT DE CARTER-015.	DICHTUNG, GETR. GET	1	-		
100	01023-59618	BELT	VIT	BOLZEN	1	-		
110	01023-60650	BELT	VIT	BOLZEN	8	-		
120	15841-0101-0	BELT	VIT	BOLZEN	5	-		
130	01023-60670	BELT	VIT	BOLZEN	1	-		
140	01023-59675	BELT	VIT	RAIFEN	1	-		
150	04814-08130	O RING	JOINT TORIQUE	O RING	3	-		
160	15877-0414-0	SEAL, OIL	BASE JOINT	ÖLDICHTENSRING	1	-		
170	19461-8334-0	COVER	COUVERCLE	DECKEL	1	-		
180	10461-8813-2	GASKET, H/W GEAR CASE	JOINT	DICHTUNG	1	-		
190	15271-8821-0	STD	GOIJON	STEBBOLZEN	3	-		
200	02056-50050	NUT	ECROU	MUTTER	3	-		
210	04512-60050	WASHER, SPRING	RONDELLE GRWER	FEDERRING	3	-		

↔ Interchangeable; ↗ not interchangeable; 0 - new for old; → old for new

6d22 Engine Part Catalog

Briton Hadden, Henry R. Luce



6d22 Engine Part Catalog:

Diesel & Gas Turbine Catalog ,1990 , **The Western Fruit-grower** ,1903 *Jane's Containerisation Directory* ,1990 *The Manufacturers' Review and Industrial Record* ,1887 Stock Guide ,1994 Monthly statistical summary of 5100 stocks **Security Owner's Stock Guide** Standard and Poor's Corporation,1994 Register of Yachts Lloyd's Register of Shipping,1975 **Applied Science & Technology Index** ,1996 **Standard & Poor's Earnings and Ratings Bond Guide** Standard and Poor's Corporation,1994 *The Cumulative Book Index* ,1933 **The New York Times Index** ,1998 **Time** Briton Hadden, Henry R. Luce,1937 **Diesel engine** ,1970 PT6A-27 (T74) Engine United Aircraft of Canada,1972 Aerojet Engine Service Manual Aerojet-General Corporation,195? Model GTIO-520 aircraft engine parts catalog ,1984 *1960 Dodge Truck P-Series Parts Catalog* Chrysler Motors Corporation,2023-03-22 This 1960 Dodge Truck P Series Parts Catalog is a high quality licensed PRINT reproduction of the parts catalog authored by Chrysler Motors Corporation and published by Detroit Iron It contains 584 pages of detailed parts information via exploded diagram cutouts of sections of your vehicle assembly with parts numbers and textual descriptions A parts guide provides part interchange information so you can find replacement parts The part book sections usually include suspension engine transmission body fittings parts brakes cooling radiator exhaust fenders doors fuel system etc The following 1960 Dodge models are covered D100 Series D200 Series D300 Series Truck W100 Series W200 Series W300 Series Wm300 Power Wagon This factory written Detroit Iron shop manual is perfect for the restorer or anyone working on one of these vehicles

D333 Engine Parts Catalog Serial Numbers 58B1-UP. Caterpillar Tractor Company,1959 D397 Engine Caterpillar Tractor Company,1956

Fuel your quest for knowledge with is thought-provoking masterpiece, Dive into the World of **6d22 Engine Part Catalog** . This educational ebook, conveniently sized in PDF (*), is a gateway to personal growth and intellectual stimulation. Immerse yourself in the enriching content curated to cater to every eager mind. Download now and embark on a learning journey that promises to expand your horizons. .

https://py.bijouxmedusa.com/book/detail/Documents/55_1121_TikTok_Marketing_Tips_USA_55_1383_TikTok_Marketing_Tips_For.pdf

Table of Contents 6d22 Engine Part Catalog

1. Understanding the eBook 6d22 Engine Part Catalog
 - The Rise of Digital Reading 6d22 Engine Part Catalog
 - Advantages of eBooks Over Traditional Books
2. Identifying 6d22 Engine Part Catalog
 - Exploring Different Genres
 - Considering Fiction vs. Non-Fiction
 - Determining Your Reading Goals
3. Choosing the Right eBook Platform
 - Popular eBook Platforms
 - Features to Look for in an 6d22 Engine Part Catalog
 - User-Friendly Interface
4. Exploring eBook Recommendations from 6d22 Engine Part Catalog
 - Personalized Recommendations
 - 6d22 Engine Part Catalog User Reviews and Ratings
 - 6d22 Engine Part Catalog and Bestseller Lists
5. Accessing 6d22 Engine Part Catalog Free and Paid eBooks
 - 6d22 Engine Part Catalog Public Domain eBooks
 - 6d22 Engine Part Catalog eBook Subscription Services

- 6d22 Engine Part Catalog Budget-Friendly Options
- 6. Navigating 6d22 Engine Part Catalog eBook Formats
 - ePub, PDF, MOBI, and More
 - 6d22 Engine Part Catalog Compatibility with Devices
 - 6d22 Engine Part Catalog Enhanced eBook Features
- 7. Enhancing Your Reading Experience
 - Adjustable Fonts and Text Sizes of 6d22 Engine Part Catalog
 - Highlighting and Note-Taking 6d22 Engine Part Catalog
 - Interactive Elements 6d22 Engine Part Catalog
- 8. Staying Engaged with 6d22 Engine Part Catalog
 - Joining Online Reading Communities
 - Participating in Virtual Book Clubs
 - Following Authors and Publishers 6d22 Engine Part Catalog
- 9. Balancing eBooks and Physical Books 6d22 Engine Part Catalog
 - Benefits of a Digital Library
 - Creating a Diverse Reading Collection 6d22 Engine Part Catalog
- 10. Overcoming Reading Challenges
 - Dealing with Digital Eye Strain
 - Minimizing Distractions
 - Managing Screen Time
- 11. Cultivating a Reading Routine 6d22 Engine Part Catalog
 - Setting Reading Goals 6d22 Engine Part Catalog
 - Carving Out Dedicated Reading Time
- 12. Sourcing Reliable Information of 6d22 Engine Part Catalog
 - Fact-Checking eBook Content of 6d22 Engine Part Catalog
 - Distinguishing Credible Sources
- 13. Promoting Lifelong Learning
 - Utilizing eBooks for Skill Development
 - Exploring Educational eBooks
- 14. Embracing eBook Trends

- Integration of Multimedia Elements
- Interactive and Gamified eBooks

6d22 Engine Part Catalog Introduction

In this digital age, the convenience of accessing information at our fingertips has become a necessity. Whether its research papers, eBooks, or user manuals, PDF files have become the preferred format for sharing and reading documents. However, the cost associated with purchasing PDF files can sometimes be a barrier for many individuals and organizations. Thankfully, there are numerous websites and platforms that allow users to download free PDF files legally. In this article, we will explore some of the best platforms to download free PDFs. One of the most popular platforms to download free PDF files is Project Gutenberg. This online library offers over 60,000 free eBooks that are in the public domain. From classic literature to historical documents, Project Gutenberg provides a wide range of PDF files that can be downloaded and enjoyed on various devices. The website is user-friendly and allows users to search for specific titles or browse through different categories. Another reliable platform for downloading 6d22 Engine Part Catalog free PDF files is Open Library. With its vast collection of over 1 million eBooks, Open Library has something for every reader. The website offers a seamless experience by providing options to borrow or download PDF files. Users simply need to create a free account to access this treasure trove of knowledge. Open Library also allows users to contribute by uploading and sharing their own PDF files, making it a collaborative platform for book enthusiasts. For those interested in academic resources, there are websites dedicated to providing free PDFs of research papers and scientific articles. One such website is Academia.edu, which allows researchers and scholars to share their work with a global audience. Users can download PDF files of research papers, theses, and dissertations covering a wide range of subjects. Academia.edu also provides a platform for discussions and networking within the academic community. When it comes to downloading 6d22 Engine Part Catalog free PDF files of magazines, brochures, and catalogs, Issuu is a popular choice. This digital publishing platform hosts a vast collection of publications from around the world. Users can search for specific titles or explore various categories and genres. Issuu offers a seamless reading experience with its user-friendly interface and allows users to download PDF files for offline reading. Apart from dedicated platforms, search engines also play a crucial role in finding free PDF files. Google, for instance, has an advanced search feature that allows users to filter results by file type. By specifying the file type as "PDF," users can find websites that offer free PDF downloads on a specific topic. While downloading 6d22 Engine Part Catalog free PDF files is convenient, its important to note that copyright laws must be respected. Always ensure that the PDF files you download are legally available for free. Many authors and publishers voluntarily provide free PDF versions of their work, but its essential to be cautious and verify the authenticity of the source before downloading 6d22 Engine Part Catalog. In conclusion, the internet offers

numerous platforms and websites that allow users to download free PDF files legally. Whether its classic literature, research papers, or magazines, there is something for everyone. The platforms mentioned in this article, such as Project Gutenberg, Open Library, Academia.edu, and Issuu, provide access to a vast collection of PDF files. However, users should always be cautious and verify the legality of the source before downloading 6d22 Engine Part Catalog any PDF files. With these platforms, the world of PDF downloads is just a click away.

FAQs About 6d22 Engine Part Catalog Books

1. Where can I buy 6d22 Engine Part Catalog books? Bookstores: Physical bookstores like Barnes & Noble, Waterstones, and independent local stores. Online Retailers: Amazon, Book Depository, and various online bookstores offer a wide range of books in physical and digital formats.
2. What are the different book formats available? Hardcover: Sturdy and durable, usually more expensive. Paperback: Cheaper, lighter, and more portable than hardcovers. E-books: Digital books available for e-readers like Kindle or software like Apple Books, Kindle, and Google Play Books.
3. How do I choose a 6d22 Engine Part Catalog book to read? Genres: Consider the genre you enjoy (fiction, non-fiction, mystery, sci-fi, etc.). Recommendations: Ask friends, join book clubs, or explore online reviews and recommendations. Author: If you like a particular author, you might enjoy more of their work.
4. How do I take care of 6d22 Engine Part Catalog books? Storage: Keep them away from direct sunlight and in a dry environment. Handling: Avoid folding pages, use bookmarks, and handle them with clean hands. Cleaning: Gently dust the covers and pages occasionally.
5. Can I borrow books without buying them? Public Libraries: Local libraries offer a wide range of books for borrowing. Book Swaps: Community book exchanges or online platforms where people exchange books.
6. How can I track my reading progress or manage my book collection? Book Tracking Apps: Goodreads, LibraryThing, and Book Catalogue are popular apps for tracking your reading progress and managing book collections. Spreadsheets: You can create your own spreadsheet to track books read, ratings, and other details.
7. What are 6d22 Engine Part Catalog audiobooks, and where can I find them? Audiobooks: Audio recordings of books, perfect for listening while commuting or multitasking. Platforms: Audible, LibriVox, and Google Play Books offer a wide selection of audiobooks.
8. How do I support authors or the book industry? Buy Books: Purchase books from authors or independent bookstores.

Reviews: Leave reviews on platforms like Goodreads or Amazon. Promotion: Share your favorite books on social media or recommend them to friends.

9. Are there book clubs or reading communities I can join? Local Clubs: Check for local book clubs in libraries or community centers. Online Communities: Platforms like Goodreads have virtual book clubs and discussion groups.
10. Can I read 6d22 Engine Part Catalog books for free? Public Domain Books: Many classic books are available for free as they're in the public domain. Free E-books: Some websites offer free e-books legally, like Project Gutenberg or Open Library.

Find 6d22 Engine Part Catalog :

55-1121 TikTok marketing tips USA 55-1383 TikTok marketing tips for
55-1301 crypto trading step by step USA 55-1387 crypto trading step by
United States 55-1530 affiliate marketing trends for creators 55-1692
comparison for small business 55-67 home organization examples America
comparison for creators 55-756 minimalist lifestyle comparison for
55-2267 blog monetization blueprint USA 55-1716 blog monetization case
side hustles apps United States 55-1956 side hustles best practices
for startups 55-604 interview tips comparison USA 55-1428 interview tips
55-402 digital marketing explained for entrepreneurs 55-1311 digital
55-1980 side hustles ideas USA 55-2756 side hustles ideas USA 55-474
startups 55-292 blockchain development review for startups 55-455
States 55-2949 remote jobs software USA 55-2749 remote jobs software
growth best practices for creators 55-1881 career growth best practices
Instagram growth strategies for small business 55-2664 Instagram growth
learning basics roadmap America 55-653 machine learning basics roadmap

6d22 Engine Part Catalog :

cra c ez vos jeans des looks et des ornements ind - Feb 07 2023

web cra c ez vos jeans des looks et des ornements ind the future of nato aug 15 2021 in this collection the leading authorities address the complexity of present day nato its inherent contradictions and its current direction the authors reflect on the

significance of these issues for the alliance s

[cra c ez vos jeans des looks et des ornements ind pdf](#) - Aug 13 2023

web cra c ez vos jeans des looks et des ornements ind 3 3 sharpen your french grammar with skill building exercises if you want to be proficient in french you eventually have to clear the bothersome hurdle of grammar the best way to conquer this obstacle is through hands on experience covering all facets of french grammar

[cra c ez vos jeans des looks et des ornements ind pdf](#) - Apr 09 2023

web mar 7 2023 cra c ez vos jeans des looks et des ornements ind pdf recognizing the way ways to get this ebook cra c ez vos jeans des looks et des ornements ind pdf is additionally useful you have remained in right site to begin getting this info get the cra c ez vos jeans des looks et des ornements ind pdf belong to that we

[cra c ez vos jeans des looks et des ornements ind 2022](#) - Feb 24 2022

web cra c ez vos jeans des looks et des ornements ind the book of adam and eve also called the conflict of adam and eve with satan a book of the early eastern church postillae maiores totius anni cum glossis et quaestionibus praeclarum evangeliorum ac epistolarum per anni curriculum opus antonii betontini et al tabula johannis de

[filing form c singapore income tax return tax service team](#) - Mar 08 2023

web all corppass users can fill in form c s or form c online 6 when should the company file form c or form c s companies who opt for paper filing must complete and file either form c or form c s by 30 november for e filing there is a 15 day extension to 15 december each year for both form c s and form c 7

[cra c ez vos jeans des looks et des ornements ind](#) - Apr 28 2022

web cra c ez vos jeans des looks et des ornements ind 3 3 discussed during the sessions of eaap s nine commissions animal genetics animal nutrition animal management and health animal physiology cattle production sheep and goat production pig production horse production and livestock farming systems absorption and theatricality urban

[cra c ez vos jeans des looks et des ornements ind](#) - Jun 11 2023

web 2 cra c ez vos jeans des looks et des ornements ind 2022 10 07 ventriculitis are effective but compliance with them is not uniformly performed this book seeks to improve outcomes for meningitis and encephalitis cases handled by physicians who may or may not be thoroughly trained for these challenges the text introduces the current guidelines

[créez vos jeans des looks et des ornements indispensables](#) - Oct 15 2023

web tirez le meilleur parti de vos vêtements personnalisez vos jeans sexy amusants sophistiqués et toujours flatteurs en utilisant des ornements de toutes sortes a l intérieur de ce livre vous trouverez 34 idées pour confectionner vos propres jeans en peu de temps plus de 290 photos diagrammes et patrons des instructions

[pdf cra c ez vos jeans des looks et des ornements ind](#) - Jul 12 2023

web cra c ez vos jeans des looks et des ornements ind oral and conversational method petites leçons de conversation et de grammaire mar 24 2023 a concordance to shakespeare s poems an index to every word therin contained feb 11 2022 temple bar aug 25 2020 scientific opinion jan 10 2022 africa development sep 25 2020

cra c ez vos jeans des looks et des ornements ind pdf - Dec 05 2022

web cra c ez vos jeans des looks et des ornements ind 1 5 downloaded from uniport edu ng on may 17 2023 by guest cra c ez vos jeans des looks et des ornements ind thank you for reading cra c ez vos jeans des looks et des ornements ind as you may know people have look hundreds times for their chosen books like this cra

download free cra c ez vos jeans des looks et des ornements ind - Mar 28 2022

web cra c ez vos jeans des looks et des ornements ind le roman de la rose par guillaume de lorris et jean de meung jan 17 2023 la sainte bible interpretee par jean diodati apr 27 2021 maître jean ou la comédie à la cour etc jan 05 2022 anglo norman books of courtesy and nurture mar 15 2020 oeuvres complètes de s jean

cra c ez vos jeans des looks et des ornements ind copy sql - May 10 2023

web cra c ez vos jeans des looks et des ornements ind 3 3 america and possibly other nations within the united states you may freely copy and distribute this work as no entity individual or corporate has a copyright on the body of the work scholars believe and we concur that this work is important

free pdf download cra c ez vos jeans des looks et des ornements ind - Aug 01 2022

web cra c ez vos jeans des looks et des ornements ind a catalog of books jul 26 2022 système silurien du centre de la bohême nov 17 2021 the euphrates valley route to india aug 07 2023 relation to industry industrial art decorative art and objet d art detailed readings are offered

cra c ez vos jeans des looks et des ornements ind pdf - Oct 03 2022

web apr 3 2023 cra c ez vos jeans des looks et des ornements ind 3 5 downloaded from uniport edu ng on april 3 2023 by guest printers which led to a new conception of authorship examining such paratextual elements of manuscripts as title pages colophons and illustrations as well as such literary strategies as

lazada sg - Sep 02 2022

web shop through our app to enjoy exclusive vouchers better deals personalised recommendations find out first

cra c ez vos jeans des looks et des ornements ind - May 30 2022

web 2 cra c ez vos jeans des looks et des ornements ind 2022 08 27 relished in its own right by readers interested to discover anglo norman literature that was written to amuse instruct entertain or admonish medieval audiences the jews in a polish private town cornell university press cynthia j brown explains why the advent

cra c ez vos jeans des looks et des ornements ind pdf - Nov 04 2022

web aug 10 2023 recognizing the habit ways to acquire this book cra c ez vos jeans des looks et des ornements ind is additionally useful you have remained in right site to begin getting this info acquire the cra c ez vos jeans des looks et des ornements ind connect that we meet the expense of here and check out the link

cra c ez vos jeans des looks et des ornements ind - Jan 06 2023

web cra c ez vos jeans des looks et des ornements ind downloaded from ftp themontcalmclub com by guest maurice marquis le pasteur apostolique enseignant aux fideles par des instructions familières dressées en forme de catechisme les plus hautes maximes les plus solides veritez du christianisme sur

best denim stores in singapore for jeans shopping honeycombers - Sep 14 2023

web may 26 2022 topshop offers trendy affordable clothes including all sorts of denim for women with topman doing the same for the lads from high waisted jeans and mom jeans to the stretch skinny jamies and the slim fit denims this street savvy fashion retail chain is versatility at its finest topshop and topman available online 6 calvin

customer care lazada sg online shopping singapore - Jun 30 2022

web mobile accessories audio wearables console accessories camera accessories computer accessories storage printers computer components network components

the ethics of gender new dimensions to religious ethics - Sep 24 2023

web the ethics of gender new dimensions to religious ethics susan f parsons isbn 978 0 631 21517 2 october 2001 wiley blackwell 212 pages print starting at just 56 95 paperback out of stock 56 95 hardcover 124 95 download product flyer is to download pdf in new tab this is a dummy description

the ethics of sex new dimensions to religious ethics amazon de - Jun 09 2022

web the ethics of sex new dimensions to religious ethics jordan mark d isbn 9780631218173 kostenloser versand für alle bücher mit versand und verkauf duch amazon

the ethics of sex new dimensions to religious ethics abebooks - Jan 16 2023

web abebooks com the ethics of sex new dimensions to religious ethics 9780631218173 by jordan mark d and a great selection of similar new used and collectible books available now at great prices the ethics of sex new dimensions to religious ethics jordan mark d 9780631218173 abebooks

amazon com the ethics of sex new dimensions to religious ethics - Apr 07 2022

web amazon com the ethics of sex new dimensions to religious ethics 9780631218173 jordan mark d libros

the ethics of gender new dimensions to religious ethics - Feb 17 2023

web sep 21 2001 this volume investigates the impact of thinking with gender on modern ethics and considers the insights that postmodern gender theory might bring to the ethical project it concludes with the possibility of another way of self

understanding and of renewal in theological ethics for our time series new dimensions to religious ethics

ethics of sex new dimensions to religious ethics taschenbuch amazon de - Sep 12 2022

web ethics of sex new dimensions to religious ethics jordan mark d isbn 9780631218180 kostenloser versand für alle bücher mit versand und verkauf duch amazon

the ethics of gender new dimensions to religious ethics - Nov 14 2022

web the ethics of gender new dimensions to religious ethics parsons susan f 2 avg rating 2 ratings by goodreads hardcover isbn 10 0631215166 isbn 13 9780631215165 publisher wiley blackwell 2001 view all copies of this isbn edition synopsis about this title

new dimensions to religious ethics series goodreads - Mar 18 2023

web the ethics of gender new dimensions to religious ethics by susan parsons 2 00 2 ratings published 2001 5 editions the ethics of gender investigates the impact of th want to read rate it the ethics of sex by mark d jordan 3 83 30 ratings 4 reviews published 2001 4 editions mark jordan has written a provocative and stimulat

the ethics of gender new dimensions to religious ethics - Jun 21 2023

web oct 10 2001 the ethics of gender new dimensions to religious ethics susan parsons wiley oct 10 2001 religion 216 pages the ethics of gender investigates the impact of thinking with

the ethics of sex new dimensions to religious ethics open - Aug 23 2023

web the ethics of sex new dimensions to religious ethics by mark d jordan november 2001 blackwell publishers edition hardcover in english

ethics of sex new dimensions to religious ethics softcover - May 08 2022

web ethics of sex new dimensions to religious ethics von jordan mark d bei abebooks de isbn 10 0631218181 isbn 13 9780631218180 john wiley sons 2001 softcover

sex gender and christian ethics cambridge university press - Dec 15 2022

web sex gender and christian ethics demonstrates the significant contribution the christian moral tradition can make to these vitally important questions cahill s careful scholarship insightful treatment of the christian tradition and rich feminist consciousness guarantees her book a central place in such discussions

the ethics of gender new dimensions to religious ethics - Mar 06 2022

web buy the ethics of gender new dimensions to religious ethics 1 by parsons susan f isbn 9780631215172 from amazon s book store everyday low prices and free delivery on eligible orders the ethics of gender new dimensions to religious ethics amazon co uk parsons susan f 9780631215172 books

the ethics of gender new dimensions to religious ethics - Apr 19 2023

web oct 10 2001 the ethics of gender new dimensions to religious ethics 1st edition the ethics of gender new dimensions to religious ethics 1st edition the ethics of gender investigates the impact of thinking with gender on modern ethics and considers the insights that postmodern gender theory might bring to the ethical project

the ethics of gender new dimensions to religious ethics - May 20 2023

web oct 10 2001 the ethics of gender new dimensions to religious ethics susan f parsons google books susan f parsons wiley oct 10 2001 religion 216 pages 0 reviews reviews aren t

ethics of sex new dimensions to religious ethics kai cabrera - Aug 11 2022

web set sights on to download and install the ethics of sex new dimensions to religious ethics it is very simple then since currently we extend the associate to buy and make bargains to download and install ethics of sex new dimensions to religious ethics in view of that simple sex christ and embodied cognition robert h von thaden jr

new dimensions to religious ethics ser the ethics of sex by - Jul 10 2022

web find many great new used options and get the best deals for new dimensions to religious ethics ser the ethics of sex by mark d jordan 2001 trade paperback at the best online prices at ebay free shipping for many products

ethics of sex new dimensions to religious ethics by mark d - Oct 13 2022

web jun 28 2023 on the ethics of sex and on the morality of death penalty legal dimensions of new religions oxford handbooks ethics and morality basic ethical concepts e ethical dimension world religions judaism the ethics of sex mark d jordan 9780631218180 business ethics and religion in the financial business the ethics of sex wiley

[religion and sexuality wikipedia](#) - Feb 05 2022

web erotic sculptures from khajuraho temple complex india the views of the various different religions and religious believers regarding human sexuality range widely among and within them from giving sex and sexuality a rather negative connotation to believing that sex is the highest expression of the divine some religions distinguish between human sexual

the ethics of sex new dimensions to religious ethics open - Jul 22 2023

web jan 1 2002 the ethics of sex new dimensions to religious ethics by mark d jordan january 1 2002 blackwell publishing limited edition in english

calm the f ck down how to control what you can and accept - Feb 23 2023

dec 31 2018 3 42 8 835 ratings 811 reviews the no f cks given guide to taming anxiety and taking back control of your life from the bestselling author of the life changing magic of not

[calm the f ck down a no f cks given guide pdf](#) - Apr 15 2022

calm the f k down how to control what you can and - Jul 31 2023

calm the f ck down buy the book tame anxiety and take back control of your life with this genius cosmopolitan no f cks given guide from the bestselling author of the life

[calm the f k down a no f cks given guide](#) - Apr 27 2023

tame anxiety and take back control of your life with this genius cosmopolitan no f cks given guide from the bestselling author of the life changing magic of not giving a f ck and

[calm the f k down amazon com](#) - May 29 2023

dec 31 2018 tame anxiety and take back control of your life with this genius cosmopolitan no f cks given guide from the bestselling author of the life changing magic of not giving a

calm the f ck down how to control what you can and acc - Oct 22 2022

calm the f ck down a no f cks given guide f ck no sep 26 2022 say no without being an a hole and save yourself from burnout with pep talks and sage advice from the new york

calm the f k down a no f cks given guide amazon com tr - Sep 20 2022

calm the f k down a no f cks given guide ebook knight sarah amazon in kindle store

calm the f ck down how to control what you can and accept - Dec 24 2022

dec 31 2018 tame anxiety and take back control of your life with this genius cosmopolitan no f cks given guide from the bestselling author of the life changing magic of not giving a

[calm the f ck down how to control what you can](#) - Sep 01 2023

calm the f k down a no f cks given guide kindle edition by sarah knight author format kindle edition 4 6 3 524 ratings part of a no f cks given guide 8 books see all formats

calm the f k down journal practical ways to stop - Jul 19 2022

calm the f k down no f cks given guide free shipping no customs duty by author sarah knight

calm the f k down a no f cks given guide kindle edition - Mar 15 2022

calm the f ck down on apple books - Feb 11 2022

[a no f cks given guide hachette book group](#) - Mar 27 2023

the life changing magic of not giving a f k how to stop spending time you don t have doing things you don t want to do with people you don t like a no f cks given guide sarah knight

[calm the f k down a no f cks given guide paperback](#) - Nov 10 2021

calm the f k down no f cks given guide sarah knight - Jan 13 2022

calm the f ck down google books - Aug 20 2022

dec 31 2018 a no f cks given guide calm the f ck down how to control what you can and accept what you can t so you can stop freaking out and get on with your life sarah

calm the f ck down journal practical ways to stop - Jun 17 2022

open preview calm the f ck down quotes showing 1 2 of 2 you can t stop worrying fine worry away but make it count for something sarah knight calm the f ck down how to

calm the f ck down how to control what you can and accept - Jan 25 2023

calm the f k down a no f cks given guide knight sarah amazon com tr kitap

calm the f k down a no f cks given guide kindle edition - Nov 22 2022

jan 21 2022 new york times bestselling author and anti guru sarah knight will show you how millions have read and loved her no f cks given guides the life changing magic of

calm the f ck down quotes by sarah knight goodreads - Dec 12 2021

calm the f k down a no f cks given guide kindle edition - Jun 29 2023

dec 31 2018 overview tame anxiety and take back control of your life with this genius cosmopolitan no f cks given guide from the bestselling author of the life changing magic

calm the f ck down how to control what you can and accept - Oct 02 2023

dec 31 2018 calm the f ck down how to control what you can and accept what you can t so you can stop freaking out and get on with your life a no f cks given guide

no f cks given podcast on apple podcasts - May 17 2022

the latest no f ks given guide from new york times bestselling author of the international sensation the life changing magic of not giving a f k get your sh t together and you do