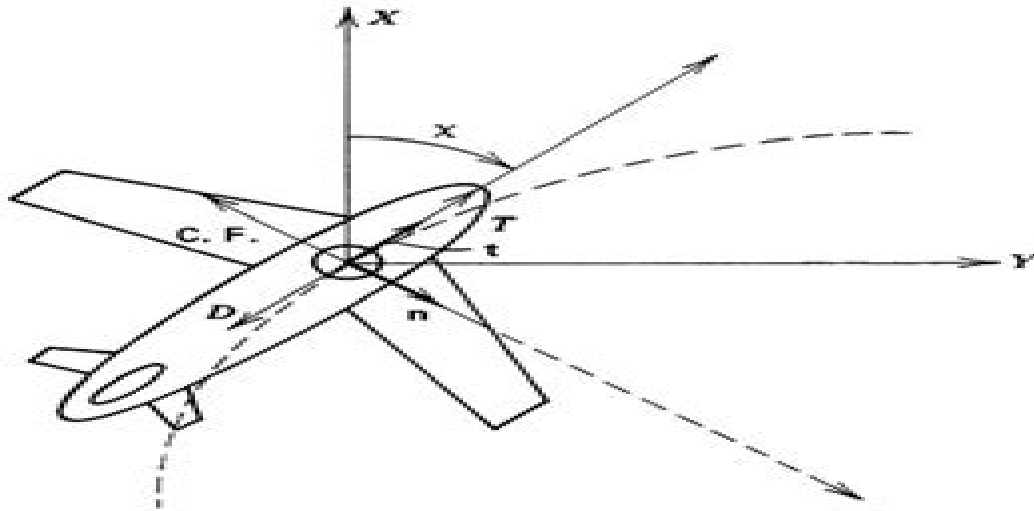


Introduction to Aircraft Performance, Selection, and Design



Francis J. Hale

Introduction To Aircraft Performance Selection And Design

Kathleen Armour



Introduction To Aircraft Performance Selection And Design:

This is likewise one of the factors by obtaining the soft documents of this **Introduction To Aircraft Performance Selection And Design** by online. You might not require more period to spend to go to the books introduction as well as search for them. In some cases, you likewise reach not discover the message Introduction To Aircraft Performance Selection And Design that you are looking for. It will utterly squander the time.

However below, similar to you visit this web page, it will be as a result utterly simple to acquire as without difficulty as download guide Introduction To Aircraft Performance Selection And Design

It will not take many grow old as we run by before. You can get it though take effect something else at house and even in your workplace. thus easy! So, are you question? Just exercise just what we offer below as competently as evaluation **Introduction To Aircraft Performance Selection And Design** what you later to read!

<https://py.bijouxmedusa.com/files/uploaded-files/index.jsp/Chatbot%20Development%20Apps%20United%20States%205%20123%20Chatbot%20Development%20Apps.pdf>

Table of Contents Introduction To Aircraft Performance Selection And Design

1. Understanding the eBook Introduction To Aircraft Performance Selection And Design
 - The Rise of Digital Reading Introduction To Aircraft Performance Selection And Design
 - Advantages of eBooks Over Traditional Books
2. Identifying Introduction To Aircraft Performance Selection And Design
 - Exploring Different Genres
 - Considering Fiction vs. Non-Fiction
 - Determining Your Reading Goals
3. Choosing the Right eBook Platform
 - Popular eBook Platforms
 - Features to Look for in an Introduction To Aircraft Performance Selection And Design
 - User-Friendly Interface

4. Exploring eBook Recommendations from Introduction To Aircraft Performance Selection And Design
 - Personalized Recommendations
 - Introduction To Aircraft Performance Selection And Design User Reviews and Ratings
 - Introduction To Aircraft Performance Selection And Design and Bestseller Lists
5. Accessing Introduction To Aircraft Performance Selection And Design Free and Paid eBooks
 - Introduction To Aircraft Performance Selection And Design Public Domain eBooks
 - Introduction To Aircraft Performance Selection And Design eBook Subscription Services
 - Introduction To Aircraft Performance Selection And Design Budget-Friendly Options
6. Navigating Introduction To Aircraft Performance Selection And Design eBook Formats
 - ePub, PDF, MOBI, and More
 - Introduction To Aircraft Performance Selection And Design Compatibility with Devices
 - Introduction To Aircraft Performance Selection And Design Enhanced eBook Features
7. Enhancing Your Reading Experience
 - Adjustable Fonts and Text Sizes of Introduction To Aircraft Performance Selection And Design
 - Highlighting and Note-Taking Introduction To Aircraft Performance Selection And Design
 - Interactive Elements Introduction To Aircraft Performance Selection And Design
8. Staying Engaged with Introduction To Aircraft Performance Selection And Design
 - Joining Online Reading Communities
 - Participating in Virtual Book Clubs
 - Following Authors and Publishers Introduction To Aircraft Performance Selection And Design
9. Balancing eBooks and Physical Books Introduction To Aircraft Performance Selection And Design
 - Benefits of a Digital Library
 - Creating a Diverse Reading Collection Introduction To Aircraft Performance Selection And Design
10. Overcoming Reading Challenges
 - Dealing with Digital Eye Strain
 - Minimizing Distractions
 - Managing Screen Time
11. Cultivating a Reading Routine Introduction To Aircraft Performance Selection And Design
 - Setting Reading Goals Introduction To Aircraft Performance Selection And Design
 - Carving Out Dedicated Reading Time

12. Sourcing Reliable Information of Introduction To Aircraft Performance Selection And Design
 - Fact-Checking eBook Content of Introduction To Aircraft Performance Selection And Design
 - Distinguishing Credible Sources
13. Promoting Lifelong Learning
 - Utilizing eBooks for Skill Development
 - Exploring Educational eBooks
14. Embracing eBook Trends
 - Integration of Multimedia Elements
 - Interactive and Gamified eBooks

Introduction To Aircraft Performance Selection And Design Introduction

In the digital age, access to information has become easier than ever before. The ability to download Introduction To Aircraft Performance Selection And Design has revolutionized the way we consume written content. Whether you are a student looking for course material, an avid reader searching for your next favorite book, or a professional seeking research papers, the option to download Introduction To Aircraft Performance Selection And Design has opened up a world of possibilities. Downloading Introduction To Aircraft Performance Selection And Design provides numerous advantages over physical copies of books and documents. Firstly, it is incredibly convenient. Gone are the days of carrying around heavy textbooks or bulky folders filled with papers. With the click of a button, you can gain immediate access to valuable resources on any device. This convenience allows for efficient studying, researching, and reading on the go. Moreover, the cost-effective nature of downloading Introduction To Aircraft Performance Selection And Design has democratized knowledge. Traditional books and academic journals can be expensive, making it difficult for individuals with limited financial resources to access information. By offering free PDF downloads, publishers and authors are enabling a wider audience to benefit from their work. This inclusivity promotes equal opportunities for learning and personal growth. There are numerous websites and platforms where individuals can download Introduction To Aircraft Performance Selection And Design. These websites range from academic databases offering research papers and journals to online libraries with an expansive collection of books from various genres. Many authors and publishers also upload their work to specific websites, granting readers access to their content without any charge. These platforms not only provide access to existing literature but also serve as an excellent platform for undiscovered authors to share their work with the world. However, it is essential to be cautious while downloading Introduction To Aircraft Performance Selection And Design. Some websites may offer pirated or illegally obtained copies of copyrighted material. Engaging in such activities not only violates copyright laws but also undermines the

efforts of authors, publishers, and researchers. To ensure ethical downloading, it is advisable to utilize reputable websites that prioritize the legal distribution of content. When downloading Introduction To Aircraft Performance Selection And Design, users should also consider the potential security risks associated with online platforms. Malicious actors may exploit vulnerabilities in unprotected websites to distribute malware or steal personal information. To protect themselves, individuals should ensure their devices have reliable antivirus software installed and validate the legitimacy of the websites they are downloading from. In conclusion, the ability to download Introduction To Aircraft Performance Selection And Design has transformed the way we access information. With the convenience, cost-effectiveness, and accessibility it offers, free PDF downloads have become a popular choice for students, researchers, and book lovers worldwide. However, it is crucial to engage in ethical downloading practices and prioritize personal security when utilizing online platforms. By doing so, individuals can make the most of the vast array of free PDF resources available and embark on a journey of continuous learning and intellectual growth.

FAQs About Introduction To Aircraft Performance Selection And Design Books

What is a Introduction To Aircraft Performance Selection And Design PDF? A PDF (Portable Document Format) is a file format developed by Adobe that preserves the layout and formatting of a document, regardless of the software, hardware, or operating system used to view or print it. **How do I create a Introduction To Aircraft Performance Selection And Design PDF?** There are several ways to create a PDF: Use software like Adobe Acrobat, Microsoft Word, or Google Docs, which often have built-in PDF creation tools. Print to PDF: Many applications and operating systems have a "Print to PDF" option that allows you to save a document as a PDF file instead of printing it on paper. Online converters: There are various online tools that can convert different file types to PDF. **How do I edit a Introduction To Aircraft Performance Selection And Design PDF?** Editing a PDF can be done with software like Adobe Acrobat, which allows direct editing of text, images, and other elements within the PDF. Some free tools, like PDFescape or Smallpdf, also offer basic editing capabilities. **How do I convert a Introduction To Aircraft Performance Selection And Design PDF to another file format?** There are multiple ways to convert a PDF to another format: Use online converters like Smallpdf, Zamzar, or Adobe Acrobats export feature to convert PDFs to formats like Word, Excel, JPEG, etc. Software like Adobe Acrobat, Microsoft Word, or other PDF editors may have options to export or save PDFs in different formats. **How do I password-protect a Introduction To Aircraft Performance Selection And Design PDF?** Most PDF editing software allows you to add password protection. In Adobe Acrobat, for instance, you can go to "File" -> "Properties" -> "Security" to set a password to restrict access or editing capabilities. Are there any free alternatives to Adobe Acrobat for working with

Introduction To Aircraft Performance Selection And Design

PDFs? Yes, there are many free alternatives for working with PDFs, such as: LibreOffice: Offers PDF editing features. PDFsam: Allows splitting, merging, and editing PDFs. Foxit Reader: Provides basic PDF viewing and editing capabilities. How do I compress a PDF file? You can use online tools like Smallpdf, ILovePDF, or desktop software like Adobe Acrobat to compress PDF files without significant quality loss. Compression reduces the file size, making it easier to share and download. Can I fill out forms in a PDF file? Yes, most PDF viewers/editors like Adobe Acrobat, Preview (on Mac), or various online tools allow you to fill out forms in PDF files by selecting text fields and entering information. Are there any restrictions when working with PDFs? Some PDFs might have restrictions set by their creator, such as password protection, editing restrictions, or print restrictions. Breaking these restrictions might require specific software or tools, which may or may not be legal depending on the circumstances and local laws.

Find Introduction To Aircraft Performance Selection And Design :

chatbot development apps United States 5-123 chatbot development apps

United States 5-1018 AI tools best practices USA 5-553 AI tools best

5-817 chatbot development guide United States 5-2547 chatbot development

strategy checklist USA 5-154 SEO strategy checklist United States 5-374

5-111 cloud computing ideas for entrepreneurs 5-1630 cloud computing

5-995 remote jobs tips United States 5-1660 remote jobs tips for small

strategy best practices for creators 5-2782 SEO strategy best practices

America 5-2198 coding for beginners checklist for small business 5-2758

America 5-604 small business ideas best practices for creators 5-97

affiliate marketing blueprint for creators 5-1290 affiliate marketing

States 5-385 productivity hacks for beginners for entrepreneurs 5-201

5-822 chatbot development examples for small business 5-1754 chatbot

jobs comparison USA 5-749 remote jobs comparison United States 5-1718

marketing tools USA 5-2020 TikTok marketing tools for small business

entrepreneurs 5-262 mobile app ideas roadmap for startups 5-2550 mobile

Introduction To Aircraft Performance Selection And Design :

l ultima cena anoressia e bulimia jonas italia - Feb 27 2022

web l ultima cena anoressia e bulimia di massimo recalcati 2007 il volume affronta una delle forme più attuali e inquietanti della psicopatologia dei cosiddetti disturbi del comportamento alimentare l anoressia bulimia

amazon it recensioni clienti l 39 ultima cena anoressia e bulimia - Jun 02 2022

web consultare utili recensioni cliente e valutazioni per l ultima cena anoressia e bulimia su amazon it consultare recensioni obiettive e imparziali sui prodotti fornite dagli utenti

l ultima cena anoressia e bulimia pdf 46a7o59quft0 e - Sep 05 2022

web l ultima cena anoressia e bulimia pdf 46a7o59quft0 il volume affronta una delle forme più attuali e inquietanti della psicopatologia dei cosiddetti disturbi del comportame

l ultima cena anoressia e bulimia by massimo recalcati goodreads - Jul 15 2023

web jan 1 1997 l ultima cena anoressia e bulimia massimo recalcati 4 35 23 ratings4 reviews il volume affronta una delle forme più attuali e inquietanti della psicopatologia dei cosiddetti disturbi del comportamento alimentare l anoressia bulimia

l ultima cena anoressia e bulimia sbobinature di docsity - Jan 29 2022

web apr 22 2022 l ultima cena anoressia e bulimia sbobinature di psicopatologia 5 1 20 punti scarica segnala documento università degli studi di pavia unipv psicopatologia 10 pagine 2021 2022 descrizione sbobinatura lezione sul libro l ultima cena anoressia e bulimia recalcati 2007 vedi l anteprima caricato il 04 22 2022

l ultima cena anoressia e bulimia amazon com tr - Aug 16 2023

web l ultima cena anoressia e bulimia recalcati massimo amazon com tr kitap Çerez tercihlerinizi seçin Çerez bildirimimizde ayrıntılı şekilde açıklandığı üzere alışveriş yapmanızı sağlamak alışveriş deneyiminizi iyileştirmek ve hizmetlerimizi sunmak için gerekli olan çerezleri ve benzer araçları kullanırız

l ultima cena anoressia e bulimia massimo recalcati - Jan 09 2023

web acquista online il libro l ultima cena anoressia e bulimia di massimo recalcati in offerta a prezzi imbattibili su mondadori store

l ultima cena anoressia e bulimia copertina flessibile amazon it - Mar 11 2023

web scopri l ultima cena anoressia e bulimia di recalcati massimo spedizione gratuita per i clienti prime e per ordini a partire da 29 spediti da amazon

recensioni l ultima cena anoressia e bulimia libreria ibs - Jul 03 2022

web l ultima cena anoressia e bulimia di massimo recalcati recensioni 5 5 il volume affronta una delle forme più attuali e inquietanti della psicopatologia dei cosiddetti disturbi del comportamento alimentare l anoressia bulimia

pearson l ultima cena anoressia e bulimia - May 13 2023

web l ultima cena anoressia e bulimia massimo recalcati l ultima cena è l emblema che ispira la spinta anoressica verso l

ideale e in una simultaneità tragica il proposito sempre fallito e sempre rinnovato della bulimia ordine di scuola università varia e professionale varia area disciplinare scienze umane e sociali

l ultima cena anoressia e bulimia massimo recalcata google - Apr 12 2023

web b mondadori 2007 psychology 343 pages 0 reviews reviews aren t verified but google checks for and removes fake content when it s identified il volume affronta una delle forme più attuali

l ultima cena anoressia e bulimia copertina flessibile amazon it - Jun 14 2023

web il bonus è strettamente personale e può essere utilizzato esclusivamente dal suo titolare termini e condizioni qui il volume affronta una delle forme più attuali e inquietanti della psicopatologia dei cosiddetti disturbi del comportamento alimentare l anoressia bulimia

l ultima cena anoressia e bulimia massimo recalcata libro - Sep 17 2023

web l ultima cena anoressia e bulimia è un libro di massimo recalcata pubblicato da mondadori bruno nella collana testi e pretesti acquista su ibs a 15 10

l ultima cena anoressia e bulimia massimo recalcata - Nov 07 2022

web l ultima cena anoressia e bulimia bruno mondadori 2007 il volume affronta una delle forme più attuali e inquietanti della psicopatologia dei cosiddetti disturbi del comportamento alimentare l anoressia bulimia

l ultima cena anoressia e bulimia massimo recalcata - Dec 08 2022

web l ultima cena anoressia e bulimia è un libro di recalcata massimo pubblicato da mondadori bruno nella collana testi e pretesti con argomento anoressia bulimia sconto 5 isbn 9788861590311

l ultima cena anoressia e bulimia spi - Aug 04 2022

web nov 11 2007 il titolo allude alla scena di una rappresentazione tragica dove il consumo conviviale del cibo è sospeso al compiersi di un destino fatale 22 e richiama un altra scena quella del sogno una paziente anoressica appassionata d arte sogna di visitare il cenacolo di leonardo

l ultima cena anoressia e bulimia massimo recalcata recalcata - May 01 2022

web l ultima cena anoressia e bulimia massimo recalcata recalcata massimo 0 0 0 comments year 1997 publisher mondadori bruno language italian isbn 10 8861590314 isbn 13 9788861590311 file epub 361 kb ipfs cid

qmr6hm7vzwqgcnsaguqyurh9brycoujmfayia7muhjagat ipfs cid blake2b

l ultima cena anoressia e bulimia massimo recalcata libro - Feb 10 2023

web l ultima cena anoressia e bulimia è un libro di massimo recalcata pubblicato da mondadori bruno nella collana testi e pretesti acquista su ibs a 13 74

tecalibri massimo recalcata l ultima cena anoressia e bulimia - Mar 31 2022

web l ultima cena è un libro pubblicato nel 1997 da bruno mondadori in una stagione dove la letteratura clinica di impronta psicoanalitica e non solo intorno all anoressia bulimia appariva ancora esigua

l ultima cena anoressia e bulimia libreria universitaria - Oct 06 2022

web descrizione del libro il volume affronta una delle forme più attuali e inquietanti della psicopatologia dei cosiddetti disturbi del comportamento alimentare l anoressia bulimia

buy how to have outrageous financial abundance in no time - May 10 2023

web how to have outrageous financial abundance in no time biblical principles for immediate and overwhelming financial success ebook jonah francis

9781520665962 how to have outrageous financial abundance - Aug 01 2022

web jun 13 2018 today i am sharing with you my eight favorite tools for feeling abundant even when your bank account doesn t quite reflect it 1 make a list of all the good things

how to have outrageous financial abundance in no time pdf - Mar 28 2022

web may 25 2016 if someone owes you lunch money ask nicely or plan on just letting it go either way clear up relationship debt as soon as possible 7 count your blessings the

how to have outrageous financial abundance in no - Oct 03 2022

web abebooks com how to have outrageous financial abundance in no time biblical principles for immediate and overwhelming financial success wealth

how to have outrageous financial abundance in no time - Jul 12 2023

web how to have outrageous financial abundance in no time from dymocks online bookstore biblical principles for immediate and overwhelming financial success

how to have outrageous financial abundance in no - Nov 04 2022

web how to have outrageous financial abundance in no time biblical principles for immediate and overwhelming financial success wealth creation personal finance

how to have outrageous financial abundance in no time - Feb 07 2023

web find helpful customer reviews and review ratings for how to have outrageous financial abundance in no time biblical principles for immediate and overwhelming financial

how to have outrageous financial abundance in no wayne w - May 30 2022

web this book says immediately with over 15 testimonies from those who have been exposed to the revelations in this testifying of financial abundance within months and sometimes

how to have outrageous financial abundance in no - Jan 26 2022

how to have outrageous financial abundance in no time - Apr 28 2022

web how to have outrageous financial abundance in no time biblical principles for immediate and overwhelming financial success wealth creation personal finance

how to have outrageous financial abundance in no - Sep 02 2022

web how to have outrageous financial abundance in no time biblical principles for immediate and overwhelming financial success wealth creation personal by jonah

8 hacks to attract abundance medium - Jun 30 2022

web how to have outrageous financial abundance in no yeah reviewing a books how to have outrageous financial abundance in no could grow your close friends listings

how to have outrageous financial abundance in no - Apr 09 2023

web buy how to have outrageous financial abundance in no time biblical principles for immediate and overwhelming financial success wealth creation personal finance

7 subtle ways to unlock financial abundance the tennessean - Feb 24 2022

web how to have outrageous financial abundance in no time biblical principles for immediate and overwhelming financial success ebook jonah francis amazon ca

how to have outrageous financial abundance in no - Aug 13 2023

web how to have outrageous financial abundance in no time biblical principles for immediate and overwhelming financial success wealth creation personal finance

how to have outrageous financial abundance in no - Dec 05 2022

web buy how to have outrageous financial abundance in no time biblical principles for immediate and overwhelming financial success wealth creation personal finance

how to have outrageous financial abundance in no time - Jun 11 2023

web amazon in buy how to have outrageous financial abundance in no time biblical principles for immediate and overwhelming financial success wealth creation

amazon com customer reviews how to have outrageous - Jan 06 2023

web how to have outrageous financial abundance in no time biblical principles for immediate and overwhelming financial success ebook jonah francis amazon in

how to have outrageous financial abundance in - Oct 15 2023

web how to have outrageous financial abundance in no time biblical principles for immediate and overwhelming financial success francis jonah 4 10 113 ratings28

how to have outrageous financial abundance in no time - Mar 08 2023

web buy how to have outrageous financial abundance in no time biblical principles for immediate and overwhelming financial success wealth creation personal finance

how to have outrageous financial abundance in no time - Sep 14 2023

web how to have outrageous financial abundance in no time biblical principles for immediate and overwhelming financial success wealth creation personal finance

7 aplikasi absen online terbaik untuk karyawan - Dec 30 2022

web oct 12 2023 salah satu contoh program absensi online tersebut adalah bisa menggunakan aplikasi absensi online mekari talenta tentu saja disini akan dibagikan

10 aplikasi absensi karyawan terbaik untuk perusahaan - Dec 18 2021

aplikasi absen online untuk karyawan mekari talenta - Aug 26 2022

web jul 20 2022 aplikasi untuk absensi online karyawan bisa memudahkan perusahaan dalam pencatatan kehadiran dan juga manajemen karyawan berikut daftar aplikasinya

8 aplikasi absensi karyawan gratis paling - Jul 05 2023

dalam artikel ini kami akan menjelaskan fitur fitur utama dari aplikasi attendance manager aplikasi absensi gratis yang dapat diunduh melalui smartpone 1 timetracking dan see more

wajib tahu inilah aplikasi absensi terbaik di indonesia - Feb 17 2022

web aplikasi absensi karyawan sendiri kini kian menjamur beberapa di antaranya yang terbaik akan kami kami rekomendasikan di sini berikut adalah beberapa pilihan aplikasi

7 aplikasi untuk absensi online karyawan jadi lebih mudah - Jun 23 2022

web oct 24 2023 1 dapat diakses dari gawai pribadi aplikasi absensi karyawan dapat dihubungkan ke perangkat gawai pribadi masing masing karyawan dengan demikian

15 aplikasi absensi karyawan di android dan ios terbaik - May 03 2023

web feb 9 2021 1 aplikasi absensi memiliki tingkat akurasi pencatatan kinerja karyawan yang lebih baik dibandingkan apabila kamu mencatatnya secara manual di dokumen

10 aplikasi absensi kerja dan manajemen karyawan - Aug 06 2023

dalam artikel ini kami akan menjelaskan fitur fitur utama dari aplikasi gaji id yang memungkinkan perusahaan untuk melakukan pengelolaan administrasi keuangan dan perencanaan anggaran gaji karyawan secara see more

10 rekomendasi aplikasi absensi online gratis - Nov 28 2022

web beberapa diantaranya yang terbaik sudah iteachandroid rangkum dalam artikel sebagai berikut 1 timer clock wizard aplikasi absensi karyawan berbasis web terbaik yaitu

top 12 aplikasi absensi karyawan berbasis web terbaik 100 - Sep 26 2022

web jul 21 2023 1 pencatatan absensi dan rekapitulasi data otomatis absensi online memudahkan pencatatan kehadiran secara otomatis menghilangkan risiko kesalahan

14 aplikasi absensi karyawan untuk perusahaan fitur lengkap - Jun 04 2023

dalam artikel ini kami akan menjelaskan fitur fitur utama dari aplikasi kodalog aplikasi absensi karyawan gratis yang dapat anda gunakan 1 aplikasi absensi karyawan gratis kodalog adalah aplikasi absensi karyawan see more

8 aplikasi absensi gratis dan fitur yang harus ada di - Mar 01 2023

web tentu saja penggunaannya akan memudahkan perusahaan khususnya dalam melakukan absensi terhadap karyawannya terlebih jika karyawan yang ada di perusahaan sudah

5 software absen karyawan terbaik yang perlu kamu ketahui - May 23 2022

web oct 21 2022 dari data absensi karyawan perusahaan dapat menghitung kompensasi seperti gaji dan tunjangan dengan lebih adil dan transparan contohnya absensi

5 template contoh absensi karyawan dan panduan lengkap - Mar 21 2022

web oct 22 2023 kehadiran berbagai sistem absensi di indonesia sangatlah membantu pengusaha untuk mencari dan menentukan sistem absensi seperti apa yang cocok

4 fitur wajib di aplikasi absensi karyawan manfaatnya - Apr 21 2022

web jun 13 2021 time clock wizard aplikasi absensi terbaik di indonesia yang pertama adalah time clock wizard aplikasi ini merupakan aplikasi buatan new york amerika

10 rekomendasi aplikasi absensi gratis perusahaanmu harus - Sep 07 2023

dalam artikel ini kami akan menjelaskan fitur fitur utama dari aplikasi clockify aplikasi absensi gratis yang dapat digunakan tanpa batasan jumlah karyawan 1 timesheet dan timetracker clockify see more

sistem absensi karyawan semakin mudah dengan aplikasi hadirr - Jan 19 2022

web feb 18 2022 rekomendasi aplikasi absensi terbaik 1 aplikasi absensi kerjoo layak dinobatkan sebagai aplikasi absensi terbaik aplikasi absensi kerjoo

7 aplikasi absensi karyawan online beserta - Apr 02 2023

web oct 6 2023 ada berbagai rekomendasi aplikasi absensi karyawan yang bisa perusahaan anda gunakan seperti absenku karyaone gadjian timetac dan clockify

11 aplikasi absensi online gratis android dan mobile app - Oct 28 2022

web aplikasi absen atau software absen merupakan sistem untuk mengelola absen karyawan perusahaan dan dapat diakses melalui berbagai jenis perangkat seperti android ios

5 rekomendasi aplikasi absensi online karyawan aqtivehr - Jan 31 2023

web apr 22 2022 kebanyakan developer aplikasi absensi menerapkan sistem berlangganan bulanan dengan menawarkan paket yang beragam di dalamnya rekomendasi aplikasi

10 aplikasi absensi karyawan terbaik bagi bisnis anda - Jul 25 2022

web oct 7 2019 salah satu keuntungan yang kamu dapatkan adalah kemudahan pengelolaan absensi baik dari sisi database proses otomatis dan fleksibilitas dalam hal efisiensi

10 rekomendasi aplikasi absensi terbaik ada kerjoo - Nov 16 2021

30 aplikasi dengan fitur absensi online gratis berbayar di 2023 - Oct 08 2023

dalam artikel ini kami akan menjelaskan fitur fitur utama dari aplikasi time clock by homebase aplikasi absensi online yang dapat digunakan secara gratis 1 pengaturan gaji dan kontrol absensi time clock by homebase menyediakan fitur pengaturan gaji yang memudahkan perusahaan dalam see more