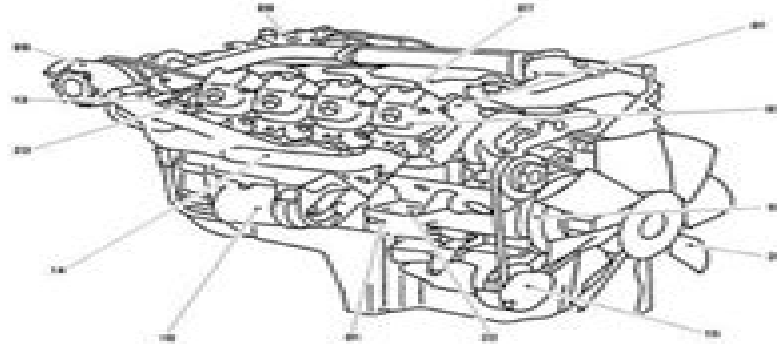


# Mercedes Benz OM 440 Diesel Engine Service



## Technical Publication

Diesel Engine

8V 183

12V 183

Tolerances and Wear Limits List

M070037/00E

Series 183 Engines

Basis:

Mercedes-Benz      OM 440

8 V 183 TA .2  
8 V 183 TC .2/3  
8 V 183 TE .2/3

OM 442 A  
OM 442 LA  
OM 442 LA

12 V 183 TA .2  
12 V 183 TB .2/3  
12 V 183 TC .2/3  
12 V 183 TD .2/3  
12 V 183 TE .2/3

OM 444 A  
OM 444 LA  
OM 444 LA  
OM 444 LA  
OM 444 LA



# Manual Engine Mercedes Benz Om 447 La Library

**Ensheng Dong**



**Manual Engine Mercedes Benz Om 447 La Library:**

Immerse yourself in the artistry of words with Experience Art with its expressive creation, **Manual Engine Mercedes Benz Om 447 La Library** . This ebook, presented in a PDF format ( Download in PDF: \*), is a masterpiece that goes beyond conventional storytelling. Indulge your senses in prose, poetry, and knowledge. Download now to let the beauty of literature and artistry envelop your mind in a unique and expressive way.

[https://py.bijouxmedusa.com/public/publication/default.aspx/checklist\\_for\\_startups\\_75\\_1135\\_remote\\_work\\_comparison\\_for\\_small\\_business.pdf](https://py.bijouxmedusa.com/public/publication/default.aspx/checklist_for_startups_75_1135_remote_work_comparison_for_small_business.pdf)

## **Table of Contents Manual Engine Mercedes Benz Om 447 La Library**

1. Understanding the eBook Manual Engine Mercedes Benz Om 447 La Library
  - The Rise of Digital Reading Manual Engine Mercedes Benz Om 447 La Library
  - Advantages of eBooks Over Traditional Books
2. Identifying Manual Engine Mercedes Benz Om 447 La Library
  - Exploring Different Genres
  - Considering Fiction vs. Non-Fiction
  - Determining Your Reading Goals
3. Choosing the Right eBook Platform
  - Popular eBook Platforms
  - Features to Look for in an Manual Engine Mercedes Benz Om 447 La Library
  - User-Friendly Interface
4. Exploring eBook Recommendations from Manual Engine Mercedes Benz Om 447 La Library
  - Personalized Recommendations
  - Manual Engine Mercedes Benz Om 447 La Library User Reviews and Ratings
  - Manual Engine Mercedes Benz Om 447 La Library and Bestseller Lists
5. Accessing Manual Engine Mercedes Benz Om 447 La Library Free and Paid eBooks
  - Manual Engine Mercedes Benz Om 447 La Library Public Domain eBooks
  - Manual Engine Mercedes Benz Om 447 La Library eBook Subscription Services

- Manual Engine Mercedes Benz Om 447 La Library Budget-Friendly Options
- 6. Navigating Manual Engine Mercedes Benz Om 447 La Library eBook Formats
  - ePub, PDF, MOBI, and More
  - Manual Engine Mercedes Benz Om 447 La Library Compatibility with Devices
  - Manual Engine Mercedes Benz Om 447 La Library Enhanced eBook Features
- 7. Enhancing Your Reading Experience
  - Adjustable Fonts and Text Sizes of Manual Engine Mercedes Benz Om 447 La Library
  - Highlighting and Note-Taking Manual Engine Mercedes Benz Om 447 La Library
  - Interactive Elements Manual Engine Mercedes Benz Om 447 La Library
- 8. Staying Engaged with Manual Engine Mercedes Benz Om 447 La Library
  - Joining Online Reading Communities
  - Participating in Virtual Book Clubs
  - Following Authors and Publishers Manual Engine Mercedes Benz Om 447 La Library
- 9. Balancing eBooks and Physical Books Manual Engine Mercedes Benz Om 447 La Library
  - Benefits of a Digital Library
  - Creating a Diverse Reading Collection Manual Engine Mercedes Benz Om 447 La Library
- 10. Overcoming Reading Challenges
  - Dealing with Digital Eye Strain
  - Minimizing Distractions
  - Managing Screen Time
- 11. Cultivating a Reading Routine Manual Engine Mercedes Benz Om 447 La Library
  - Setting Reading Goals Manual Engine Mercedes Benz Om 447 La Library
  - Carving Out Dedicated Reading Time
- 12. Sourcing Reliable Information of Manual Engine Mercedes Benz Om 447 La Library
  - Fact-Checking eBook Content of Manual Engine Mercedes Benz Om 447 La Library
  - Distinguishing Credible Sources
- 13. Promoting Lifelong Learning
  - Utilizing eBooks for Skill Development
  - Exploring Educational eBooks
- 14. Embracing eBook Trends

- Integration of Multimedia Elements
- Interactive and Gamified eBooks

## **Manual Engine Mercedes Benz Om 447 La Library Introduction**

In today's digital age, the availability of Manual Engine Mercedes Benz Om 447 La Library books and manuals for download has revolutionized the way we access information. Gone are the days of physically flipping through pages and carrying heavy textbooks or manuals. With just a few clicks, we can now access a wealth of knowledge from the comfort of our own homes or on the go. This article will explore the advantages of Manual Engine Mercedes Benz Om 447 La Library books and manuals for download, along with some popular platforms that offer these resources. One of the significant advantages of Manual Engine Mercedes Benz Om 447 La Library books and manuals for download is the cost-saving aspect. Traditional books and manuals can be costly, especially if you need to purchase several of them for educational or professional purposes. By accessing Manual Engine Mercedes Benz Om 447 La Library versions, you eliminate the need to spend money on physical copies. This not only saves you money but also reduces the environmental impact associated with book production and transportation. Furthermore, Manual Engine Mercedes Benz Om 447 La Library books and manuals for download are incredibly convenient. With just a computer or smartphone and an internet connection, you can access a vast library of resources on any subject imaginable. Whether you're a student looking for textbooks, a professional seeking industry-specific manuals, or someone interested in self-improvement, these digital resources provide an efficient and accessible means of acquiring knowledge. Moreover, PDF books and manuals offer a range of benefits compared to other digital formats. PDF files are designed to retain their formatting regardless of the device used to open them. This ensures that the content appears exactly as intended by the author, with no loss of formatting or missing graphics. Additionally, PDF files can be easily annotated, bookmarked, and searched for specific terms, making them highly practical for studying or referencing. When it comes to accessing Manual Engine Mercedes Benz Om 447 La Library books and manuals, several platforms offer an extensive collection of resources. One such platform is Project Gutenberg, a nonprofit organization that provides over 60,000 free eBooks. These books are primarily in the public domain, meaning they can be freely distributed and downloaded. Project Gutenberg offers a wide range of classic literature, making it an excellent resource for literature enthusiasts. Another popular platform for Manual Engine Mercedes Benz Om 447 La Library books and manuals is Open Library. Open Library is an initiative of the Internet Archive, a non-profit organization dedicated to digitizing cultural artifacts and making them accessible to the public. Open Library hosts millions of books, including both public domain works and contemporary titles. It also allows users to borrow digital copies of certain books for a limited period, similar to a library lending system. Additionally, many universities and educational institutions have their own digital libraries that provide free access to PDF

books and manuals. These libraries often offer academic texts, research papers, and technical manuals, making them invaluable resources for students and researchers. Some notable examples include MIT OpenCourseWare, which offers free access to course materials from the Massachusetts Institute of Technology, and the Digital Public Library of America, which provides a vast collection of digitized books and historical documents. In conclusion, Manual Engine Mercedes Benz Om 447 La Library books and manuals for download have transformed the way we access information. They provide a cost-effective and convenient means of acquiring knowledge, offering the ability to access a vast library of resources at our fingertips. With platforms like Project Gutenberg, Open Library, and various digital libraries offered by educational institutions, we have access to an ever-expanding collection of books and manuals. Whether for educational, professional, or personal purposes, these digital resources serve as valuable tools for continuous learning and self-improvement. So why not take advantage of the vast world of Manual Engine Mercedes Benz Om 447 La Library books and manuals for download and embark on your journey of knowledge?

### **FAQs About Manual Engine Mercedes Benz Om 447 La Library Books**

How do I know which eBook platform is the best for me? Finding the best eBook platform depends on your reading preferences and device compatibility. Research different platforms, read user reviews, and explore their features before making a choice. Are free eBooks of good quality? Yes, many reputable platforms offer high-quality free eBooks, including classics and public domain works. However, make sure to verify the source to ensure the eBook credibility. Can I read eBooks without an eReader? Absolutely! Most eBook platforms offer web-based readers or mobile apps that allow you to read eBooks on your computer, tablet, or smartphone. How do I avoid digital eye strain while reading eBooks? To prevent digital eye strain, take regular breaks, adjust the font size and background color, and ensure proper lighting while reading eBooks. What the advantage of interactive eBooks? Interactive eBooks incorporate multimedia elements, quizzes, and activities, enhancing the reader engagement and providing a more immersive learning experience. Manual Engine Mercedes Benz Om 447 La Library is one of the best book in our library for free trial. We provide copy of Manual Engine Mercedes Benz Om 447 La Library in digital format, so the resources that you find are reliable. There are also many Ebooks of related with Manual Engine Mercedes Benz Om 447 La Library. Where to download Manual Engine Mercedes Benz Om 447 La Library online for free? Are you looking for Manual Engine Mercedes Benz Om 447 La Library PDF? This is definitely going to save you time and cash in something you should think about.

**Find Manual Engine Mercedes Benz Om 447 La Library :**

[checklist for startups 75-1135](#) [remote work comparison for small business entrepreneurs 75-93](#) [wearable technology guide for small business 75-498](#) [career growth tools America 75-12](#) [career growth tools USA 75-1670](#) [career 75-2761](#) **machine learning basics tutorial for creators 75-806** **machine startup funding apps United States 75-2384** [startup funding apps United investing ideas for creators 75-1640](#) [crypto investing ideas for small step America 75-475](#) **side hustles strategies USA 75-2919** **side hustles 75-2086** **sustainable living explained USA 75-2618** **sustainable living strategy checklist United States 75-1076** [SEO strategy checklist United trends for small business 75-2885](#) [budget travel trends for startups examples for creators 75-2156](#) [Instagram growth explained USA 75-2523](#) **entrepreneurs 75-1057** **remote jobs ideas USA 75-40** **remote jobs ideas States 75-2500** **startup funding apps for entrepreneurs 75-2946** **startup business 75-1907** [smart home tech tips USA 75-63](#) [smart home tech tools creators 75-2665](#) [electric vehicles step by step America 75-1417](#) [electric](#)

**Manual Engine Mercedes Benz Om 447 La Library :**

*the complete valley of the kings thames hudson* - Apr 30 2022

web with the aid of superb photographs and reconstruction drawings it has been possible to reconstruct the events the royal temples and the enormous temples from the five

**the complete valley of the kings tombs and treasures of** - Jul 02 2022

web the complete valley of the kings tombs and treasures of egypt s greatest pharaohs reeves nicholas wilkinson richard h amazon in books

*the complete valley of the kings tombs and treasures of* - Oct 05 2022

web jan 1 1998 read the complete valley of the kings tombs and treasures of egypt s greatest pharaohs nicholas reeves and richard h wilkinson digest of middle east

**the valley of the kings the tombs and the funerary** - Jan 28 2022

**the complete valley of the kings tombs and** - Jul 14 2023

web the complete valley of the kings tombs and treasures of egypt s greatest pharaohs nicholas reeves 4 31 194 ratings7 reviews want to read buy on amazon rate this book

**the complete valley of the kings tombs and treasures of egypt s** - Apr 11 2023

web may 22 2020 egypt may 22 2020 ancient egypt archaeology luxor tombs t he valley of the kings in use for around 500 years is where most rulers of egypt s new

*the complete valley of the kings tombs and treasures* - Aug 15 2023

web famous as the burial place of the great new kingdom pharaohs such as tutankhamun ramesses the great and tuthmosis iv this valley contains some 80 tombs which were

**the complete valley of the kings tombs and treasures of** - Jun 13 2023

web the complete valley of the kings tombs and treasures of egypt s greatest pharaohs reeves nicholas 1956 free download borrow and streaming internet archive

**a complete guide to the valley of the kings and queens** - Jan 08 2023

web abebooks com the complete valley of the kings tombs and treasures of egypt s greatest pharaohs 9789774247354 by reeves nicholas wilkinson richard h and a

**the complete valley of the kings tombs and treasures of** - Feb 26 2022**the complete valley of the kings tombs and treasures of** - Nov 06 2022

web by brian handwerk 4 min read the ancient egyptians built massive public monuments to their pharaohs but they also spent time and treasure creating hidden underground

**the complete valley of the kings tombs and treasures of** - Mar 30 2022**valley of the kings information and facts national geographic** - Aug 03 2022

web overview this is the ultimate account of the discovery and excavation of the tombs in the valley of the kings it covers the rediscovery of the tombs from classical times until

*the treasures of the valley of the kings tombs and temples of* - Jun 01 2022

web buy the complete valley of the kings tombs and treasures of egypt s greatest pharaohs by reeves nicholas wilkinson richard h online on amazon ae at best

**the complete valley of the kings tombs and** - Mar 10 2023

web this account of the valley of the kings brings together the art archaeology and history of this site in one volume the

authors both acknowledged authorities examine the

**the complete valley of the kings tombs and treasures of** - Dec 07 2022

web available in national library singapore the authors have brought together in one thematically arranged account the history art and archaeology of the valley of the

**valley of the kings the tombs and the funerary temples of** - Dec 27 2021

**the complete valley of the kings tombs and treasures of egypt s** - Sep 04 2022

web conducted by a team of world acknowledged experts who provide the most up to date information this virtual guidebook to egypt s greatest treasures is the perfect mix of

*the complete valley of the kings tombs and treasures o* - May 12 2023

web mar 16 2010 the complete valley of the kings tombs and treasures of egypt s greatest pharaohs nicholas reeves and richard h wilkinson

**the complete valley of the kings tombs and treasures of** - Feb 09 2023

web the complete valley of the kings tombs and treasures of egypt s greatest pharaohs nicholas reeves richard h wilkinson amazon com tr kitap

what is an sap co module how does the sap controlling - Aug 17 2023

web jul 9 2020 activity based costing profitability analysis copa sap controlling module faq what is an sap co module how can i learn sap co module what is the difference between sap fi and co sap co module process flow sap co process flow an sap controlling module consists of various sub modules each sub module has its own

**sap controlling udemy** - Aug 05 2022

web description sap is the biggest global player in erp space sap controlling is the most sought after module learn sap controlling business process configuration testing and various sap controlling concepts

**controlling with sap erp business user guide sap press** - May 14 2023

web master your daily tasks and transactions in sap erp controlling follow step by step instructions for reporting planning and budgeting actual postings and period close learn how sap hana and sap fiori improve your co processes 3rd edition updated for ehp 8

**controlling with sap s 4hana business user guide sap press** - Jul 16 2023

web perform your key tasks in the new environment with this user guide get click by click instructions for your daily and monthly overhead controlling tasks and then dive deeper into processes such as make to stock and make to order scenarios margin analysis and investment management

**sap help portal** - Feb 28 2022

web sap hana platform sap hana administration guide for sap hana platform system administration starting and stopping sap hana systems starting and stopping systems with sapcontrol

**sap help portal** - Apr 13 2023

web welcome to the sap help portal browse the complete list of sap products to jump to the documentation you need browse all products enterprise resource planning sap s 4hana cloud public edition sap s 4hana cloud private edition sap erp financial management erp for small and midsize enterprises financial planning and analysis

manual changes to the standard price sap help portal - Feb 11 2023

web manual changes to the standard price controlling co 2020 fps01 feb 2021 available versions 2023 latest 2022 latest 2022 fps01 feb 2023 2022 oct 2022 to mark this page as a favorite you need to log in

**sap controlling a complete overview on sap controlling hkr** - Apr 01 2022

web nov 7 2023 sap controlling co a complete guide sap co overview sap co is also a very important functional module that helps an organization manage and configure the master data about profit and cost center co also enables businesses to optimize monitor and coordinate all the processes

*sap library sap portfolio and project management sap* - Jul 04 2022

web controlling cockpit single object controlling for internal orders multilevel controlling manual creation of the controlling structure automatic creation of the controlling structure integration with supplier relationship management control plan work with documents in project management integration with cfolders

what you should know about controlling in sap s 4hana part 1 - Mar 12 2023

web apr 23 2020 what you should know about controlling in sap s 4hana part 1 23 114 48 707 updated as of sap s 4hana release 1909 as a controlling consultant i was very excited about the evolution of sap erp central component ecc to sap s 4hana since the first release i was asking myself

*sap erp controlling user guide to sap co book and e book by sap* - Oct 07 2022

web retrieve step by step instructions to routine aco tasks manager master data creating accounts conducting postings and executing period close masterful your co

**sap controlling co components 1 detailed guide skillstek** - Nov 08 2022

web jun 5 2021 sap controlling is one of the functional modules of sap that deals with the cost calculation cost analysis cost planning and overhead management of the business as you must know there are two types of reporting in any business i e external reporting and internal reporting

controlling co sap help portal - Oct 19 2023

web download pdf share controlling co on this page use integration features use controlling provides you with information for management decision making it facilitates coordination monitoring and optimization of all processes in an organization

*sap process control* - Jan 10 2023

web 1 introduction to sap process control sap process control is an enterprise software solution for compliance and policy management the you are now able to add a manual control performance link to an email notification template in notification

sap co tutorial sap controlling co training tutorials - Sep 06 2022

web sap co controlling is a function that provides you with information for company management decision making sap co facilitates coordination monitoring and optimization of all processes in an organization learn sap co module step by step from basics to advanced concepts with real time controlling project scenarios

sap library controlling co sap online help - Sep 18 2023

web controlling co controlling provides you with information for management decision making it facilitates coordination monitoring and optimization of all processes in an organization this involves recording both the consumption of production factors and the services provided by an organization

unlocking the value of manual control performance sap blogs - May 02 2022

web oct 13 2022 manual control performance mcp is a functionality of sap grc process controls module that allows an organization to centrally manage their internal controls as a single centralized repository for all the steps involved during the collection of evidences and issue management pain points

**controlling user manual prepared by vishnu murthy n** - Jun 03 2022

web sap erp financials and fico handbook nonit nanda download free pdf view pdf

**sap controlling sap co copa sap press books and e** - Jun 15 2023

web learn all about controlling with sap with these books from the leading sap publisher explore profitability analysis the material ledger sap co and more

*techniques for supporting manual planning sap help portal* - Dec 09 2022

web techniques for supporting manual planning planning multiple valuation approaches in more than one version flexible selection of planning screens distribution keys planning screen layout integrated excel in planning utilities plan periodic allocations budget availability control

**developing skills in algebra book a free answers mathmusic org** - Jul 01 2023

web if you actually have help with algebra and in particular with developing skills in algebra book a free answers or negative exponents come pay a visit to us at mathmusic org we keep a great deal of good reference material on subject areas ranging from the quadratic formula to syllabus for intermediate algebra

**developing skills in algebra book c answer key developing skills** - Jun 19 2022

web graph inequality com delivers helpful tip on developing special in algebra book c answer key a quadratic and solving systems and other math topics in the event that thou require guidelines on real amounts or even equations and inequalities graph inequality com is really the best place to had a show by

*developing skills in algebra devine google sites* - Oct 04 2023

web mar 2 2017 developing skills in algebra devine math pre algebra placement developing skills in algebra linked below are practice sheets for algebra skills the answer key in

*factoring developing skills in algebra book b answers* - Dec 26 2022

web no problem factor in algebra demystified second edition and multiply your chances of learning this important branch of mathematics written in a step by step format this practical guide covers fractions variables decimals negative

*developing skills in algebra book c pocketmath net* - Oct 24 2022

web pocketmath net gives invaluable material on developing skills in algebra book c multiplying and dividing rational and operations and other algebra topics in cases where you need to have help on inequalities or perhaps solving systems

pocketmath net is undoubtedly the excellent place to take a look at

**answers to developing skills in algebra book a rational** - Jul 21 2022

web answers to developing skills in algebra book a home rational expressions graphs of rational functions solve two step equations multiply dividing exponents square roots and solving equations linearequations solving a quadratic equation systems of linear equations introduction equations and inequalities solving 2nd degree equations

*developing skills in algebra b answers pdf helpdesk bricksave* - May 31 2023

web developing skills for the high school equivalency examination ged in mathematics math challenge i b counting and probability the massachusetts register developing skills in algebra b answers downloaded from helpdesk bricksave com by guest kerr christine reet level i teacher exam 2022 class i v 15 practice sets cengage

*factoring developing skills in algebra book b answers* - May 19 2022

web start getting this info acquire the factoring developing skills in algebra book b answers link that we offer here and check out the link you could buy lead factoring developing skills in algebra book b answers or get it as soon as feasible

*developing skills in algebra b answers pdf uniport edu* - Aug 22 2022

web jul 9 2023 developing skills in algebra b answers 1 7 downloaded from uniport edu ng on july 9 2023 by guest developing skills in algebra b answers eventually you will agreed discover a additional experience and execution by spending more cash nevertheless when accomplish you acknowledge that you require to get those every

*developing skills in algebra key pdf google sheets* - Sep 03 2023

web developing skills in algebra key pdf google sheets loading

**developing skills in algebra book a answer key algebra net com** - Apr 29 2023

web developing skills in algebra book a answer key try the free math solver or scroll down to resources expression equation inequality contact us simplify factor expand gcd lcm enter expression  $e g x^2 y^2 x y$  sample problem simplify our users i have been using algebra professor and it has helped a great deal

**free pdf download developingskillsinalgebrabfactoring** - Feb 25 2023

web developing skills in algebra one jul 30 2023 from two experienced teachers here are four books of problems that follow the school year activities include order of operations signed number factoring quadratic formula linear

*factoring developing skills in algebra b answers jan fair book* - Sep 22 2022

web we give factoring developing skills in algebra b answers and numerous books collections from fictions to scientific research in any way among them is this factoring developing skills in algebra b answers that can be your partner intermediate algebra ron larson 2008 11 11 larson is student success intermediate algebra owes its

*developing skills in algebra b answers pdf vincent c alfonso* - Mar 29 2023

web jun 24 2023 developing skills in algebra b answers pdf right here we have countless book developing skills in algebra b answers pdf and collections to check out we additionally meet the expense of variant types and furthermore type of the books to browse

developing skills in algebra book c answers - Mar 17 2022

web in the case you have to have guidance with math and in particular with developing skills in algebra book c answers or numerical come pay a visit to us at algebra1help com we provide a huge amount of excellent reference material on topics starting from division to inverse free algebra

*developing skills in algebra b answers copy uniport edu* - Feb 13 2022

web aug 27 2023 developing skills in algebra b answers 1 7 downloaded from uniport edu ng on august 27 2023 by guest developing skills in algebra b answers yeah reviewing a book developing skills in algebra b answers could mount up your close connections listings this is just one of the solutions for you to be successful as

**ebook developing skills in algebra b factoring** - Jan 27 2023

web developing skills in algebra one apr 15 2022 from two experienced teachers here are four books of problems that follow the school year activities include order of operations signed number factoring quadratic formula linear

developing skills in algebra b answers pdf ai classmonitor - Nov 24 2022

web 2 developing skills in algebra b answers 2023 08 28 the math challenge curriculum textbook series is designed to help students learn the fundamental mathematical concepts and

[factoring developing skills in algebra book b answers book](#) - Apr 17 2022

web this factoring developing skills in algebra book b answers as one of the most operating sellers here will extremely be in the midst of the best options to review the education index 1986 algebra a very short introduction peter m higgins 2015 10 22 algebra marked the beginning of modern mathematics moving it beyond

[answer key for developing skills in algebra book b pdf](#) - Aug 02 2023

web answer key for developing skills in algebra book b the enigmatic realm of answer key for developing skills in algebra book b unleashing the language is inner magic in a fast paced digital era where connections and knowledge intertwine the enigmatic realm of language reveals its inherent magic