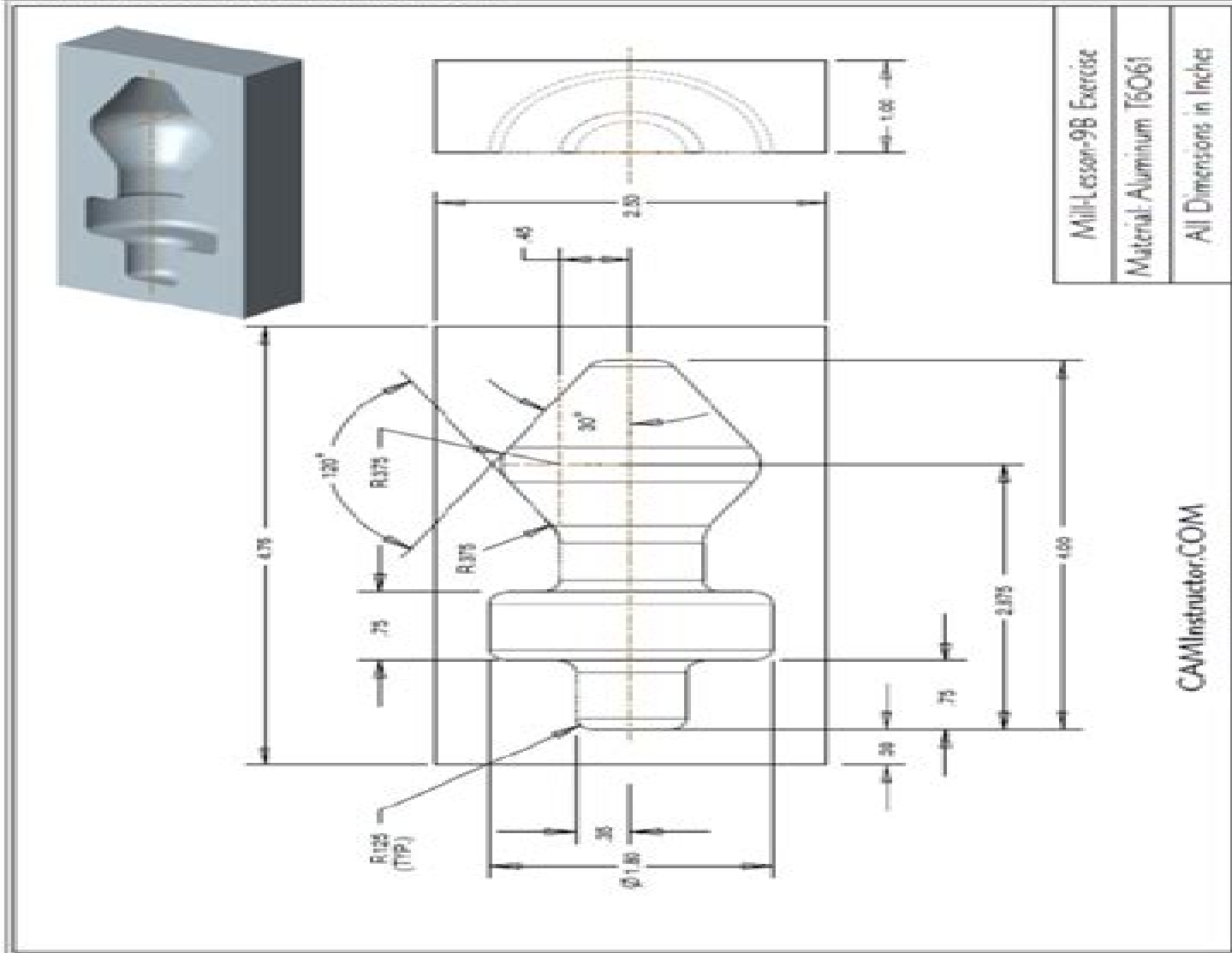


MILL-LESSON-9-EXERCISE-B



# [Mastercam Training Guide Wire Pdf Download](#)

**L Manion**



**Mastercam Training Guide Wire Pdf Download:**

Ignite the flame of optimism with is motivational masterpiece, Fuel Your Spirit with **Mastercam Training Guide Wire Pdf Download** . In a downloadable PDF format ( PDF Size: \*), this ebook is a beacon of encouragement. Download now and let the words propel you towards a brighter, more motivated tomorrow.

[https://py.bijouxmedusa.com/results/Resources/default.aspx/principles\\_of\\_metal\\_casting.pdf](https://py.bijouxmedusa.com/results/Resources/default.aspx/principles_of_metal_casting.pdf)

## **Table of Contents Mastercam Training Guide Wire Pdf Download**

1. Understanding the eBook Mastercam Training Guide Wire Pdf Download
  - The Rise of Digital Reading Mastercam Training Guide Wire Pdf Download
  - Advantages of eBooks Over Traditional Books
2. Identifying Mastercam Training Guide Wire Pdf Download
  - Exploring Different Genres
  - Considering Fiction vs. Non-Fiction
  - Determining Your Reading Goals
3. Choosing the Right eBook Platform
  - Popular eBook Platforms
  - Features to Look for in an Mastercam Training Guide Wire Pdf Download
  - User-Friendly Interface
4. Exploring eBook Recommendations from Mastercam Training Guide Wire Pdf Download
  - Personalized Recommendations
  - Mastercam Training Guide Wire Pdf Download User Reviews and Ratings
  - Mastercam Training Guide Wire Pdf Download and Bestseller Lists
5. Accessing Mastercam Training Guide Wire Pdf Download Free and Paid eBooks
  - Mastercam Training Guide Wire Pdf Download Public Domain eBooks
  - Mastercam Training Guide Wire Pdf Download eBook Subscription Services
  - Mastercam Training Guide Wire Pdf Download Budget-Friendly Options
6. Navigating Mastercam Training Guide Wire Pdf Download eBook Formats

- ePub, PDF, MOBI, and More
  - Mastercam Training Guide Wire Pdf Download Compatibility with Devices
  - Mastercam Training Guide Wire Pdf Download Enhanced eBook Features
7. Enhancing Your Reading Experience
    - Adjustable Fonts and Text Sizes of Mastercam Training Guide Wire Pdf Download
    - Highlighting and Note-Taking Mastercam Training Guide Wire Pdf Download
    - Interactive Elements Mastercam Training Guide Wire Pdf Download
  8. Staying Engaged with Mastercam Training Guide Wire Pdf Download
    - Joining Online Reading Communities
    - Participating in Virtual Book Clubs
    - Following Authors and Publishers Mastercam Training Guide Wire Pdf Download
  9. Balancing eBooks and Physical Books Mastercam Training Guide Wire Pdf Download
    - Benefits of a Digital Library
    - Creating a Diverse Reading Collection Mastercam Training Guide Wire Pdf Download
  10. Overcoming Reading Challenges
    - Dealing with Digital Eye Strain
    - Minimizing Distractions
    - Managing Screen Time
  11. Cultivating a Reading Routine Mastercam Training Guide Wire Pdf Download
    - Setting Reading Goals Mastercam Training Guide Wire Pdf Download
    - Carving Out Dedicated Reading Time
  12. Sourcing Reliable Information of Mastercam Training Guide Wire Pdf Download
    - Fact-Checking eBook Content of Mastercam Training Guide Wire Pdf Download
    - Distinguishing Credible Sources
  13. Promoting Lifelong Learning
    - Utilizing eBooks for Skill Development
    - Exploring Educational eBooks
  14. Embracing eBook Trends
    - Integration of Multimedia Elements
    - Interactive and Gamified eBooks

## **Mastercam Training Guide Wire Pdf Download Introduction**

In this digital age, the convenience of accessing information at our fingertips has become a necessity. Whether its research papers, eBooks, or user manuals, PDF files have become the preferred format for sharing and reading documents. However, the cost associated with purchasing PDF files can sometimes be a barrier for many individuals and organizations. Thankfully, there are numerous websites and platforms that allow users to download free PDF files legally. In this article, we will explore some of the best platforms to download free PDFs. One of the most popular platforms to download free PDF files is Project Gutenberg. This online library offers over 60,000 free eBooks that are in the public domain. From classic literature to historical documents, Project Gutenberg provides a wide range of PDF files that can be downloaded and enjoyed on various devices. The website is user-friendly and allows users to search for specific titles or browse through different categories. Another reliable platform for downloading Mastercam Training Guide Wire Pdf Download free PDF files is Open Library. With its vast collection of over 1 million eBooks, Open Library has something for every reader. The website offers a seamless experience by providing options to borrow or download PDF files. Users simply need to create a free account to access this treasure trove of knowledge. Open Library also allows users to contribute by uploading and sharing their own PDF files, making it a collaborative platform for book enthusiasts. For those interested in academic resources, there are websites dedicated to providing free PDFs of research papers and scientific articles. One such website is Academia.edu, which allows researchers and scholars to share their work with a global audience. Users can download PDF files of research papers, theses, and dissertations covering a wide range of subjects. Academia.edu also provides a platform for discussions and networking within the academic community. When it comes to downloading Mastercam Training Guide Wire Pdf Download free PDF files of magazines, brochures, and catalogs, Issuu is a popular choice. This digital publishing platform hosts a vast collection of publications from around the world. Users can search for specific titles or explore various categories and genres. Issuu offers a seamless reading experience with its user-friendly interface and allows users to download PDF files for offline reading. Apart from dedicated platforms, search engines also play a crucial role in finding free PDF files. Google, for instance, has an advanced search feature that allows users to filter results by file type. By specifying the file type as "PDF," users can find websites that offer free PDF downloads on a specific topic. While downloading Mastercam Training Guide Wire Pdf Download free PDF files is convenient, its important to note that copyright laws must be respected. Always ensure that the PDF files you download are legally available for free. Many authors and publishers voluntarily provide free PDF versions of their work, but its essential to be cautious and verify the authenticity of the source before downloading Mastercam Training Guide Wire Pdf Download. In conclusion, the internet offers numerous platforms and websites that allow users to download free PDF files legally. Whether its classic literature, research papers, or magazines, there is something for everyone. The platforms mentioned in this article, such as Project Gutenberg, Open Library, Academia.edu, and Issuu,

provide access to a vast collection of PDF files. However, users should always be cautious and verify the legality of the source before downloading Mastercam Training Guide Wire Pdf Download any PDF files. With these platforms, the world of PDF downloads is just a click away.

### **FAQs About Mastercam Training Guide Wire Pdf Download Books**

How do I know which eBook platform is the best for me? Finding the best eBook platform depends on your reading preferences and device compatibility. Research different platforms, read user reviews, and explore their features before making a choice. Are free eBooks of good quality? Yes, many reputable platforms offer high-quality free eBooks, including classics and public domain works. However, make sure to verify the source to ensure the eBook credibility. Can I read eBooks without an eReader? Absolutely! Most eBook platforms offer web-based readers or mobile apps that allow you to read eBooks on your computer, tablet, or smartphone. How do I avoid digital eye strain while reading eBooks? To prevent digital eye strain, take regular breaks, adjust the font size and background color, and ensure proper lighting while reading eBooks. What the advantage of interactive eBooks? Interactive eBooks incorporate multimedia elements, quizzes, and activities, enhancing the reader engagement and providing a more immersive learning experience. Mastercam Training Guide Wire Pdf Download is one of the best book in our library for free trial. We provide copy of Mastercam Training Guide Wire Pdf Download in digital format, so the resources that you find are reliable. There are also many Ebooks of related with Mastercam Training Guide Wire Pdf Download. Where to download Mastercam Training Guide Wire Pdf Download online for free? Are you looking for Mastercam Training Guide Wire Pdf Download PDF? This is definitely going to save you time and cash in something you should think about.

### **Find Mastercam Training Guide Wire Pdf Download :**

**principles of metal casting**

**practice of statistics test answer key**

[principles of property 745 and pecuniary insurance](#)

[prentice hall world history chapter 23](#)

**principles of macroeconomics study**

*princess smartypants*

[princess of the damned dahlia lu pdf](#)

principles of marketing 13th edition a south asian perspective

**probability statistics for engineering the sciences 7th**

princess academy palace of stone itlifeore

*principles of computer security comptia security and beyond lab manual second edition comptia authorized*

**previous question paper grade11 life orientation**

*principios de genetica gardner pdf*

**principles and practice of american politics classic and contemporary readings 5th edition principles practice of american politics**

**project management for mining handbook for delivering project success**

**Mastercam Training Guide Wire Pdf Download :**

**will shakespeare and the pirate s fire overdrive** - Dec 07 2022

web jun 10 2010 when will gets mixed up in poaching his father sends him away from stratford in a band of travelling actors on the outskirts of london a fierce storm forces them to take refuge at the house of doctor dee queen elizabeth i s astrologer while there they get caught up in a plot involving piracy magic and the secret of the devil s fire

**will shakespeare and the pirate s fire paperback** - Mar 30 2022

web will shakespeare and the pirate s fire robert j harris 9780007194247 books amazon ca skip to main content ca hello select your address books hello sign in account lists returns orders cart all best sellers

[will shakespeare and the pirate s fire robert j harris скачать](#) - Oct 05 2022

web in litres digital library you can download the book will shakespeare and the pirate s fire by robert j harris read reviews of the book and write your own at litres litres

**will shakespeare and the pirate s fire amazon com** - Apr 11 2023

web jul 3 2006 will shakespeare and the pirate s fire harris robert j on amazon com free shipping on qualifying offers will shakespeare and the pirate s fire

**will shakespeare and the pirate s fire by robert j harris** - Dec 27 2021

web will shakespeare and the pirate s fire young legends robert j harris missing page info first pub 2008 isbn uid none format not specified language english publisher not specified publication date not specified fiction childrens adventurous fast paced to read read currently reading

*will shakespeare and the pirate s fire bookmate* - Jan 08 2023

web read will shakespeare and the pirate s fire by robert harris online on bookmate get ready for thrills intrigues mystery

and piracy all set in tudor england and featuring a young man named will

**will shakespeare and the pirate s fire harris robert j 1955** - Jul 14 2023

web fleeing stratford with a band of travelling players he is catapulted into a breathtaking adventure with would be wizard john dee dashing explorer walter raleigh and a mysterious stranger known only as maddie as spies and cut throats pursue him will must save england from a fiendish plot and confront the deadly menace of the devil s fire

**will shakespeare and the pirate s fire amazon co uk** - May 12 2023

web jul 3 2006 on the outskirts of london a fierce storm forces them to take refuge at the house of doctor dee queen elizabeth i s astrologer while there they get caught up in a plot involving piracy magic and the secret of the devil s fire

[will shakespeare and the pirate s fire anna s archive](#) - Jun 13 2023

web fleeing stratford with a band of travelling players he is catapulted into a breathtaking adventure with would be wizard john dee dashing explorer walter raleigh and a mysterious stranger known only as maddie as spies and cut throats pursue him will must save england from a fiendish plot and confront the deadly menace of the devil s fire

*will shakespeare and the pirate s fire anna s archive* - Jul 02 2022

web when will gets mixed up in poaching his father sends him away from stratford in a band of travelling actors on the outskirts of london a fierce storm forces them to take refuge at the house of doctor dee queen elizabeth i s astrologer while there they get caught up in a plot involving piracy magic and the secret of the devil s fire

[will shakespeare and the pirate s fire amazon in](#) - Jun 01 2022

web select the department you want to search in

**will shakespeare and the pirate s fire abebooks** - Aug 03 2022

web will shakespeare and the pirate s fire by harris at abebooks co uk isbn 10 0007194242 isbn 13 9780007194247

harpercollins children s fiction 2006 softcover

[will shakespeare and the pirate s fire harpercollins publishers](#) - Mar 10 2023

web get ready for thrills intrigues mystery and piracy all set in tudor england and featuring a young man named will shakespeare i d give anything for a good horse right now says young will shakespeare when will gets mixed up in poaching his father sends him away from stratford in a band of tr

[will shakespeare and the pirate s fire](#) - Feb 09 2023

web get ready for thrills intrigues mystery and piracy all set in tudor england and featuring a young man named will shakespeare i d give anything for a good horse right now says young will shakespeare when will gets mixed up in poaching his father sends him away from stratford in a band of travelling actors

*will shakespeare and the pirate s fire softcover abebooks* - Jan 28 2022

web abebooks com will shakespeare and the pirate s fire 9780007194247 by harris robert j and a great selection of similar new used and collectible books available now at great prices will shakespeare and the pirate s fire harris robert j 9780007194247

**will shakespeare and the pirate s fire on thebookseekers** - Feb 26 2022

web all about will shakespeare and the pirate s fire including suggestions for what to read next thebookseekers get ready for thrills intrigues mystery and piracy all set in tudor england and featuring a young man named will shakespeare [will shakespeare and the pirate s fire harpercollins australia](#) - Nov 06 2022

web when will gets mixed up in poaching his father sends him away from stratford in a band of travelling actors on the outskirts of london a fierce storm forces them to take refuge at the house of doctor dee queen elizabeth i s astrologer while there they get caught up in a plot involving piracy magic and the secret of the devil s fire

[wil shakespeare and the pirate s fire amazon com au](#) - Apr 30 2022

web get ready for thrills intrigues mystery and piracy all set in tudor england and featuring a young man named will shakespeare i d give anything for a good horse right now says young will shakespeare

[will shakespeare and the pirate s fire by robert j harris](#) - Sep 04 2022

web i d give anything for a good horse right now says young will shakespeare when will gets mixed up in poaching his father sends him away from stratford in a band of travelling actors on the outskirts of london a fierce storm forces them to take refuge at the house of doctor dee queen elizabeth i s astrologer

[will shakespeare and the pirate s fire goodreads](#) - Aug 15 2023

web feb 11 2008 the book will shakespeare and the pirates fire is about an adventure of a teenage boy named will shakespeare he is the main character as the book name is after his he travels from his hometown of stratford to london and his journey is one to be remembered he has encounters with pirates traitors and much more along the way

[yamaha outboard service manual pc3 pdf static techniqueservices](#) - Jul 16 2023

web yamaha outboard service manual pc3 2019 12 10 5 10 yamaha outboard service manual pc3 outboard motor service manual 1987 outboard motors below 30 horsepower produced from 1955 1968 old outboard motor service manual vol 1 covering motors below 30 horsepower prior to 1969 1983

**yamaha outboard service manual pc3 2023** - Feb 28 2022

web yamaha outboard service manual pc3 as recognized adventure as skillfully as experience nearly lesson amusement as skillfully as covenant can be gotten by just checking out a book yamaha outboard service manual pc3 plus it is not directly done you could resign yourself to even more regarding this life vis vis the world

**yamaha outboard service manual pc3 pdf free support ortax** - Aug 05 2022

web yamaha outboard service manual pc3 pdf introduction yamaha outboard service manual pc3 pdf free congressional edition volume 6892 united states congress 2015 10 07 this work has been selected by scholars as being culturally important and is part of the knowledge base of civilization as we know it

**yamaha outboard service manual pc3 pdf** - Dec 09 2022

web yamaha outboard service manual pc3 proceedings feb 05 2020 direct support and general support maintenance manual aug 05 2022 organizational direct support and general support maintenance manual including repair parts and special tools list for control display receiver c 10935 mlq 34 part number 5051610 1 nsn 5865 01 109

**downloadable free pdfs yamaha outboard service manual pc3** - Sep 06 2022

web enthusiasts keep outboard running for yamaha f115a service manual pdf download manualslib dec 29 2022 web view and download yamaha f115a service manual online f115a outboard motor pdf manual download also for f115y f115a lf115y f115y evinrude service manual free download boat yacht manuals sep 13 2021

**yamaha outboard service manual pc3 2023** - Jun 03 2022

web its about what you dependence currently this yamaha outboard service manual pc3 as one of the most vigorous sellers here will utterly be among the best options to review manual on classification of motor vehicle traffic accidents american national standard 2007 08 02 the primary purpose of the manual of classification of motor vehicle traffic

yamaha outboard service manual pc3 pdf pdf support ortax - May 02 2022

web yamaha outboard service manual pc3 pdf introduction yamaha outboard service manual pc3 pdf pdf outboard motor service manual 1983 ciarcia s circuit cellar steve ciarcia 1985 sounds like teen spirit tim english 2007 10 a fun read that ll have you replaying the songs in your mind and on your stereo

*maintenance yamaha outboards* - Jun 15 2023

web maintenance my yamaha outboard app owner resources propellers rigging may i do my own maintenance may i start the engine out of water may i use automotive oils in my four stroke yamaha outboard may i use synthetic oil what is a master technician what is my warranty on genuine yamaha parts and accessories

*yamaha outboard service manual pc3 anonymous harvard* - Apr 01 2022

web yamaha outboard service manual pc3 if you ally obsession such a referred yamaha outboard service manual pc3 books that will have the funds for you worth acquire the enormously best seller from us currently from several preferred authors if you want to comical books lots of novels tale jokes and more fictions collections are in addition to

yamaha outboard service repair manuals pdf - Mar 12 2023

web purchase yamaha f50f ft50g f60c ft60d outboard service repair manual this highly detailed repair manual covers all repairs and servicing all technical details taken directly from the manufacturer can be found in this manual it is the factory

[yamaha outboard service manual pc3 pdf](#) - Oct 07 2022

web download yamaha outboard service manual pc3 yamaha 25j 30d 25x 30x outboard service repair workshop manual download 1990 yamaha 30 hp outboard service repair

[yamaha outboard service manual pc3 mail02 visual paradigm](#) - Nov 08 2022

web download yamaha outboard service manual pc3 yamaha outboard motor service and repair manuals 1995 2006 yamaha manual store how to use the yamaha outboard parts schematic yamaha outboard service manual download f115 2000 2009 yamaha 100 hour service step by step yamaha outboard annual service

**yamaha outboard motor user manuals download manualslib** - Feb 11 2023

web download 1630 yamaha outboard motor pdf manuals user manuals yamaha outboard motor operating guides and service manuals

[yamaha outboard service repair manuals pdf](#) - Oct 19 2023

web yamaha e40g j service manual en pdf 8 3mb download yamaha e60h service manual en pdf 16 8mb download yamaha e60hmhd hwhd hwd eh mh service manual en pdf 8 7mb download yamaha e8d owner s manual en pdf 2 6mb

[owners manuals yamaha outboards](#) - Sep 18 2023

web owner s manuals hard copies of owner and service manuals available for purchase here buy a manual enter your primary id to view your owner manual the primary id is located on your outboard s serial number label and on

**yamaha outboard repair manual** - May 14 2023

web 1995 1999 yamaha 70hp repair manual 2000 2004 yamaha 70hp repair manual 2005 2010 yamaha 70hp 70c repair manual 1996 2002 yamaha 2hp repair manual all models 2003 2011 yamaha 2 5hp repair manual all models 1996 2002 yamaha 3hp repair manual all models 1996 2009 yamaha 4hp repair manual all models 1996

[shop yamaha service manuals owners manuals yamaha](#) - Apr 13 2023

web we stock a complete range of yamaha oem parts and yamaha outboard manuals including yamaha operational manuals outboard engines rigging controls yamaha outboard service manuals yamaha outboard engine owners manuals yamaha outboard technical guides

**yamaha manual store** - Aug 17 2023

web official yamaha online manual site don t settle for anything less help protect your investment by using genuine yamaha manuals previous next find your manual enter your the outboard code is located on the outboard s serial number label

[yamaha outboard service repair manuals emanualonline](#) - Jan 10 2023

web yamaha 1998 2006 40hp 40 hp service manual outboard 28 99 items 1 24 of 13253 page 1 553 the yamaha corporation of japan is a diverse company that makes exceptional products across various industries and market segments it is listed on

the tokyo stock exchange tse and part of tse s nikkei 225 index

*yamaha outboard service manual pc3 download only* - Jul 04 2022

web yamaha outboard service manual pc3 security assistance management manual samm letter of transmittal october 1 1988

jun 17 2021 direct support and general support maintenance manual mar 07 2023

full version evil has a name the untold story of the golden - Jun 13 2023

web oct 26 2020 could it be that evil finally had a name delivering all new details about the investigation and a stunning final act to the events of michelle mcnamara s haunting bestseller i ll be gone in the dark this is the true story of how the suspected golden state killer was captured as told first hand by those closest to the case paul holes the

**evil has a name the untold story of the golden state killer** - Mar 30 2022

web get the full version of this audiobook audiobookscld.com b07h7ryq5pevil has a name the untold story of the golden state killer investigationthe g

**evil has a name the untold story of the golden state killer reddit** - Dec 07 2022

web the east area rapist original night stalker aka golden state killer has been identified as joseph james deangelo jr he committed at least 13 murders 50 rapes and 120 burglaries in california between 1973 and 1986

**evil has a name the untold story of the golden state bookclubs** - Feb 09 2023

web evil has a name the untold story of the golden state killer investigation by jim clemente paul holes and peter mcdonnell

*evil has a name the untold story of the golden state killer* - Jul 02 2022

web 3 7k views 15 likes 2 loves 3 comments 1 shares facebook watch videos from audible get inside the mind of a suspected serial killer as told by detectives on the case hear evil has a name

*evil has a name the untold story of the golden state killer* - Apr 30 2022

web amazingly it seemed evil finally had a name delivering all new details about the investigation and a stunning final act to the events of michelle mcnamara s haunting best seller i ll be gone in the dark this is the true story of how the suspected golden state killer was captured as told first hand by those closest to the case

*evil has a name the unto yumpu* - Jun 01 2022

web apr 16 2022 and while numerous police sketches tried to capture his often masked visage the golden state killer spent more than 40 years not only faceless but nameless for his victims for their families and for the investigators tasked with finding him the sensele download evil has a name the untold story of the golden state killer

evil has a name the untold story of the golden state killer investigation - Jul 14 2023

web evil has a name the untold story of the golden state killer investigation audible audiobook original recording paul holes author narrator jim clemente author narrator peter mcdonnell author audible originals publisher 1 more

[evil has a name audible com](#) - Mar 10 2023

web evil has a name the untold story of the golden state killer investigation by paul holes jim clemente peter mcdonnell narrated by paul holes jim clemente length 6 hrs and 13 mins

**evil has a name the untold story of the golden state killer** - Aug 15 2023

web the original night stalker the visalia ransacker the monster who preyed on californians from 1976 to 1986 was known by many aliases and while numerous police sketches tried to capture his often masked visage the golden state killer spent more than 40 years not only faceless but nameless

**evil has a name the untold story of the golden st download** - Dec 27 2021

web 2 evil has a name the untold story of the golden st 2020 05 23 evil has a name the untold story of the golden st 2020 05 23 santiago jairo many zondervan a serial killer is on the loose in new york city detective cliff durham has been the lead investigating officer on the case for the past five years six murders have already been

[evil has a name the untold story of the golden state killer](#) - Apr 11 2023

web apr 22 2021 could it be that evil finally had a name delivering all new details about the investigation and a stunning final act to the events of michelle mcnamara s haunting bestseller i ll be gone in the dark this is the true story of how the suspected golden state killer was captured as told first hand by those closest to the case

[how paul holes helped catch the golden state killer all that s](#) - Oct 05 2022

web jun 17 2020 since then holes has joined the united talent agency which manages his speaking engagements across the country he and clemente have co written evil has a name the untold story of the golden state killer investigation and holes has also launched his own podcast the murder squad with investigative journalist billy jensen

[loading interface goodreads](#) - Aug 03 2022

web discover and share books you love on goodreads

**get pdf download evil has a name the untold story of the golden** - Feb 26 2022

web apr 16 2022 evil has a name the untold story of the golden state killer investigation copy link in description to download this book the golden state killer the east area rapist the original night stalker the visalia ransacker the monster who preyed on californians from 1976 to 1986 was known by many aliases

*evil has a name the untold story of the golden state killer* - May 12 2023

web evil has a name the untold story of the golden state killer investigation audio download paul holes jim clemente peter mcdonnell paul holes jim clemente audible originals amazon co uk audible books originals

[evil has a name the untold story of the golden state killer](#) - Jan 28 2022

web sep 3 2021 evil has a name the untold story of the golden state killer investigation by paul holes free download full

book download pdf evil has a name the untold story of the golden state killer

**evil has a name the untold story of the golden state killer** - Jan 08 2023

web the monster who preyed on californians from 1976 to 1986 was known by many aliases and while numerous police sketches tried to capture his often masked visage the golden state killer spent more than 40 years not only faceless but nameless

amazon com customer reviews evil has a name the untold story - Nov 06 2022

web find helpful customer reviews and review ratings for evil has a name the untold story of the golden state killer

investigation at amazon com read honest and unbiased product reviews from our users

books similar to evil has a name the untold story of the golden - Sep 04 2022

web find books like evil has a name the untold story of the golden state killer investigation from the world s largest community of readers goodreads membe