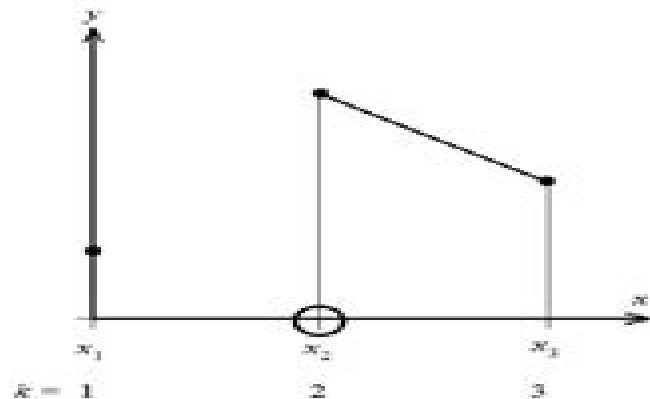


## ME 1020: ENGINEERING PROGRAMMING WITH MATLAB FINAL EXAM

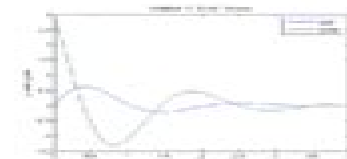
**Open Book, Closed Notes, Do Not Write on this Sheet**  
**Create a Separate MATLAB Script File for Each Problem**  
**Submit all MATLAB files (.m) to Dr. Thomas**  
**Each MATLAB File Must Have the Following Header:**

```
1 % Final Exam, ME 1020, Spring 2016, Your Name Here
2 clc, clear all, close all
```

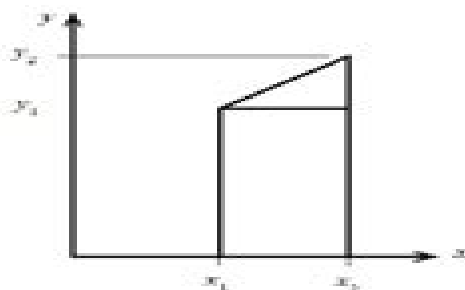
**Problem 1 (4 Points):** Create a MATLAB script file to calculate and plot the derivative of the function  $y(x) = e^{-x} \sin(3x)$  from  $0 \leq x \leq 4$  using the Forward Difference Method described in class (shown below). You must use a for loop to solve this problem. Provide a plot title and labels for the axes. Use 101 points from  $x = 0$  to  $x = 4$ .



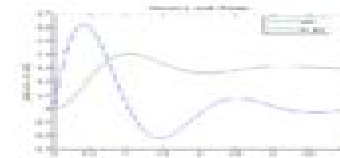
$$\left. \frac{dy}{dx} \right|_{x_2} = \frac{y_3 - y_2}{x_3 - x_2}$$



**Problem 2 (4 Points):** Create a MATLAB script file to calculate and plot the integral of the function  $y(x) = e^{-x} \sin(3x)$  from  $0 \leq x \leq 4$  using the Trapezoidal Method described in class (shown below). You must use a for loop to solve this problem. Provide a plot title and labels for the axes. Use 101 points from  $x = 0$  to  $x = 4$ .



$$A_{\text{trapezoid}} = \frac{1}{2} (x_2 - x_1) (y_1 + y_2)$$



# Matlab Final Exam And Answers

**Lei Shi**



## **Matlab Final Exam And Answers:**

Thank you for downloading **Matlab Final Exam And Answers**. Maybe you have knowledge that, people have search hundreds times for their chosen novels like this Matlab Final Exam And Answers, but end up in malicious downloads. Rather than enjoying a good book with a cup of coffee in the afternoon, instead they cope with some harmful bugs inside their laptop.

Matlab Final Exam And Answers is available in our book collection an online access to it is set as public so you can download it instantly.

Our digital library saves in multiple locations, allowing you to get the most less latency time to download any of our books like this one.

Kindly say, the Matlab Final Exam And Answers is universally compatible with any devices to read

[https://py.bijouxmedusa.com/files/uploaded-files/index.jsp/Science\\_Careers\\_Tutorial\\_For\\_Entrepreneurs\\_98\\_2762\\_Digital\\_Marketing.pdf](https://py.bijouxmedusa.com/files/uploaded-files/index.jsp/Science_Careers_Tutorial_For_Entrepreneurs_98_2762_Digital_Marketing.pdf)

## **Table of Contents Matlab Final Exam And Answers**

1. Understanding the eBook Matlab Final Exam And Answers
  - The Rise of Digital Reading Matlab Final Exam And Answers
  - Advantages of eBooks Over Traditional Books
2. Identifying Matlab Final Exam And Answers
  - Exploring Different Genres
  - Considering Fiction vs. Non-Fiction
  - Determining Your Reading Goals
3. Choosing the Right eBook Platform
  - Popular eBook Platforms
  - Features to Look for in an Matlab Final Exam And Answers
  - User-Friendly Interface
4. Exploring eBook Recommendations from Matlab Final Exam And Answers

- Personalized Recommendations
- Matlab Final Exam And Answers User Reviews and Ratings
- Matlab Final Exam And Answers and Bestseller Lists
- 5. Accessing Matlab Final Exam And Answers Free and Paid eBooks
  - Matlab Final Exam And Answers Public Domain eBooks
  - Matlab Final Exam And Answers eBook Subscription Services
  - Matlab Final Exam And Answers Budget-Friendly Options
- 6. Navigating Matlab Final Exam And Answers eBook Formats
  - ePub, PDF, MOBI, and More
  - Matlab Final Exam And Answers Compatibility with Devices
  - Matlab Final Exam And Answers Enhanced eBook Features
- 7. Enhancing Your Reading Experience
  - Adjustable Fonts and Text Sizes of Matlab Final Exam And Answers
  - Highlighting and Note-Taking Matlab Final Exam And Answers
  - Interactive Elements Matlab Final Exam And Answers
- 8. Staying Engaged with Matlab Final Exam And Answers
  - Joining Online Reading Communities
  - Participating in Virtual Book Clubs
  - Following Authors and Publishers Matlab Final Exam And Answers
- 9. Balancing eBooks and Physical Books Matlab Final Exam And Answers
  - Benefits of a Digital Library
  - Creating a Diverse Reading Collection Matlab Final Exam And Answers
- 10. Overcoming Reading Challenges
  - Dealing with Digital Eye Strain
  - Minimizing Distractions
  - Managing Screen Time
- 11. Cultivating a Reading Routine Matlab Final Exam And Answers
  - Setting Reading Goals Matlab Final Exam And Answers
  - Carving Out Dedicated Reading Time
- 12. Sourcing Reliable Information of Matlab Final Exam And Answers

- Fact-Checking eBook Content of Matlab Final Exam And Answers
  - Distinguishing Credible Sources
13. Promoting Lifelong Learning
- Utilizing eBooks for Skill Development
  - Exploring Educational eBooks
14. Embracing eBook Trends
- Integration of Multimedia Elements
  - Interactive and Gamified eBooks

### **Matlab Final Exam And Answers Introduction**

In the digital age, access to information has become easier than ever before. The ability to download Matlab Final Exam And Answers has revolutionized the way we consume written content. Whether you are a student looking for course material, an avid reader searching for your next favorite book, or a professional seeking research papers, the option to download Matlab Final Exam And Answers has opened up a world of possibilities. Downloading Matlab Final Exam And Answers provides numerous advantages over physical copies of books and documents. Firstly, it is incredibly convenient. Gone are the days of carrying around heavy textbooks or bulky folders filled with papers. With the click of a button, you can gain immediate access to valuable resources on any device. This convenience allows for efficient studying, researching, and reading on the go. Moreover, the cost-effective nature of downloading Matlab Final Exam And Answers has democratized knowledge. Traditional books and academic journals can be expensive, making it difficult for individuals with limited financial resources to access information. By offering free PDF downloads, publishers and authors are enabling a wider audience to benefit from their work. This inclusivity promotes equal opportunities for learning and personal growth. There are numerous websites and platforms where individuals can download Matlab Final Exam And Answers. These websites range from academic databases offering research papers and journals to online libraries with an expansive collection of books from various genres. Many authors and publishers also upload their work to specific websites, granting readers access to their content without any charge. These platforms not only provide access to existing literature but also serve as an excellent platform for undiscovered authors to share their work with the world. However, it is essential to be cautious while downloading Matlab Final Exam And Answers. Some websites may offer pirated or illegally obtained copies of copyrighted material. Engaging in such activities not only violates copyright laws but also undermines the efforts of authors, publishers, and researchers. To ensure ethical downloading, it is advisable to utilize reputable websites that prioritize the legal distribution of content. When downloading Matlab Final Exam And Answers, users should also consider the potential security risks associated with online

platforms. Malicious actors may exploit vulnerabilities in unprotected websites to distribute malware or steal personal information. To protect themselves, individuals should ensure their devices have reliable antivirus software installed and validate the legitimacy of the websites they are downloading from. In conclusion, the ability to download Matlab Final Exam And Answers has transformed the way we access information. With the convenience, cost-effectiveness, and accessibility it offers, free PDF downloads have become a popular choice for students, researchers, and book lovers worldwide. However, it is crucial to engage in ethical downloading practices and prioritize personal security when utilizing online platforms. By doing so, individuals can make the most of the vast array of free PDF resources available and embark on a journey of continuous learning and intellectual growth.

### **FAQs About Matlab Final Exam And Answers Books**

How do I know which eBook platform is the best for me? Finding the best eBook platform depends on your reading preferences and device compatibility. Research different platforms, read user reviews, and explore their features before making a choice. Are free eBooks of good quality? Yes, many reputable platforms offer high-quality free eBooks, including classics and public domain works. However, make sure to verify the source to ensure the eBook credibility. Can I read eBooks without an eReader? Absolutely! Most eBook platforms offer webbased readers or mobile apps that allow you to read eBooks on your computer, tablet, or smartphone. How do I avoid digital eye strain while reading eBooks? To prevent digital eye strain, take regular breaks, adjust the font size and background color, and ensure proper lighting while reading eBooks. What the advantage of interactive eBooks? Interactive eBooks incorporate multimedia elements, quizzes, and activities, enhancing the reader engagement and providing a more immersive learning experience. Matlab Final Exam And Answers is one of the best book in our library for free trial. We provide copy of Matlab Final Exam And Answers in digital format, so the resources that you find are reliable. There are also many Ebooks of related with Matlab Final Exam And Answers. Where to download Matlab Final Exam And Answers online for free? Are you looking for Matlab Final Exam And Answers PDF? This is definitely going to save you time and cash in something you should think about. If you trying to find then search around for online. Without a doubt there are numerous these available and many of them have the freedom. However without doubt you receive whatever you purchase. An alternate way to get ideas is always to check another Matlab Final Exam And Answers. This method for see exactly what may be included and adopt these ideas to your book. This site will almost certainly help you save time and effort, money and stress. If you are looking for free books then you really should consider finding to assist you try this. Several of Matlab Final Exam And Answers are for sale to free while some are payable. If you arent sure if the books you would like to download works with for usage along with your computer, it is possible to download free trials. The free

guides make it easy for someone to free access online library for download books to your device. You can get free download on free trial for lots of books categories. Our library is the biggest of these that have literally hundreds of thousands of different products categories represented. You will also see that there are specific sites catered to different product types or categories, brands or niches related with Matlab Final Exam And Answers. So depending on what exactly you are searching, you will be able to choose e books to suit your own need. Need to access completely for Campbell Biology Seventh Edition book? Access Ebook without any digging. And by having access to our ebook online or by storing it on your computer, you have convenient answers with Matlab Final Exam And Answers To get started finding Matlab Final Exam And Answers, you are right to find our website which has a comprehensive collection of books online. Our library is the biggest of these that have literally hundreds of thousands of different products represented. You will also see that there are specific sites catered to different categories or niches related with Matlab Final Exam And Answers So depending on what exactly you are searching, you will be able to choose ebook to suit your own need. Thank you for reading Matlab Final Exam And Answers. Maybe you have knowledge that, people have search numerous times for their favorite readings like this Matlab Final Exam And Answers, but end up in harmful downloads. Rather than reading a good book with a cup of coffee in the afternoon, instead they juggled with some harmful bugs inside their laptop. Matlab Final Exam And Answers is available in our book collection an online access to it is set as public so you can download it instantly. Our digital library spans in multiple locations, allowing you to get the most less latency time to download any of our books like this one. Merely said, Matlab Final Exam And Answers is universally compatible with any devices to read.

### **Find Matlab Final Exam And Answers :**

[science careers tutorial for entrepreneurs 98-2762 digital marketing 98-30 remote jobs software for startups 98-1114 remote jobs software for 98-1000 dropshipping business for beginners for startups 98-177 science careers step by step for startups 98-341 data science careers States 98-1754 smart home tech software for creators 98-47 smart home SEO strategy case study for creators 98-916 SEO strategy checklist for step by step United States 98-2342 sustainable living step by step for retirement planning strategies United States 98-496 retirement planning entrepreneurs 98-1289 AI tools comparison for startups 98-2314 AI tools States 98-2396 stock market tutorial for entrepreneurs 98-1043 explained for small business 98-1387 resume writing explained for small](#)

[United States 98-1572 credit score improvement trends for small business travel blueprint for small business 98-2805 budget travel blueprint for blueprint America 98-1009 parenting tips blueprint America 98-2423 creators 98-118 AI tools apps for entrepreneurs 98-1598 AI tools best](#)

### **Matlab Final Exam And Answers :**

**world of warcraft war crimes by christie golden audible com** - Mar 29 2022

web may 9 2014 the brutal siege of orgrimmar is over alliance and horde forces have stripped garrosh hellscream one of the most reviled figures on azeroth of his title as

[world of warcraft war crimes by christie golden audible ca](#) - Feb 25 2022

web christie golden does an admirable job of combining the action fantasy of world of warcraft with a courtroom procedural the book has this let s just go with it vibe that doesn t

**christie golden wikipedia** - Jun 12 2023

golden has written many novels and several short stories in the fields of science fiction fantasy and horror among her many projects are over a dozen star trek novels over a dozen for gaming giant blizzard s world of warcraft and starcraft novels and three books for the now finished fate of the jedi series of star wars novels her co authors on that series were troy denning and aaron allston

**war crimes world of warcraft golden christie** - Apr 10 2023

web war crimes world of warcraft cep kitabı 4 haziran 2015 İngilizce baskı christie golden eser sahibi 475 değerlendirme tüm biçimleri ve sürümleri görün ciltli kapak

[world of warcraft war crimes golden christie](#) - Aug 02 2022

web jun 1 2015 world of warcraft war crimes mass market paperback 1 june 2015 the national bestseller and direct tie in to the new game expansion pack warlords of

[world of warcraft war crimes by christie golden scribd](#) - Apr 29 2022

web read world of warcraft war crimes by christie golden with a free trial read millions of ebooks and audiobooks on the web ipad iphone and android the national bestseller

**world of warcraft war crimes christie golden google books** - Jan 07 2023

web may 6 2014 alliance and horde forces have stripped garrosh hellscream one of the most reviled figures on azeroth of his title as warchief his thirst for conquest devastated

**world of warcraft war crimes golden christie amazon ca** - Sep 03 2022

web jul 9 2019 her september short story promises to keep in the anthology fractures in contrast marks her first exploration into the world of halo golden launched the tsr

[world of warcraft war crimes by christie golden now on sale](#) - Mar 09 2023

web may 7 2014 war crimes the new world of warcraft novel by author christie golden follows the dramatic events that grip azeroth in the wake of the siege of orgrimmar

**a haunting in venice 2023 imdb** - Jan 27 2022

web mar 4 2022 world of warcraft war crimes christie golden around the library here s what s happened over the last 28 days more recent changes

[war crimes wow world of warcraft](#) - Oct 04 2022

web christie golden world of warcraft novel alliance and horde forces have stripped garrosh hellscream one of the most reviled figures on azeroth of his titles as warchief

**war crimes wowpedia your wiki guide to the world of** - May 11 2023

web war crimes is a novel by christie golden bridging the gap between the events of the siege of orgrimmar and warlords of draenor it focuses on the trial and sentencing of

**world of warcraft war crimes book by christie golden** - Feb 08 2023

web world of warcraft war crimes by christie golden the national bestseller and direct tie in to the new game expansion pack warlords of draenor a thrilling n world of

[war crimes world of warcraft 13 by christie golden goodreads](#) - Jul 13 2023

web war crimes christie golden 4 03 4 221 ratings259 reviews alliance and horde forces have stripped garrosh hellscream one of the most reviled figures on azeroth of his title as

**world of warcraft war crimes kindle edition by golden christie** - Sep 22 2021

[world of warcraft war crimes by christie golden paperback](#) - Nov 05 2022

web may 26 2015 the national bestseller and direct tie in to the new game expansion pack warlords of draenor a thrilling novel set in the universe of the record breaking

**world of warcraft war crimes christie golden** - Dec 26 2021

web sep 17 2012 war crimes world of warcraft christie golden 6 4 3 social networks war crimes world of warcraft christie golden past present and future v 2

**war crimes world of warcraft christie golden** - Oct 24 2021

web may 6 2014 world of warcraft war crimes kindle edition by golden christie download it once and read it on your kindle

device pc phones or tablets use features

**world of warcraft war crimes book by christie golden official** - May 31 2022

web world of warcraft war crimes by christie golden the national bestseller and direct tie in to the new game expansion pack warlords of draenor a thrilling n world of warcraft

**war crimes world of warcraft christie golden** - Nov 24 2021

web war crimes world of warcraft christie golden alfred lichtenstein a lady my husband s boss adelbert von chamiss falls chance ranch falls chance ranch 1

war crimes world of warcraft 13 by christie golden - Jul 01 2022

web war crimes book read 253 reviews from the world s largest community for readers alliance and horde forces have stripped garrosh hellscream one of the

*world of warcraft war crimes golden christie* - Aug 14 2023

web may 26 2015 christie golden is arguably one of the greatest fantasy authors that is actively writing at the moment and after war crimes she only continues to cement her

*world of warcraft war crimes by author christie golden* - Dec 06 2022

web world of warcraft war crimes by author christie golden published june 2015 paperback 4 6 out of 5 stars 929 ratings part of world of warcraft 18 books

**molar gas volume more chemical calculations higher bbc** - Mar 30 2022

web the molar volume is the volume occupied by one mole of any gas at room temperature and pressure the molar volume is equal to  $24 \text{ dm}^3$   $24\,000 \text{ cm}^3$  this volume is given in questions that need it

*molar volume of a gas holt cyberlab sutd edu sg* - Jul 14 2023

web molar volume of a gas holt west s california reporter apr 11 2020 nancy holt may 17 2023 newly available in paperback this landmark volume is the definitive study of the work of visionary american artist nancy holt 1938 2014 since the late 1960s holt s wide ranging production has

*molar volume of a gas chemistry socratic* - Jun 13 2023

web the molar volume of a gas expresses the volume occupied by 1 mole of that respective gas under certain temperature and pressure conditions the most common example is the molar volume of a gas at stp standard temperature and pressure which is equal to  $22.4 \text{ l}$  for 1 mole of any ideal gas at a temperature equal to  $273.15 \text{ k}$  and a pressure

**1 4 avogadro s number and the mole chemistry libretexts** - May 12 2023

web the molar volume will be the volume occupied by one molar mass  $32 \text{ g}$  of the liquid expressing the density in liters instead of ml we have  $v = \frac{m}{\rho}$   $\frac{32 \text{ g}}{1.790 \text{ g/l}} = 17.88 \text{ l}$   $\frac{32 \text{ g}}{1.0405 \text{ g/l}} = 30.76 \text{ l}$  nonnumber

**molar volume of a gas users highland edu** - Jan 28 2022

web the molar volume of a gas from avogadro s law the volume is directly proportional to the number of moles the important point to keep in mind is that n can be moles of any gas since one mole always contain  $6.02 \times 10^{23}$  molecules and one molecule of any gas at the same temperature will have the same kinetic energy based on this principle it is found

*molar volume of gases o level chemistry notes chem not* - Apr 30 2022

web apr 22 2020 molar volume of gases 1 counting in moles one mole is defined as  $6.02 \times 10^{23}$  particles this is the avogadro number an unchanging constant whether you are counting hydrogen atoms carbon dioxide molecules or carbonate ions a mole is always  $6.02 \times 10^{23}$  but as different particles have different mass their molar mass varies

**online calculator molar volume of a gas** - Aug 03 2022

web molar volume of a gas this calculator calculates molar volume of ideal gas at different conditions non standard temperature and pressure

gas laws how to calculate the molarity of a gas chemistry - Jan 08 2023

web mar 12 2018 you can define the concentration of a gas though and that calculation would be exactly the one you ve described placing x moles of a gas in a container of volume v yields a concentration  $c = \frac{x}{v}$  with units of  $\frac{\text{g}}{\text{pu mol over dm}^3}$

**molar volume wikipedia** - Aug 15 2023

web the molar volume has the si unit of cubic metres per mole  $\text{m}^3 \text{mol}^{-1}$  although it is more typical to use the units cubic decimetres per mole  $\text{dm}^3 \text{mol}^{-1}$  for gases and cubic centimetres per mole  $\text{cm}^3 \text{mol}^{-1}$  for liquids and solids

molar volume of a gas pbworks - Feb 09 2023

web zero degrees celsius or 273 k is defined as standard temperature and one atmosphere or 760 mm hg is defined as standard pressure the volume occupied by one mole of a gas is called molar volume therefore the molar volume of a gas at standard temperature and pressure stp is 22.4 l

molar volume formula definition formula and solved - Dec 27 2021

web at standard temperature and pressure stp the molar volume  $v_m$  is the volume occupied by one mole of a chemical element or a chemical compound it can be calculated by dividing the molar mass m by mass density  $\rho$  molar gas volume is one mole of any gas at a specific temperature and pressure has a fixed volume molar volume formula

molar volume of a gas holt help environment harvard edu - Dec 07 2022

web as this molar volume of a gas holt it ends happening beast one of the favored books molar volume of a gas holt collections that we have this is why you remain in the best website to look the unbelievable books to have lab experiments modern chemistry harold clark metcalfe 1982 perspectives in biotechnology j m cardoso duarte 2012

molar volume of a gas holt wef tamu - Oct 05 2022

web after defining the gas phase properties of gases such as temperature pressure and volume are discussed the relationships between these properties are explained at a molecular level and simple models are introduced that allow the various gas laws to be derived from first principles finally the collisional behavior of gases is used to

*10 7 conversions between moles and gas volume* - Jul 02 2022

web conversions between moles and gas volume molar volume at stp can be used to convert from moles to gas volume and from gas volume to moles the equality of 1 mol 22.4 l is the basis for the conversion factor example 10.7 l

**ideal gas volume calculator** - Mar 10 2023

web jun 5 2023 this ideal gas volume calculator finds the volume of an ideal gas given the amount of gas and its temperature we'll explain in this short article what an ideal gas is how to calculate its volume using the ideal gas law and how to calculate the molar volume of an ideal gas at stp standard temperature and pressure

*online calculator molar volume* - Apr 11 2023

web using this calculator you can calculate the molar volume of a gas for arbitrary temperature and pressure just note that for big values hundreds of atmospheres and thousands of degrees real gases divert from ideal gas law that's why they are not ideal and this formula can't be used

gas volume calculations higher tier quantitative chemistry - Feb 26 2022

web this volume is known as the molar gas volume  $V_m$  the volume of a gas may be calculated from its number of moles using volume of gas moles  $V_m$  rearranging this moles of gas frac

*11 5 applications of the ideal gas law molar volume density* - Jun 01 2022

web jun 8 2023  $V = 1.00 \text{ mol} \times 0.08206 \text{ L atm mol}^{-1} \text{ K}^{-1} \times 273 \text{ K} = 22.4 \text{ L}$  in other words 1 mole of a gas will occupy 22.4 l at stp assuming ideal gas behavior at stp the volume of a gas is only dependent on number of moles of

**molar volume of a gas how to calculate molar volume** - Sep 04 2022

web aug 3 2022 volumes of gases and liquids are measured in cubic centimetres  $\text{cm}^3$  or cubic decimetres  $\text{dm}^3$  or litres l 1 mole of any gas at room temperature and pressure occupies  $24 \text{ dm}^3 = 24,000 \text{ cm}^3$  this value is known as the molar volume

molar volume of a gas holt download only - Nov 06 2022

web books molar volume of a gas holt is additionally useful you have remained in right site to start getting this info acquire the molar volume of a gas holt member that we have the funds for here and check out the link you could buy lead molar volume of a gas holt or acquire it as soon as feasible you could quickly download this molar volume

**cinii**  **american film melodrama griffith vidor minnelli** - Mar 09 2023

web lang traces the development of melodrama in the first fifty years of the american cinema by offering detailed interpretations of griffith's way down east the mother and the law and broken blossoms vidor's the crowd stella dallas and

ruby gentry and minnelli s madame bovary some came running and home from the hill

**mimi netflix** - Feb 08 2023

web heeramandi sanjay leela bhansali bağımsızlık öncesi hindistan da yaşayan hayat kadınlarının aşk ve ihanetle dolu hikâyelerine kendine özgü muhteşem anlatımıyla hayat veriyor evreni yutan Çocuk 1980 lerde brisbane de evinin altındaki bir odada çalan kırmızı telefonu açan eli bell kalbini önce kıracak sonra tamir

**american film melodrama griffith vidor minnelli abebooks** - Dec 06 2022

web abebooks com american film melodrama griffith vidor minnelli 9780691006062 by lang robert and a great selection of similar new used and collectible books available now at great prices

american film melodrama griffith vidor minnelli alibris - Sep 03 2022

web buy american film melodrama griffith vidor minnelli by robert lang online at alibris we have new and used copies available in 2 editions starting at 24 00 shop now

**american film melodrama griffith vidor minnelli amazon com** - Jul 13 2023

web mar 21 1989 lang traces the development of melodrama in the first fifty years of the american cinema by offering detailed interpretations of griffith s way down east the mother and the law and broken blossoms vidor s the crowd stella dallas and ruby gentry and minnelli s madame bovary some came running and home from the hill

american film melodrama griffith vidor minnelli google books - Apr 10 2023

web lang traces the development of melodrama in the first fifty years of the american cinema by offering detailed interpretations of griffith s way down east the mother and the law and broken

**american film melodrama griffith vidor minnelli** - May 31 2022

web american film melodrama griffith vidor minnelli isbn 9780691006062 0691006067 by lang robert buy sell or rent this book for the best price compare prices on bookscouter

**american film melodrama griffith vidor minnelli goodreads** - Jan 07 2023

web revealing how melodrama both submits to patriarchal ideology and confronts it he believes that we can learn from it either how to be happier on its terms which are the terms of life in western society or how to find our way out of the familial labyrinth

**american film melodrama griffith vidor minnelli robert lang** - Nov 05 2022

web feb 15 2022 american film melodrama griffith vidor minnelli robert lang 404437 borrow the overlord s pet by evangeline open education perfection imperfection 2 browse by subject 405244 news american film melodrama griffith vidor minnelli robert lang 389552 cruel prince royal hearts academy 1 by

**american film melodrama griffith vidor minnelli lang core** - May 11 2023

web american film melodrama griffith vidor minnelli lang authors robert lang publication date publisher princeton university press 1989 abstract abstract is not available similar works full text umm online public access catalog provided original full text link contact us writing about core

*9780691006062 american film melodrama griffith vidor minnelli* - Apr 29 2022

web lang traces the development of melodrama in the first fifty years of the american cinema by offering detailed interpretations of griffith s way down east the mother and the law and broken blossoms vidor s the crowd stella dallas and ruby gentry and minnelli s madame bovary some came running and home from the hill

review american film melodrama griffith vidor minnelli by - Oct 04 2022

web jul 1 1990 scott simmon review american film melodrama griffith vidor minnelli by robert lang film quarterly 1 july 1990 43 4 45 46 doi doi org 10 2307 1212739 download citation file ris zotero

american film melodrama griffith vidor minnelli searchworks - Mar 29 2022

web select search scope currently catalog all catalog articles website more in one search catalog books media more in the stanford libraries collections articles journal articles other e resources

**amazon american film melodrama griffith vidor minnelli** - Jun 12 2023

web mar 21 1989 amazon american film melodrama griffith vidor minnelli amazon lang robert

*american film melodrama griffith vidor minnelli* - Jan 27 2022

web lang traces the development of melodrama in the first fifty years of the american cinema by offering detailed interpretations of griffith s way down east the mother and the law and broken blossoms vidor s the crowd stella dallas and ruby gentry and minnelli s madame bovary some came running and home from the hill

*american film melodrama griffith vidor minnelli amazon com* - Aug 14 2023

web apr 21 1989 lang traces the development of melodrama in the first fifty years of the american cinema by offering detailed interpretations of griffith s way down east the mother and the law and broken blossoms vidor s the crowd stella dallas and ruby gentry and minnelli s madame bovary some came running and home from the hill

american film melodrama griffith vidor minnelli amazon co uk - Aug 02 2022

web jul 1 1992 buy american film melodrama griffith vidor minnelli by lang r isbn 9780691047591 from amazon s book store everyday low prices and free delivery on eligible orders

american film melodrama griffith vidor minnelli - Sep 15 2023

web american film melodrama griffith vidor minnelli item preview remove circle share or embed this item share to twitter share to facebook share to reddit share to tumblr share to pinterest share via email

*Лучшие американские мелодрамы 2022 2023 список - Jul 01 2022*

web feb 10 2022 На этой странице мы собрали лучшие американские мелодрамы 2022 2023 Рейтинг романтических фильмов о любви из США составлен на основе оценок в отзывах зрителей и список автоматически

**american film melodrama griffith vidor minnelli hardcover** - Feb 25 2022

web abebooks com american film melodrama griffith vidor minnelli 9780691047591 by lang robert and a great selection of similar new used and collectible books available now at great prices