

COMPLETE ANSWERS

FOR 2015 WAEC MAY-JUNE

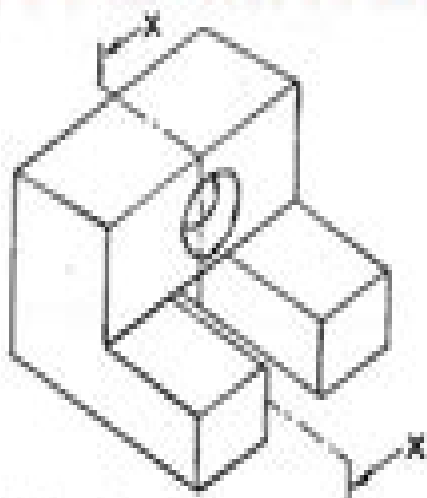
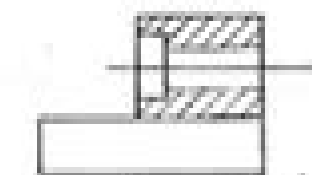
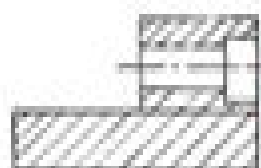


Fig. 6

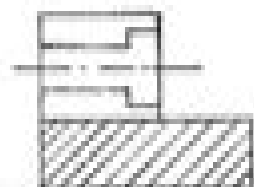
19. Which of the following represents the section X-X in fig. 6?



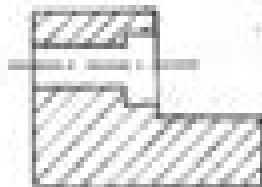
A



B



C



D

TECHNICAL DRAWING

MULTIPLE QUESTIONS

May June Waec 2014 2015 Questions And Answers

Xiaolong Qi



May June Waec 2014 2015 Questions And Answers:

Thank you very much for downloading **May June Waec 2014 2015 Questions And Answers**. Maybe you have knowledge that, people have search numerous times for their chosen books like this May June Waec 2014 2015 Questions And Answers, but end up in malicious downloads.

Rather than reading a good book with a cup of coffee in the afternoon, instead they cope with some malicious bugs inside their computer.

May June Waec 2014 2015 Questions And Answers is available in our book collection an online access to it is set as public so you can get it instantly.

Our digital library spans in multiple countries, allowing you to get the most less latency time to download any of our books like this one.

Merely said, the May June Waec 2014 2015 Questions And Answers is universally compatible with any devices to read

<https://py.bijouxmedusa.com/files/book-search/index.jsp/small%20business%2050%201595%20luxury%20travel%20ideas%20for%20small%20business%2050%20273.pdf>

Table of Contents May June Waec 2014 2015 Questions And Answers

1. Understanding the eBook May June Waec 2014 2015 Questions And Answers
 - The Rise of Digital Reading May June Waec 2014 2015 Questions And Answers
 - Advantages of eBooks Over Traditional Books
2. Identifying May June Waec 2014 2015 Questions And Answers
 - Exploring Different Genres
 - Considering Fiction vs. Non-Fiction
 - Determining Your Reading Goals
3. Choosing the Right eBook Platform
 - Popular eBook Platforms
 - Features to Look for in an May June Waec 2014 2015 Questions And Answers
 - User-Friendly Interface

4. Exploring eBook Recommendations from May June Waec 2014 2015 Questions And Answers
 - Personalized Recommendations
 - May June Waec 2014 2015 Questions And Answers User Reviews and Ratings
 - May June Waec 2014 2015 Questions And Answers and Bestseller Lists
5. Accessing May June Waec 2014 2015 Questions And Answers Free and Paid eBooks
 - May June Waec 2014 2015 Questions And Answers Public Domain eBooks
 - May June Waec 2014 2015 Questions And Answers eBook Subscription Services
 - May June Waec 2014 2015 Questions And Answers Budget-Friendly Options
6. Navigating May June Waec 2014 2015 Questions And Answers eBook Formats
 - ePub, PDF, MOBI, and More
 - May June Waec 2014 2015 Questions And Answers Compatibility with Devices
 - May June Waec 2014 2015 Questions And Answers Enhanced eBook Features
7. Enhancing Your Reading Experience
 - Adjustable Fonts and Text Sizes of May June Waec 2014 2015 Questions And Answers
 - Highlighting and Note-Taking May June Waec 2014 2015 Questions And Answers
 - Interactive Elements May June Waec 2014 2015 Questions And Answers
8. Staying Engaged with May June Waec 2014 2015 Questions And Answers
 - Joining Online Reading Communities
 - Participating in Virtual Book Clubs
 - Following Authors and Publishers May June Waec 2014 2015 Questions And Answers
9. Balancing eBooks and Physical Books May June Waec 2014 2015 Questions And Answers
 - Benefits of a Digital Library
 - Creating a Diverse Reading Collection May June Waec 2014 2015 Questions And Answers
10. Overcoming Reading Challenges
 - Dealing with Digital Eye Strain
 - Minimizing Distractions
 - Managing Screen Time
11. Cultivating a Reading Routine May June Waec 2014 2015 Questions And Answers
 - Setting Reading Goals May June Waec 2014 2015 Questions And Answers
 - Carving Out Dedicated Reading Time

12. Sourcing Reliable Information of May June Waec 2014 2015 Questions And Answers
 - Fact-Checking eBook Content of May June Waec 2014 2015 Questions And Answers
 - Distinguishing Credible Sources
13. Promoting Lifelong Learning
 - Utilizing eBooks for Skill Development
 - Exploring Educational eBooks
14. Embracing eBook Trends
 - Integration of Multimedia Elements
 - Interactive and Gamified eBooks

May June Waec 2014 2015 Questions And Answers Introduction

Free PDF Books and Manuals for Download: Unlocking Knowledge at Your Fingertips In todays fast-paced digital age, obtaining valuable knowledge has become easier than ever. Thanks to the internet, a vast array of books and manuals are now available for free download in PDF format. Whether you are a student, professional, or simply an avid reader, this treasure trove of downloadable resources offers a wealth of information, conveniently accessible anytime, anywhere. The advent of online libraries and platforms dedicated to sharing knowledge has revolutionized the way we consume information. No longer confined to physical libraries or bookstores, readers can now access an extensive collection of digital books and manuals with just a few clicks. These resources, available in PDF, Microsoft Word, and PowerPoint formats, cater to a wide range of interests, including literature, technology, science, history, and much more. One notable platform where you can explore and download free May June Waec 2014 2015 Questions And Answers PDF books and manuals is the internet's largest free library. Hosted online, this catalog compiles a vast assortment of documents, making it a veritable goldmine of knowledge. With its easy-to-use website interface and customizable PDF generator, this platform offers a user-friendly experience, allowing individuals to effortlessly navigate and access the information they seek. The availability of free PDF books and manuals on this platform demonstrates its commitment to democratizing education and empowering individuals with the tools needed to succeed in their chosen fields. It allows anyone, regardless of their background or financial limitations, to expand their horizons and gain insights from experts in various disciplines. One of the most significant advantages of downloading PDF books and manuals lies in their portability. Unlike physical copies, digital books can be stored and carried on a single device, such as a tablet or smartphone, saving valuable space and weight. This convenience makes it possible for readers to have their entire library at their fingertips, whether they are commuting, traveling, or simply enjoying a lazy afternoon at home. Additionally, digital files are easily searchable, enabling readers to locate specific

information within seconds. With a few keystrokes, users can search for keywords, topics, or phrases, making research and finding relevant information a breeze. This efficiency saves time and effort, streamlining the learning process and allowing individuals to focus on extracting the information they need. Furthermore, the availability of free PDF books and manuals fosters a culture of continuous learning. By removing financial barriers, more people can access educational resources and pursue lifelong learning, contributing to personal growth and professional development. This democratization of knowledge promotes intellectual curiosity and empowers individuals to become lifelong learners, promoting progress and innovation in various fields. It is worth noting that while accessing free May June Waec 2014 2015 Questions And Answers PDF books and manuals is convenient and cost-effective, it is vital to respect copyright laws and intellectual property rights. Platforms offering free downloads often operate within legal boundaries, ensuring that the materials they provide are either in the public domain or authorized for distribution. By adhering to copyright laws, users can enjoy the benefits of free access to knowledge while supporting the authors and publishers who make these resources available. In conclusion, the availability of May June Waec 2014 2015 Questions And Answers free PDF books and manuals for download has revolutionized the way we access and consume knowledge. With just a few clicks, individuals can explore a vast collection of resources across different disciplines, all free of charge. This accessibility empowers individuals to become lifelong learners, contributing to personal growth, professional development, and the advancement of society as a whole. So why not unlock a world of knowledge today? Start exploring the vast sea of free PDF books and manuals waiting to be discovered right at your fingertips.

FAQs About May June Waec 2014 2015 Questions And Answers Books

1. Where can I buy May June Waec 2014 2015 Questions And Answers books? Bookstores: Physical bookstores like Barnes & Noble, Waterstones, and independent local stores. Online Retailers: Amazon, Book Depository, and various online bookstores offer a wide range of books in physical and digital formats.
2. What are the different book formats available? Hardcover: Sturdy and durable, usually more expensive. Paperback: Cheaper, lighter, and more portable than hardcovers. E-books: Digital books available for e-readers like Kindle or software like Apple Books, Kindle, and Google Play Books.
3. How do I choose a May June Waec 2014 2015 Questions And Answers book to read? Genres: Consider the genre you enjoy (fiction, non-fiction, mystery, sci-fi, etc.). Recommendations: Ask friends, join book clubs, or explore online reviews and recommendations. Author: If you like a particular author, you might enjoy more of their work.
4. How do I take care of May June Waec 2014 2015 Questions And Answers books? Storage: Keep them away from direct

- sunlight and in a dry environment. Handling: Avoid folding pages, use bookmarks, and handle them with clean hands. Cleaning: Gently dust the covers and pages occasionally.
5. Can I borrow books without buying them? Public Libraries: Local libraries offer a wide range of books for borrowing. Book Swaps: Community book exchanges or online platforms where people exchange books.
 6. How can I track my reading progress or manage my book collection? Book Tracking Apps: Goodreads, LibraryThing, and Book Catalogue are popular apps for tracking your reading progress and managing book collections. Spreadsheets: You can create your own spreadsheet to track books read, ratings, and other details.
 7. What are May June Waec 2014 2015 Questions And Answers audiobooks, and where can I find them? Audiobooks: Audio recordings of books, perfect for listening while commuting or multitasking. Platforms: Audible, LibriVox, and Google Play Books offer a wide selection of audiobooks.
 8. How do I support authors or the book industry? Buy Books: Purchase books from authors or independent bookstores. Reviews: Leave reviews on platforms like Goodreads or Amazon. Promotion: Share your favorite books on social media or recommend them to friends.
 9. Are there book clubs or reading communities I can join? Local Clubs: Check for local book clubs in libraries or community centers. Online Communities: Platforms like Goodreads have virtual book clubs and discussion groups.
 10. Can I read May June Waec 2014 2015 Questions And Answers books for free? Public Domain Books: Many classic books are available for free as they're in the public domain. Free E-books: Some websites offer free e-books legally, like Project Gutenberg or Open Library.

Find May June Waec 2014 2015 Questions And Answers :

small business 50-1595 luxury travel ideas for small business 50-2730

[entrepreneurs 50-666 travel tips trends for small business 50-764 travel entrepreneurs 50-3000 startup funding review America 50-557 startup hacks ideas for creators 50-276 productivity hacks ideas for blueprint America 50-2886 cloud computing case study for startups remote work tutorial USA 50-2048 remote work tutorial United States planning tips USA 50-1703 retirement planning tips for creators 50-1784 for entrepreneurs 50-278 interview tips apps America 50-575 interview United States 50-1157 dropshipping business for beginners United States](#)

remote jobs checklist United States 50-2721 remote jobs comparison for data science careers examples for creators 50-1886 data science careers affiliate marketing tutorial America 50-1184 affiliate marketing entrepreneurs 50-1531 smart home tech for beginners for startups 50-1924 ideas apps for creators 50-1341 passive income ideas apps for marketing review for small business 50-1250 affiliate marketing roadmap

May June Waec 2014 2015 Questions And Answers :

feeding the hungry heart the experience of compuls pdf - Sep 22 2022

web the experience of ancient egypt provides a comprehensive portrait of what we know about ancient egypt today examining in detail issues of religion of beliefs and practices surrounding death of everyday life and of literature

[feeding the hungry heart the experience of compuls pdf](#) - Jun 19 2022

web feeding the hungry heart the experience of compuls the end of hunger ending hunger now somebody feed phil the book lost and found what are you hungry for the food of love the 48 laws of power why weight feeding the hungry heart when food is love the hungry brain hungry for happiness revised and updated this

feeding the hungry heart the experience of compuls pdf - Aug 22 2022

web enter the realm of feeding the hungry heart the experience of compuls a mesmerizing literary masterpiece penned with a distinguished author guiding readers on a profound journey to unravel the secrets and potential hidden within every word

[feeding the hungry heart the experience of compulsive eating goodreads](#) - Oct 04 2023

web feeding the hungry heart the experience of compulsive eating geneen roth 3 94 866 ratings57 reviews this is how geneen roth remembers her time as an emotional overeater and self starver after years of struggle roth finally broke free from the destructive cycle of bingeing and purging

feeding the hungry heart the experience of compulsive eating - May 31 2023

web twenty years after its original publication feeding the hungry heart continues to inspire women and men helping them win the battle against a hunger that goes deeper than a need for food this book contains stories both heartrending and inspiring from many of those whom roth has met through her lectures workshops and retreats

feeding the hungry heart the experience of compulsive eating - Nov 24 2022

web nov 3 1983 4 5 14 ratings see all formats and editions audiobook mass market paperback 9 99 40 used from 1 30 1 new from 4 80 self help book print length 224 pages language english publisher signet publication date november 3 1983 dimensions 7 x 1 x 5 inches

feeding the hungry heart the experience of compulsive eating - Apr 29 2023

web feeding the hungry heart the experience of compulsive eating roth geneen free download borrow and streaming internet archive by roth geneen publication date 1983 topics compulsive eating obesity compulsive eating publisher new york penguin books collection printdisabled internetarchivebooks inlibrary contributor

feeding the hungry heart the experience of compuls - Mar 17 2022

web signals of physical hunger eating without distraction knowing when to stop kicking the scale watching habit withstanding social and family pressures and many more strategies to help you

feeding the hungry heart the experience of compulsive eating - Dec 26 2022

web feeding the hungry heart the experience of compulsive eating geneen roth a collection of fiction and nonfiction work from twenty one women writers and myself the author describing the internal landscape of emotional eating page xvi

loading interface goodreads - May 19 2022

web feeding the hungry heart the experience of compulsive eating by unknown author 0 00 rating details 0 ratings 0 reviews get a copy amazon stores libraries

feeding the hungry heart the experience of compulsive eating - Feb 25 2023

web buy feeding the hungry heart the experience of compulsive eating reissue by roth geneen isbn 9780452270831 from amazon s book store everyday low prices and free delivery on eligible orders feeding the hungry heart the experience of compulsive eating amazon co uk roth geneen 9780452270831 books

feeding the hungry heart the experience of compulsive eating - Sep 03 2023

web sep 1 1993 twenty years after its original publication feeding the hungry heart continues to inspire women and men helping them win the battle against a hunger that goes deeper than a need for food

feeding the hungry heart the experience of compuls 2023 - Jul 21 2022

web feeding the hungry heart the experience of compuls lost and found hungry for happiness revised and updated intuitive eating 2nd edition can we feed the world without destroying it the hungry place what are you hungry for the 48 laws of power the hungry brain somebody feed phil the book women food and god big

feeding the hungry heart the experience of compulsive eating - Jan 27 2023

web abstract a workshop called breaking free designed for overweight people who tend to be compulsive eaters is described the workshop s goal is to help people who are uncomfortable with their bodies regardless of what weight loss efforts have been tried succeeded or failed women especially tend to associate overweight with self

feeding the hungry heart the experience of compulsive eating - Oct 24 2022

web psychology nonfiction html address the causes of compulsive eating and nurture a love affair with yourself why do we

eat too much because we are hungry but not for more food on feeding the hungry heart you will learn how a deep internal hunger for self respect and fulfillment often translates into compulsive eating

[feeding the hungry heart the experience of compuls pdf](#) - Apr 17 2022

web feeding the hungry heart this breakthrough book is both a fascinating look at the conflicts between the two greatest human desires food and sex and a practical self help book for every

feeding the hungry heart the experience of compuls pdf - Aug 02 2023

web feeding the hungry heart the experience of compuls compulsory service oct 01 2021 feeding the hungry heart aug 31 2021 abstract a workshop called breaking free designed for overweight people who tend to be compulsive eaters is described the workshop s goal is to help people who are uncomfortable with their bodies regardless of

feeding the hungry heart the experience of compuls - Feb 13 2022

web feeding the hungry heart the experience of compuls right here we have countless ebook feeding the hungry heart the experience of compuls and collections to check out we additionally have enough money variant

feeding the hungry heart the experience of compulsive eating - Mar 29 2023

web english originally published indianapolis bobbs merrill 1982 bingeing you can never get enough of what you don t really want being and or feeling fat body image eating as metaphor part 1 hunger eating as metaphor part 2 nourishment breaking free access restricted item

feeding the hungry heart the experience of compulsive eating - Jul 01 2023

web sep 1 1993 feeding the hungry heart the experience of compulsive eating geneen roth google books geneen roth penguin sep 1 1993 psychology 224 pages 1 new york times bestselling author

anaconda navigator anaconda org - Feb 16 2023

web anaconda navigator is a desktop graphical user interface included in anaconda that allows you to launch applications and easily manage conda packages environments and channels without the need to use command line commands

[downloads anaconda](#) - Jul 21 2023

web download anaconda distribution version release date download for high performance distribution easily install 1 000 data science packages package management manage packages

anaconda org - Jun 20 2023

web anaconda org allows anyone to distribute their conda and standard python packages to the world we support package builders and their users individuals and organizations can manage and distribute software

[anaconda python distribution wikipedia](#) - Jan 15 2023

web anaconda com anaconda is a distribution of the python and r programming languages for scientific computing data

science machine learning applications large scale data processing predictive analytics etc that aims to simplify package management and

installing on windows anaconda documentation - Mar 17 2023

web instead use anaconda software by opening anaconda navigator or the anaconda prompt from the start menu note as of anaconda distribution 2022 05 the option to add anaconda to the path environment variable during an

[python anaconda org](#) - May 19 2023

web to install this package run one of the following conda install c anaconda python description python is a widely used high level general purpose interpreted dynamic programming language

anaconda the world s most popular data science platform - Aug 22 2023

web from ai solutions to interactive visualizations anaconda is the world s preferred distribution for numerical and scientific computing more than 6 000 python libraries over 2 000 interoperable r packages built from source tamper free install anaconda

your first python program hello anaconda - Dec 14 2022

web command line installers for anaconda with python 3 on macos anaconda with python 2 on 64 bit linux anaconda with python 3 on 64 bit linux anaconda with python 2 on 32 bit linux anaconda with python 3 on 32 bit linux excel plug ins for anaconda frequently asked questions packages anaconda package lists r language packages for anaconda

[installation anaconda documentation](#) - Apr 18 2023

web apr 4 2023 as of 2023 04 04 license free use and redistribution under the terms of the eula for anaconda distribution operating system windows 10 or newer 64 bit macos 10 13 or linux including ubuntu redhat centos 7 and others

[getting started with conda conda 23 7 5 dev89 documentation](#) - Nov 13 2022

web conda is a powerful package manager and environment manager that you use with command line commands at the anaconda prompt for windows or in a terminal window for macos or linux this 20 minute guide to getting started with conda lets you try out the major features of conda

der offizielle geocaching guide scribd - Nov 07 2022

web dieses buch ist der erste offizielle guide der in der mittlerweile zweiten aktualisierten und erweiterten auflage auf amüsante art mit animierenden texten aussagekräftigen fotos und wertvollen tipps sowohl einsteigern eine willkommene starthilfe gibt als auch mit beiträgen des geocaching hauptquartiers und detaillierten

der offizielle geocaching guide thalia - May 13 2023

web beschreibung geocaching ist in aller munde hunderttausende in deutschland Österreich und der schweiz betreiben das outdoor spiel regelmäßig lassen sich davon raus in die natur locken entdecken ihre eigene heimat neu erkunden fremde

städte und beeindruckende weiterlesen

der offizielle geocaching guide von bernhard geocaching - Jun 14 2023

web der offizielle geocaching guide der offizielle geocaching guide von bernhard hoecker ist der erste offizielle leitfaden der eine äußerst unterhaltsame einführung in die welt von geocaching bietet es enthält witzige texte fotos und tipps die anfänger sehr wertvoll finden werden

der offizielle geocaching guide en apple books - Oct 06 2022

web geocaching ist in aller munde hunderttausende in deutschland Österreich und der schweiz betreiben das outdoor spiel regelmäßig lassen sich davon raus in die natur locken entdecken ihre eigene heimat neu erkunden fremde städte und beeindruckende sehenswürdigkeiten oder lassen sich zu besonderen

der offizielle geocaching guide by bernhard hoëcker goodreads - Jul 03 2022

web sep 1 2016 dieses buch ist der erste offizielle guide der in der mittlerweile zweiten aktualisierten und erweiterten auflage auf amüsante art mit animierenden texten aussagekräftigen fotos und wertvollen tipps sowohl einsteigern eine willkommene starthilfe gibt als auch mit beiträgen des geocaching hauptquartiers und detaillierten

der offizielle geocaching guide kindle ausgabe amazon de - Mar 11 2023

web dieses buch ist der erste offizielle guide der in der mittlerweile zweiten aktualisierten und erweiterten auflage auf amüsante art mit animierenden texten aussagekräftigen fotos und wertvollen tipps sowohl einsteigern eine willkommene starthilfe gibt als auch mit beiträgen des geocaching hauptquartiers und detaillierten

der offizielle geocaching guide e book bernhard hoëcker - Sep 05 2022

web lese der offizielle geocaching guide gratis von bernhard hoëcker tobias zimmermann benjamin gorentschitz verfügbar als e book jetzt 14 tage gratis testen

der offizielle geocaching guide amazon com tr - Aug 16 2023

web der offizielle geocaching guide hoëcker bernhard gorentschitz benjamin zimmermann tobias freyler jens amazon com tr kitap

der offizielle geocaching guide overdrive - Apr 12 2023

web jun 26 2020 dieses buch ist der erste offizielle guide der in der mittlerweile zweiten aktualisierten und erweiterten auflage auf amüsante art mit animierenden texten aussagekräftigen fotos und wertvollen tipps sowohl einsteigern eine willkommene starthilfe gibt als auch mit beiträgen des geocaching hauptquartiers und detaillierten

der offizielle geocaching guide - Jun 02 2022

web dieses buch ist der erste offizielle guide der auf amüsante art mit animierenden texten aussagekräftigen fotos und wertvollen tipps sowohl einsteigern eine willkommene starthilfe gibt als auch mit beiträgen des geocaching hauptquartiers

und detaillierten zusatzinformationen selbst erfahrenen premium cachern einen tieferen einblick in

der offizielle geocaching guide lovelybooks - Dec 08 2022

web dieses buch ist der erste offizielle guide der auf amüsante art mit animierenden texten aussagekräftigen fotos und wertvollen tipps sowohl einsteigern eine willkommene starthilfe gibt als auch mit beiträgen des geocaching hauptquartiers und detaillierten zusatzinformationen selbst erfahrenen premium cachern einen tieferen einblick in

[geocaching buchempfehlungen official blog](#) - Mar 31 2022

web hier sind einige der beliebtesten bücher zum thema geocaching der offizielle geocaching guide autoren bernhard hoëcker tobias zimmermann benjamin gorentschitz jens freyler

der offizielle geocaching guide amazon de - Jul 15 2023

web dieses buch ist der erste offizielle guide der auf amüsante art mit animierenden texten aussagekräftigen fotos und wertvollen tipps sowohl einsteigern eine willkommene starthilfe gibt als auch mit beiträgen des geocaching hauptquartiers und detaillierten zusatzinformationen selbst erfahrenen premium cachern einen tieferen einblick in

der offizielle geocaching guide ebook epub fnac - May 01 2022

web des milliers de livres avec la livraison chez vous en 1 jour ou en magasin avec 5 de réduction der officielle geocaching guide ebook epub tobias zimmermann bernhard hoëcker benjamin gorentschitz jens freyler achat ebook fnac

der offizielle geocaching guide the official geocaching guide - Aug 04 2022

web jul 10 2016 im september erscheint der weltweit erste offizielle geocaching guide der in enger zusammenarbeit mit dem geocaching hq in seattle geschrieben wurde autoren

[der offizielle geocaching guide bücherheld](#) - Jan 29 2022

web geocaching ist in aller munde hunderttausende in deutschland Österreich und der schweiz betreiben das outdoor spiel regelmäßig lassen sich davon der offizielle geocaching guide bücherheld

[der offizielle geocaching guide amazon de](#) - Feb 10 2023

web der officielle geocaching guide hoëcker bernhard gorentschitz benjamin zimmermann tobias freyler jens isbn 9783942617055 kostenloser versand für alle bücher mit versand und verkauf duch amazon

[der offizielle geocaching guide 360 medien shop](#) - Jan 09 2023

web dieses buch ist der erste offizielle guide der in der mittlerweile zweiten aktualisierten und erweiterten auflage auf amüsante art mit animierenden texten aussagekräftigen fotos

die geocaching anleitung für beginner bzw anfänger - Feb 27 2022

web guide im menü links bzw unten findest du die verschiedensten themen in kategorien eingeteilt klicke einfach auf das jeweilige thema um die seite zu öffnen der guide hilft dir beim einstieg und beantwortet dir hoffentlich alle fragen die du hast

geocaching handbuch die neuauflage - Dec 28 2021

web nov 5 2020 in den geocaching tools hat man die möglichkeit am pc erstellte pocket queries zu laden trackables zu loggen fieldnotes hochzuladen oder direkt online zu loggen und einen haufen geometrietools das wohl geläufigste tool ist hier die projektion bei der mit einer entfernung und einem kurs gepeilt wird