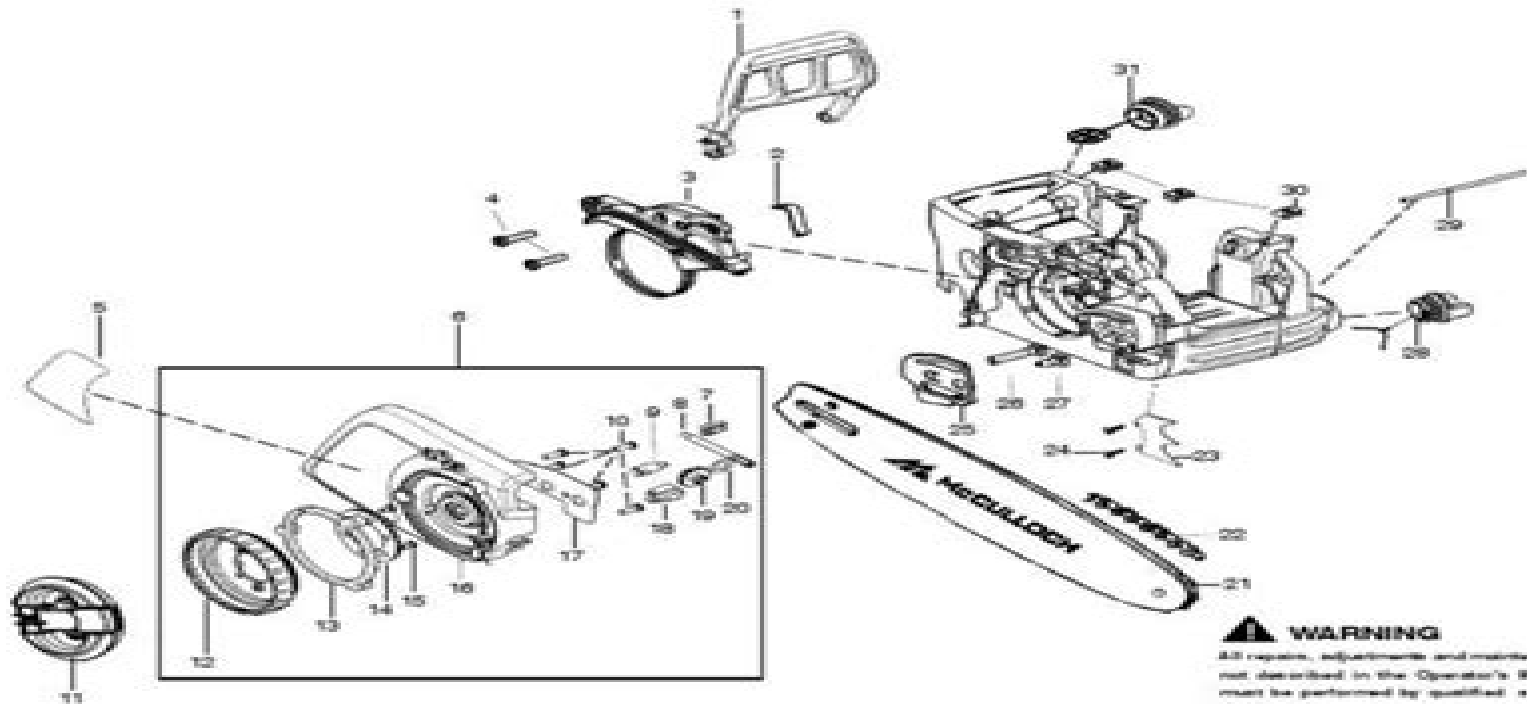


PARTS LIST NO. 580864501		 McCULLOCH PARTS LIST	CHAIN SAW MODEL# CS 360T
DATE 7/03/12	REV NEW		NOTE: Illustration may differ from actual model due to design changes.



WARNING
All repairs, adjustments and maintenance not described in the Operator's Manual must be performed by qualified service personnel.

Ref.	Part No.	Description	Ref.	Part No.	Description
1.	530057890	Handguard	25.	530057910	Plate- Bar
2.	530016416	Spring- Handguard	26.	572974101	Bolt- Bar
3.	530071893	Kit- Chainbrake	27.	572974001	Bolt- Tapered Bar
4.	530016432	Screw	28.	530057236	Assy- Oil Cap w/ret.
5.	580788201	Decal- Bl/C 360T	29.	530058796	Assy- Oil Vent
6.	577315002	Assy. - Clutch Cover (Incl.7,8,9,10,12,13,14,15,16,17,18,19,20)	30.	530015922	Nut- "U" type speed
7.	576617301	Clip- Spring	31.	577658901	Cap- Fuel with retainer
8.	505501001	Screw- Bar Adjust			
9.	505500901	Pin- Bar Adjust			
10.	574790301	Screw M3.63			
11.	577314401	Assy.- Knob Lever			
12.	505501803	Wheel- Knob Tensioning			
13.	5739011601	Ring- Ret. Knob			
14.	505501401	Gear- Ring Cover			
15.	572974201	Screw M3.5			
16.	505501501	Cover- Clutch			
17.	572972701	Plate- Gear Cover			
18.	572972801	Stopper- Bar Adjust Screw			
19.	505501201	Gear- Screw Adjuster			
20.	577149501	Washer- Spacer Brmm			
21.	580849001	Bar 16"			
22.	579578901	Chain 16" (91PX)			
23.	530014281	Kit- Spike (incl. 24)			
24.	530016439	Screw			

1* = NEW PART NUMBER FOR THIS SPL * = REFER TO THE SERVICE REFERENCE INDICATED FOR MORE INFORMATION (LOCATED AT END OF SPL)

Mcculloch Timber Bear Parts

ML Yell



Mcculloch Timber Bear Parts:

Mcculloch Timber Bear Parts Book Review: Unveiling the Magic of Language

In an electronic era where connections and knowledge reign supreme, the enchanting power of language has are more apparent than ever. Its capability to stir emotions, provoke thought, and instigate transformation is actually remarkable. This extraordinary book, aptly titled "**Mcculloch Timber Bear Parts**," compiled by a very acclaimed author, immerses readers in a captivating exploration of the significance of language and its profound impact on our existence. Throughout this critique, we will delve to the book is central themes, evaluate its unique writing style, and assess its overall influence on its readership.

https://py.bijouxmedusa.com/files/detail/Download_PDFS/inventory_management_system_project_vb_in_documentation.pdf

Table of Contents Mcculloch Timber Bear Parts

1. Understanding the eBook Mcculloch Timber Bear Parts
 - The Rise of Digital Reading Mcculloch Timber Bear Parts
 - Advantages of eBooks Over Traditional Books
2. Identifying Mcculloch Timber Bear Parts
 - Exploring Different Genres
 - Considering Fiction vs. Non-Fiction
 - Determining Your Reading Goals
3. Choosing the Right eBook Platform
 - Popular eBook Platforms
 - Features to Look for in an Mcculloch Timber Bear Parts
 - User-Friendly Interface
4. Exploring eBook Recommendations from Mcculloch Timber Bear Parts
 - Personalized Recommendations
 - Mcculloch Timber Bear Parts User Reviews and Ratings
 - Mcculloch Timber Bear Parts and Bestseller Lists

5. Accessing Mcculloch Timber Bear Parts Free and Paid eBooks
 - Mcculloch Timber Bear Parts Public Domain eBooks
 - Mcculloch Timber Bear Parts eBook Subscription Services
 - Mcculloch Timber Bear Parts Budget-Friendly Options
6. Navigating Mcculloch Timber Bear Parts eBook Formats
 - ePub, PDF, MOBI, and More
 - Mcculloch Timber Bear Parts Compatibility with Devices
 - Mcculloch Timber Bear Parts Enhanced eBook Features
7. Enhancing Your Reading Experience
 - Adjustable Fonts and Text Sizes of Mcculloch Timber Bear Parts
 - Highlighting and Note-Taking Mcculloch Timber Bear Parts
 - Interactive Elements Mcculloch Timber Bear Parts
8. Staying Engaged with Mcculloch Timber Bear Parts
 - Joining Online Reading Communities
 - Participating in Virtual Book Clubs
 - Following Authors and Publishers Mcculloch Timber Bear Parts
9. Balancing eBooks and Physical Books Mcculloch Timber Bear Parts
 - Benefits of a Digital Library
 - Creating a Diverse Reading Collection Mcculloch Timber Bear Parts
10. Overcoming Reading Challenges
 - Dealing with Digital Eye Strain
 - Minimizing Distractions
 - Managing Screen Time
11. Cultivating a Reading Routine Mcculloch Timber Bear Parts
 - Setting Reading Goals Mcculloch Timber Bear Parts
 - Carving Out Dedicated Reading Time
12. Sourcing Reliable Information of Mcculloch Timber Bear Parts
 - Fact-Checking eBook Content of Mcculloch Timber Bear Parts
 - Distinguishing Credible Sources
13. Promoting Lifelong Learning

- Utilizing eBooks for Skill Development
 - Exploring Educational eBooks
14. Embracing eBook Trends
- Integration of Multimedia Elements
 - Interactive and Gamified eBooks

Mcculloch Timber Bear Parts Introduction

In this digital age, the convenience of accessing information at our fingertips has become a necessity. Whether its research papers, eBooks, or user manuals, PDF files have become the preferred format for sharing and reading documents. However, the cost associated with purchasing PDF files can sometimes be a barrier for many individuals and organizations. Thankfully, there are numerous websites and platforms that allow users to download free PDF files legally. In this article, we will explore some of the best platforms to download free PDFs. One of the most popular platforms to download free PDF files is Project Gutenberg. This online library offers over 60,000 free eBooks that are in the public domain. From classic literature to historical documents, Project Gutenberg provides a wide range of PDF files that can be downloaded and enjoyed on various devices. The website is user-friendly and allows users to search for specific titles or browse through different categories. Another reliable platform for downloading Mcculloch Timber Bear Parts free PDF files is Open Library. With its vast collection of over 1 million eBooks, Open Library has something for every reader. The website offers a seamless experience by providing options to borrow or download PDF files. Users simply need to create a free account to access this treasure trove of knowledge. Open Library also allows users to contribute by uploading and sharing their own PDF files, making it a collaborative platform for book enthusiasts. For those interested in academic resources, there are websites dedicated to providing free PDFs of research papers and scientific articles. One such website is Academia.edu, which allows researchers and scholars to share their work with a global audience. Users can download PDF files of research papers, theses, and dissertations covering a wide range of subjects. Academia.edu also provides a platform for discussions and networking within the academic community. When it comes to downloading Mcculloch Timber Bear Parts free PDF files of magazines, brochures, and catalogs, Issuu is a popular choice. This digital publishing platform hosts a vast collection of publications from around the world. Users can search for specific titles or explore various categories and genres. Issuu offers a seamless reading experience with its user-friendly interface and allows users to download PDF files for offline reading. Apart from dedicated platforms, search engines also play a crucial role in finding free PDF files. Google, for instance, has an advanced search feature that allows users to filter results by file type. By specifying the file type as "PDF," users can find websites that offer free PDF downloads on a specific topic. While downloading Mcculloch Timber Bear Parts free PDF files is convenient,

its important to note that copyright laws must be respected. Always ensure that the PDF files you download are legally available for free. Many authors and publishers voluntarily provide free PDF versions of their work, but its essential to be cautious and verify the authenticity of the source before downloading Mcculloch Timber Bear Parts. In conclusion, the internet offers numerous platforms and websites that allow users to download free PDF files legally. Whether its classic literature, research papers, or magazines, there is something for everyone. The platforms mentioned in this article, such as Project Gutenberg, Open Library, Academia.edu, and Issuu, provide access to a vast collection of PDF files. However, users should always be cautious and verify the legality of the source before downloading Mcculloch Timber Bear Parts any PDF files. With these platforms, the world of PDF downloads is just a click away.

FAQs About Mcculloch Timber Bear Parts Books

How do I know which eBook platform is the best for me? Finding the best eBook platform depends on your reading preferences and device compatibility. Research different platforms, read user reviews, and explore their features before making a choice. Are free eBooks of good quality? Yes, many reputable platforms offer high-quality free eBooks, including classics and public domain works. However, make sure to verify the source to ensure the eBook credibility. Can I read eBooks without an eReader? Absolutely! Most eBook platforms offer web-based readers or mobile apps that allow you to read eBooks on your computer, tablet, or smartphone. How do I avoid digital eye strain while reading eBooks? To prevent digital eye strain, take regular breaks, adjust the font size and background color, and ensure proper lighting while reading eBooks. What the advantage of interactive eBooks? Interactive eBooks incorporate multimedia elements, quizzes, and activities, enhancing the reader engagement and providing a more immersive learning experience. Mcculloch Timber Bear Parts is one of the best book in our library for free trial. We provide copy of Mcculloch Timber Bear Parts in digital format, so the resources that you find are reliable. There are also many Ebooks of related with Mcculloch Timber Bear Parts. Where to download Mcculloch Timber Bear Parts online for free? Are you looking for Mcculloch Timber Bear Parts PDF? This is definitely going to save you time and cash in something you should think about.

Find Mcculloch Timber Bear Parts :

[inventory management system project vb in documentation](#)

iveco service manual 50c15

introduction to programming in python an interdisciplinary approach

[introduction to linear regression analysis fifth edition set](#)

[iso 17025 procedures checklist documents by](#)

itil sample questions and answers for interview

[islamic general knowledge questions answers](#)

[jitolee self help group constitution](#)

[invasive species management a handbook of principles and techniques techniques in ecology conservation](#)

java servlet questions and answers

[itil foundation study](#)

inventor business book 3

[jesus and the rich man](#)

[iso 17025 quality manual](#)

john freund mathematical statistics solution

Mcculloch Timber Bear Parts :

team for success textbooks accounting principles 11th edition - Mar 16 2022

web support wileyplus featured help topics clear your cache student registration making assignments instructors using the gradebook instructor training new user

wiley school solutions - May 18 2022

web the team for success is focused on helping students get the most out of their accounting courses in the digital age more students get accounting when using a text by the team

wileyplus - Jan 26 2023

web chapter 1 accounting in action chapter 2 the recording process chapter 3 adjusting the accounts chapter 4 completing the accounting cycle chapter 5 accounting

wileyplus - Apr 16 2022

web 98 95 can accounting principles 9th canadian edition empowers students to succeed by providing a clear overview of fundamental financial and managerial accounting

[chapter 6 solutions financial accounting ninth edition](#) - May 30 2023

web financial accounting tools for business decision making 7th canadian edition by paul kimmel jerry weygandt donald kieso barbara trenholm wayne irvine and chris

[financial accounting 10th edition wileyplus](#) - Dec 25 2022

web access financial accounting 10e wileyplus next generation loose leaf 10th edition chapter 5 solutions now our solutions are written by chegg experts so you can be

wileyplus wileyplus - Jun 30 2023

web access financial accounting ninth edition wileyplus card 9th edition chapter 6 solutions now our solutions are written by chegg experts so you can be assured of

chapter 5 solutions financial accounting 10e wileyplus next - Oct 23 2022

web wileyplus for cost accounting introduces an adaptive managerial accounting refresher that helps students practice retain and recall foundational content allowing instructors

accounting principles 9th canadian edition wileyplus - Feb 12 2022

web wileyplus homework answers service is a platform to enhance your skills as a student and it is most efficient at doing that for most students some students however will have a

accounting wileyplus - Apr 28 2023

web wileyplus ignite student potential oable streamline your institution s open access administration workflows with this management software solution cochrane library

software development cost accounting for saas cloud and on - Nov 11 2021

chapter 10 solutions intermediate accounting sixteenth - Sep 02 2023

web access intermediate accounting sixteenth edition wileyplus student package 16th edition chapter 10 solutions now our solutions are written by chegg experts so you

intermediate accounting 18th edition wileyplus - Feb 24 2023

web wileyplus seamlessly connects with all major learning management software systems keep costs low ask your wiley representative about our affordable solutions join the

intermediate accounting sixteenth edition wileyplus student - Oct 03 2023

web our interactive player makes it easy to find solutions to intermediate accounting sixteenth edition wileyplus student package 16th edition problems you re working on

acct principles wileyplus nextgen 14th edition - Nov 23 2022

web jul 10 2023 looking for a foolproof way to tackle your wileyplus assignments look no further in this youtube short we ve got you covered with an easy step by step gui

advanced accounting 6th edition wileyplus - Jul 20 2022

web accounting cycle connections thoroughly revised accounting cycle chapters and topics now help students make

connections between the different steps of the accounting
support wileyplus - Jan 14 2022

web oct 30 2023 by sandie kim senior consultation partner national office for accounting and reporting services and us
audit assurance technology industry professional

accounting wiley - Mar 28 2023

web intermediate accounting by donald kieso jerry weygandt and terry warfield has always been and continues to be the gold
standard bridge to the profession the new and

accounting tools for business decision making 8th edition - Jun 18 2022

web legacy and new wileyplus are now one platform learn how to access your course

how to get wileyplus solutions youtube - Sep 21 2022

web advanced accounting 6th edition by debra c jeter paul k chaney designed for the advanced accounting course advanced
accounting delivers a balanced and detailed

wileyplus answers wileyplus homework answers and help - Dec 13 2021

course catalog wileyplus - Aug 01 2023

web accounting accounting information systems connecting careers systems and analytics 1st edition by arline savage
danielle brannock and alicja fokinska

cost accounting with integrated data analytics 1st edition - Aug 21 2022

web accounting tools for business decision making by paul kimmel jerry weygandt and jill mitchell provides a practical
introduction to financial and managerial accounting with a

catia dmu kinematics tutorial 1 youtube - Jul 13 2023

web sep 4 2015 cube and base simulation based on catia v5 tutorials mechanism design animation by zamani weaver sdc
publications samson lee

dmu kinematics lesson1 3d cad model library grabcad - Dec 26 2021

web jul 24 2013 this zipped folder contains lesson1 of dmu kinematics step by step video tutorials

dmu kinematic simulation car suspension tutorial grabcad - Jul 01 2022

web jun 5 2015 this is so basic tutorial you can learn by yourself there are easy parts for you to follow on if you have any
questions i will try to do dmu kinematic simulation

dmu kinematics tutorial grabcad tutorials - Aug 02 2022

web feb 23 2017 the computer aided design cad files and all associated content posted to this website are created uploaded

managed and owned by third party users

catia v5 dmu kinematics udemy - Jun 12 2023

web description this course focuses various options available within the dmu kinematics kin workbench which allows the user to build and simulate mechanisms within a catia

differences between assembly design and dmu kinematics - Sep 03 2022

web aug 25 2023 differences between assembly design and dmu kinematics 3d comparison 25 aug 2023 09 41 am the main difference between assembly design

catia v5 r21 dmu kinematic tutorial dokumen tips - Feb 25 2022

web catia v5 r21 dmu kinematic tutorial download pdf report upload capitanodesa view 258 download 71 tags student notes dassault systmes embed size px

dmu kinematics digital mockup introduction catia - Aug 14 2023

web mar 3 2017 dmu kinematics digital mockup 1 what is the purpose 1 to check actual mechanism working of the machine parts 2 we can check the swept volume of the

catia v5 dmu kinematics basics simulation with - May 11 2023

web mar 25 2021 in this post i will show you the basics you can anytime use this material to practice your skills with dmu kinematics in catia v5 in my future i posts will show you

catia dmu kinematics tutorial 5 youtube - Oct 24 2021

web catia dmu kinematics tutorial 5 samson lee 2 17k subscribers subscribe 21k views 7 years ago planetary gear mechanism based on catia v5 tutorials

tutoriel catia dmu kinematics courbe de mouvement - Jan 27 2022

web apr 7 2022 tutoriel catia dmu kinematics courbe de mouvement dans ce tutoriel je partage avec vous les étapes de la simulation d un mécanisme à came et aussi

dmu kinematics simulator - Apr 10 2023

web dmu kinematics simulator is a dedicated dmu navigator workbench and is available on both unix and windows nt environments this guide is organized as follows getting

dmu kinematics simulator free - Nov 05 2022

web dmu kinematics simulator is a dedicated dmu navigator workbench and is available on both unix and windows environments before reading this guide before reading this

catia dmu kinematics tutorial 3 youtube - Jan 07 2023

web sep 11 2015 catia dmu kinematics tutorial 1 samson lee 46k views 7 years ago spherical joint rigid joint dmu

kinematics digital mockup catia v5

catia v5 dmu kinematics basics simulation with laws - Mar 29 2022

web mar 26 2021 step 1 in dmu generic animation toolbar click the icon simulation in the dialog box select the simulation object and click ok if you preselect the object in the

catia v5 dmu kinematic udemy - Feb 08 2023

web description in this online course we will start from absolute zero in dmu kinematics in catia v5 and make our way to a professional level we won t leave any concept before

catia dmu kinematics simulator pdf dialog box scribd - Apr 29 2022

web description glossary index dassault systèmes 1994 2000 all rights reserved f preface dmu kinematics simulator is an independent cad product dedicated to simulating

tutorial dmu kinematics catia v5 youtube - May 31 2022

web tutorial dmu kinematics catia v5 jose luis martin 946 subscribers subscribe 788 views 2 years ago a short video how to setting up dmu kinematics in catia v5 show more

tutorial dmu kinematics planar joint part1 - Sep 22 2021

catia kinematics 3dexperience r2019x table of - Nov 24 2021

web introduction catia version 6 kinematics upon completion of this course the student should have a full understanding of the following topics creating joints creating

tutorial catia dmu kinematics pdf scribd - Oct 04 2022

web tutorial catia dmu kinematics free download as pdf file pdf text file txt or view presentation slides online

dmu kinematics tutorials grabcad questions - Dec 06 2022

web mar 7 2012 dmu kinematics tutorials alireza skh 7 mar 2012 11 15 am anyone has any tutorials for dmu kinematic except the catia documentation 5 answer abhijeet

catia v5 dmu kinematics tutorial youtube - Mar 09 2023

web mar 29 2020 revolute joint compile simulation generate replay animation video file dmu digital mockup catia v5 cad tutorials for

die tragödie theorie und geschichte kleine vandenhoeck - Aug 22 2022

web may 22 2023 audio software images toggle navigation theorie und geschichte göttingen vandenhoeck und ruprecht 1995 kleine vandenhoeck reihe 1570 s 14 ist die herausbildung dieses verständnisses folgt einer langen tradition der tragödie die auf eine 2500 jährige geschichte zurückblicken kann die tragodie by hans dieter gelfert 9783525335949

die tragodie theorie und geschichte kleine vanden pdf - Aug 02 2023

web tragödientheorie nach aristoteles gottsched und lessing die tragödie geschichte der dramatischen theorien in deutschland im 18 jahrhundert lessing s theorie der tragödie mit rücksicht auf die controverse über die katharsis rton pathematon das libretto geschichte der poetischen theorie und kritik die tragodie theorie und geschichte

die tragodie theorie und geschichte kleine vanden pdf - Dec 26 2022

web systementwurf urtheil und seyn heute als wegweisend für den deutschen idealismus gilt ist hölderlins spätere naturphilosophische revision dieser konzeption noch weitgehend unverstanden

die tragodie theorie und geschichte kleine vanden copy - Sep 22 2022

web die tragodie theorie und geschichte kleine vanden die tragodie theorie und geschichte kleine vanden 2 downloaded from assets ceu social on 2023 02 07 by guest lessing bis büchner und diskutiert unter anderem die gattungspoetik der tragödie die metaphysik des tragischen sowie physiologische und philosophische affekttheorien

die tragodie theorie und geschichte kleine vanden copy - Nov 24 2022

web die tragodie theorie und geschichte kleine vanden lessing und aristoteles oct 02 2022 schiller the dramatist may 17 2021 in examining schiller s often neglected use of gesture this study treats his dramas as written to be performed not merely read die theorie des aristoteles und die tragödie der

die tragodie theorie und geschichte kleine vanden 2023 - Jun 19 2022

web rhetorik metrik stilistik und theorie der europäischen literaturen zusätzlich vermittelt das lexikon einen weit gefassten Überblick über schriftstellerkreise institutionen sowie über das buch und verlagswesen umfangreiche artikel zu den wichtigsten epochen strömungen und gattungen führen in die literaturgeschichte ein was ist neu

die tragodie theorie und geschichte kleine vanden copy - Apr 17 2022

web die tragodie theorie und geschichte kleine vanden realität imagination und theorie innovation konvention european theories of the drama geschichte der theorie der tragödie einföhrung in die dramenanalyse peter hacks heiner müller und das antagonistische drama des sozialismus die tragödie der moderne facing loss and

die tragodie theorie und geschichte kleine vanden 2023 - Feb 13 2022

web mar 21 2023 connections if you point to download and install the die tragodie theorie und geschichte kleine vanden it is unconditionally simple then back currently we extend the belong to to buy and create bargains to download and install die tragodie theorie und geschichte kleine vanden consequently simple weltliteratur im 20

die tragodie theorie und geschichte kleine vanden copy - Mar 17 2022

web may 14 2023 die tragodie theorie und geschichte kleine vanden 2 6 downloaded from uniport edu ng on may 14 2023 by guest bibliographie zur organisation von staat verwaltung wirtschaft reinhard karl julius badenhoop 1966 european elites

and ideas of empire 1917 1957 dina gusejnova 2016 06 16 explores european

die tragodie theorie und geschichte kleine vanden pdf - Jul 01 2023

web sep 11 2023 die tragodie theorie und geschichte kleine vanden 3 5 downloaded from uniport edu ng on september 11 2023 by guest unavailable in english the authors intend to provoke conversation and inspire research on the role that this much misunderstood philosopher and cultural critic has played or should play in the history of economics

die tragödie theorie und geschichte kleine vandenhoeck - May 31 2023

web die tragodie theorie und geschichte kleine vandenhoeck reihe 30 apr 1995 by hans dieter gelfert paperback 16 08 16 30 only 1 vandenhoeck und ruprecht göttingen 1980 u ö jörg disse kleine geschichte der abendländischen metaphysik von platon bis hegel primus u a darmstadt 2001 u ö isbn 3 89678 412 9 die

die tragodie theorie und geschichte kleine vanden - Mar 29 2023

web die tragodie theorie und geschichte kleine vanden die tragodie theorie und geschichte kleine vanden 2 downloaded from donate pfi org on 2021 11 30 by guest manipulate living beings in ways and to an extent wh ich not too long aga seemed utopian the empirical progress promises further and even more radical developments in the

die tragodie theorie und geschichte kleine vanden daniel bodi - Feb 25 2023

web comprehending as competently as understanding even more than extra will find the money for each success bordering to the pronouncement as with ease as sharpness of this die tragodie theorie und geschichte kleine vanden can be taken as competently as picked to act benjamin s library jane o newman 2011 12 15

die tragodie theorie und geschichte kleine vanden download - Apr 29 2023

web die tragodie theorie und geschichte kleine vanden mythologische genauigkeit dramaturgie oder theorie und geschichte der dramatischen kunst apathy in literature a discourse on emotionless characters and concepts history and totality european theories of the drama die entwicklung der tragödie in theorie und praxis von gottsched bis

die tragodie theorie und geschichte kleine vanden uniport edu - Jan 27 2023

web may 21 2023 die tragodie theorie und geschichte kleine vanden 2 9 downloaded from uniport edu ng on may 21 2023 by guest detektivliteratur bei sophokles schiller und kleist claus reinert 1975 lady cottington mein geheimes elfen album terry jones 1995 nach dem tod von lady cottington die

die tragodie theorie und geschichte kleine vanden copy - Oct 24 2022

web oct 2 2023 die tragodie theorie und geschichte kleine vanden 1 4 downloaded from uniport edu ng on october 2 2023 by guest die tragodie theorie und geschichte kleine vanden eventually you will extremely discover a new experience and deed by spending more cash yet when

die tragodie theorie und geschichte kleine vanden 2023 - Oct 04 2023

web die tragodie theorie und geschichte kleine vanden tragedy and dramatic theatre oct 29 2021 this comprehensive authoritative account of tragedy is the culmination of hans thies lehmann s groundbreaking contributions to theatre and performance scholarship it is a major milestone in our understanding of this core foundation of the

die tragödie theorie und geschichte kleine vandenhoeck reihe - Sep 03 2023

web die tragödie theorie und geschichte kleine vandenhoeck reihe gelfert hans dieter isbn 9783525335949 kostenloser versand für alle bücher mit versand und verkauf duch amazon

die tragodie theorie und geschichte kleine vanden victor - Jul 21 2022

web it is your unquestionably own time to ham it up reviewing habit in the middle of guides you could enjoy now is die tragodie theorie und geschichte kleine vanden below fachdienst germanistik 1995 literarisches zentralblatt für deutschland 1879 literarische echo 1901 metzler lexikon literatur dieter burdorf 2017 01 13

die tragodie theorie und geschichte kleine vanden uniport edu - May 19 2022

web apr 3 2023 die tragodie theorie und geschichte kleine vanden is available in our digital library an online access to it is set as public so you can download it instantly our books collection saves in multiple countries allowing you to get the most less latency time