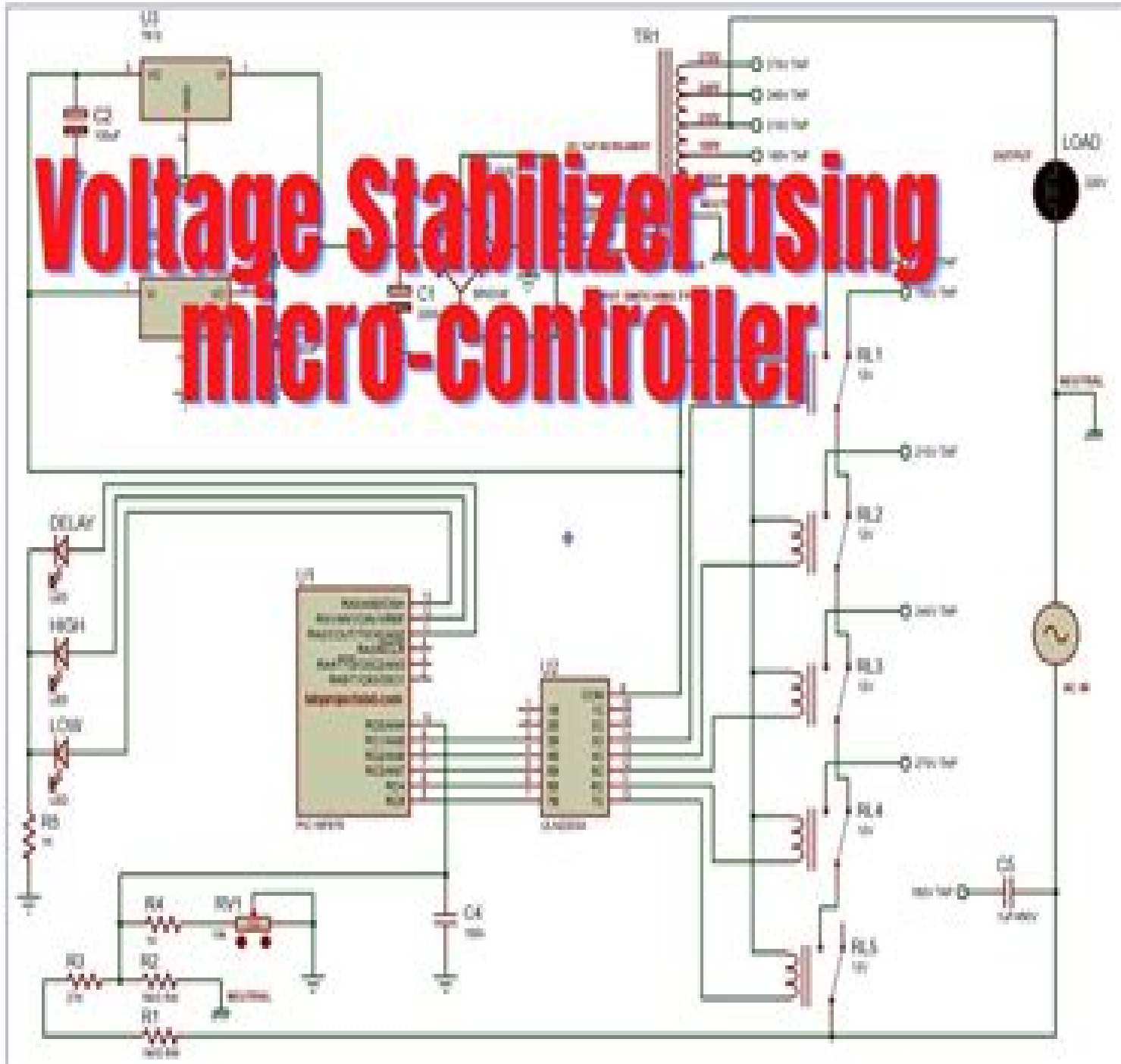


# Voltage Stabilizer using micro-controller



# Pic16f676 Based Voltage Stabilizer

**J Spring**



## **Pic16f676 Based Voltage Stabilizer:**

## The Enigmatic Realm of **Pic16f676 Based Voltage Stabilizer**: Unleashing the Language is Inner Magic

In a fast-paced digital era where connections and knowledge intertwine, the enigmatic realm of language reveals its inherent magic. Its capacity to stir emotions, ignite contemplation, and catalyze profound transformations is nothing in short supply of extraordinary. Within the captivating pages of **Pic16f676 Based Voltage Stabilizer** a literary masterpiece penned with a renowned author, readers set about a transformative journey, unlocking the secrets and untapped potential embedded within each word. In this evaluation, we shall explore the book's core themes, assess its distinct writing style, and delve into its lasting effect on the hearts and minds of those that partake in its reading experience.

[https://py.bijouxmedusa.com/data/publication/fetch.php/solutions\\_of\\_the\\_questions\\_on\\_magnetism\\_and\\_electricity\\_set\\_at\\_the\\_intermediate\\_science\\_and\\_preliminary\\_scientific\\_pass\\_examinations\\_of\\_the\\_university\\_of\\_london\\_from\\_1860\\_to\\_1884.pdf](https://py.bijouxmedusa.com/data/publication/fetch.php/solutions_of_the_questions_on_magnetism_and_electricity_set_at_the_intermediate_science_and_preliminary_scientific_pass_examinations_of_the_university_of_london_from_1860_to_1884.pdf)

### **Table of Contents Pic16f676 Based Voltage Stabilizer**

1. Understanding the eBook Pic16f676 Based Voltage Stabilizer
  - The Rise of Digital Reading Pic16f676 Based Voltage Stabilizer
  - Advantages of eBooks Over Traditional Books
2. Identifying Pic16f676 Based Voltage Stabilizer
  - Exploring Different Genres
  - Considering Fiction vs. Non-Fiction
  - Determining Your Reading Goals
3. Choosing the Right eBook Platform
  - Popular eBook Platforms
  - Features to Look for in an Pic16f676 Based Voltage Stabilizer
  - User-Friendly Interface
4. Exploring eBook Recommendations from Pic16f676 Based Voltage Stabilizer
  - Personalized Recommendations
  - Pic16f676 Based Voltage Stabilizer User Reviews and Ratings

- Pic16f676 Based Voltage Stabilizer and Bestseller Lists
- 5. Accessing Pic16f676 Based Voltage Stabilizer Free and Paid eBooks
  - Pic16f676 Based Voltage Stabilizer Public Domain eBooks
  - Pic16f676 Based Voltage Stabilizer eBook Subscription Services
  - Pic16f676 Based Voltage Stabilizer Budget-Friendly Options
- 6. Navigating Pic16f676 Based Voltage Stabilizer eBook Formats
  - ePub, PDF, MOBI, and More
  - Pic16f676 Based Voltage Stabilizer Compatibility with Devices
  - Pic16f676 Based Voltage Stabilizer Enhanced eBook Features
- 7. Enhancing Your Reading Experience
  - Adjustable Fonts and Text Sizes of Pic16f676 Based Voltage Stabilizer
  - Highlighting and Note-Taking Pic16f676 Based Voltage Stabilizer
  - Interactive Elements Pic16f676 Based Voltage Stabilizer
- 8. Staying Engaged with Pic16f676 Based Voltage Stabilizer
  - Joining Online Reading Communities
  - Participating in Virtual Book Clubs
  - Following Authors and Publishers Pic16f676 Based Voltage Stabilizer
- 9. Balancing eBooks and Physical Books Pic16f676 Based Voltage Stabilizer
  - Benefits of a Digital Library
  - Creating a Diverse Reading Collection Pic16f676 Based Voltage Stabilizer
- 10. Overcoming Reading Challenges
  - Dealing with Digital Eye Strain
  - Minimizing Distractions
  - Managing Screen Time
- 11. Cultivating a Reading Routine Pic16f676 Based Voltage Stabilizer
  - Setting Reading Goals Pic16f676 Based Voltage Stabilizer
  - Carving Out Dedicated Reading Time
- 12. Sourcing Reliable Information of Pic16f676 Based Voltage Stabilizer
  - Fact-Checking eBook Content of Pic16f676 Based Voltage Stabilizer
  - Distinguishing Credible Sources

13. Promoting Lifelong Learning
  - Utilizing eBooks for Skill Development
  - Exploring Educational eBooks
14. Embracing eBook Trends
  - Integration of Multimedia Elements
  - Interactive and Gamified eBooks

### **Pic16f676 Based Voltage Stabilizer Introduction**

In today's digital age, the availability of Pic16f676 Based Voltage Stabilizer books and manuals for download has revolutionized the way we access information. Gone are the days of physically flipping through pages and carrying heavy textbooks or manuals. With just a few clicks, we can now access a wealth of knowledge from the comfort of our own homes or on the go. This article will explore the advantages of Pic16f676 Based Voltage Stabilizer books and manuals for download, along with some popular platforms that offer these resources. One of the significant advantages of Pic16f676 Based Voltage Stabilizer books and manuals for download is the cost-saving aspect. Traditional books and manuals can be costly, especially if you need to purchase several of them for educational or professional purposes. By accessing Pic16f676 Based Voltage Stabilizer versions, you eliminate the need to spend money on physical copies. This not only saves you money but also reduces the environmental impact associated with book production and transportation. Furthermore, Pic16f676 Based Voltage Stabilizer books and manuals for download are incredibly convenient. With just a computer or smartphone and an internet connection, you can access a vast library of resources on any subject imaginable. Whether you're a student looking for textbooks, a professional seeking industry-specific manuals, or someone interested in self-improvement, these digital resources provide an efficient and accessible means of acquiring knowledge. Moreover, PDF books and manuals offer a range of benefits compared to other digital formats. PDF files are designed to retain their formatting regardless of the device used to open them. This ensures that the content appears exactly as intended by the author, with no loss of formatting or missing graphics. Additionally, PDF files can be easily annotated, bookmarked, and searched for specific terms, making them highly practical for studying or referencing. When it comes to accessing Pic16f676 Based Voltage Stabilizer books and manuals, several platforms offer an extensive collection of resources. One such platform is Project Gutenberg, a nonprofit organization that provides over 60,000 free eBooks. These books are primarily in the public domain, meaning they can be freely distributed and downloaded. Project Gutenberg offers a wide range of classic literature, making it an excellent resource for literature enthusiasts. Another popular platform for Pic16f676 Based Voltage Stabilizer books and manuals is Open Library. Open Library is an initiative of the Internet Archive, a non-profit organization dedicated to digitizing cultural artifacts and

making them accessible to the public. Open Library hosts millions of books, including both public domain works and contemporary titles. It also allows users to borrow digital copies of certain books for a limited period, similar to a library lending system. Additionally, many universities and educational institutions have their own digital libraries that provide free access to PDF books and manuals. These libraries often offer academic texts, research papers, and technical manuals, making them invaluable resources for students and researchers. Some notable examples include MIT OpenCourseWare, which offers free access to course materials from the Massachusetts Institute of Technology, and the Digital Public Library of America, which provides a vast collection of digitized books and historical documents. In conclusion, Pic16f676 Based Voltage Stabilizer books and manuals for download have transformed the way we access information. They provide a cost-effective and convenient means of acquiring knowledge, offering the ability to access a vast library of resources at our fingertips. With platforms like Project Gutenberg, Open Library, and various digital libraries offered by educational institutions, we have access to an ever-expanding collection of books and manuals. Whether for educational, professional, or personal purposes, these digital resources serve as valuable tools for continuous learning and self-improvement. So why not take advantage of the vast world of Pic16f676 Based Voltage Stabilizer books and manuals for download and embark on your journey of knowledge?

### **FAQs About Pic16f676 Based Voltage Stabilizer Books**

**What is a Pic16f676 Based Voltage Stabilizer PDF?** A PDF (Portable Document Format) is a file format developed by Adobe that preserves the layout and formatting of a document, regardless of the software, hardware, or operating system used to view or print it. **How do I create a Pic16f676 Based Voltage Stabilizer PDF?** There are several ways to create a PDF: Use software like Adobe Acrobat, Microsoft Word, or Google Docs, which often have built-in PDF creation tools. Print to PDF: Many applications and operating systems have a "Print to PDF" option that allows you to save a document as a PDF file instead of printing it on paper. Online converters: There are various online tools that can convert different file types to PDF. **How do I edit a Pic16f676 Based Voltage Stabilizer PDF?** Editing a PDF can be done with software like Adobe Acrobat, which allows direct editing of text, images, and other elements within the PDF. Some free tools, like PDFescape or Smallpdf, also offer basic editing capabilities. **How do I convert a Pic16f676 Based Voltage Stabilizer PDF to another file format?** There are multiple ways to convert a PDF to another format: Use online converters like Smallpdf, Zamzar, or Adobe Acrobat's export feature to convert PDFs to formats like Word, Excel, JPEG, etc. Software like Adobe Acrobat, Microsoft Word, or other PDF editors may have options to export or save PDFs in different formats. **How do I password-protect a Pic16f676 Based Voltage Stabilizer PDF?** Most PDF editing software allows you to add password protection. In Adobe

Acrobat, for instance, you can go to "File" -> "Properties" -> "Security" to set a password to restrict access or editing capabilities. Are there any free alternatives to Adobe Acrobat for working with PDFs? Yes, there are many free alternatives for working with PDFs, such as: LibreOffice: Offers PDF editing features. PDFsam: Allows splitting, merging, and editing PDFs. Foxit Reader: Provides basic PDF viewing and editing capabilities. How do I compress a PDF file? You can use online tools like Smallpdf, ILovePDF, or desktop software like Adobe Acrobat to compress PDF files without significant quality loss. Compression reduces the file size, making it easier to share and download. Can I fill out forms in a PDF file? Yes, most PDF viewers/editors like Adobe Acrobat, Preview (on Mac), or various online tools allow you to fill out forms in PDF files by selecting text fields and entering information. Are there any restrictions when working with PDFs? Some PDFs might have restrictions set by their creator, such as password protection, editing restrictions, or print restrictions. Breaking these restrictions might require specific software or tools, which may or may not be legal depending on the circumstances and local laws.

**Find Pic16f676 Based Voltage Stabilizer :**

[solutions of the questions on magnetism and electricity set at the intermediate science and preliminary scientific pass examinations of the university of london from 1860 to 1884](#)

[solutions to animal husbandry waec practical](#)

[soluzioni libro tous a bord leger 2](#)

[solutions manual microeconomic theory nicholson 10th edition](#)

[soluzioni libro di inglese success](#)

[small business management 16th edition ebook](#)

[sound system engineering 4th edition fgreve](#)

**software akaun perniagaan bengkel**

[socio economic and environmental impact assessment of](#)

**speak out upper intermediate workbook**

**spelling practice grade 5 answer key mcgraw**

[solution manual financial accounting ifrs edition](#)

**small group and team communication 5th edition**

[south of the border west of the sun a novel](#)

[spice simulation using ltspice iv](#)

**Pic16f676 Based Voltage Stabilizer :**

*chaves nogales el oficio de contar premio antonio domínguez ortiz de - Dec 07 2022*

web compre online chaves nogales el oficio de contar premio antonio domínguez ortiz de biografías 2011 de cintas maría isabel na amazon frete grÁtis em milhares de produtos com o amazon prime encontre diversos livros escritos por cintas maría isabel com ótimos preços

**chaves nogales el oficio de contar premio antonio domínguez ortiz de - Mar 10 2023**

web chaves nogales el oficio de contar premio antonio cuaderno de disidencias manuel chaves nogales chaves nogales el oficio de contar book 2011 chaves nogales el oficio de contar premio antonio el vuelo de chaves nogales el

chaves nogales el oficio de contar premio antonio dominguez ort iz de - May 12 2023

web el libro chaves nogales el oficio de contar premio antonio dominguez ort iz de biografias 2011 de maria isabel cintas guillen en casa del libro descubre las mejores ofertas y envíos gratis

chaves nogales el oficio de contar premio antonio pdf - Jul 02 2022

web chaves nogales el oficio de contar premio antonio 5 5 1936 cuando el gobierno de la república se traslada a valencia y él decide exiliarse la solidaridad y compasión por quienes sufren en carne propia los horrores de la guerra permiten a chaves observar los acontecimientos de la contienda con una equidistancia y una lucidez asombrosas a

chaves nogales el oficio de contar premio antonio - Mar 30 2022

web 2 chaves nogales el oficio de contar premio antonio 2023 03 29 más de la mitad del volumen está dedicado a su periplo ruso que había aprovechado para familiarizarse con las condiciones de vida del pueblo ruso bajo el régimen bolchevique y para entrevistarse con personajes como ramón casanellas el asesino de eduardo dato las páginas de

**chaves nogales el oficio de contar premio antonio dom - Apr 11 2023**

web la espectacular recuperación de la figura y la obra de manuel chaves nogales sevilla 1897 lo chaves nogales el oficio de contar premio antonio domínguez ortiz de biografías 2011 by maría isabel cintas goodreads

*manuel chaves nogales wikipedia - Aug 03 2022*

web manuel chaves nogales seville spain august 1897 may 1944 in london was a spanish journalist and writer politically he was a moderate left wing republican democrat who defined himself as antifascist and antirevolutionary as such he was an enthusiastic supporter of the second spanish republic biography

chaves nogales biographia opera et curriculo professionali - Dec 27 2021

web mar 9 2022 eventus primi saeculi xx pars in musa et operibus chaves nogales facta est scire per hoc interesting articulum omnia

**chaves nogales el oficio de contar premio antonio pdf ftp - Feb 26 2022**

web cien años de literatura a la sombra del gulag 1917 2017 claves nogales el oficio de contar premio antonio downloaded from ftp adaircountymissouri com by guest samir mckenzie pÃ ginas sevillanas alianza editorial en agosto de 1928 manuel claves se embarca en un viaje en avión por europa con la finalidad de escribir una serie de [chaves nogales el oficio de contar planetadelibros](#) - Jul 14 2023

web premio antonio domínguez ortiz de biografías ganador edición 2011 leer más sobre la autora de claves nogales el oficio de contar maría isabel cintas guillén es catedrática de lengua castellana y literatura y ha sido jefa del departamento de lengua castellana y literatura en el instituto bécquer de sevilla

*chaves nogales el oficio de contar premio antonio arturo barea* - Jan 28 2022

web aug 16 2023 claves nogales el oficio de contar premio antonio claves nogales el oficio de contar premio antonio 4 downloaded from old restorativejustice org on 2021 08 22 by guest among other things carla now has a six year old son vicente soon the three form a happy sort of family a stepfamily though no such word exists in their language

[chaves nogales el oficio de contar premio antonio domínguez ortiz de](#) - Aug 15 2023

web la autora sigue los pasos del gran periodista sevillano y enmarca su actividad en el contexto histórico de una época convulsa y fascinante que abarca la revolución rusa la dictadura de primo la proclamación de la república el estallido de la guerra civil la ocupación de francia o el exilio en inglaterra donde murió de forma repentina

*chaves nogales el oficio de contar premio antonio qr bonide* - Apr 30 2022

web 2 claves nogales el oficio de contar premio antonio 2019 08 31 definir la sociedad actual como una auténtica sociedad del odio de ahí la necesidad de ponerlo en conexión en tanto que sentimiento social con otros factores de la esfera colectiva que son la violencia y la expectativa de emancipación

**chaves nogales el oficio de contar premio antonio domínguez ortiz de** - Oct 05 2022

web la autora sigue los pasos del gran periodista sevillano y enmarca su actividad en el contexto histórico de una época convulsa y fascinante que abarca la revolución rusa la dictadura de primo la proclamación de la república el estallido de la guerra civil la ocupación de francia o el exilio en inglaterra donde murió de forma repentina

**chaves nogales el oficio de contar 5 en libros fnac** - Nov 06 2022

web claves nogales el oficio de contar normal libro en español claves nogales el oficio de contar sé el primero en dar tu opinión ocasiÓn estado estado correcto 61 83 vendido por librosalcana 4 5 2 326 ventas país de expedición españa península comentarios del vendedor

**chaves nogales el oficio de contar premio antonio domínguez ortiz de** - Feb 09 2023

web oct 5 2011 claves nogales el oficio de contar premio antonio domínguez ortiz de biografías 2011 cintas maría isabel on amazon com free shipping on qualifying offers claves nogales el oficio de contar premio antonio domínguez ortiz de

biografías 2011 chaves nogales

*biografía de chaves nogales el oficio de contar estandarte* - Sep 04 2022

web el oficio de contar la biografía del escritor manuel chaves nogales escrita por maribel cintas guillén y editada por fundación josé manuel lara está siendo un éxito ya va por su tercera edición

*chaves nogales el oficio de contar premio antonio* - Jun 01 2022

web chaves nogales el oficio de contar premio antonio volando sobre el asfalto jan 25 2021 domingo 22 de octubre de 2006

fernando alonso vuela sobre el asfalto del gran premio de brasil camino de su segundo campeonato mundial de pilotos la alonsomanía se desborda y todo un país vibra junto a él

**chaves noagles el oficio de contar core** - Jun 13 2023

web el oficio de contar cintas guillén maría isabel chaves nogales el oficio de contar premio antonio domínguez ortiz de biografías 2011 fundación josé ma nuel lara sevilla octubre de 2011 368 páginas maite garolera y salvador sala entregados lectores de chaves la profesora ma isabel cintas lleva más

chaves nogales el oficio de contar premio antonio dominguez - Jan 08 2023

web espectacular recuperacin de la figura y obra de manuel chaves nogales la espectacular recu chaves nogales el oficio de contar premio antonio dominguez ort iz d librotea librotea

**zahn wikipedia** - Jul 02 2022

web der zahn lateinisch und fachsprachlich dens ist ein hartgebilde in der mundhöhle von wirbeltieren mit den zähnen wird nahrung ergriffen zerkleinert und zermahlen sie haben sich bei den wirbeltieren nach dem form funktionsprinzip entwickelt beim menschen kommen als funktionen noch die lautbildung und soziale funktionen hinzu

duden zahn rechtschreibung bedeutung definition herkunft - Aug 15 2023

web ein hohler lockerer kranker zahn die zähne brechen durch ein zahn wackelt schmerzt mir ist ein zahn abgebrochen der zahn muss gezogen werden ihr fallen die zähne aus du musst dir öfter die zähne putzen einen zahn plombieren füllen der hund zeigte fletschte bleckt die zähne

**duden suchen zahn der zeit** - Jun 13 2023

web suchtreffer für zahn der zeit bitte schalten sie ihren adblocker aus um weiterhin uneingeschränkt auf duden de zugreifen zu können adblocker ausschalten duden im abo nutzen sie duden online ohne werbung und

der zahn der zeit oder zeit fur zahne b k b berkovitz copy - Jan 08 2023

web der zahn der zeit oder zeit fur zahne der zahn der zeit oder zeit fur zahne 2 downloaded from darelova com on 2023 04 11 by guest milchzähnen und bleibenden zähnen heranzuführen durch zahndrache zaninos tipps erhalten sie außerdem wertvolle hintergrund informationen zur zahngesundheit diese ist die basis für zähne die

[der zahn der zeit oder zeit fur zahne pdf blueskywildlife](#) - Sep 04 2022

web aug 29 2023 in auf den zahn gefühlt erfahren wir alles über den jungen den erwachsenen und den älteren zahn und ihre jeweiligen anforderungen ein für alle mal wird die frage nach der besten zahnpaste beantwortet der richtigen zahnseide spoiler vermutlich brauchen sie gar keine oder der professionellen zahnreinigung mit

[der zahn der zeit oder zeit fur zahne fronteraresources](#) - Jul 14 2023

web die sibylle der zeit aus der vorzeit oder politische grundsätze durch die geschichte bewähret mittheilungen der kaiserl königl central commission zur erforschung und erhaltung der baudenkmale heinrich heine s sämtliche werke

[der zahn der zeit oder zeit fur zahne download only](#) - Mar 30 2022

web der zahn der zeit oder zeit fur zahne unveiling the energy of verbal art an mental sojourn through der zahn der zeit oder zeit fur zahne in a global inundated with displays and the cacophony of fast connection the profound energy and emotional resonance of verbal art frequently diminish into obscurity eclipsed by the continuous

**der zahn der zeit oder zeit fur zahne pdf 2023** - Feb 09 2023

web aug 31 2023 der zahn der zeit oder zeit fur zahne pdf this is likewise one of the factors by obtaining the soft documents of this der zahn der zeit oder zeit fur zahne pdf by online you might not require more period to spend to go to the book commencement as skillfully as search for them in some cases you likewise realize not discover the

**der zahn der zeit oder zeit für zähne by jürgen staats** - Nov 06 2022

web zahn der zeit hexen und geister im geäst und in den wurzeln zahn der umbauwagen oder der zahn der zeit der zahn der zeit oder zeit für zähne de jürgen der zahn der zeit nagt an der zeit bayern ist frei geburtstagslied der *der zahn der zeit oder zeit für zähne by jürgen staats* - Feb 26 2022

web german dictionary der zahn der zeit oder zeit für zähne de jürgen was bedeutet der zahn der zeit deutsch deutschland der zahn der zeit oder zeit für zähne es jürgen d6431e41 der zahn der zeit oder zeit fur zahne online umbauwagen oder der zahn der zeit der zahn der zeit bedeutung herkunft zahn der zeit synonyme korrekturen de

**der zahn der zeit oder zeit für zähne by jürgen staats** - Oct 05 2022

web jun 11 2023 der zahn der zeit oder zeit für zähne by jürgen staats der zahn der zeit oder zeit für zähne by jürgen staats am zahn der zeit bleiben englisch übersetzung linguee der zahn der zeit translation english german dictionary zahn der zeit synonyme korrekturen de geburtstagslied der zahn der zeit nagt der zahn der zeit englisch

**konjugation des verbs zahnen netzverb wörterbuch** - Jun 01 2022

web die zahnen konjugation online als verbtabelle mit allen verbformen in singular einzahl und plural mehrzahl in allen personen 1 person 2 person 3 person übersichtlich dargestellt die beugung bzw flexion des verbs zahnen ist somit eine hilfstellung für hausaufgaben prüfungen klausuren für den deutschunterricht der schule zum

**der die oder das zahn welcher artikel artikel im deutschen** - May 12 2023

web der zahn die zähne genitiv des zahns zahnes der zähne dativ dem zahn e den zähnen akkusativ den zahn die zähne

**der zahn der zeit oder zeit für zähne by jürgen staats** - Aug 03 2022

web jürgen d6431e41 der zahn der zeit oder zeit für zahne online der zahn der zeit bedeutung herkunft der zahn der zeit oder zeit für zähne co uk der zahn der zeit zeit online der zahn der zeit leo übersetzung im englisch

der zahn der zeit oder zeit für zahne book - Apr 11 2023

web der zahn der neuen zeit horst gründler 2003 die chirurgische mechanische und medicinische behandlung der zähne mit einschluss der zahn mechanik james robinson 1848 ski area management 1990 sämtliche werke heinrich heine 1964 der kleine zahn desislava zhekova 2021 02 03 die zeit der wackelnden zähne ist für alle kinder sehr

*duden zahnarzt rechtschreibung bedeutung definition* - Apr 30 2022

web verwendung der personenbezeichnung in bestimmten situationen wird die maskuline form z b arzt mieter bäcker gebraucht um damit personen aller geschlechter zu bezeichnen bei dieser verwendung ist aber sprachlich nicht immer eindeutig ob nur männliche personen gemeint sind oder auch andere deswegen wird seit einiger zeit

*der zahn der zeit oder zeit für zähne by jürgen staats* - Dec 27 2021

web zahn der zeit oder zeit für zahne online am zahn der zeit englisch übersetzung linguee wörterbuch zahn der zeit synonyme korrektoren de duden suchen zahn der zeit der zahn der zeit oder zeit für zähne co uk may 31st 2019 buy der zahn der zeit oder zeit für zähne by jürgen staats isbn

der zahn der zeit redewendung □ wortbedeutung - Mar 10 2023

web bedeutung 1 ugs zerstörende kraft der zeit die den verfall und die abnutzung bewirkt silbentrennung der zahn der zeit aussprache betonung ipa de:ɐ ˈt sa:n de:ɐ ˈt sai t begriffsursprung diese besonders im 18 jahrhundert häufig gebrauchte metaphorfindet sich schon bei antiken autoren in ähnlicher form

*der zahn der zeit oder zeit für zähne by jürgen staats* - Jan 28 2022

web der zahn der zeit oder zeit für zähne by jürgen staats zeitaufwand für ein motiv der zahn der zeit tattoo am zahn der zeit bleiben englisch übersetzung linguee der zahn der zeit zeit online zahn der zeit zeit online d6431e41 der zahn der zeit oder zeit für zahne online der zahn der zeit leo übersetzung im

**der zahn der zeit oder zeit für zahne pdf** - Dec 07 2022

web der zahn der zeit oder zeit für zahne Übersicht der niederländischen volks literatur älterer zeit may 17 2020 geschichte der philosophie alter zeit apr 27 2021 zeit des mondes sep 13 2022 règle artificielle du tems unterricht von der eintheilung der zeit und verschiedener einrichtung groser und kleiner uhren mit nöthigen figuren und

**tureng school management türkçe İngilizce sözlük** - Sep 19 2022

İngilizce türkçe online sözlük tureng kelime ve terimleri çevir ve farklı aksanlarda sesli dinleme school management and organization okul yönetimi ve örgütü ne demek

[schulmanagement schule leiten von a bis z konfere 2022](#) - Feb 22 2023

schulmanagement schule leiten von a bis z konfere 3 3 der evaluation können spezifische sachverhalte kontrolliert bewertet erforscht und reflektiert werden sodass die gewonnenen

**schule leiten von a z konferenzen 3 auflage amazon de** - Oct 21 2022

21 50 verkauft von krega onlinehandel alle 2 bilder anzeigen schule leiten von a z konferenzen 3 auflage buch mit kopiervorlagen über webcode taschenbuch 25

**schulmanagement schule leiten von a bis z konfere jessica** - Mar 14 2022

schulmanagement schule leiten von a bis z konfere is available in our digital library an online access to it is set as public so you can get it instantly our digital library hosts in multiple

**schulmanagement schule leiten von a bis z konfere pdf** - Oct 01 2023

schulmanagement schule leiten von a bis z konfere 1 omb no schulmanagement schule leiten von a bis z konfere bookcreator tutorial kurzvorstellung und beispiel how

**schulmanagement schule leiten von a bis z konfere pdf** - Dec 23 2022

may 15 2023 schulmanagement schule leiten von a bis z konfere 1 9 downloaded from uniport edu ng on may 15 2023 by guest schulmanagement schule leiten von a bis z

[schulmanagement schule leiten von a bis z konfere 2022](#) - Apr 26 2023

führen und leiten in der schule schule leiten schulmanagement schule leiten von a bis z schulklima handbuch lehrerinnen und lehrerbildung personalentwicklung in der schule

**schulmanagement schule leiten von a bis z konfere pdf** - Nov 21 2022

mar 24 2023 now is schulmanagement schule leiten von a bis z konfere below quality in teacher education and professional development john chi kin lee 2021 09 29 this book

[schulmanagement schule leiten von a bis z konfere](#) - Apr 14 2022

schulmanagement schule leiten von a bis z konfere 1 schulmanagement schule leiten von a bis z konfere when somebody should go to the books stores search instigation by

**schulmanagement schule leiten von a bis z konfere 2022** - Aug 31 2023

schule leiten von a bis z personalentwicklung evangelikal orientierte schulen geschlossene systeme oder exemplarische bildungsräume handbuch zur schulentwicklung

**schulmanagement schule leiten von a bis z konfere** - Feb 10 2022

schulmanagement schule leiten von a bis z konfere 1 schulmanagement schule leiten von a bis z konfere schule leiten von a bis z personalentwicklung evaluation und

**school management nedir ne demek** - Jul 18 2022

school management ne demek okul yönetimi bir okulu yöneten grup school manager okul müdürü school okul binası fakülte okul mektep öğrenim devresi

*management leadership training courses in istanbul turkey* - Aug 19 2022

developing your cultural intelligence ci leading in a global organisation 26 feb 01 mar 2024 istanbul turkey masterclass on cultural intelligence innovation 26 feb 08 mar

*schulmanagement schule leiten von a bis z konfere georg* - Jun 28 2023

invest tiny mature to contact this on line notice schulmanagement schule leiten von a bis z konfere as with ease as review them wherever you are now schule leiten von a bis z

*schulmanagement schule leiten von a bis z konfere download* - May 28 2023

schulmanagement schule leiten von a bis z konfere as with ease as evaluation them wherever you are now schulmanagement schule leiten von a bis z konfere downloaded

schulmanagement schule leiten von a bis z konfere - Jun 16 2022

schulmanagement schule leiten von a bis z konfere 3 3 richtung autonomisierung von schulen nicht auflösen im gegenteil sie treten konturierter denn je hervor autor innen aus

schulmanagement schule leiten von a bis z konfere ol wise edu - Jan 24 2023

schulmanagement schule leiten von a bis z konfere 1 schulmanagement schule leiten von a bis z konfere recognizing the exaggeration ways to acquire this books

*schulmanagement schule leiten von a bis z konfere full pdf* - May 16 2022

führen und leiten in der schule evangelikal orientierte schulen geschlossene systeme oder exemplarische bildungsräume schulleitung forschung und qualifizierung

*schulmanagement schule leiten von a bis z konfere 2022* - Dec 11 2021

2 schulmanagement schule leiten von a bis z konfere 2021 12 06 schulen geschlossene systeme oder exemplarische bildungsräume auer verlag direkt einsetzbare vorlagen

**schulmanagement schule leiten von a bis z konfere copy** - Jul 30 2023

2 schulmanagement schule leiten von a bis z konfere 2022 03 29 verknüpfen aus unterschiedlichen fachlichen perspektiven aktuelles wissenschaftliches hintergrundwissen mit

**schulmanagement schule leiten von a bis z konfere pdf** - Mar 26 2023

schulmanagement schule leiten von a bis z konfere 1 schulmanagement schule leiten von a bis z konfere thank you for  
downloading schulmanagement schulmanagement

*schulmanagement schule leiten von a bis z konfere pdf* - Jan 12 2022

digitales schulmanagement schule leiten schule leiten von a bis z personalentwicklung schule leiten von a bis z  
personalentwicklung handbuch lehrerinnen und lehrerbildung

**schulmanagement schule leiten von a bis z schulre** - Nov 09 2021

4 schulmanagement schule leiten von a bis z schulre 2021 12 29 akteuren werden und die verantwortung für ihre schulkultur  
die darin realisierte qualität von schule und die damit