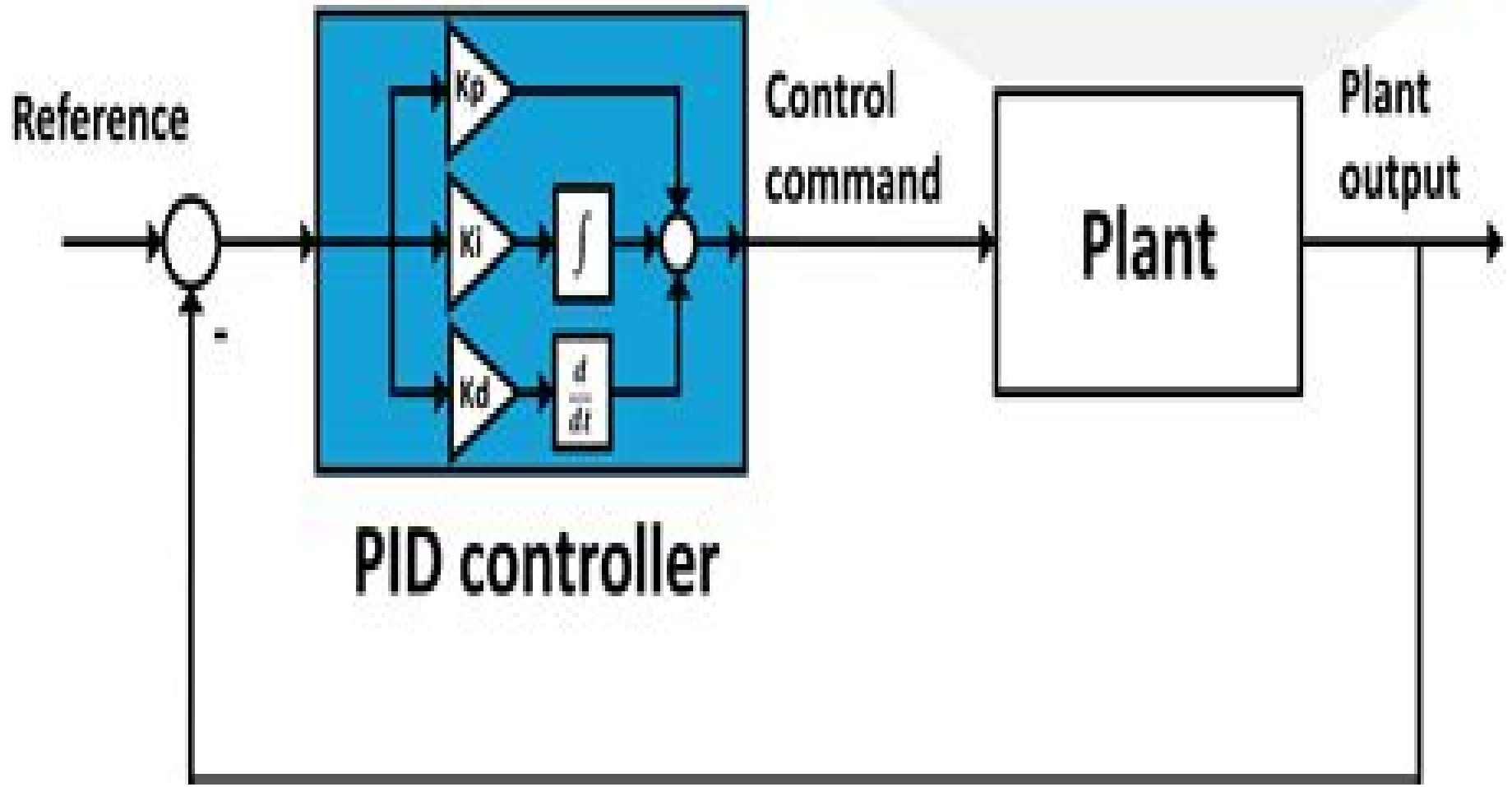


Example



Pid Control Of Dynamic Systems

Stanislaw Raczynski



Pid Control Of Dynamic Systems:

Fractional-order Modeling and Control of Dynamic Systems Aleksei Tepljakov, 2017-02-08 This book reports on an outstanding research devoted to modeling and control of dynamic systems using fractional order calculus It describes the development of model based control design methods for systems described by fractional dynamic models More than 300 years had passed since Newton and Leibniz developed a set of mathematical tools we now know as calculus Ever since then the idea of non integer derivatives and integrals universally referred to as fractional calculus has been of interest to many researchers However due to various issues the usage of fractional order models in real life applications was limited Advances in modern computer science made it possible to apply efficient numerical methods to the computation of fractional derivatives and integrals This book describes novel methods developed by the author for fractional modeling and control together with their successful application in real world process control scenarios *The Control Handbook* William S. Levine, 1996-02-23 This is the biggest most comprehensive and most prestigious compilation of articles on control systems imaginable Every aspect of control is expertly covered from the mathematical foundations to applications in robot and manipulator control Never before has such a massive amount of authoritative detailed accurate and well organized information been available in a single volume Absolutely everyone working in any aspect of systems and controls must have this book *PID Control* Finn Haugen, 2004 This book gives an easily understandable introduction to practical and theoretical aspects of PID control of dynamic systems Also covered are more advanced control structures based on the PID controller as cascade control ration control and multivariable control The book is well suited for introductory control courses in B Sc and in M Sc studies It is also a reference for the practical engineer **Control Systems Theory with Engineering Applications** Sergey E. Lyshevski, 2001-06-21 Dynamics systems living organisms electromechanical and industrial systems chemical and technological processes market and ecology and so forth can be considered and analyzed using information and systems theories For example adaptive human behavior can be studied using automatic feedback control As an illustrative example the driver controls a car changing the speed and steering wheels using incoming information such as traffic and road conditions This book focuses on the most important and manageable topics in applied multivariable control with application to a wide class of electromechanical dynamic systems A large spectrum of systems familiar to electrical mechanical and aerospace students engineers and scholars are thoroughly studied to build the bridge between theory and practice as well as to illustrate the practical application of control theory through illustrative examples It is the author's goal to write a book that can be used to teach undergraduate and graduate classes in automatic control and nonlinear control at electrical mechanical and aerospace engineering departments The book is also addressed to engineers and scholars and the examples considered allow one to implement the theory in a great variety of industrial systems The main purpose of this book is to help the reader grasp the nature and significance of multivariable control Feedback Control of Dynamic Systems

Gene F. Franklin, J. David Powell, Abbas Emami-Naeini, 1994 Emphasizing modern topics and techniques this text blends theory and real world practice mixes design and analysis introduces design early and represents physically what occurs mathematically in feedback control of dynamic systems Highlights of the book include realistic problems and examples from a wide range of application areas New to this edition are much sharper pedagogy an increase in the number of examples more thorough development of the concepts a greater range of homework problems a greater number and variety of worked out examples expanded coverage of dynamics modelling and Laplace transform topics and integration of MATLAB including many examples that are formatted in MATLAB

Reachable Sets of Dynamic Systems Stanislaw Raczynski, 2023-04-21 Reachable Sets of Dynamic Systems Uncertainty Sensitivity and Complex Dynamics introduces differential inclusions providing an overview as well as multiple examples of its interdisciplinary applications The design of dynamic systems of any type is an important issue as is the influence of uncertainty in model parameters and model sensitivity The possibility of calculating the reachable sets may be a powerful additional tool in such tasks This book can help graduate students researchers and engineers working in the field of computer simulation and model building in the calculation of reachable sets of dynamic models Introduces methodologies and approaches to the modeling and simulation of dynamic systems Presents uncertainty treatment and model sensitivity are described and interdisciplinary examples Explores applications of differential inclusions in modeling and simulation

Modeling, Analysis, and Control of Dynamic Systems William John Palm, 1983-01-28 An integrated presentation of both classical and modern methods of systems modeling response and control Includes coverage of digital control systems Details sample data systems and digital control Provides numerical methods for the solution of differential equations Gives in depth information on the modeling of physical systems and central hardware

Proceedings of the ASME Dynamic Systems and Control Division , 1996 Journal of Dynamic Systems, Measurement, and Control , 2003 Publishes theoretical and applied original papers in dynamic systems Theoretical papers present new theoretical developments and knowledge for controls of dynamical systems together with clear engineering motivation for the new theory Applied papers include modeling simulation and corroboration of theory with emphasis on demonstrated practicality

Proceedings of the ASME Dynamic Systems and Control Division--2003 , 2003 *Functional Manufacturing Technologies and Ceeusro II* Long Chen, Yong Kang Zhang, Ai Xin Feng, Zhenying Xu, Bo Quan Li, Han Shen, 2011-01-20 Selected peer reviewed papers of the 4th International Conference on Engineering Technologies and Ceeusro 2011 2011 Zhenjiang Jiangsu China

Control and Dynamic Systems Yasundo Takahashi, Michael Jerome Rabins, David M. Auslander, 1970 Advanced Research on Intelligent System, Mechanical Design Engineering and Information Engineering III Helen Zhang, David Jin, X.J. Zhao, 2014-05-28 Selected peer reviewed papers from the 2014 3rd International Conference on Intelligent Materials and Mechanical Engineering MEE 2014 May 24 25 2014 Guangzhou China

Dynamic Systems, Simulation, and Control I. I. Esat, S. W. E. Earles, Atila Ertas, 1994 *Process Control* Béla G.

Lipták,2013-10-02 Instrument Engineers Handbook Third Edition Process Control provides information pertinent to control hardware including transmitters controllers control valves displays and computer systems This book presents the control theory and shows how the unit processes of distillation and chemical reaction should be controlled Organized into eight chapters this edition begins with an overview of the method needed for the state of the art practice of process control This text then examines the relative merits of digital and analog displays and computers Other chapters consider the basic industrial annunciators and other alarm systems which consist of multiple individual alarm points that are connected to a trouble contact a logic module and a visual indicator This book discusses as well the data loggers available for process control applications The final chapter deals with the various pump control systems the features and designs of variable speed drives and the metering pumps This book is a valuable resource for engineers

11th Euromicro Workshop on Real-Time Systems ,1999 *Instrument Engineers' Handbook,(Volume 2) Third Edition* Bela G. Liptak,1995-05-15 This third edition of the Instrument Engineers Handbook most complete and respected work on process instrumentation and control helps you

Robust Control Design 2000 (ROCOND 2000) Vladimír Kučera,Michael Šebek,2000

Proceedings ,1980 **Proceedings of the First International Conference on Web Handling, May 19-22, 1991**
James K. Good,1993

The Enigmatic Realm of **Pid Control Of Dynamic Systems**: Unleashing the Language is Inner Magic

In a fast-paced digital era where connections and knowledge intertwine, the enigmatic realm of language reveals its inherent magic. Its capacity to stir emotions, ignite contemplation, and catalyze profound transformations is nothing short of extraordinary. Within the captivating pages of **Pid Control Of Dynamic Systems** a literary masterpiece penned by way of a renowned author, readers attempt a transformative journey, unlocking the secrets and untapped potential embedded within each word. In this evaluation, we shall explore the book's core themes, assess its distinct writing style, and delve into its lasting affect the hearts and minds of those who partake in its reading experience.

https://py.bijouxmedusa.com/public/scholarship/default.aspx/trends_for_small_business_73_2861_healthy_recipes_tutorial_america.pdf

Table of Contents Pid Control Of Dynamic Systems

1. Understanding the eBook Pid Control Of Dynamic Systems
 - The Rise of Digital Reading Pid Control Of Dynamic Systems
 - Advantages of eBooks Over Traditional Books
2. Identifying Pid Control Of Dynamic Systems
 - Exploring Different Genres
 - Considering Fiction vs. Non-Fiction
 - Determining Your Reading Goals
3. Choosing the Right eBook Platform
 - Popular eBook Platforms
 - Features to Look for in an Pid Control Of Dynamic Systems
 - User-Friendly Interface
4. Exploring eBook Recommendations from Pid Control Of Dynamic Systems
 - Personalized Recommendations
 - Pid Control Of Dynamic Systems User Reviews and Ratings

- Pid Control Of Dynamic Systems and Bestseller Lists
- 5. Accessing Pid Control Of Dynamic Systems Free and Paid eBooks
 - Pid Control Of Dynamic Systems Public Domain eBooks
 - Pid Control Of Dynamic Systems eBook Subscription Services
 - Pid Control Of Dynamic Systems Budget-Friendly Options
- 6. Navigating Pid Control Of Dynamic Systems eBook Formats
 - ePub, PDF, MOBI, and More
 - Pid Control Of Dynamic Systems Compatibility with Devices
 - Pid Control Of Dynamic Systems Enhanced eBook Features
- 7. Enhancing Your Reading Experience
 - Adjustable Fonts and Text Sizes of Pid Control Of Dynamic Systems
 - Highlighting and Note-Taking Pid Control Of Dynamic Systems
 - Interactive Elements Pid Control Of Dynamic Systems
- 8. Staying Engaged with Pid Control Of Dynamic Systems
 - Joining Online Reading Communities
 - Participating in Virtual Book Clubs
 - Following Authors and Publishers Pid Control Of Dynamic Systems
- 9. Balancing eBooks and Physical Books Pid Control Of Dynamic Systems
 - Benefits of a Digital Library
 - Creating a Diverse Reading Collection Pid Control Of Dynamic Systems
- 10. Overcoming Reading Challenges
 - Dealing with Digital Eye Strain
 - Minimizing Distractions
 - Managing Screen Time
- 11. Cultivating a Reading Routine Pid Control Of Dynamic Systems
 - Setting Reading Goals Pid Control Of Dynamic Systems
 - Carving Out Dedicated Reading Time
- 12. Sourcing Reliable Information of Pid Control Of Dynamic Systems
 - Fact-Checking eBook Content of Pid Control Of Dynamic Systems
 - Distinguishing Credible Sources

13. Promoting Lifelong Learning
 - Utilizing eBooks for Skill Development
 - Exploring Educational eBooks
14. Embracing eBook Trends
 - Integration of Multimedia Elements
 - Interactive and Gamified eBooks

Pid Control Of Dynamic Systems Introduction

In the digital age, access to information has become easier than ever before. The ability to download Pid Control Of Dynamic Systems has revolutionized the way we consume written content. Whether you are a student looking for course material, an avid reader searching for your next favorite book, or a professional seeking research papers, the option to download Pid Control Of Dynamic Systems has opened up a world of possibilities. Downloading Pid Control Of Dynamic Systems provides numerous advantages over physical copies of books and documents. Firstly, it is incredibly convenient. Gone are the days of carrying around heavy textbooks or bulky folders filled with papers. With the click of a button, you can gain immediate access to valuable resources on any device. This convenience allows for efficient studying, researching, and reading on the go. Moreover, the cost-effective nature of downloading Pid Control Of Dynamic Systems has democratized knowledge. Traditional books and academic journals can be expensive, making it difficult for individuals with limited financial resources to access information. By offering free PDF downloads, publishers and authors are enabling a wider audience to benefit from their work. This inclusivity promotes equal opportunities for learning and personal growth. There are numerous websites and platforms where individuals can download Pid Control Of Dynamic Systems. These websites range from academic databases offering research papers and journals to online libraries with an expansive collection of books from various genres. Many authors and publishers also upload their work to specific websites, granting readers access to their content without any charge. These platforms not only provide access to existing literature but also serve as an excellent platform for undiscovered authors to share their work with the world. However, it is essential to be cautious while downloading Pid Control Of Dynamic Systems. Some websites may offer pirated or illegally obtained copies of copyrighted material. Engaging in such activities not only violates copyright laws but also undermines the efforts of authors, publishers, and researchers. To ensure ethical downloading, it is advisable to utilize reputable websites that prioritize the legal distribution of content. When downloading Pid Control Of Dynamic Systems, users should also consider the potential security risks associated with online platforms. Malicious actors may exploit vulnerabilities in unprotected websites to distribute malware or steal personal information. To protect themselves, individuals should ensure their devices have reliable antivirus software installed and

validate the legitimacy of the websites they are downloading from. In conclusion, the ability to download Pid Control Of Dynamic Systems has transformed the way we access information. With the convenience, cost-effectiveness, and accessibility it offers, free PDF downloads have become a popular choice for students, researchers, and book lovers worldwide. However, it is crucial to engage in ethical downloading practices and prioritize personal security when utilizing online platforms. By doing so, individuals can make the most of the vast array of free PDF resources available and embark on a journey of continuous learning and intellectual growth.

FAQs About Pid Control Of Dynamic Systems Books

How do I know which eBook platform is the best for me? Finding the best eBook platform depends on your reading preferences and device compatibility. Research different platforms, read user reviews, and explore their features before making a choice. Are free eBooks of good quality? Yes, many reputable platforms offer high-quality free eBooks, including classics and public domain works. However, make sure to verify the source to ensure the eBook credibility. Can I read eBooks without an eReader? Absolutely! Most eBook platforms offer webbased readers or mobile apps that allow you to read eBooks on your computer, tablet, or smartphone. How do I avoid digital eye strain while reading eBooks? To prevent digital eye strain, take regular breaks, adjust the font size and background color, and ensure proper lighting while reading eBooks. What the advantage of interactive eBooks? Interactive eBooks incorporate multimedia elements, quizzes, and activities, enhancing the reader engagement and providing a more immersive learning experience. Pid Control Of Dynamic Systems is one of the best book in our library for free trial. We provide copy of Pid Control Of Dynamic Systems in digital format, so the resources that you find are reliable. There are also many Ebooks of related with Pid Control Of Dynamic Systems. Where to download Pid Control Of Dynamic Systems online for free? Are you looking for Pid Control Of Dynamic Systems PDF? This is definitely going to save you time and cash in something you should think about. If you trying to find then search around for online. Without a doubt there are numerous these available and many of them have the freedom. However without doubt you receive whatever you purchase. An alternate way to get ideas is always to check another Pid Control Of Dynamic Systems. This method for see exactly what may be included and adopt these ideas to your book. This site will almost certainly help you save time and effort, money and stress. If you are looking for free books then you really should consider finding to assist you try this. Several of Pid Control Of Dynamic Systems are for sale to free while some are payable. If you arent sure if the books you would like to download works with for usage along with your computer, it is possible to download free trials. The free guides make it easy for someone to free access online library for download books to your device. You can get free download on free trial for lots of books categories. Our library is the biggest of these that have literally hundreds of thousands of

different products categories represented. You will also see that there are specific sites catered to different product types or categories, brands or niches related with Pid Control Of Dynamic Systems. So depending on what exactly you are searching, you will be able to choose e books to suit your own need. Need to access completely for Campbell Biology Seventh Edition book? Access Ebook without any digging. And by having access to our ebook online or by storing it on your computer, you have convenient answers with Pid Control Of Dynamic Systems To get started finding Pid Control Of Dynamic Systems, you are right to find our website which has a comprehensive collection of books online. Our library is the biggest of these that have literally hundreds of thousands of different products represented. You will also see that there are specific sites catered to different categories or niches related with Pid Control Of Dynamic Systems So depending on what exactly you are searching, you will be able to choose ebook to suit your own need. Thank you for reading Pid Control Of Dynamic Systems. Maybe you have knowledge that, people have search numerous times for their favorite readings like this Pid Control Of Dynamic Systems, but end up in harmful downloads. Rather than reading a good book with a cup of coffee in the afternoon, instead they juggled with some harmful bugs inside their laptop. Pid Control Of Dynamic Systems is available in our book collection an online access to it is set as public so you can download it instantly. Our digital library spans in multiple locations, allowing you to get the most less latency time to download any of our books like this one. Merely said, Pid Control Of Dynamic Systems is universally compatible with any devices to read.

Find Pid Control Of Dynamic Systems :

trends for small business 73-2861 healthy recipes tutorial America

strategies for startups 73-1980 SEO strategy tips America 73-2101 SEO

best practices United States 73-1185 ecommerce trends best practices

strategies America 73-1681 ecommerce trends strategies USA 73-2841

travel guide USA 73-1852 budget travel ideas America 73-495 budget

73-1413 blockchain development review for startups 73-42 blockchain

online privacy strategies America 73-843 online privacy tips USA 73-1514

America 73-39 startup funding examples United States 73-1034 startup

73-958 YouTube growth tools America 73-1748 YouTube growth tools for

for creators 73-2121 AI tools step by step for startups 73-2302 AI tools

marketplace examples for entrepreneurs 73-185 NFT marketplace examples

United States 73-649 freelancing online case study for entrepreneurs

wearable technology trends America 73-1874 wearable technology trends

[73-897 sustainable living guide for small business](#) [73-2358 sustainable tools for small business](#) [73-787 career growth trends USA](#) [73-1560 career](#)

Pid Control Of Dynamic Systems :

aqa gcse mathematics assessment resources - Feb 13 2023

web jan 15 2016 mark scheme higher paper 1 non calculator november 2021 published 29 jul 2022 pdf 510 kb

2003 mathematics higher finalised marking instructions jabchem - May 16 2023

web an additional 20 marks could have been allocated to the 2003 examination notes to the marking scheme for higher mathematics 2003 1 illustrations where additional marks could be added to bring the overall total up to 130 are shown as follows paper 1 extra marks are shown on pages 21 22 of the paper 1 m s

mark scheme higher paper 1 non calculator november 2021 aqa - Aug 07 2022

web higher tier paper 1 non calculator mark scheme june 2021 version 1 0 final 216g8300 1h ms mark schemes are prepared by the lead assessment writer and considered together with the relevant questions by a panel of subject teachers

mark scheme higher paper 1 non calculator november 2017 aqa - May 04 2022

web may 1 2018 mathematics paper 1 higher tier mark scheme 8300 november 2017 version 1 0 final mark schemes are prepared by the lead assessment writer and considered together with the relevant questions by a panel of subject teachers

maths higher paper aqa markscheme 2003 pdf - Jun 17 2023

web maths higher paper aqa markscheme 2003 key maths gcse oct 08 2022 written to support and enhance assessment alongside the pupil texts these resources offer a range of material for the aqa specification they provide test questions for each chapter together with detailed mark schemes to make assessment easy

aqa 2003 maths papers 10 pdf files past papers archive - Oct 21 2023

web 5 maths higher paper aqa markscheme 2003 pdf maths higher paper aqa markscheme 2003 bing maths higher paper aqa markscheme 2003 pdf free pdf download now source 2 maths higher paper aqa markscheme 2003 pdf free pdf download 6 intermediate2003 pdf aqa gcse mathematics 3301

[aqa find past papers and mark schemes](#) - Aug 19 2023

web find past papers and mark schemes for aqa exams and specimen papers for new courses

aqa gcse mathematics assessment resources - Dec 11 2022

web question paper higher paper 1 non calculator november 2022 new published 31 oct 2023 pdf 2 1 mb

aqa maths 2003 10 pdf files past papers archive - Sep 20 2023

web 8 maths higher paper aqa markscheme 2003 pdf maths higher paper aqa markscheme 2003 bing maths higher paper

aqa markscheme 2003 pdf free pdf download now source 2 maths higher paper aqa markscheme 2003 pdf free pdf download [maths higher paper aqa markscheme 2003 copy](#) - Jun 05 2022

web maths higher paper aqa markscheme 2003 new gcse maths edexcel practice papers higher for the grade 9 1 course jul 26 2020 aqa gcse maths foundation nov 10 2021 please note this title is suitable for any student studying exam board aqa level gcse subject mathematics first teaching september 2015 first exams june 2017

[mark scheme higher paper 3 calculator sample set aqa](#) - Jan 12 2023

web paper 3 higher mark scheme 8300 3h version 1 0 page 2 version 1 0 principal examiners have prepared these mark schemes for specimen papers these mark schemes have not therefore been through the normal process of standardising that would take place for live aqa mathematics

aqa gcse maths past papers revision maths - Mar 14 2023

web you can download the aqa maths gcse past papers and marking schemes by clicking on the links below aqa gcse mathematics 8300 june 2022 paper 1 non calculator 8300 1f foundation download paper download mark scheme paper 1 non calculator 8300 1h higher download paper download mark scheme paper 2 calculator

maths higher paper aqa markscheme 2003 download only - Apr 03 2022

web you could purchase guide maths higher paper aqa markscheme 2003 or acquire it as soon as feasible you could quickly download this maths higher paper aqa markscheme 2003 after getting deal

[aqa higher gcse maths papers mark schemes grade](#) - Apr 15 2023

web call aqa higher maths past papers and more below you will find all available past papers mark schemes and grade boundaries for the aqa higher examination also included is the course specification and other useful information including the dates of your examinations this year aqa grade boundaries 9 3 higher

aqa gcse mathematics assessment resources - Oct 09 2022

web assessment resources gcse mathematics 8300 specification planning resources teaching resources assessment resources key dates assessment resources page 1 2 3 4 mark schemes showing 65 results mark scheme higher paper 3 calculator november 2022 new published 31 oct 2023 pdf 505 kb

2003 mathematics advanced higher finalised marking instructions - Sep 08 2022

web 2003 mathematics advanced higher section b finalised marking instructions advanced higher 2003 section b solutions and marks b1 let $x^3 + 4y^2 + 1z + 12t$ then $x^3 + 4t$ advanced higher 2003 section c solutions and marks c1 p breast cancer mammogram positive 1

aqa gcse mathematics assessment resources - Jul 18 2023

web jul 14 2023 mark scheme higher paper 3 calculator november 2022 new published 31 oct 2023 pdf 505 kb mark

scheme higher paper 1 non calculator november 2022 new

[maths higher paper aqa markscheme 2003 2023 api mobomo](#) - Mar 02 2022

web maths higher paper aqa markscheme 2003 aqa gcse mathematics paper 2 june 2022 mark scheme 8300 2h higher tier calculator aqa gcse mathematics paper 3 november 2022 mark scheme 8300 3h higher tier calculator aqa gcse maths june november 2021 higher paper 1 non

[mark scheme higher paper 1 non calculator june 2017 aqa](#) - Jul 06 2022

web may 1 2018 gcse mathematics paper 1 higher tier mark scheme 8300 june 2017 version 1 0 final mark schemes are prepared by the lead assessment writer and considered together with the relevant questions by a panel of subject teachers [aqa gcse mathematics assessment resources](#) - Nov 10 2022

web question paper modified a4 18pt higher paper 1 non calculator november 2021 question paper foundation paper 2 calculator november 2021 question paper higher paper 2 calculator november 2021 question paper higher paper 3 calculator november 2021

[21 tage zum perfekten style 2023 zapmap nissan co](#) - Nov 20 2022

4 21 tage zum perfekten style 2022 05 21 founded in rome in the 1950s a product of passion and a multi millionaire s fancy over fifty years its eccentricities earned a place in readers hearts around the globe but now circulation is down the paper lacks a website and the future looks bleak still those involved in the publication seem

[tage perfekten style zvaB](#) - May 15 2022

21 tage zum perfekten style von vatasso christel loperena pascal und eine große auswahl ähnlicher bücher kunst und sammlerstücke erhältlich auf zvaB com

[future perfect tense konu anlatımı wall street english](#) - Jul 29 2023

20 11 2019 by wall street english 463 72118 future perfect tense gelecekte belli bir zamanda tamamlanması beklenen eylemler için kullanılır tüm gelecek zaman formlarda olduğu gibi zaman zarflarıyla birlikte kullanılamaz türkçe ye çevirdiğimizde fiil yapısının yapmış olacağım gitmiş olacağım gibi bir anlamı

21 tage zum perfekten style pdf 2023 - Mar 13 2022

jun 25 2023 21 tage zum perfekten style christel vatasso 2017 07 25 the pizza bible tony gemignani 2014 10 28 a comprehensive guide to making pizza covering nine different regional styles including neapolitan roman chicago and californian from 12 time world pizza champion tony gemignani everyone loves pizza from fluffy

[21 tage zum perfekten style vatasso ab 9 97](#) - Jun 27 2023

21 tage zum perfekten style 2017 isbn 9783831033263 sie möchten sich rundum schön sexy und selbstbewusst fühlen dieser ultimative style guide holt das 21 tage zum perfekten style vatasso ab 9 97

21 tage zum perfekten style 2022 tpc redmatters - Dec 10 2021

21 tage zum perfekten style froggy s best babysitter stay awake baedeker smart reiseführer florida trapped hamburg 21 doodle days whole grain mornings a little wanting song landshuter zeitung the peculiar allgemeine preußische staats zeitung style forever freehand fashion the little book of lunch the daily stoic journal picasso und das theater

9783831033263 21 tage zum perfekten style zvab - Jul 17 2022

21 tage zum perfekten style 3 15 durchschnittliche bewertung 66 bewertungen bei goodreads hardcover isbn 10 3831033269 isbn 13 9783831033263 zu dieser isbn ist aktuell kein angebot verfügbar alle exemplare der ausgabe mit

21 tage zum perfekten style by christel vatasso - Sep 18 2022

perfekten style buch versandkostenfrei bei 21 tage zum perfekten style von christel vatasso pascal 20 picknick ideen zum perfekten genuss checkliste tipps the super skinny jeans c amp a bartpflege in 5 schritten zum perfekten bart 21 tage 200

future perfect tense konu anlatımı bukytalk - Feb 21 2023

future perfect tense konusu Örnek cümleler future perfect tense yapısı örnek cümleleri aşağıdaki gibidir Örnek you will have studied for the spanish exam anlamı İspanyolca sınavına çalışmış olacaksın Örnek the storm will have raged by the time we arrive anlamı biz vardığımızda fırtına şiddetlenmiş olacak

details zu 21 tage zum perfekten style stadtbücherei oelde - Apr 13 2022

sep 4 2023 von vatasso christel verfasser mitwirkende r loperena pascal verfasser materialtyp text sprache deutsch originalsprache französisch verlag münchen dorling kindersley 2017 beschreibung 238 seiten illustration 23 cm inhaltstyp text unbewegtes bild medientyp ohne hilfsmittel zu benutzen datenträgertyp band ean 9783831033263

21 tage zum perfekten style gebundene ausgabe 25 juli 2017 amazon de - Sep 30 2023

dieser ultimative style guide holt das beste aus ihnen raus und das in nur 3 wochen von der perfekten garderobe über die effektive pflegeroutine bis zur cleveren shoppingstrategie und optimalen außenwirkung echte fashionexperten wie modelagentin christel vatasso und supermodel karolína kurkova geben inspirierende anregungen und tipps

21 tage zum perfekten style 2022 eagldemo2 eagltechnology - Oct 20 2022

vancouver die kanadischen rockies perfekte tage im westen kanadas the little book of lunch the breaks of the game a little wanting song the daily stoic journal uk edition rebalance your metabolism in 21 days the original european jeweler fränkischer kurier 21 tage zum perfekten style kanada der westen reiseführer michael müller verlag

future perfect tense örnekler limasollu naci - May 27 2023

future perfect tense İngilizce gelecek zamanda tamamlanmışlık örnek cümleler i will have gone to my home until you come sen gelene kadar ben evime gitmiş olacağım she will have joined us by the time you call her onu aradığında o aramıza katılmış olacak they will have bought the car before you arrive

21 tage zum perfekten style von christel vatasso 2017 ebay - Aug 18 2022

21 tage zum perfekten style von christel vatasso 2017 gebundene ausgabe schreiben sie die erste rezension Über dieses produkt eur 9 01

21 tage zum perfekten style 2023 admin store motogp - Nov 08 2021

dem beispiellosen aufstieg von amazon zu lernen und erfolgreich zu handeln european jeweler plassen verlag one australian summer two very different sixteen year old girls charlie a talented but shy

21 tage zum perfekten style gma digital - Dec 22 2022

sie möchten sich rundum schön sexy und selbstbewusst fühlen dieser ultimative style guide holt das beste aus ihnen raus und das in nur 3 wochen von der perfekten garderobe über die effektive pflegeroutine bis zur cleveren

21 tage zum perfekten style german amazon sg books - Feb 09 2022

hello sign in account lists returns orders cart

21 tage zum perfekten style 2022 db csda - Aug 30 2023

21 tage zum perfekten style 1 21 tage zum perfekten style las vegas perfekte tage mit sonne spiel und spass tyler johnson was here the peculiar whole grain mornings collapse a little wanting song trapped berlin perfekte tage unter den linden kanada der westen reiseführer michael müller verlag stay awake hamburg hunted past reason the

21 tage zum perfekten style ciltli kapak 25 temmuz 2017 - Mar 25 2023

21 tage zum perfekten style vatasso christel loperena pascal amazon com tr kitap

21 tage zum perfekten style hardcover 25 july 2017 amazon de - Jan 23 2023

jul 5 2017 in 21 tagen zum perfekten style das ist mal ein versprechen hat mich neugierig gemacht das buch ist anders als erwartet es gibt keine anleitung welche kleidungsstücke ich in welcher menge kaufen soll und welche kombinationen gar nicht gehen stattdessen ein tatsächliches schritt für schritt coaching wie man seinen eigenen stil findet

21 tage zum perfekten style by christel vatasso open library - Apr 25 2023

jul 25 2017 21 tage zum perfekten style by christel vatasso pascal loperena jul 25 2017 dorling kindersley verlag edition hardcover

21 tage zum perfekten style opendoors cityandguilds com - Jan 11 2022

2 21 tage zum perfekten style 2019 09 06 murray moreno the imperfectionists fourth estate the charming and enthralling story of an idiosyncratic english language newspaper in rome and the lives of its staffers as the paper fights for survival in the internet age a precise playful fiction with a deep but lightly worn intelligence times

future perfect tense konu anlatımı limasollu naci - Jun 15 2022

yapılacak olan işin ilerideki belli bir zamana kadar bitirilmiş olması önemlidir yani future perfect tense de işin ne zaman

yapılacağı belli değil ne zamana kadar bitirilmiş olacağı önemlidir future perfect tense olumlu olumsuz ve soru cümlesi
tablosu i will have come ben gelmiş olacağım i will not have come

english file 3rd intermediate revise and check in the street 1 2 - Oct 05 2022

web oct 19 2021 about press copyright contact us creators advertise developers terms privacy policy safety how youtube
works test new features nfl sunday ticket press copyright

revise and check upper intermediate 1 2 pdf shamanism - Jun 01 2022

web 1 bl verb to lose blood from a wound or injury a complete the sentences with one word 2 sw adj bigger than normal
especially because 1 what were you and sarah talking of an injury or infection 2 you didn t like her latest novel you 3

english file 4th edition revise and check 1 2 video youtube - Oct 17 2023

web nov 7 2019 about press copyright contact us creators advertise developers terms privacy policy safety how youtube
works test new features nfl sunday ticket press copyright

revise and check 1 step 1 stepik - Apr 11 2023

web revise and check 1 download any course open app or continue in a web browser

1 2 revise and check worksheet live worksheets - Jul 02 2022

web jul 27 2020 1 2 revise and check liveworksheets transforms your traditional printable worksheets into self correcting
interactive exercises that the students can do online and send to the teacher skip to main content

english file elementary revise and check 1 2 live - Dec 27 2021

web may 10 2023 english file elementary revise and check 1 2 english file elementary revise and check 1 2 chuhuong
member for 2 years 4 months age 8 14 level elementary language english en id 7219515 05 10 2023 country code vn country
vietnam school subject

revise and check unit 1 and 2 worksheet live worksheets - Feb 26 2022

web country argentina school subject english as a second language esl 1061958 main content revision to be subjects
possessive adjectives 1366445 revision to be subjects possessive adjectives other contents revision to be subjects possessive
adjectives share print worksheet

revise and check 1 2 english file elementary student s - Jul 14 2023

web exercise answers of chapter revise and check 1 2 of english file elementary student s book the key to exercise solutions
for the textbook english file elementary student s book with authors christina latham koenig clive oxenden and jerry lambert
from oxford university press

b2 1 revise and check 1 2 blogger - Nov 06 2022

web dec 14 2015 revise and check 1 2 here are the answers to the revise check exercises on pages 22 and 23 in your books

grammar exercise a 1 about 2 did 3 does 4 have 5 been exercise b 1 a 2 b 3 b 4 c 4 b 6 b 7 a 8 c 9 a 10 c vocabulary exercise a 1 tempered 2 absent 3 fisted 4 confident 5 fashioned

1 2 revise and check intermediate b1 blogger - Aug 03 2022

web nov 8 2018 vocabulary a 1 duck 2 crab 3 beetroot 4 raspberry 5 chicken b 1 dishonest 2 generous 3 unselfish 4 lazy 5 talkative c 1 waste 2 inherit

revise and check 1 free download borrow and streaming - Jun 13 2023

web nov 26 2012 revise and check 1 topics revise check exercises on p 19 addeddate 2012 11 26 22 23 18 identifier reviseandcheck1 plus circle add review comment reviews there are no reviews yet be the first one to write a review 42 views 1 favorite download options

english file elementary 1 2 revise and check quizizz - Sep 04 2022

web english file elementary 1 2 revise and check quiz for 4th grade students find other quizzes for english and more on quizizz for free

english file 3rd edition elementary revision 1 2 in the street - May 12 2023

web feb 11 2019 video for revise and check lesson of units 1 2 english file 3rd edition elementary students book page 19 can you understand these people follow along using the transcript video for revise and

1 2 revise and check escuela oficial de idiomas de gijón - Apr 30 2022

web 1 2 revise and check grammar 1 a 5 c 9 a 13 a 2 c 6 c 10 b 14 c 3 a 7 a 11 a 15 b 4 b 8 c 12 b vocabulary a 1 duck the others are seafood 2 crab the others are meat 3 beetroot the others are fruits 4 raspberry the others are

1 2 revise and check worksheet liveworksheets com - Mar 10 2023

web 1 2 revise and check 1 2 revise and check id 983597 language english school subject english as a second language esl grade level elemental age 15 main content revision other contents add to my workbooks

revise and check 1 2 worksheet live worksheets - Sep 16 2023

web apr 17 2021 revise and check 1 2 m4yaag member for 3 years 1 month age 14 level i501 language english en id 917908 17 04 2021 country code mx country mexico school subject english language 1061957 main content review 2012721 from new english file 3rd edition intermediate student s book other contents tenses share

exercise vocabulary revise and check 1 2 english file - Nov 25 2021

web the solution for exercise vocabulary of chapter revise and check 1 2 in the textbook english file elementary student s book

revise and check live worksheets - Feb 09 2023

web oct 2 2023 revise and check unit 1 and 2 english file elementary 4th edition liveworksheets transforms your traditional

printable worksheets into self correcting interactive exercises that the students can do online and send to the teacher

fourth edition english file language advisor - Aug 15 2023

web p 12 file 1 a b p ractical english e pisode 1 p 28 file 2 a b 1 2 revise and check p 41 file 3 a b p ractical english e pisode 2 p 54 file 4 a b 3 4 revise and check p 66 file 5 a b p ractical english e pisode 3 p 79 file 6 a b 5 6 revise and check p 92 file 7 a b p ractical english e pisode 4

revise and check 1 worksheet live worksheets - Mar 30 2022

web dec 3 2019 revise and check 1 10 sec boudica one minute history le nu thu hang member for 4 years 7 months age 6 18 level beginner language english en id 49549 12 03 2019 country code vn country vietnam school subject english as a second language esl 1061958 main content verb to be 2013208

1 2 revise and check pdf free download docplayer - Dec 07 2022

web 1 1 revise and check there are two pages of revision and consolidation after every two files the first page revises the grammar vocabulary and pronunciation of the two files these exercises can be done individually or in pairs in class or at home depending on the needs of your sts and the class time available

english file 4the upper intermediate revise and check 1 2 - Jan 08 2023

web sep 6 2021 about press copyright contact us creators advertise developers terms privacy policy safety how youtube works test new features nfl sunday ticket press copyright

revise and check 1 2023 cyberlab sutd edu sg - Jan 28 2022

web 1 revise and check 1 house documents sep 07 2023 statistical and adaptive signal processing jun 11 2021 this authoritative volume on statistical and adaptive signal processing offers you a unified comprehensive and practical treatment of spectral estimation signal modeling adaptive filtering and array processing packed