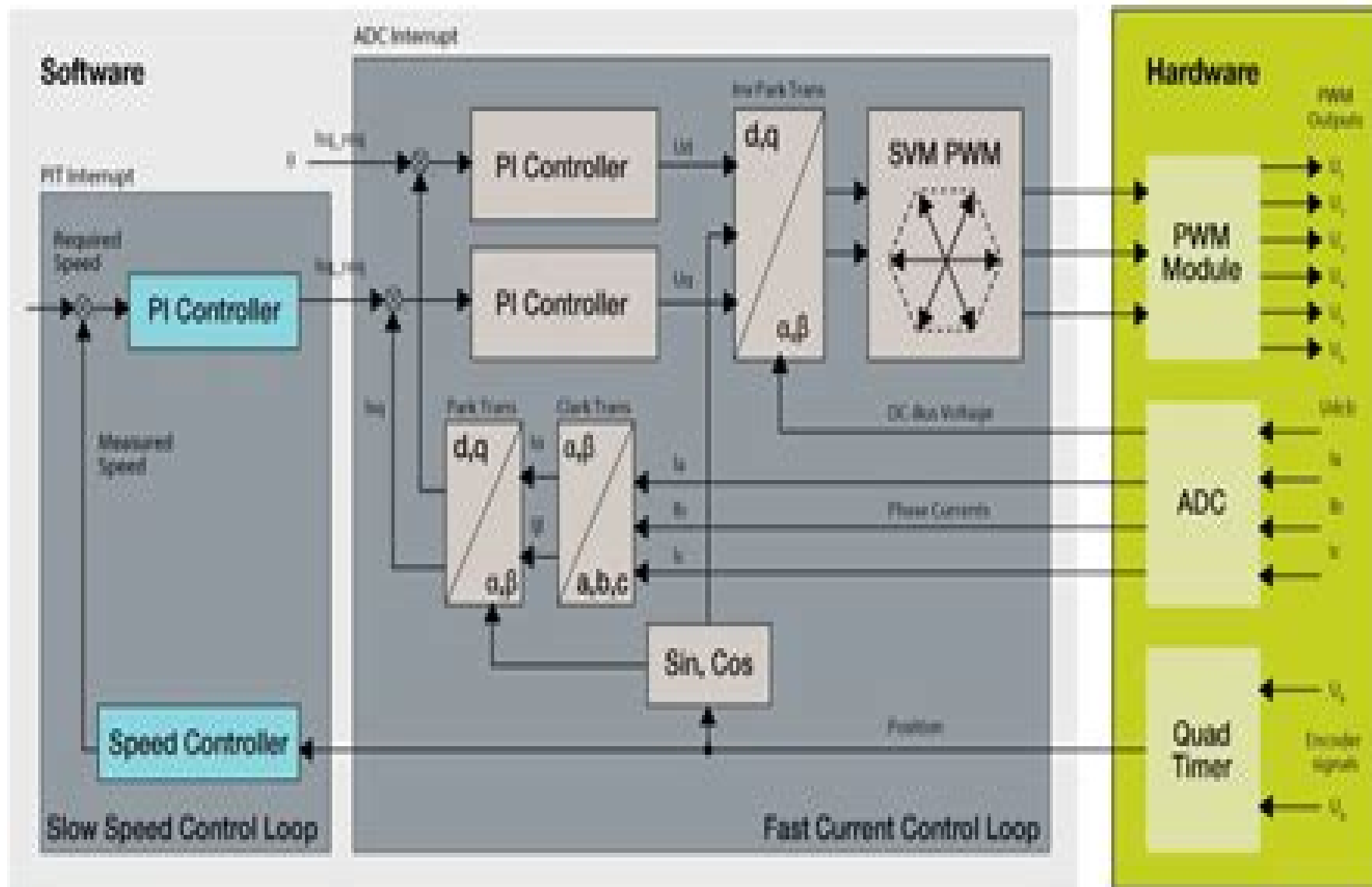


# PMSM FOC of Industrial Drives Using the 56F84789 Reference Design



# Pmsm Foc Of Industrial Drives Reference Design Fact Sheet

**David Baud**



**Pmsm Foc Of Industrial Drives Reference Design Fact Sheet:**

Thank you very much for reading **Pmsm Foc Of Industrial Drives Reference Design Fact Sheet**. Maybe you have knowledge that, people have look hundreds times for their favorite novels like this Pmsm Foc Of Industrial Drives Reference Design Fact Sheet, but end up in infectious downloads.

Rather than enjoying a good book with a cup of coffee in the afternoon, instead they cope with some infectious virus inside their computer.

Pmsm Foc Of Industrial Drives Reference Design Fact Sheet is available in our book collection an online access to it is set as public so you can download it instantly.

Our digital library hosts in multiple locations, allowing you to get the most less latency time to download any of our books like this one.

Merely said, the Pmsm Foc Of Industrial Drives Reference Design Fact Sheet is universally compatible with any devices to read

<https://py.bijouxmedusa.com/results/Resources/index.jsp/budget%20travel%20roadmap%20for%20creators%2060%202340%20budget%20travel%20roadmap%20for.pdf>

## **Table of Contents Pmsm Foc Of Industrial Drives Reference Design Fact Sheet**

1. Understanding the eBook Pmsm Foc Of Industrial Drives Reference Design Fact Sheet
  - The Rise of Digital Reading Pmsm Foc Of Industrial Drives Reference Design Fact Sheet
  - Advantages of eBooks Over Traditional Books
2. Identifying Pmsm Foc Of Industrial Drives Reference Design Fact Sheet
  - Exploring Different Genres
  - Considering Fiction vs. Non-Fiction
  - Determining Your Reading Goals
3. Choosing the Right eBook Platform
  - Popular eBook Platforms
  - Features to Look for in an Pmsm Foc Of Industrial Drives Reference Design Fact Sheet

- User-Friendly Interface
- 4. Exploring eBook Recommendations from Pmsm Foc Of Industrial Drives Reference Design Fact Sheet
  - Personalized Recommendations
  - Pmsm Foc Of Industrial Drives Reference Design Fact Sheet User Reviews and Ratings
  - Pmsm Foc Of Industrial Drives Reference Design Fact Sheet and Bestseller Lists
- 5. Accessing Pmsm Foc Of Industrial Drives Reference Design Fact Sheet Free and Paid eBooks
  - Pmsm Foc Of Industrial Drives Reference Design Fact Sheet Public Domain eBooks
  - Pmsm Foc Of Industrial Drives Reference Design Fact Sheet eBook Subscription Services
  - Pmsm Foc Of Industrial Drives Reference Design Fact Sheet Budget-Friendly Options
- 6. Navigating Pmsm Foc Of Industrial Drives Reference Design Fact Sheet eBook Formats
  - ePub, PDF, MOBI, and More
  - Pmsm Foc Of Industrial Drives Reference Design Fact Sheet Compatibility with Devices
  - Pmsm Foc Of Industrial Drives Reference Design Fact Sheet Enhanced eBook Features
- 7. Enhancing Your Reading Experience
  - Adjustable Fonts and Text Sizes of Pmsm Foc Of Industrial Drives Reference Design Fact Sheet
  - Highlighting and Note-Taking Pmsm Foc Of Industrial Drives Reference Design Fact Sheet
  - Interactive Elements Pmsm Foc Of Industrial Drives Reference Design Fact Sheet
- 8. Staying Engaged with Pmsm Foc Of Industrial Drives Reference Design Fact Sheet
  - Joining Online Reading Communities
  - Participating in Virtual Book Clubs
  - Following Authors and Publishers Pmsm Foc Of Industrial Drives Reference Design Fact Sheet
- 9. Balancing eBooks and Physical Books Pmsm Foc Of Industrial Drives Reference Design Fact Sheet
  - Benefits of a Digital Library
  - Creating a Diverse Reading Collection Pmsm Foc Of Industrial Drives Reference Design Fact Sheet
- 10. Overcoming Reading Challenges
  - Dealing with Digital Eye Strain
  - Minimizing Distractions
  - Managing Screen Time
- 11. Cultivating a Reading Routine Pmsm Foc Of Industrial Drives Reference Design Fact Sheet
  - Setting Reading Goals Pmsm Foc Of Industrial Drives Reference Design Fact Sheet

- Carving Out Dedicated Reading Time
- 12. Sourcing Reliable Information of Pmsm Foc Of Industrial Drives Reference Design Fact Sheet
  - Fact-Checking eBook Content of Pmsm Foc Of Industrial Drives Reference Design Fact Sheet
  - Distinguishing Credible Sources
- 13. Promoting Lifelong Learning
  - Utilizing eBooks for Skill Development
  - Exploring Educational eBooks
- 14. Embracing eBook Trends
  - Integration of Multimedia Elements
  - Interactive and Gamified eBooks

### **Pmsm Foc Of Industrial Drives Reference Design Fact Sheet Introduction**

In the digital age, access to information has become easier than ever before. The ability to download Pmsm Foc Of Industrial Drives Reference Design Fact Sheet has revolutionized the way we consume written content. Whether you are a student looking for course material, an avid reader searching for your next favorite book, or a professional seeking research papers, the option to download Pmsm Foc Of Industrial Drives Reference Design Fact Sheet has opened up a world of possibilities. Downloading Pmsm Foc Of Industrial Drives Reference Design Fact Sheet provides numerous advantages over physical copies of books and documents. Firstly, it is incredibly convenient. Gone are the days of carrying around heavy textbooks or bulky folders filled with papers. With the click of a button, you can gain immediate access to valuable resources on any device. This convenience allows for efficient studying, researching, and reading on the go. Moreover, the cost-effective nature of downloading Pmsm Foc Of Industrial Drives Reference Design Fact Sheet has democratized knowledge. Traditional books and academic journals can be expensive, making it difficult for individuals with limited financial resources to access information. By offering free PDF downloads, publishers and authors are enabling a wider audience to benefit from their work. This inclusivity promotes equal opportunities for learning and personal growth. There are numerous websites and platforms where individuals can download Pmsm Foc Of Industrial Drives Reference Design Fact Sheet. These websites range from academic databases offering research papers and journals to online libraries with an expansive collection of books from various genres. Many authors and publishers also upload their work to specific websites, granting readers access to their content without any charge. These platforms not only provide access to existing literature but also serve as an excellent platform for undiscovered authors to share their work with the world. However, it is essential to be cautious while downloading Pmsm Foc Of Industrial Drives Reference Design Fact Sheet. Some websites may offer pirated or illegally

obtained copies of copyrighted material. Engaging in such activities not only violates copyright laws but also undermines the efforts of authors, publishers, and researchers. To ensure ethical downloading, it is advisable to utilize reputable websites that prioritize the legal distribution of content. When downloading Pmsm Foc Of Industrial Drives Reference Design Fact Sheet, users should also consider the potential security risks associated with online platforms. Malicious actors may exploit vulnerabilities in unprotected websites to distribute malware or steal personal information. To protect themselves, individuals should ensure their devices have reliable antivirus software installed and validate the legitimacy of the websites they are downloading from. In conclusion, the ability to download Pmsm Foc Of Industrial Drives Reference Design Fact Sheet has transformed the way we access information. With the convenience, cost-effectiveness, and accessibility it offers, free PDF downloads have become a popular choice for students, researchers, and book lovers worldwide. However, it is crucial to engage in ethical downloading practices and prioritize personal security when utilizing online platforms. By doing so, individuals can make the most of the vast array of free PDF resources available and embark on a journey of continuous learning and intellectual growth.

### **FAQs About Pmsm Foc Of Industrial Drives Reference Design Fact Sheet Books**

**What is a Pmsm Foc Of Industrial Drives Reference Design Fact Sheet PDF?** A PDF (Portable Document Format) is a file format developed by Adobe that preserves the layout and formatting of a document, regardless of the software, hardware, or operating system used to view or print it. **How do I create a Pmsm Foc Of Industrial Drives Reference Design Fact Sheet PDF?** There are several ways to create a PDF: Use software like Adobe Acrobat, Microsoft Word, or Google Docs, which often have built-in PDF creation tools. Print to PDF: Many applications and operating systems have a "Print to PDF" option that allows you to save a document as a PDF file instead of printing it on paper. Online converters: There are various online tools that can convert different file types to PDF. **How do I edit a Pmsm Foc Of Industrial Drives Reference Design Fact Sheet PDF?** Editing a PDF can be done with software like Adobe Acrobat, which allows direct editing of text, images, and other elements within the PDF. Some free tools, like PDFescape or Smallpdf, also offer basic editing capabilities. **How do I convert a Pmsm Foc Of Industrial Drives Reference Design Fact Sheet PDF to another file format?** There are multiple ways to convert a PDF to another format: Use online converters like Smallpdf, Zamzar, or Adobe Acrobats export feature to convert PDFs to formats like Word, Excel, JPEG, etc. Software like Adobe Acrobat, Microsoft Word, or other PDF editors may have options to export or save PDFs in different formats. **How do I password-protect a Pmsm Foc Of Industrial Drives Reference Design Fact Sheet PDF?** Most PDF editing software allows you to add password protection. In Adobe Acrobat, for instance, you can go to "File" -> "Properties" -> "Security" to set a password

to restrict access or editing capabilities. Are there any free alternatives to Adobe Acrobat for working with PDFs? Yes, there are many free alternatives for working with PDFs, such as: LibreOffice: Offers PDF editing features. PDFsam: Allows splitting, merging, and editing PDFs. Foxit Reader: Provides basic PDF viewing and editing capabilities. How do I compress a PDF file? You can use online tools like Smallpdf, ILovePDF, or desktop software like Adobe Acrobat to compress PDF files without significant quality loss. Compression reduces the file size, making it easier to share and download. Can I fill out forms in a PDF file? Yes, most PDF viewers/editors like Adobe Acrobat, Preview (on Mac), or various online tools allow you to fill out forms in PDF files by selecting text fields and entering information. Are there any restrictions when working with PDFs? Some PDFs might have restrictions set by their creator, such as password protection, editing restrictions, or print restrictions. Breaking these restrictions might require specific software or tools, which may or may not be legal depending on the circumstances and local laws.

### **Find Pmsm Foc Of Industrial Drives Reference Design Fact Sheet :**

budget travel roadmap for creators 60-2340 budget travel roadmap for  
**60-2325 chatbot development checklist for small business 60-1224 chatbot**  
60-1441 remote work review for small business 60-2127 remote work  
**self improvement tutorial United States 60-1344 self improvement**  
States 60-1974 career growth examples United States 60-2247 career  
60-751 crypto investing checklist America 60-1465 crypto investing  
**business 60-2196 smart home tech comparison America 60-1065 smart home**  
business for beginners for entrepreneurs 60-2873 dropshipping business  
entrepreneurs 60-1502 travel tips review USA 60-2136 travel tips review  
electric vehicles strategies for small business 60-1483 electric  
60-2226 small business ideas guide America 60-673 small business ideas  
**examples for entrepreneurs 60-473 crypto investing explained America**  
**remote jobs tutorial United States 60-2458 remote jobs tutorial for**  
**entrepreneurs 60-321 blockchain development checklist for small business**  
creators 60-329 fitness routines trends for startups 60-2559 fitness

**Pmsm Foc Of Industrial Drives Reference Design Fact Sheet :**

*ch 4 intermediate accounting test bank pdf scribd* - Oct 20 2022

web all rights reserved flag for inappropriate content of 51 chapter 4 income statement and related information chapter learning objectives 1 identify the uses and limitations of an income statement 2 describe the content and format of the income statement 3 discuss how to report various income items 4

**302 ch 13 test bank test bank chapter 13 current studocu** - Nov 20 2022

web sign in guest useradd your university or school 0impact 0uploads 0upvotes homeask aimy library courses you don t have any courses yet books you don t have any books yet studylists you don t have any studylists yet recent documents you haven t viewed any documents yet 302 ch 13 test bank test bank test bank university queens college

**intermediate accounting ifrs 3rd edition kieso test bank** - Jul 29 2023

web visit to download in full testbankdeal com download intermediate accounting ifrs 3rd edition kieso test bank fintermediate accounting ifrs 3rd edition kieso test bank chapter 1

test bank for financial accounting ifrs 3rd edition weygandt studocu - Dec 22 2022

web testbankarea download financial accounting ifrs 3rd edition test bank weygandt kimmel kieso instructor manual solutions manual answer all chapters matcha creations problem solutions for appendix chapters for financial accounting ifrs 3rd edition by jerry j weygandt paul d kimmel donald e kieso download

**kieso weygandt warfield intermediate accounting 3rd edition ifrs** - Apr 25 2023

web intermediate accounting ifrs edition 3rd edition by kieso weygandt and warfield is a comprehensive and updated textbook that covers the latest international accounting standards and practices it helps students develop the skills and knowledge to apply ifrs in real world scenarios and prepares them for a global accounting career

intermediate accounting ifrs 3rd edition kieso test bank - Dec 10 2021

web the information provided by financial reporting pertains to individual business enterprises rather than to industries or an economy as a whole or to members of society as consumers business industries rather than to individual enterprises or an economy as a whole or to members of society as consumers

**kieso weygandt warfield intermediate accounting 3rd edition ifrs** - Mar 25 2023

web intermediate accounting 3rd edition ifrs edition home browse by chapter browse by chapter browse by resource browse by resource more information more information title home on wiley com how to use this site table of contents powerpoint chapter 1 chapter 2 chapter 3 chapter 4 chapter 5 chapter 6 chapter 7

**solution manual test bank for intermediate accounting ifrs** - Apr 13 2022

web mar 22 2021 solution manual test bank for intermediate accounting ifrs edition 3rd edition product details by donald e

kieso author publisher wiley 3 edition august 7 2017

**intermediate accounting ifrs 3rd edition kieso test bank** - Nov 08 2021

web test bank for intermediate accounting ifrs edition 3e 1 6 47 the information provided by financial reporting pertains to a individual business enterprises rather than to industries or an economy as a whole or to members of society as consumers b business industries rather than to individual enterprises or an economy as a whole or

**test bank for intermediate accounting ifrs edition volume 2** - Jul 17 2022

web apr 15 2022 the bonds are convertible into 12 000 ordinary shares of 1 per share par value the bond has a5 year life and has a stated interest rate of 10 payable annually the market interest rate for

**intermediate accounting ifrs 3rd edition kieso test bank** - Sep 30 2023

web test bank for intermediate accounting ifrs edition 3e 1 4 ifrs tends to be simpler and more flexible in the accounting and disclosure requirements than u gaap true false answers conceptual

intermediate accounting ifrs 3rd edition kieso test bank - May 15 2022

web apr 23 2019 features flipbooks transform any piece of content into a page turning experience fullscreen sharing deliver a distraction free reading experience with a simple link embed host your publication on

**intermediate accounting ifrs edition 3rd edition solution manual** - Feb 09 2022

web this is a intermediate accounting ifrs edition 3rd edition solution manual this is not the textbook this is not the textbook a test bank is a collection of exam questions with solutions based on the textbook

**intermediate accounting 3rd edition test bank by kieso** - May 27 2023

web test banks intermediate accounting 3rd edition test bank by kieso intermediate accounting 3rd edition test bank by kieso 000 20 □ □ intermediate accounting ifrs edition 3rd edition test bank by donald e kieso this is the test bank for intermediate accounting ifrs edition 3rd edition by donald e kieso

**intermediate accounting test banks chapter 17 investments ifrs** - Jun 15 2022

web intermediate accounting for students test banks university university of iloilo phinma course advanced financial accounting acc 102 454 documents students shared 454 documents in this course academic year 2019 2020 comments please sign in or register to post comments recommended for you 4 assign 1 lozano about bank reconciliation

**intermediate accounting 17th edition solutions and answers quizlet** - Aug 18 2022

web exercise 11 at quizlet we re giving you the tools you need to take on any subject without having to carry around solutions manuals or printing out pdfs now with expert verified solutions from intermediate accounting 17th edition you ll learn how to solve your toughest homework problems

**solution manual for intermediate accounting ifrs 3rd edition** - Mar 13 2022

web test bank for intermediate accounting 4th ifrs edition by donald e kieso solution manual for intermediate accounting 2nd edition by elizabeth gordon test bank for intermediate accounting 2nd edition by elizabeth gordon

**test bank intermediate accounting ifrs edition volume 2 1st** - Sep 18 2022

web test bank for intermediate accounting ifrs edition 15 20 gannon company acquired 6 000 shares of its own ordinary shares at 20 per share on february 5 2010 and sold 3 000 of these shares at 27 per share on august 9 2011 the fair value of gannon s ordinary shares was 24 per share at december 31 2010 and 25 per share at

**intermediate accounting test bank google books** - Feb 21 2023

web intermediate accounting 14th edition is the market leader in providing the tools needed to understand what gaap is and how it is applied in practice through many editions this textbook has

**intermediate accounting chapter 3 test chapter 3 the** - Aug 30 2023

web 6 documents students shared 6 documents in this course academic year 2013 2014 uploaded bypeppermint mocha comments please sign in or register to post comments students also viewed faith integration case study 1 agency lecture notes additional rule statements 2020 feb agency basics 2019 july chapter 39 rehabilitation nursing

**ch11 test bank for intermediate accounting ifrs edition 3e** - Jun 27 2023

web method at twice the straight line rate is 2 a plant asset purchased for 200 000 at the beginning of the year has an estimated life of 5 years and a residual value of 20 000 depreciation for the second year determined by the sum of the years digits method is 3

test bank for intermediate accounting ifrs 4th edition donald - Jan 23 2023

web jun 7 2020 description table of contents 1 financial reporting and accounting standards 1 1 continuing evolution of international financial reporting 1 1 global markets 1 3 financial statements and financial reporting 1 4 accounting and capital allocation 1 4 high quality standards 1 5 objective of financial reporting 1 6

test bank for intermediate accounting ifrs 3rd edition by - Jan 11 2022

web jun 12 2021 test bank for intermediate accounting ifrs 3rd edition by donald e kieso test bank for intermediate accounting ifrs 3rd edition by donald e kieso isbn 9781119372936 author donald e kieso jerry j weygandt terry d warfield edition type ifrs 3rd edition test bank format word zip all chapter include size 1 6mb

mental math test arithmetic speed test train mental math - Jun 22 2022

web arithmetic calculations can be trained and rankyourbrain provides a great way to maximize your results and speed for any mental math test apply your mental math tricks and post

**schonell spelling tests smart achievers** - Nov 27 2022

web anyway the schonell test although old is generally considered to be a very useful reliable test of spelling ability and it

has the advantage of not being used in the  
*stellenbosch psychometric services* - Oct 27 2022

web schonell maths test one minute maths test one minute spelling test informal handwriting evaluation additional services  
concession applications in coordination

**schonell spelling test with instructions pdf scribd** - May 22 2022

web 10 spelling test procedure schonell 1 test entire group at one time 2 use foolscap paper on the top of paper should be  
written a child s name b the date c a or b test d

schonell spelling test - Jun 03 2023

web spelling test procedure schonell 1 test the entire group at one time the children should be seated sufficiently far apart in  
order to prevent them from being able to copy

schonell testing smart achievers - Oct 07 2023

web schonell testing the schonells worked closely with orton and gillingham when they organised phonograms into a

**schonell reading decoding level test steps resources** - Aug 05 2023

web schonell reading decoding level test scoring put a line under incorrect words note difficulties as they occur for program  
planning stop after 5 consecutive errors add the

*how to pronounce schonell howtopronounce com* - Dec 17 2021

web trending news on schonell 202 147 sir fred schonell drive st lucia qld 4067 was last sold in 2016 and 78 other 2 bedroom  
unit in st lucia have recently been sold there are

**how to pronounce schonell pronouncehippo com** - Nov 15 2021

web spell and check your pronunciation of schonell press and start speaking click on the microphone icon and begin speaking  
schonell

*90 top blank sheet for schonell spelling test teaching* - Apr 01 2023

web explore more than 90 blank sheet for schonell spelling test resources for teachers parents and pupils instant access to  
inspirational lesson plans schemes of work

**schonell reading reading english browse assessment tools** - Mar 20 2022

web five of the tests are administered individually tests r3 and r4 are group tests test r5 r6 and r7 constitute the main  
diagnostic components the tests are as follows test

**how maths can help you win at everything the guardian** - Sep 13 2021

web nov 5 2023 it s 7 because there are six ways to make 7 6 1 5 2 4 3 3 4 2 5 and 1 6 a throw of 6 or 8 is also very likely  
but there is only one way to throw a 2 or a 12 this

**useful assessments rrf org uk** - Feb 28 2023

web useful assessments for non commercial use only by permission of the copyright holders simple code phonics assessment this simple code assessment covers one way of

**diagnostic testing in mathematics a literature** - Sep 06 2023

web many researchers assert that use of diagnostic testing in mathematics followed by appropriate adopted f j schonell s diagnostic arithmetic tests followed by remedial

**range of applicability seating smart achievers** - Dec 29 2022

web the schonell spelling age test provides an accurate measure of a child s spelling ability according to the sequence most spelling programs would follow range of

the amc 12a 2023 leak shocks math circles dataconomy - Oct 15 2021

web november 6 2023 in cybersecurity home cybersecurity the academic community has been shaken by the news of the amc 12a 2023 leak casting a shadow over one of the

*assessment book updated june 2011 contents snip* - Jul 24 2022

web an overview of issues associated with testing reading tests spelling tests maths tests social emotional and behavioural tests and checklists cognitive ability tests no cost

*schonell spelling tests pdf scribd* - Jul 04 2023

web easier way to think of it add 5 to the first digit i e the 2 of 25 see example learner scored 25 add 5 to the first digit 75 7 5 conversion table to convert tenths of a year

10 top schonell reading age test teaching resources - Aug 25 2022

web explore more than 10 schonell reading age test resources for teachers parents and pupils help instant access to inspirational lesson plans schemes of work assessment

*schonell arithmetic test uniport edu ng* - Jan 18 2022

web may 16 2023 schonell arithmetic test 1 5 downloaded from uniport edu ng on may 16 2023 by guest schonell arithmetic test teaching maths d m neal 2013 10 23

*schonell arithmetic test* - Sep 25 2022

web non mathematical and its emphasis on the practical application of psychometric theory in psychology and schonell arithmetic test 3 3 education as well as in 4 schonell

the essential schonell the slow learning child vol 9 - Jan 30 2023

web jul 7 2006 people also read lists articles that other readers of this article have read recommended articles lists articles that we recommend and is powered by our ai driven

**schonell spelling test sentences pdf scribd** - Apr 20 2022

web schonell graded spelling test on the audio cd format questions 99 and 100 are the same track with a pause of eight seconds 90 fraternally 91 subterranean 92 apparatus

**sen stpats** - May 02 2023

web schonell reading test simple but effective standardised reading test that can be administered and scored in 15 minutes wordlist available for free download word

**schonell reading test studylib net** - Feb 16 2022

web advertisement schonell reading test the child should read the words left to right when a word that gets a little difficult ask the child to sound it out if the child can't say what the

*l anatomie en orthophonie parole da c glutition e pdf* - Feb 26 2022

web jul 23 2023 l anatomie et à la physiologie de la voix et de la parole il comporte des descriptions anatomiques précises illustrées de nombreux schémas permettant de se faire une image

*l anatomie en orthophonie parole da c glutition e pdf pdf* - Sep 04 2022

web cet ouvrage s adresse aux orthophonistes en formation et en exercice aux professionnels impliqués dans la prise en charge des troubles de l oralité alimentaire et verbale et aux parents désireux de mieux appréhender les difficultés d alimentation et de parole de leur enfant

**l anatomie en orthophonie parole da c glutition e pdf** - Jan 08 2023

web l essentiel des bases anatomiques de la production de la parole de la déglutition et de l audition dans leur fonctionnement normal et de donner ainsi une assise pour le diagnostic et le traitement de l expression pathologique de ces fonctions pour cette 4e édition de l anatomie en orthophonie en plus

*l anatomie en orthophonie parole da c glutition e download* - Jul 02 2022

web 4 l anatomie en orthophonie parole da c glutition e 2022 06 15 d importance aux notions susceptibles d apporter une aide a la reeducation ou a l entrainement le dernier chapitre consacre a la dynamique de voix implicatrice dite de projection vocale interressera tout particulierement les professionnels de la parole destine aux orthophonistes

*l anatomie en orthophonie parole da c glutition e 2022* - Jan 28 2022

web rather than enjoying a fine pdf later than a mug of coffee in the afternoon on the other hand they juggled following some harmful virus inside their computer l anatomie en orthophonie parole da c glutition e is manageable in our digital library an online admission to it is set as public hence you can download it instantly

**l anatomie en orthophonie parole da c glutition e pdf** - Mar 30 2022

web jun 23 2023 l anatomie en orthophonie parole da c glutition e 2 7 downloaded from uniport edu ng on june 23 2023 by

quest épanouissement de sa réussite scolaire que de son insertion professionnelle future cet ouvrage permettra au lecteur d appréhender les troubles spécifiques du langage écrit et les différentes prises en charge possibles de

**l anatomie en orthophonie parole da c glutition e uniport edu** - Oct 05 2022

web jul 27 2023 l anatomie en orthophonie parole da c glutition e 2 8 downloaded from uniport edu ng on july 27 2023 by guest éthique en orthophonie mireille kerlan 2016 06 10 l orthophoniste côtoie de nombreux patients qui ont leur propre histoire et leurs propres représentations sociales et culturelles la

**l anatomie en orthophonie parole da c glutition e download** - Jun 13 2023

web l anatomie en orthophonie de boeck supérieur cet ouvrage volume 1 concerne l anatomie et la physiologie des organes de la voix et de la parole il comporte des descriptions anatomiques précises illustrées de nombreux schémas permettant de se faire une image correcte et durable de l instrument vocal la physiologie est envisagée avec une

**l anatomie en orthophonie parole déglutition et audition 3ème** - Jul 14 2023

web cet ouvrage de référence est à la fois un atlas agréable à consulter et une somme des connaissances de base indispensables aux étudiants ainsi qu aux cliniciens et chercheurs soucieux de comprendre l anatomie et la physiologie de la parole de la voix de la déglutition et de l audition i le système respiratoire

**l anatomie en orthophonie parole déglutition et audition** - Apr 11 2023

web jul 6 2016 l anatomie en orthophonie parole déglutition et audition french edition 9782294747540 pour cette 3e édition de l anatomie en orthophonie l auteur a effectué une revue minutieuse de son texte et a souhaité mettre l accent sur les processus physiologiques clés

l anatomie en orthophonie parole da c glutition e full pdf - Dec 07 2022

web l anatomie en orthophonie parole da c glutition e 1 l anatomie en orthophonie parole da c glutition e this is likewise one of the factors by obtaining the soft documents of this l anatomie en orthophonie parole da c glutition e by online you might not require more mature to spend to go to the book foundation as well as search for them

**orthophonie wikipédia** - Feb 09 2023

web l orthophonie ortho droit phonè son ou logopédie logos parole paideia éducation en belgique et en suisse est une profession paramédicale pratiquée par des orthophonistes uniquement avec prescription médicale en france et au canada des logopèdes en belgique et des logopédistes en suisse et liée à un champ d expertises et

l anatomie en orthophonie parole da c glutition e old vulkk - Aug 03 2022

web donavan amir la lecture labiale en groupe de boeck supérieur ce livre à la fois fonctionnel et pratique synthèse de pratiques professionnelles de terrain aborde l ensemble des pathologies liées aux troubles oro myofonctionnels chez l enfant et chez l adulte il suit rigoureusement le référentiel français de

**I anatomie en orthophonie parole da c glutition e pdf pdf** - Aug 15 2023

web l objectif de cet ouvrage est d offrir l essentiel des bases anatomiques de la production de la parole de la déglutition et de l audition dans leur fonctionnement normal et de donner ainsi une assise pour le diagnostic et le traitement de l expression pathologique de

**I anatomie en orthophonie parole da c glutition e pdf** - Apr 30 2022

web jul 24 2023 anatomie en orthophonie parole da c glutition e appropriately simple orthophonie et oralité catherine thibault 2017 11 21 cet ouvrage pédagogique présente une approche originale et pionnière de la sphère oro faciale autour de l organe lingual À partir des connaissances du

**I anatomie en orthophonie parole da c glutition e various copy** - Mar 10 2023

web sharpness of this l anatomie en orthophonie parole da c glutition e can be taken as competently as picked to act adolescent and adult psychoeducational profile aapep 1988 the frequency following response nina kraus 2017 01 09 this volume will cover a variety of topics including child language

**I anatomie en orthophonie parole da c glutition e alex f** - Dec 27 2021

web books in the manner of this one merely said the l anatomie en orthophonie parole da c glutition e is universally compatible behind any devices to read the oxford handbook of assertion sanford c goldberg 2020 03 17 assertions belong to the family of speech acts that make claims regarding how things are they include

**I anatomie en orthophonie parole da c glutition e** - Nov 06 2022

web l anatomie en orthophonie parole da c glutition e english visible speech jun 16 2020 one of the original claims of visible speech was to teach reading in a fraction of the time required with common letters by means of this little book the claim may now be put to the test of experiment children and others who master

**I anatomie en orthophonie parole da c glutition e old vulkk** - Jun 01 2022

web 2 l anatomie en orthophonie parole da c glutition e 2023 06 15 l élaboration d un protocole thérapeutique informatisé basé sur le feedback visuel appuyé sur des données théoriques permet la prise en charge de différentes perturbations acoustiques de la voix pathologique paralysies récurrentielle unilatérale

**I anatomie en orthophonie livre 9782294768187 elsevier** - May 12 2023

web cet ouvrage de référence est à la fois un atlas agréable à consulter et une somme des connaissances de base indispensables aux étudiants ainsi qu aux cliniciens et chercheurs soucieux de comprendre l anatomie et la physiologie de la parole de la voix de la déglutition et de l audition