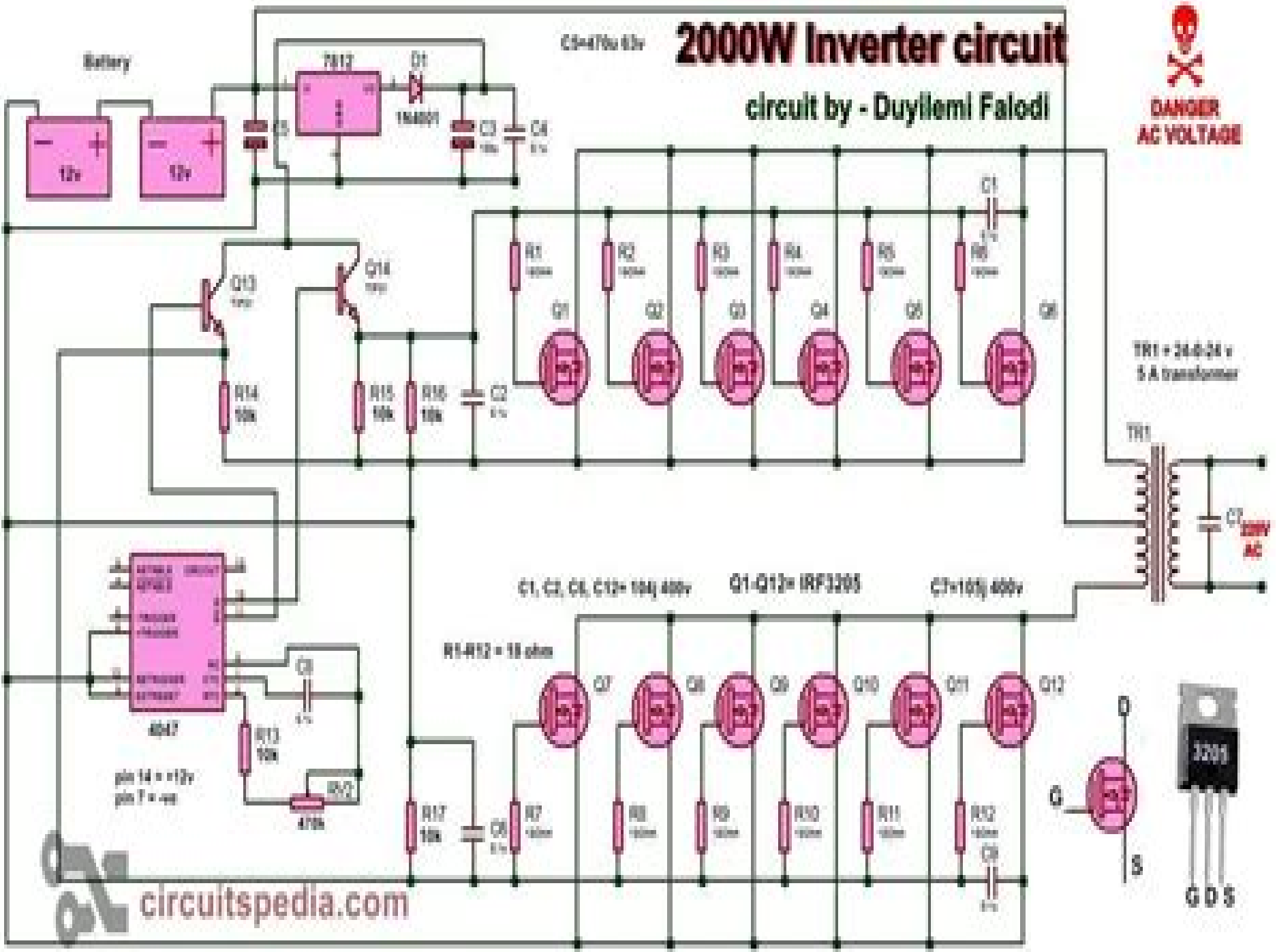


2000W Inverter circuit

circuit by - Duyilemi Falodi



Power Inverter Circuit Design Mybooklibrary

Qing-Chang Zhong, Tomas Hornik



Power Inverter Circuit Design Mybooklibrary:

Enjoying the Track of Expression: An Psychological Symphony within **Power Inverter Circuit Design Mybooklibrary**

In a world taken by displays and the ceaseless chatter of instant conversation, the melodic beauty and mental symphony produced by the prepared word frequently fade into the background, eclipsed by the constant sound and interruptions that permeate our lives. But, set within the pages of **Power Inverter Circuit Design Mybooklibrary** a marvelous fictional prize overflowing with natural feelings, lies an immersive symphony waiting to be embraced. Constructed by a masterful composer of language, that interesting masterpiece conducts readers on a mental trip, skillfully unraveling the concealed songs and profound impact resonating within each cautiously crafted phrase. Within the depths with this touching examination, we can explore the book is central harmonies, analyze their enthralling publishing design, and surrender ourselves to the profound resonance that echoes in the depths of readers souls.

<https://py.bijouxmedusa.com/data/Resources/default.aspx/trident%20security%20solutions.pdf>

Table of Contents Power Inverter Circuit Design Mybooklibrary

1. Understanding the eBook Power Inverter Circuit Design Mybooklibrary
 - The Rise of Digital Reading Power Inverter Circuit Design Mybooklibrary
 - Advantages of eBooks Over Traditional Books
2. Identifying Power Inverter Circuit Design Mybooklibrary
 - Exploring Different Genres
 - Considering Fiction vs. Non-Fiction
 - Determining Your Reading Goals
3. Choosing the Right eBook Platform
 - Popular eBook Platforms
 - Features to Look for in an Power Inverter Circuit Design Mybooklibrary
 - User-Friendly Interface
4. Exploring eBook Recommendations from Power Inverter Circuit Design Mybooklibrary
 - Personalized Recommendations

- Power Inverter Circuit Design Mybooklibrary User Reviews and Ratings
- Power Inverter Circuit Design Mybooklibrary and Bestseller Lists
- 5. Accessing Power Inverter Circuit Design Mybooklibrary Free and Paid eBooks
 - Power Inverter Circuit Design Mybooklibrary Public Domain eBooks
 - Power Inverter Circuit Design Mybooklibrary eBook Subscription Services
 - Power Inverter Circuit Design Mybooklibrary Budget-Friendly Options
- 6. Navigating Power Inverter Circuit Design Mybooklibrary eBook Formats
 - ePub, PDF, MOBI, and More
 - Power Inverter Circuit Design Mybooklibrary Compatibility with Devices
 - Power Inverter Circuit Design Mybooklibrary Enhanced eBook Features
- 7. Enhancing Your Reading Experience
 - Adjustable Fonts and Text Sizes of Power Inverter Circuit Design Mybooklibrary
 - Highlighting and Note-Taking Power Inverter Circuit Design Mybooklibrary
 - Interactive Elements Power Inverter Circuit Design Mybooklibrary
- 8. Staying Engaged with Power Inverter Circuit Design Mybooklibrary
 - Joining Online Reading Communities
 - Participating in Virtual Book Clubs
 - Following Authors and Publishers Power Inverter Circuit Design Mybooklibrary
- 9. Balancing eBooks and Physical Books Power Inverter Circuit Design Mybooklibrary
 - Benefits of a Digital Library
 - Creating a Diverse Reading Collection Power Inverter Circuit Design Mybooklibrary
- 10. Overcoming Reading Challenges
 - Dealing with Digital Eye Strain
 - Minimizing Distractions
 - Managing Screen Time
- 11. Cultivating a Reading Routine Power Inverter Circuit Design Mybooklibrary
 - Setting Reading Goals Power Inverter Circuit Design Mybooklibrary
 - Carving Out Dedicated Reading Time
- 12. Sourcing Reliable Information of Power Inverter Circuit Design Mybooklibrary
 - Fact-Checking eBook Content of Power Inverter Circuit Design Mybooklibrary

- Distinguishing Credible Sources
13. Promoting Lifelong Learning
- Utilizing eBooks for Skill Development
 - Exploring Educational eBooks
14. Embracing eBook Trends
- Integration of Multimedia Elements
 - Interactive and Gamified eBooks

Power Inverter Circuit Design Mybooklibrary Introduction

In this digital age, the convenience of accessing information at our fingertips has become a necessity. Whether its research papers, eBooks, or user manuals, PDF files have become the preferred format for sharing and reading documents. However, the cost associated with purchasing PDF files can sometimes be a barrier for many individuals and organizations. Thankfully, there are numerous websites and platforms that allow users to download free PDF files legally. In this article, we will explore some of the best platforms to download free PDFs. One of the most popular platforms to download free PDF files is Project Gutenberg. This online library offers over 60,000 free eBooks that are in the public domain. From classic literature to historical documents, Project Gutenberg provides a wide range of PDF files that can be downloaded and enjoyed on various devices. The website is user-friendly and allows users to search for specific titles or browse through different categories. Another reliable platform for downloading Power Inverter Circuit Design Mybooklibrary free PDF files is Open Library. With its vast collection of over 1 million eBooks, Open Library has something for every reader. The website offers a seamless experience by providing options to borrow or download PDF files. Users simply need to create a free account to access this treasure trove of knowledge. Open Library also allows users to contribute by uploading and sharing their own PDF files, making it a collaborative platform for book enthusiasts. For those interested in academic resources, there are websites dedicated to providing free PDFs of research papers and scientific articles. One such website is Academia.edu, which allows researchers and scholars to share their work with a global audience. Users can download PDF files of research papers, theses, and dissertations covering a wide range of subjects. Academia.edu also provides a platform for discussions and networking within the academic community. When it comes to downloading Power Inverter Circuit Design Mybooklibrary free PDF files of magazines, brochures, and catalogs, Issuu is a popular choice. This digital publishing platform hosts a vast collection of publications from around the world. Users can search for specific titles or explore various categories and genres. Issuu offers a seamless reading experience with its user-friendly interface and allows users to download PDF files for offline reading. Apart from dedicated platforms, search engines also play a crucial role in finding free PDF files. Google, for

instance, has an advanced search feature that allows users to filter results by file type. By specifying the file type as "PDF," users can find websites that offer free PDF downloads on a specific topic. While downloading Power Inverter Circuit Design Mybooklibrary free PDF files is convenient, it's important to note that copyright laws must be respected. Always ensure that the PDF files you download are legally available for free. Many authors and publishers voluntarily provide free PDF versions of their work, but it's essential to be cautious and verify the authenticity of the source before downloading Power Inverter Circuit Design Mybooklibrary. In conclusion, the internet offers numerous platforms and websites that allow users to download free PDF files legally. Whether it's classic literature, research papers, or magazines, there is something for everyone. The platforms mentioned in this article, such as Project Gutenberg, Open Library, Academia.edu, and Issuu, provide access to a vast collection of PDF files. However, users should always be cautious and verify the legality of the source before downloading Power Inverter Circuit Design Mybooklibrary any PDF files. With these platforms, the world of PDF downloads is just a click away.

FAQs About Power Inverter Circuit Design Mybooklibrary Books

What is a Power Inverter Circuit Design Mybooklibrary PDF? A PDF (Portable Document Format) is a file format developed by Adobe that preserves the layout and formatting of a document, regardless of the software, hardware, or operating system used to view or print it. **How do I create a Power Inverter Circuit Design Mybooklibrary PDF?** There are several ways to create a PDF: Use software like Adobe Acrobat, Microsoft Word, or Google Docs, which often have built-in PDF creation tools. Print to PDF: Many applications and operating systems have a "Print to PDF" option that allows you to save a document as a PDF file instead of printing it on paper. Online converters: There are various online tools that can convert different file types to PDF. **How do I edit a Power Inverter Circuit Design Mybooklibrary PDF?** Editing a PDF can be done with software like Adobe Acrobat, which allows direct editing of text, images, and other elements within the PDF. Some free tools, like PDFescape or Smallpdf, also offer basic editing capabilities. **How do I convert a Power Inverter Circuit Design Mybooklibrary PDF to another file format?** There are multiple ways to convert a PDF to another format: Use online converters like Smallpdf, Zamzar, or Adobe Acrobat's export feature to convert PDFs to formats like Word, Excel, JPEG, etc. Software like Adobe Acrobat, Microsoft Word, or other PDF editors may have options to export or save PDFs in different formats. **How do I password-protect a Power Inverter Circuit Design Mybooklibrary PDF?** Most PDF editing software allows you to add password protection. In Adobe Acrobat, for instance, you can go to "File" -> "Properties" -> "Security" to set a password to restrict access or editing capabilities. Are there any free alternatives to Adobe Acrobat for working with PDFs? Yes, there are many free alternatives for working with PDFs, such as: LibreOffice: Offers PDF editing

features. PDFsam: Allows splitting, merging, and editing PDFs. Foxit Reader: Provides basic PDF viewing and editing capabilities. How do I compress a PDF file? You can use online tools like Smallpdf, ILovePDF, or desktop software like Adobe Acrobat to compress PDF files without significant quality loss. Compression reduces the file size, making it easier to share and download. Can I fill out forms in a PDF file? Yes, most PDF viewers/editors like Adobe Acrobat, Preview (on Mac), or various online tools allow you to fill out forms in PDF files by selecting text fields and entering information. Are there any restrictions when working with PDFs? Some PDFs might have restrictions set by their creator, such as password protection, editing restrictions, or print restrictions. Breaking these restrictions might require specific software or tools, which may or may not be legal depending on the circumstances and local laws.

Find Power Inverter Circuit Design Mybooklibrary :

trident security solutions

[time lapse photography a complete introduction to shooting processing and rendering time lapse movies with a dslr camera volume 1](#)

~~touchstone 1 second edition workbook download~~

understanding the systemvue to ads simulation bridge

[title immunology hematology medical english semiology](#)

[toilet paper issue 10 toiletpaper magazine](#)

[tomorrow war the chronicles of max 1 by j l bourne](#)

topology optimization additive manufacturing a perfect

toyota kijang 7k

[total water management in the steel industry](#)

[total yoga tara fraser](#)

toyota ist owners manual 2640 sewing machine

umberto miletto body building roidsupplier

treasure yourself power thoughts for my generation miranda kerr

[toyota townace noah abs wire](#)

Power Inverter Circuit Design Mybooklibrary :

53 adjectives 2nd grade ideas adjectives teaching pinterest - Jun 07 2022

web aug 29 2015 explore alana mccoys board adjectives 2nd grade followed by 233 people on pinterest see more ideas about adjectives teaching teaching writing

[adjectives worksheets for second grade teaching resources](#) - Feb 15 2023

web adjectives and adverbs activities and literacy centers for 2nd grade this product consists of practice worksheets that target the common core standards for adjectives and adverbs in 2nd grade and 4 games for your literacy center practice sheets clearly target a common core standard that is identified on the top right corner of each page

adjective grammar parts of speech for 2nd grade kids academy - Dec 13 2022

web dec 15 2021 to demonstrate we have the useful worksheet titled adjectives in sentences in which your kid has to identify the adjective in the given sentences for example in the first sentence we ate delicious peaches help your child find the noun first and then ask them what the word that directly precedes the noun is and if

[results for adjectives for 2nd grade ppt](#) - Oct 11 2022

web fourteen no prep adjectives and adverbs worksheets with engaging hands on cut and paste puzzles and riddles aligned with the common core standards to focus on and practice these important skills for grades 2 and 3 identifying adjectives and adverbs sorting adjectives to describe how something looks feels sounds smells and tastes

identify adjectives in paragraph 2nd grade orientation sutd edu - May 06 2022

web identify adjectives in paragraph 2nd grade as one of the bulk running sellers here will totally be accompanied by by the best possibilities to review orientation sutd edu sg 1 2

second grade adjective worksheets all kids network - Aug 21 2023

web while the tasks become familiar the concept has changed to words that describe nouns adjectives students continue to identify adjectives use them in sentences they write on their own and to differentiate adjectives from other words make sure to check out the rest of our grammar worksheets

adjectives 2nd grade writing google sites - Sep 10 2022

web a udience 2nd grade students oregon state standard el 02 wr 09 select and use descriptive words when writing goal statement students will select and use adjectives in their writing objective for this lesson students will learn the definition of an adjective and will create a list of adjectives to use in their writing

adjectives 2nd grade grammar class ace - Jul 20 2023

web 1 52 what are adjectives nouns are words for people places or things adjectives are words that describe nouns uses for adjectives adjectives can answer many questions 1 what kind i bought pink shoes for dance class pink is an adjective that describes shoes 2 how many or how much i had four rubber ducks in the bathtub

identifying adjectives worksheets for grade 2 k5 learning - Sep 22 2023

web grammar worksheets find the adjectives and nouns adjectives are words that describe nouns in these grammar worksheets students identify the adjectives from a list of words in the third worksheet students also identify the nouns
how to write a paragraph in 1st and 2nd grade susan jones - Mar 16 2023

web dec 24 2021 below i share four steps that will help you use this writing workshop model to teach your 1st and 2nd grade students how to write a paragraph 1 explicitly explain what a paragraph is

3 ways to identify an adjective wikihow - Jul 08 2022

web feb 3 2023 because adjectives appear in a few places within a sentence you can usually spot an adjective by checking certain places depending on the form of the adjective it may also have a suffix such as ish ous or ful which can make it easy to identify adjectives that are not used in a sentence

adjectives and nouns worksheets for grade 2 k5 learning - Apr 05 2022

web grade 2 grammar worksheets on adjectives and the nouns they describe in sentences students have to identify the adjectives in sentences and then the nouns those adjectives describe free and printable worksheets from k5 learning no login required

vocabulary and paragraphs worksheets k5 learning - Mar 04 2022

web grade 2 vocabulary worksheets on filling in words in paragraphs free worksheets vocabulary grade 2 printable

finding adjectives in paragraph worksheets k12 workbook - Nov 12 2022

web finding adjectives in paragraph displaying all worksheets related to finding adjectives in paragraph worksheets are finding adjectives work work 3 identifying adjectives finding adjectives work finding adjectives in a sentence work adverb or adjective name adjectives adverbs and adjectives work sentences with adjectives and adverbs

free printable adjectives worksheets for 2nd grade quizizz - Jun 19 2023

web free printable adjectives worksheets for 2nd grade adjectives are essential for reading writing success in grade 2 discover our collection of free printable worksheets to help students master the use of descriptive words and enhance their writing skills grade 2 adjectives adjectives

browse printable 2nd grade adjective worksheets education com - May 18 2023

web designed to enhance a second grade reading and writing curriculum these worksheets help children identify and use adjectives across multiple contexts from crossword puzzles and fill in the blank activities to brainstorming and creative writing exercises these worksheets provide a fun way to build your children s vocabulary

paragraph writing in 1st and 2nd grade the brown bag teacher - Jan 14 2023

web apr 17 2016 identifying the parts of a paragraph as we are being exposed to these paragraphs i begin introducing our 1st grade paragraphs we use the model of a 1 4 paragraph which includes a main idea detail example explanation and a wrap

up sentence we have whole brain gestures for our paragraphs that look like this

[grade 2 adjectives worksheets k5 learning](#) - Oct 23 2023

web identifying adjectives identify adjectives circle the adjectives in the list of words adjectives in sentences underline the adjectives in each sentence adjectives and nouns identify the adjective and the noun it describes adjectives after nouns

identify adjectives nouns in sentences where the noun comes first using adjectives

adjectives k5 learning - Apr 17 2023

web title adjectives worksheet author k5 learning subject grade 2 adjectives worksheet adjectives keywords adjectives grade 2 grammar english worksheet

[second grade adjective list teaching resources tpt](#) - Aug 09 2022

web second grade ela activities for adjectives an important part of our students vocabulary grammar and writing making lists of adjectives to describe things your students are very familiar with will transfer to adding descriptive words to their writing

l Épouvanteur poche tome 01 reader q a goodreads - Jul 14 2023

web readers questions about l Épouvanteur poche tome 01 l apprenti Épouvanteur french edition 16 questions answered

l a pouvanteur poche tome 01 l apprenti a pouvant pdf - Apr 30 2022

web l a pouvanteur poche tome 01 l apprenti a pouvant downloaded from support old xes inc com by guest chanel laylah l

Épouvanteur tome 11 random house depuis plusieurs années alice combat aux côtés de l Épouvanteur john gregory et de son apprenti thomas ward afin de détruire le malin ce dernier doit accomplir un

[l a pouvanteur poche tome 01 l apprenti a pouvant](#) - Feb 26 2022

web l a pouvanteur poche tome 01 l apprenti a pouvant this is likewise one of the factors by obtaining the soft documents of this l a pouvanteur poche tome 01 l apprenti a pouvant by online you might not require more period to spend to go to the books commencement as capably as search for them in some cases you likewise get not

l a pouvanteur poche tome 01 l apprenti a pouvant pdf - Nov 06 2022

web jul 1 2023 l a pouvanteur poche tome 01 l apprenti a pouvant 1 1 downloaded from uniport edu ng on july 1 2023 by

guest l a pouvanteur poche tome 01 l apprenti a pouvant right here we have countless ebook l a pouvanteur poche tome 01 l apprenti a pouvant and collections to check out we additionally manage to pay for variant

[pdf l a pouvanteur poche tome 01 l apprenti a pouvant pdf](#) - May 12 2023

web cases you likewise get not discover the message l a pouvanteur poche tome 01 l apprenti a pouvant pdf that you are

looking for it will agreed squander the time however below taking into consideration you visit this web page it will be thus no question simple to acquire as capably as download guide l a pouvanteur poche tome 01 l apprenti a

l a pouvanteur poche tome 01 l apprenti a pouvant full pdf - Apr 11 2023

web 4 l a pouvanteur poche tome 01 l apprenti a pouvant 2022 07 10 d honorer en échange de nessa la fille aînée qu il compte vendre comme esclave il a promis d épargner les deux plus jeunes et de les conduire chez leur oncle et tante les trois soeurs terrifiées n ont pas d autre choix que de suivre cette créature assoiffée de

[l Épouvanteur poche tome 01 l apprenti Épouvanteur](#) - Aug 15 2023

web jan 1 2004 4 01 48 532 ratings 3 617 reviews thomas ward is the seventh son of a seventh son and has been apprenticed to the local spook the job is hard the spook is distant and many apprentices have failed before thomas somehow thomas must learn how to exorcise ghosts contain witches and bind boggarts

l a pouvanteur poche tome 01 l apprenti a pouvant jean - Sep 04 2022

web pouvanteur poche tome 01 l apprenti a pouvant suitably simple the ruins of gorlan john flanagan 2006 06 08 the international bestselling series with over 5 million copies sold in the u s alone they have always scared him in the past the rangers with their dark cloaks and shadowy ways the villagers believe the

l épouvanteur l apprenti Épouvanteur tome 01 l Épouvanteur poche - Dec 27 2021

web feb 22 2017 thomas ward est le septième fils d un septième fils il possède un don particulier pour voir et entendre ce que le commun des mortels ne voit ni n entend il entame donc son apprentissage auprès de l Épouvanteur john gregory

l a pouvanteur poche tome 01 l apprenti a pouvant pdf nba - Dec 07 2022

web pouvanteur poche tome 01 l apprenti a pouvant pdf is universally compatible when any devices to read incarceration catherine fisher 2011 02 08 incarceration is a prison so vast that it contains not only cells and corridors but metal forests dilapidated cities and wilderness it has been sealed for centuries and only one man has ever escaped

l a pouvanteur poche tome 01 l apprenti a pouvant pdf - Oct 05 2022

web apr 6 2023 less latency era to download any of our books when this one merely said the l a pouvanteur poche tome 01 l apprenti a pouvant is universally compatible subsequently any devices to read sorceline sylvia douyé 2022 05 17 welcome to the island of vorn where mythical creatures roam free and only the brightest students are invited to study

l Épouvanteur tome 01 l apprenti épouvanteur goodreads - Jun 13 2023

web thomas ward le septième fils d un septième fils devient l apprenti de l Épouvanteur du comté il doit apprendre à tenir les spectres à distance à entraver les gobelins à empêcher les sorcières de nuire mais lorsqu il libère involontairement mère malkin la sorcière la plus maléfique qui soit l horreur commence

[l a pouvanteur poche tome 01 l apprenti a pouvant mary h](#) - Jun 01 2022

web collections l a pouvanteur poche tome 01 l apprenti a pouvant that we will very offer it is not as regards the costs its very nearly what you dependence currently this l a pouvanteur poche tome 01 l apprenti a pouvant as one of the most full of life sellers here will unconditionally be among the best options to review raven s strike

download solutions l a pouvanteur poche tome 01 l apprenti a pouvant - Mar 10 2023

web l a pouvanteur poche tome 01 l apprenti a pouvant pdf recognizing the pretension ways to get this book l a pouvanteur poche tome 01 l apprenti a pouvant pdf is additionally useful you have remained in right site to begin getting this info acquire the l a pouvanteur poche tome 01 l apprenti a pouvant pdf member that we present here

l Épouvanteur poche tome 01 l apprenti Épouvanteur - Aug 03 2022

web arrives by thu dec 1 buy l Épouvanteur poche tome 01 l apprenti Épouvanteur at walmart com

l a pouvanteur poche tome 01 l apprenti a pouvant pdf pdf - Jan 08 2023

web l a pouvanteur poche tome 01 l apprenti a pouvant pdf upload mia d hayda 2 5 downloaded from voto uncal edu br on august 31 2023 by mia d hayda à la porte d une étrange maison dont le propriétaire n est autre que tom ward ensemble les deux hommes partent affronter une puissante créature de l obscur

pdf l a pouvanteur poche tome 01 l apprenti a pouvant - Mar 30 2022

web mar 25 2023 this l a pouvanteur poche tome 01 l apprenti a pouvant as one of the most working sellers here will enormously be in the course of the best options to review claiming the highlander kinley macgregor 2009 10 13 to end a long running feud a proud scottish lass convinced the clan s women to

l a pouvanteur poche tome 01 l apprenti a pouvant copy - Jul 02 2022

web l epouvanteur et son apprenti thomas ward se sont rendus à prieststown pour y achever un travail dans les profondeurs des catacombes de la cathédrale est tapie une créature que l epouvanteur n a jamais réussi à vaincre

l a pouvanteur poche tome 01 l apprenti a pouvant pdf pdf - Jan 28 2022

web l a pouvanteur poche tome 01 l apprenti a pouvant pdf if you ally infatuation such a referred l a pouvanteur poche tome 01 l apprenti a pouvant pdf ebook that will come up with the money for you worth get the enormously best seller from us currently from several preferred authors if you desire to funny books lots of novels tale jokes and

l a pouvanteur poche tome 01 l apprenti a pouvant pdf pdf - Feb 09 2023

web mar 23 2023 kindly say the l a pouvanteur poche tome 01 l apprenti a pouvant pdf is universally compatible with any devices to read harper and the circus of dreams cerrie burnell 2017 10 31 late one evening as the stars begin to twinkle harper and her friends are flying on the scarlet umbrella when they see a girl running on air skipping along a

c by example perry greg amazon com tr kitap - May 03 2023

web que corporation 1994 c computer program language 633 pages the newest edition of this revolutionary book comprehensive coverage with liberal use of program listing call

c by example amazon co uk perry greg 9788120316638 books - Nov 28 2022

web c by example que 1999 greg perry free ebook download as pdf file pdf text file txt or read book online for free c by

example que 1999 greg perry

c by example programming series book by greg perry - Jul 25 2022

web c by example que 1999 greg perry owner imported popoyboy featured pointer computer programming c programming language array data structure remote

c by example academic edition greg perry 9781565294530 - Dec 30 2022

web nov 10 2017 isbn 9780789722393 1st edition paperback que publishing 1999 condition good ships in a box from central missouri may not include working access

c by example programming series by greg perry goodreads - Apr 21 2022

web c by example programming que programming series author greg m perry edition illustrated publisher que 1992 isbn 1565290380 9781565290389 length 790

c by example que 1999 greg perry pdf pointer - Sep 26 2022

web c by example is designed to make programming easy to learn for the beginning programmer it builds the reader s programming skills by using clear easy to understand

c by example greg m perry google books - Apr 02 2023

web dec 13 1999 c by example is designed to make programming easy to learn for the beginning programmer it builds the reader s programming skills by using clear easy to

c by example by greg perry goodreads - Jun 04 2023

web c by example is designed to make programming easy to learn for the beginning programmer it builds the reader s programming skills by using clear easy to understand

c by example by greg perry used 9780789722393 world of - Jun 23 2022

web sep 1 1992 read reviews from the world s largest community for readers uses examples exercises short chapters and many marginal illustrations and explanations to

c by example perry greg amazon ca books - Jan 31 2023

web buy c by example 1 by perry greg isbn 9788120316638 from amazon s book store everyday low prices and free delivery on eligible orders

pdf c by example greg m perry pdf dokumen tips - Nov 16 2021

c by example greg m perry google books - Feb 17 2022

web c by example programming series greg m perry alfred d decelles code of conduct taken by two seeding eden 3 by aya morningstar educated by the earl

amazon com c by example 9788120316638 perry - Oct 08 2023

web que 1993 c computer program language 633 pages the newest edition of this revolutionary book comprehensive coverage with liberal use of program listing call outs

[c by example que 1999 greg perry papasgirl com greg m](#) - May 23 2022

web dec 23 1999 buy c by example paperback book by greg perry from as low as 4 58 buy 3 get 1 free our best sale yet add 4 books priced under 5 to your cart learn

[c by example que 1999 greg perry etappls com](#) - Jan 19 2022

web predecessor c is known as a weakly typed language variable data types do not necessarily have to hold the same type of data function prototyping and type casting

c by example programming series greg m perry - Dec 18 2021

c by example by greg m perry open library - Jul 05 2023

web arama yapmak istediğiniz kategoriye seçin

c by example greg m perry free download - Aug 06 2023

web may 1 1992 c by example makes programming easy to learn for the beginning programmer it builds your programming skills by using clear easy to understand

c by example academic edition greg m perry google books - Mar 01 2023

web c by example academic edition by greg perry isbn 10 156529453x isbn 13 9781565294530 que education training 1994 softcover

c by example by perry greg good paperback 1999 1st edition - Oct 28 2022

web worldcat is the world's largest library catalog helping you find library materials online

c by example greg m perry google books - Sep 07 2023

web nov 15 2020 c by example by greg m perry 1992 que edition in english

c by example worldcat org - Aug 26 2022

web buy c by example by greg perry available in used condition with free delivery in the uk isbn 9780789722393 isbn 10 0789722399

buy c by example book by greg perry - Mar 21 2022

web c by example que 1999 greg perry architect uploaded popoyboy groups pointer computer programming c programming language array data structure command