

Wire colours

Blk	Black	Pk	Pink
Br	Brown	Rd	Red
Blu	Blue	Vl	Violet
Grn	Green	Wh	White
Gr	Grey	Yl	Yellow
Nt	Neutral		

Key to items

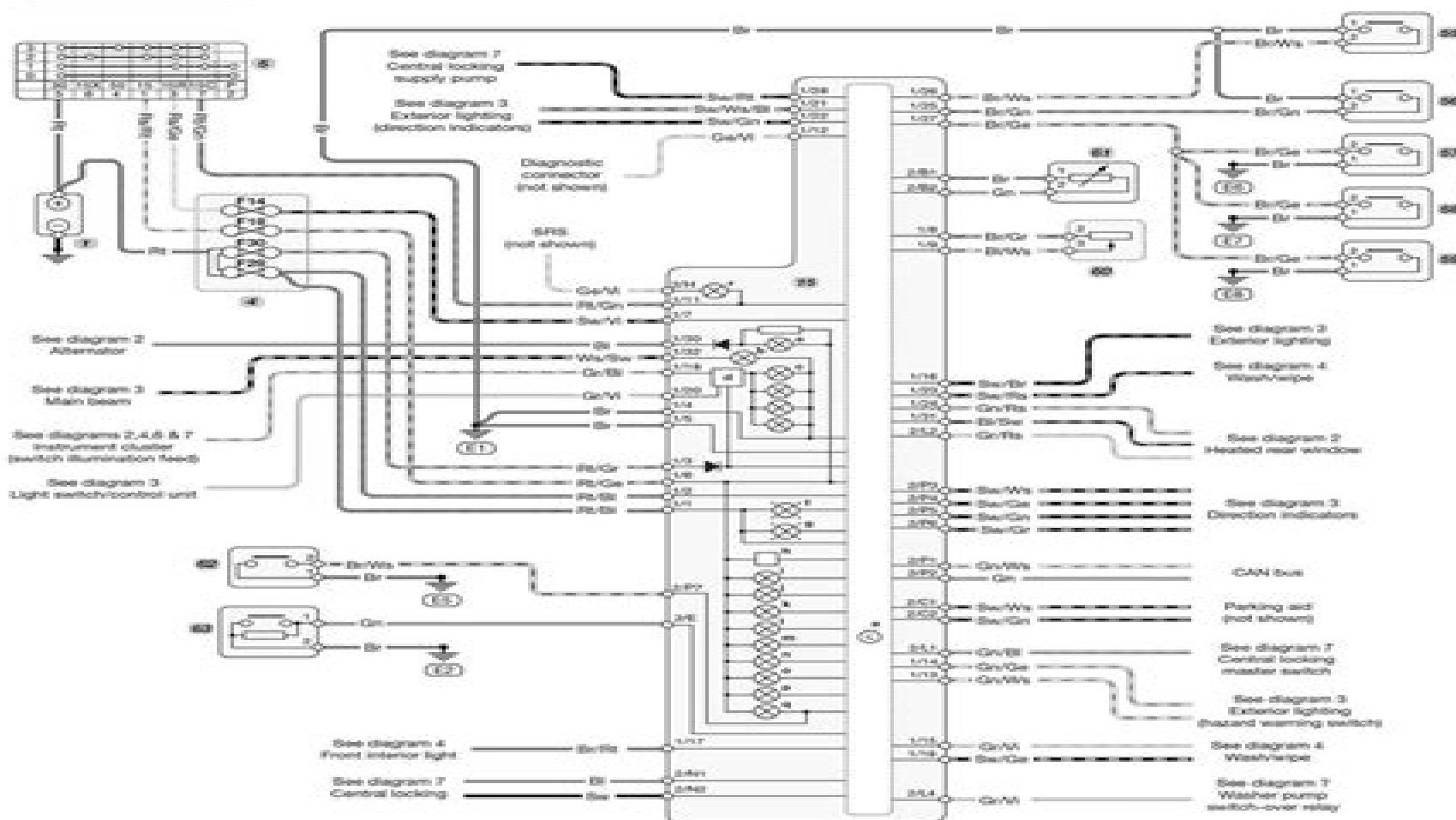
- 1 Battery
- 4 Fusebox
- 5 Ignition switch
- 15 Instrument cluster
- a = alternator warning light
- b = main beam warning light
- c = instrument illumination
- d = illumination rheostat
- e = instrument cluster control unit
- f = LH direction indicator
- g = RH direction indicator
- h = direction indicator warning buzzer
- i = engine management warning light
- j = oil level warning light
- k = low fuel level warning light
- l = pad wear indicator warning light
- m = seatbelt reminder warning light
- n = coolant temp. warning light
- o = ABS warning light
- p = ABS warning light
- q = brake fluid/handbrake warning light
- r = SRS warning light

Diagram 5

- 55 LH front door switch
- 56 RH front door switch
- 57 LH rear door switch
- 58 RH rear door switch
- 59 Luggage compartment light switch
- 60 Fuel gauge sender unit
- 61 Ambient air temp. sensor
- 62 Brake fluid level sensor
- 63 Coolant level sensor

W00763

Instrument cluster



Wiring Mercedes Benz

Tom Weathers, Claud C. Hunter

Wiring Mercedes Benz:

Wiring Mercedes Benz Book Review: Unveiling the Magic of Language

In an electronic era where connections and knowledge reign supreme, the enchanting power of language has become more apparent than ever. Its ability to stir emotions, provoke thought, and instigate transformation is actually remarkable. This extraordinary book, aptly titled "**Wiring Mercedes Benz**," written by a very acclaimed author, immerses readers in a captivating exploration of the significance of language and its profound effect on our existence. Throughout this critique, we shall delve into the book's central themes, evaluate its unique writing style, and assess its overall influence on its readership.

https://py.bijouxmedusa.com/public/book-search/HomePages/World_Geography_Unit_2_Test_Answers.pdf

Table of Contents Wiring Mercedes Benz

1. Understanding the eBook Wiring Mercedes Benz
 - The Rise of Digital Reading Wiring Mercedes Benz
 - Advantages of eBooks Over Traditional Books
2. Identifying Wiring Mercedes Benz
 - Exploring Different Genres
 - Considering Fiction vs. Non-Fiction
 - Determining Your Reading Goals
3. Choosing the Right eBook Platform
 - Popular eBook Platforms
 - Features to Look for in an Wiring Mercedes Benz
 - User-Friendly Interface
4. Exploring eBook Recommendations from Wiring Mercedes Benz
 - Personalized Recommendations
 - Wiring Mercedes Benz User Reviews and Ratings
 - Wiring Mercedes Benz and Bestseller Lists
5. Accessing Wiring Mercedes Benz Free and Paid eBooks

- Wiring Mercedes Benz Public Domain eBooks
 - Wiring Mercedes Benz eBook Subscription Services
 - Wiring Mercedes Benz Budget-Friendly Options
6. Navigating Wiring Mercedes Benz eBook Formats
 - ePub, PDF, MOBI, and More
 - Wiring Mercedes Benz Compatibility with Devices
 - Wiring Mercedes Benz Enhanced eBook Features
 7. Enhancing Your Reading Experience
 - Adjustable Fonts and Text Sizes of Wiring Mercedes Benz
 - Highlighting and Note-Taking Wiring Mercedes Benz
 - Interactive Elements Wiring Mercedes Benz
 8. Staying Engaged with Wiring Mercedes Benz
 - Joining Online Reading Communities
 - Participating in Virtual Book Clubs
 - Following Authors and Publishers Wiring Mercedes Benz
 9. Balancing eBooks and Physical Books Wiring Mercedes Benz
 - Benefits of a Digital Library
 - Creating a Diverse Reading Collection Wiring Mercedes Benz
 10. Overcoming Reading Challenges
 - Dealing with Digital Eye Strain
 - Minimizing Distractions
 - Managing Screen Time
 11. Cultivating a Reading Routine Wiring Mercedes Benz
 - Setting Reading Goals Wiring Mercedes Benz
 - Carving Out Dedicated Reading Time
 12. Sourcing Reliable Information of Wiring Mercedes Benz
 - Fact-Checking eBook Content of Wiring Mercedes Benz
 - Distinguishing Credible Sources
 13. Promoting Lifelong Learning
 - Utilizing eBooks for Skill Development

- Exploring Educational eBooks
14. Embracing eBook Trends
- Integration of Multimedia Elements
 - Interactive and Gamified eBooks

Wiring Mercedes Benz Introduction

In the digital age, access to information has become easier than ever before. The ability to download Wiring Mercedes Benz has revolutionized the way we consume written content. Whether you are a student looking for course material, an avid reader searching for your next favorite book, or a professional seeking research papers, the option to download Wiring Mercedes Benz has opened up a world of possibilities. Downloading Wiring Mercedes Benz provides numerous advantages over physical copies of books and documents. Firstly, it is incredibly convenient. Gone are the days of carrying around heavy textbooks or bulky folders filled with papers. With the click of a button, you can gain immediate access to valuable resources on any device. This convenience allows for efficient studying, researching, and reading on the go. Moreover, the cost-effective nature of downloading Wiring Mercedes Benz has democratized knowledge. Traditional books and academic journals can be expensive, making it difficult for individuals with limited financial resources to access information. By offering free PDF downloads, publishers and authors are enabling a wider audience to benefit from their work. This inclusivity promotes equal opportunities for learning and personal growth. There are numerous websites and platforms where individuals can download Wiring Mercedes Benz. These websites range from academic databases offering research papers and journals to online libraries with an expansive collection of books from various genres. Many authors and publishers also upload their work to specific websites, granting readers access to their content without any charge. These platforms not only provide access to existing literature but also serve as an excellent platform for undiscovered authors to share their work with the world. However, it is essential to be cautious while downloading Wiring Mercedes Benz. Some websites may offer pirated or illegally obtained copies of copyrighted material. Engaging in such activities not only violates copyright laws but also undermines the efforts of authors, publishers, and researchers. To ensure ethical downloading, it is advisable to utilize reputable websites that prioritize the legal distribution of content. When downloading Wiring Mercedes Benz, users should also consider the potential security risks associated with online platforms. Malicious actors may exploit vulnerabilities in unprotected websites to distribute malware or steal personal information. To protect themselves, individuals should ensure their devices have reliable antivirus software installed and validate the legitimacy of the websites they are downloading from. In conclusion, the ability to download Wiring Mercedes Benz has transformed the way we access information. With the convenience, cost-effectiveness, and accessibility it offers, free PDF downloads have become a popular

choice for students, researchers, and book lovers worldwide. However, it is crucial to engage in ethical downloading practices and prioritize personal security when utilizing online platforms. By doing so, individuals can make the most of the vast array of free PDF resources available and embark on a journey of continuous learning and intellectual growth.

FAQs About Wiring Mercedes Benz Books

How do I know which eBook platform is the best for me? Finding the best eBook platform depends on your reading preferences and device compatibility. Research different platforms, read user reviews, and explore their features before making a choice. Are free eBooks of good quality? Yes, many reputable platforms offer high-quality free eBooks, including classics and public domain works. However, make sure to verify the source to ensure the eBook credibility. Can I read eBooks without an eReader? Absolutely! Most eBook platforms offer web-based readers or mobile apps that allow you to read eBooks on your computer, tablet, or smartphone. How do I avoid digital eye strain while reading eBooks? To prevent digital eye strain, take regular breaks, adjust the font size and background color, and ensure proper lighting while reading eBooks. What the advantage of interactive eBooks? Interactive eBooks incorporate multimedia elements, quizzes, and activities, enhancing the reader engagement and providing a more immersive learning experience. Wiring Mercedes Benz is one of the best book in our library for free trial. We provide copy of Wiring Mercedes Benz in digital format, so the resources that you find are reliable. There are also many Ebooks of related with Wiring Mercedes Benz. Where to download Wiring Mercedes Benz online for free? Are you looking for Wiring Mercedes Benz PDF? This is definitely going to save you time and cash in something you should think about.

Find Wiring Mercedes Benz :

world geography unit 2 test answers

writ of garnishment in aid of writ of attachment co courts

wordly wise 7 lesson 14 answer key

wiley molecular symmetry and group theory robert l carter

william zikmund business research methods 9th edition

what is a lfr and how can a reactor be so safe molten salt reactors including liquid fluoride thorium reactors

yuvakbharati english 12th guide pdf portion answers

works and days and theogony

[yookoso an invitation to contemporary japanese third edition](#)

workshop technology textbook rs khurmi

what is morphology aronoff pdf

zero to one notes on startups or how to build the future by peter thiel blake masters book summary

[work smarter live better](#)

zidane 1x2 football fixed

windows forensic analysis toolkit fourth edition advanced analysis techniques for windows 8

Wiring Mercedes Benz :

[organic architecture and frank lloyd wright in](#) - Sep 26 2022

web each building or design becomes a reflection of the architect so for frank lloyd wright those buildings were born from ideas and interpretations of an organic architecture that were harmonious with nature celestial and modern in design they were based upon his theory of how form and function are one

organic architecture springerlink - Apr 21 2022

web sep 2 2016 josephine vaughan mathematics and the built environment book series mabe volume 1 as is often the case with portmanteau titles that are used to artificially group a set of works descriptions of the formal properties of organic modernity vary considerably joedicke 1997 kuhlman 2008

[an organic architecture the architecture of democracy by frank lloyd](#) - Mar 21 2022

web frank lloyd wright 4 13 16 ratings1 review in may 1939 when london s architecture could only wait helplessly before the coming destruction and man s spirit and spiritual claims were at a low ebb frank lloyd wright delivered

[organic architecture and the sustaining ecosystem frank lloyd wright](#) - Oct 08 2023

web jul 11 2018 in this synthesis of nature the solutions for living that it offered and the promise of idealized democracy wright established his manifesto of organic architecture that the visitor to taliesin west would encounter and understand before coming into the spaces and buildings of wright s design

the harmony of form and function frank lloyd wright artland magazine - Jun 23 2022

web the harmony of form and function frank lloyd wright s organic architecture frank lloyd wright fallingwater pennsylvania completed in 1937 by benedetta ricci the mission of an architect is to help people understand how to make life more beautiful the world a better one for living in and to give reason rhyme and meaning to life

[frank lloyd wright and nature the guggenheim museums and foundation](#) - Feb 17 2022

web wright had a lifelong love and appreciation of nature which informed the guggenheim s design

frank lloyd wright natural design organic architecture - Sep 07 2023

web oct 16 2012 frank lloyd wright natural design organic architecture lessons for building green from an american original photographs by alan weintraub text by alan hess an unsung prophet of today s green movement in architecture frank lloyd wright was an innovator of eco sensitive design generations ahead of his time

organic architecture wikipedia - Mar 01 2023

web organic architecture is a philosophy of architecture which promotes harmony between human habitation and the natural world this is achieved through design approaches that aim to be sympathetic and well integrated with a site so buildings furnishings and surroundings become part of a unified interrelated composition

the 20th century architecture of frank lloyd wright - Dec 30 2022

web jul 7 2019 the qualities of what is known as organic architecture developed by wright including the open plan the blurring between exterior and interior the new uses of materials and technologies and the explicit responses to the suburban and natural settings of the various buildings have been acknowledged as pivotal in the development of modern

beyond frank lloyd wright organic architecture of the new millennium - Aug 26 2022

web beyond frank lloyd wright organic architecture of the new millennium explore the emerging tendency to draw on natural forms in literal ways resulting in sculptural buildings that evoke clouds flowers trees and water hannah feniak

organic design frank lloyd wright trust - Jan 31 2023

web the arts and crafts movement had a profound effect on architects and designers in search of a design vocabulary appropriate for the modern age it provided an impetus to wright s architecture and shaped the work of his progressive

frank lloyd wright natural design organic architecture lessons - Oct 28 2022

web frank lloyd wright natural design organic architecture lessons for building green from an american original 2 reviews authors alan hess alan weintraub summary frank lloyd wright was an innovator of eco sensitive design generations ahead of his time

the natural harmony of organic architecture thoughtco - Apr 02 2023

web nov 19 2019 organic architecture is a term that american architect frank lloyd wright 1867 1959 used to describe his environmentally integrated approach to architectural design

at one with nature the philosophy of organic architecture - Nov 28 2022

web nov 13 2020 in more recent years this notion has expanded to the world of architecture with frank lloyd wright coining the term organic architecture in the early 1900s the idea behind organic architecture is to put human life nature and the built environment on the same level and build a sustainable ecosystem where all components support one

organic architecture frank lloyd wright ken burns pbs - Jun 04 2023

web frank lloyd wright introduced the word organic into his philosophy of architecture as early as 1908 it was an extension of the teachings of his mentor louis sullivan whose slogan form

frank lloyd wright natural design organic architecture lessons - May 23 2022

web oct 16 2012 overview an unsung prophet of today s green movement in architecture frank lloyd wright was an innovator of eco sensitive design generations ahead of his time an architect and designer of far reaching vision it is not surprising that frank lloyd wright anticipated many of the hallmarks of today s green movement

wright organic architecture - Jul 25 2022

web nature nature is an architect s school the creative possibilities of form color pattern texture proportion rhythm and growth are all demonstrated in nature organic architecture does not imitate nature but is concerned with natural materials the site and the people who will occupy the buildings

frank lloyd wright natural design organic architecture - Jul 05 2023

web oct 16 2012 frank lloyd wright natural design organic architecture lessons for building green from an american original rizzoli oct 16 2012 architecture 224 pages an unsung prophet of

frank lloyd wright natural design organic architecture lessons - Aug 06 2023

web oct 16 2012 frank lloyd wright natural design organic architecture lessons for building green from an american original hardcover illustrated october 16 2012 an unsung prophet of today s green movement in architecture frank lloyd wright was an innovator of eco sensitive design generations ahead of his time

frank lloyd wright s organic architecture wisconsin 101 - May 03 2023

web wright s work developed from a tradition often called organic architecture which emphasized pairing traditional elements of modern architecture rationalism and functionalism with a more holistic approach that embraced the spiritual aesthetic and symbolic aspects of architecture 1

energy skate park basics phet activity exercises physics - Nov 10 2021

energy skate park basics conservation of energy kinetic - Jan 25 2023

web erkunden sie die umwandlung und erhaltung von energie mit einem skateboarder verändern sie die form und höhe der bahn und beobachten sie die kinetische

energy skate park activity teachengineering - Nov 22 2022

web sep 8 2019 share 1 5k views 4 years ago pre lab videos the video shows you how to use the html5 version of the colorado phet energy skate park interactive simulation to

energy skate park science flashcards quizlet - May 17 2022

web feb 22 2022 park ve bahçeler müdürlüğünde görevli mimar deniz karakoç skate park projesinin ilçede ilk olduğunu vurgulayarak proje hakkında bilgi verdi kay kay pisti

energy skate park energy conservation of energy - Dec 24 2022

web learn about conservation of energy with a skater gal explore different tracks and view the kinetic energy potential energy and friction as she moves build your own tracks

energy skate park answers new providence school district - Oct 22 2022

web view the skater s kinetic energy potential energy and thermal energy as they move along the track measure the speed and adjust the friction gravity and mass learn about the

energy skate park basics 1 1 30 phet interactive - Jul 31 2023

web play with a skater and learn the basics of energy conservation in this interactive simulation experiment with different tracks friction gravity and mass and see how they affect the

energy skate park conservation of energy kinetic energy - Oct 02 2023

web learn about the conservation of energy at the skate park build tracks ramps and jumps for the skater view the skater s kinetic energy potential energy and thermal energy

energy skate park simulation answers pdf date july 22 - Apr 15 2022

web learn about conservation of energy with a skater gal explore different tracks and view the kinetic energy potential energy and friction as she moves build your own tracks

energy skate park phet interactive simulations - Sep 20 2022

web 1 10 flashcards learn test match q chat maddierowe101 top creator on quizlet terms in this set 10 how can you change the skaters amount of potential energy 1 increase

esenyurt ta bir ilk daha skate park esenyurt belediyesi - Jan 13 2022

energy skate park basics 1 1 21 phet interactive simulations - Mar 27 2023

web masses springs software requirements credits learn about conservation of energy with a skater dude build tracks ramps and jumps for the skater and view the kinetic energy

answers to energy and the skate park google docs - Sep 01 2023

web energy skate park phet interactive simulations

energy skate park prelab youtube - Jul 19 2022

web sep 26 2023 download energy skate park basics 1 1 30 learn more about kinetic potential and thermal energy by placing a skater on several preset or user defined

energy skate park free download windows version - Feb 11 2022

energy skate park phet key phy 495 studocu - May 29 2023

web enerji kaykay parkı phet interactive simulations

enerji kaykay parkı phet interactive simulations - Feb 23 2023

web mar 2 2015 showoff whatyouknow key 1 d both a and c 2 c kinetic energy 3 b pointb

energy skate park basics conservation of energy phet - Aug 20 2022

web jul 22 2020 name prabhnoor kaushal date july 22 2020 physics 11 energy energy skate park simulation open the energy skate park simulation at play with the

energy skate park phet interactive simulations **phet** - Jun 17 2022

web nov 10 2022 description download energy skate park 7 0 550 14 from our software library for free this download was checked by our antivirus and was rated as clean the

energy skate park basics phet interactive simulations - Dec 12 2021

energy skate park phet interactive simulations - Jun 29 2023

web explore the basics of energy at the skate park learn how energy is transferred between kinetic potential and thermal forms as you design and test your own tracks adjust the

energy skate park basics 1 1 0 phet interactive simulations - Apr 27 2023

web description learn about conservation of energy with a skater gal explore different tracks and view the kinetic energy potential energy and friction as she moves build your own

energy skate park basics download review softpedia - Mar 15 2022

web feb 24 2022 download energy skate park basics phet activity and more physics exercises in pdf only on docsity name key energy skate park basics phet activity

mémoires du restaurant histoire illustrée d une invention - Sep 07 2023

web mémoires du restaurant histoire illustrée d une invention française by françois régis gaudry mémoires du restaurant histoire illustrée d une invention française by françois régis gaudry le plus grand quiz de france questions et rponses full text of histoire de la civilisation contemporaine en g ographie db0nus869y26v cloudfront net

ma c moires du restaurant histoire illustra c e d pdf - Nov 28 2022

web ma c moires du restaurant histoire illustra c e d 3 3 un jour pluvieux de 1938 mark duvivier quitte londres pour retrouver sa mère et ses amis d enfance à leith son village natal en Écosse le géographe français de père Écossais par sa

mère et par nature s est réfugié dans une vie où l amour est frivole et le bonheur

ma c moires du restaurant histoire illustra c e d pdf - Mar 21 2022

web 4 ma c moires du restaurant histoire illustra c e d 2022 11 30 advanced undergraduates and graduate students in computer science based on feedback from extensive classroom experience the book has been carefully structured in order to make teaching more natural and effective slides and additional exercises with solutions for

karikatür ve mizah müzesi vikipedi - Jul 25 2022

web karikatür ve mizah merkezi İstanbul un beyoğlu ilçesinde bulunmaktadır İlk olarak 1975 yılında karikatürcüler derneğinin girişimi ile İstanbul belediyesi tarafından tepebaşı semti nde açıldı ancak 12 eylül 1980 tarihinde kapatıldı daha sonra bu binanın yıkılması ile müze de tamamen kapanmış oldu 27 Şubat 1989 tarihinde İstanbul büyükşehir

karikatür ve mizah müzesi İstanbul müzeleri istanbul net tr - May 23 2022

web jun 1 2012 karikatür ve mizah müzesi Çatma mescit mah refik saydam cad tali sokak kasımpaşa stadı üstü tepebaşı gülmenin tarihi müze ilk olarak 1975 yılında karikatürcüler derneğinin girişimi ile İstanbul belediyesi tarafından tepebaşı nda açıldı ancak 12 eylül 1980 tarihinde kapatıldı daha s istanbul net tr İstanbul Şehir rehberi

İzmir karikatür müzesi - Jun 23 2022

web karikatürist prof dr atila Özer tarafından 2004 te açılan atila Özer karikatür evi ve anadolu Üniversitesi ne bağlı olarak kurulan eğitim karikatürleri müzesi ile son olarak 2011 yılında konak belediyesi tarafından İzmir neşe ve karikatür müzesi açılmıştır dünyaca ünlü karikatüristlerimizden güngör

ma c moires du restaurant histoire illustra c e d pdf - Oct 08 2023

web ma c moires du restaurant histoire illustra c e d 3 3 dépression avec une écriture en vrilte lancinante au fond de soi roman d amour en même temps d amours croisées mais fidèles au fond et qui remontent de la mémoire sans qu on puisse échapper à

ma c moires du restaurant histoire illustra c e d download - Feb 17 2022

web ma c moires du restaurant histoire illustra c e d bulletin de lyon 1826 proceedings of the royal society of canada a century of artists books ma c moires du restaurant histoire illustra c e d downloaded from renewalcc com by guest nathaniel rhys bulletin de lyon 1826 Éditions la courte échelle

ma c moires du restaurant histoire illustra c e d pdf - Jun 04 2023

web all we come up with the money for ma c moires du restaurant histoire illustra c e d and numerous book collections from fictions to scientific research in any way in the course of them is this ma c moires du restaurant histoire illustra c e d that can be your partner the new york times book review 1968 grand dictionnaire universel du xixe

ma c moires du restaurant histoire illustra c e d download - Dec 30 2022

web ma c moires du restaurant histoire illustra c e d downloaded from vpn bethnalgreenventures com camille holt the catering industry employee oxford university press chil dren paru en 1991 ce roman connut un succès d estime et mérite sans doute plus encore il pourrait rester comme le roman d une

İstanbul yemekleri İstanbul da ne yenir ve neyi meşhur İstanbul - Apr 21 2022

web aug 29 2023 İstanbul yemekleri İstanbul da ne yenir ve neyi meşhur İstanbul mutfağı yemeklerinin isimleri ve listesi

ma c moires du restaurant histoire illustra c e d john porter - Sep 26 2022

web feb 28 2023 sharpness of this ma c moires du restaurant histoire illustra c e d can be taken as with ease as picked to act the story of the bronx from the purchase made by the dutch from the indians in 1639 to the present day stephen jenkins 1912 the book of detroiters albert nelson marquis 1914 mouneh barbara abdeni massaad 2018 06

ma c moires du restaurant histoire illustra c e d david a - Aug 06 2023

web subsequently this one merely said the ma c moires du restaurant histoire illustra c e d is universally compatible when any devices to read corcoran gallery of art corcoran gallery of art 2011 this authoritative catalogue of the corcoran gallery of art s renowned collection of pre 1945 american paintings

ma c moires du restaurant histoire illustra c e d pdf - Jul 05 2023

web ma c moires du restaurant histoire illustra c e d 1 7 downloaded from uniport edu ng on march 16 2023 by guest ma c moires du restaurant histoire illustra c e d is nearby in our digital library an online access to it is set as public appropriately you can download it instantly our digital library saves in merged countries allowing you to

ma c moires du restaurant histoire illustra c e d monograf - Oct 28 2022

web ma c moires du restaurant histoire illustra c e d recognizing the pretension ways to acquire this books ma c moires du restaurant histoire illustra c e d is additionally useful you have remained in right site to begin getting this info get the ma c moires du restaurant histoire illustra c e d associate that we meet the expense of here and

[türkiyenin meşhur yemekleri ingilizce anlatımı eodev com](#) - Aug 26 2022

web apr 25 2018 turkey has a diversity of regions and ethnicities as a result it s food culture varies greatly depending on where you are in aegean provinces for example the diet is more plant based people enjoy mezes that they exclusively prepare with olive oil legumes and nutritious plants as well as vegetables sun dried food is also enjoyed in winter months

ma c moires du restaurant histoire illustra c e d full pdf - Jan 31 2023

web ma c moires du restaurant histoire illustra c e d a visual history of cookery mar 14 2020 visual history of cookery is a stunning look at food and its visual representations throughout time exploring the historical progression of cookery the global food journey the development of food

ma c moires du restaurant histoire illustra c e d pdf eldridge m - Apr 02 2023

web jun 13 2023 kindly say the ma c moires du restaurant histoire illustra c e d pdf is universally compatible with any devices to read mouneh barbara abdeni massaad 2018 07 01 preserving food and culture the lebanese way the very best memories connecting us to time and place are often stimulated by the tastes and smells

ma c moires du restaurant histoire illustra c e d pdf pdf - May 03 2023

web the invention of the restaurant rebecca l spang 2001 11 30 during the 1760s and 1770s those who were sensitive and supposedly suffering made public show of their delicacy by going to the new establishments known as restaurateurs rooms and sipping their bouillons there however the restaurants that had begun as purveyors of health food

ma c moires du restaurant histoire illustra c e d pdf pdf - Mar 01 2023

web moires du restaurant histoire illustra c e d can be taken as with ease as picked to act the story of the bronx from the purchase made by the dutch from the indians in 1639 to the present day stephen jenkins web ma c moires du restaurant histoire illustra c e d if you ally dependence such a referred ma c moires