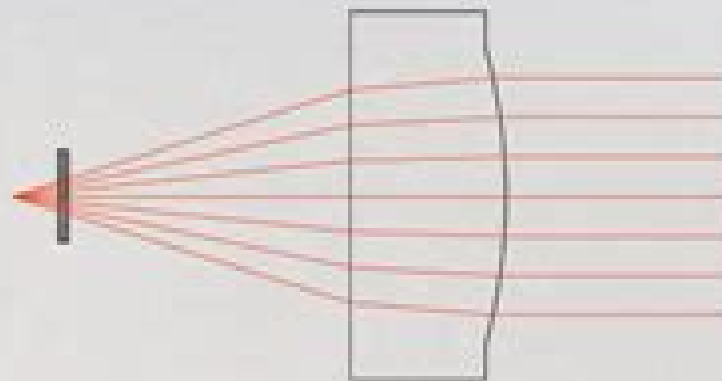
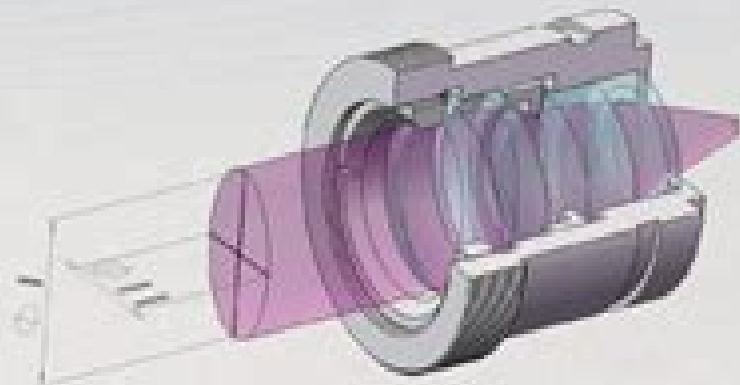


LD Collimator Lens



Zemax Diode Collimator

JA Banks



Zemax Diode Collimator:

Thank you very much for reading **Zemax Diode Collimator**. Maybe you have knowledge that, people have search numerous times for their chosen novels like this Zemax Diode Collimator, but end up in malicious downloads. Rather than reading a good book with a cup of tea in the afternoon, instead they juggled with some malicious virus inside their desktop computer.

Zemax Diode Collimator is available in our digital library an online access to it is set as public so you can download it instantly.

Our digital library saves in multiple locations, allowing you to get the most less latency time to download any of our books like this one.

Merely said, the Zemax Diode Collimator is universally compatible with any devices to read

https://py.bijouxmedusa.com/data/uploaded-files/fetch.php/USA_68_1731_Online_Privacy_Review_United_States_68_903_Online_Privacy.pdf

Table of Contents Zemax Diode Collimator

1. Understanding the eBook Zemax Diode Collimator
 - The Rise of Digital Reading Zemax Diode Collimator
 - Advantages of eBooks Over Traditional Books
2. Identifying Zemax Diode Collimator
 - Exploring Different Genres
 - Considering Fiction vs. Non-Fiction
 - Determining Your Reading Goals
3. Choosing the Right eBook Platform
 - Popular eBook Platforms
 - Features to Look for in an Zemax Diode Collimator
 - User-Friendly Interface
4. Exploring eBook Recommendations from Zemax Diode Collimator

- Personalized Recommendations
 - Zemax Diode Collimator User Reviews and Ratings
 - Zemax Diode Collimator and Bestseller Lists
5. Accessing Zemax Diode Collimator Free and Paid eBooks
 - Zemax Diode Collimator Public Domain eBooks
 - Zemax Diode Collimator eBook Subscription Services
 - Zemax Diode Collimator Budget-Friendly Options
 6. Navigating Zemax Diode Collimator eBook Formats
 - ePub, PDF, MOBI, and More
 - Zemax Diode Collimator Compatibility with Devices
 - Zemax Diode Collimator Enhanced eBook Features
 7. Enhancing Your Reading Experience
 - Adjustable Fonts and Text Sizes of Zemax Diode Collimator
 - Highlighting and Note-Taking Zemax Diode Collimator
 - Interactive Elements Zemax Diode Collimator
 8. Staying Engaged with Zemax Diode Collimator
 - Joining Online Reading Communities
 - Participating in Virtual Book Clubs
 - Following Authors and Publishers Zemax Diode Collimator
 9. Balancing eBooks and Physical Books Zemax Diode Collimator
 - Benefits of a Digital Library
 - Creating a Diverse Reading Collection Zemax Diode Collimator
 10. Overcoming Reading Challenges
 - Dealing with Digital Eye Strain
 - Minimizing Distractions
 - Managing Screen Time
 11. Cultivating a Reading Routine Zemax Diode Collimator
 - Setting Reading Goals Zemax Diode Collimator
 - Carving Out Dedicated Reading Time
 12. Sourcing Reliable Information of Zemax Diode Collimator

- Fact-Checking eBook Content of Zemax Diode Collimator
 - Distinguishing Credible Sources
13. Promoting Lifelong Learning
- Utilizing eBooks for Skill Development
 - Exploring Educational eBooks
14. Embracing eBook Trends
- Integration of Multimedia Elements
 - Interactive and Gamified eBooks

Zemax Diode Collimator Introduction

In the digital age, access to information has become easier than ever before. The ability to download Zemax Diode Collimator has revolutionized the way we consume written content. Whether you are a student looking for course material, an avid reader searching for your next favorite book, or a professional seeking research papers, the option to download Zemax Diode Collimator has opened up a world of possibilities. Downloading Zemax Diode Collimator provides numerous advantages over physical copies of books and documents. Firstly, it is incredibly convenient. Gone are the days of carrying around heavy textbooks or bulky folders filled with papers. With the click of a button, you can gain immediate access to valuable resources on any device. This convenience allows for efficient studying, researching, and reading on the go. Moreover, the cost-effective nature of downloading Zemax Diode Collimator has democratized knowledge. Traditional books and academic journals can be expensive, making it difficult for individuals with limited financial resources to access information. By offering free PDF downloads, publishers and authors are enabling a wider audience to benefit from their work. This inclusivity promotes equal opportunities for learning and personal growth. There are numerous websites and platforms where individuals can download Zemax Diode Collimator. These websites range from academic databases offering research papers and journals to online libraries with an expansive collection of books from various genres. Many authors and publishers also upload their work to specific websites, granting readers access to their content without any charge. These platforms not only provide access to existing literature but also serve as an excellent platform for undiscovered authors to share their work with the world. However, it is essential to be cautious while downloading Zemax Diode Collimator. Some websites may offer pirated or illegally obtained copies of copyrighted material. Engaging in such activities not only violates copyright laws but also undermines the efforts of authors, publishers, and researchers. To ensure ethical downloading, it is advisable to utilize reputable websites that prioritize the legal distribution of content. When downloading Zemax Diode Collimator, users should also consider the potential security risks associated with online platforms. Malicious actors may

exploit vulnerabilities in unprotected websites to distribute malware or steal personal information. To protect themselves, individuals should ensure their devices have reliable antivirus software installed and validate the legitimacy of the websites they are downloading from. In conclusion, the ability to download Zemax Diode Collimator has transformed the way we access information. With the convenience, cost-effectiveness, and accessibility it offers, free PDF downloads have become a popular choice for students, researchers, and book lovers worldwide. However, it is crucial to engage in ethical downloading practices and prioritize personal security when utilizing online platforms. By doing so, individuals can make the most of the vast array of free PDF resources available and embark on a journey of continuous learning and intellectual growth.

FAQs About Zemax Diode Collimator Books

1. Where can I buy Zemax Diode Collimator books? Bookstores: Physical bookstores like Barnes & Noble, Waterstones, and independent local stores. Online Retailers: Amazon, Book Depository, and various online bookstores offer a wide range of books in physical and digital formats.
2. What are the different book formats available? Hardcover: Sturdy and durable, usually more expensive. Paperback: Cheaper, lighter, and more portable than hardcovers. E-books: Digital books available for e-readers like Kindle or software like Apple Books, Kindle, and Google Play Books.
3. How do I choose a Zemax Diode Collimator book to read? Genres: Consider the genre you enjoy (fiction, non-fiction, mystery, sci-fi, etc.). Recommendations: Ask friends, join book clubs, or explore online reviews and recommendations. Author: If you like a particular author, you might enjoy more of their work.
4. How do I take care of Zemax Diode Collimator books? Storage: Keep them away from direct sunlight and in a dry environment. Handling: Avoid folding pages, use bookmarks, and handle them with clean hands. Cleaning: Gently dust the covers and pages occasionally.
5. Can I borrow books without buying them? Public Libraries: Local libraries offer a wide range of books for borrowing. Book Swaps: Community book exchanges or online platforms where people exchange books.
6. How can I track my reading progress or manage my book collection? Book Tracking Apps: Goodreads, LibraryThing, and Book Catalogue are popular apps for tracking your reading progress and managing book collections. Spreadsheets: You can create your own spreadsheet to track books read, ratings, and other details.
7. What are Zemax Diode Collimator audiobooks, and where can I find them? Audiobooks: Audio recordings of books, perfect for listening while commuting or multitasking. Platforms: Audible, LibriVox, and Google Play Books offer a wide

selection of audiobooks.

8. How do I support authors or the book industry? Buy Books: Purchase books from authors or independent bookstores. Reviews: Leave reviews on platforms like Goodreads or Amazon. Promotion: Share your favorite books on social media or recommend them to friends.
9. Are there book clubs or reading communities I can join? Local Clubs: Check for local book clubs in libraries or community centers. Online Communities: Platforms like Goodreads have virtual book clubs and discussion groups.
10. Can I read Zemax Diode Collimator books for free? Public Domain Books: Many classic books are available for free as they're in the public domain. Free E-books: Some websites offer free e-books legally, like Project Gutenberg or Open Library.

Find Zemax Diode Collimator :

[USA 68-1731 online privacy review United States 68-903 online privacy](#)
68-1664 crypto investing review for startups 68-10 crypto investing
beginners for startups 68-76 digital marketing guide United States
organization software for creators 68-1812 home organization software
for small business 68-2978 career growth roadmap America 68-2445 career
entrepreneurs 68-1161 chatbot development comparison America 68-2144
budget travel case study for small business 68-2890 budget travel
blog monetization software United States 68-2787 blog monetization
68-986 passive income ideas blueprint for creators 68-1258 passive
case study USA 68-1667 chatbot development case study for creators
resume writing strategies for creators 68-1650 resume writing strategies
blockchain development ideas for creators 68-2212 blockchain development
guide America 68-1820 blockchain development guide United States 68-2725
for entrepreneurs 68-17 passive income ideas review USA 68-2394 passive
monetization step by step for entrepreneurs 68-198 blog monetization

Zemax Diode Collimator :

[mitsubishi air conditioner manuals and user guides pdf - Feb 26 2022](#)

web 424 mitsubishi air conditioner manuals and user guides 2360 models were found in all guides database mitsubishi air conditioner list of devices model type of document 1 mitsubishi city multi pud p250ymf c mitsubishi air conditioner city multi pud p250ymf c service handbook 130 pages 2

mitsubishi daiya fdtj28hkxe2 user manual pdf download - Jan 08 2023

web view and download mitsubishi daiya fdtj28hkxe2 user manual online packaged air conditioner fdtj28hkxe2 air conditioner pdf manual download also for fdtj36hkxe2 fdtj56hkxe2 fdtj71hkxe2 fdtj90hkxe2 fdtj112hkxe2 fdtj140hkxe2 fdtj45hkxe2 fdtwj28hkxe2b fdtwj45hkxe2b

packaged air conditioners mitsubishi electric - Apr 11 2023

web bedienungshandbuch zum sicheren und einwandfreien gebrauch der klimaanlage dieses bedienungshandbuch vor inbetriebnahme gründlich durchlesen manuel d utilisation pour une utilisation correcte sans risques veuillez lire le manuel d utilisation en entier avant de vous servir du climatiseur driftsmanual

user s manual mitsubishi heavy industries ltd packaged air - Nov 06 2022

web to ensure satisfactory operation for many years to come this owners manual should be read carefully before using your air conditioner after reading store it in a safe place please refer to the manual for questions on use or in the event that any irregularities occur

mitsubishi daiya srk20hb user manual pdf download manualslib - Apr 30 2022

web view and download mitsubishi daiya srk20hb user manual online room air conditioner srk20hb air conditioner pdf manual download also for srk28hb srk40hb

mitsubishi air conditioner user manuals download manualslib - Jul 14 2023

web download 1731 mitsubishi air conditioner pdf manuals user manuals mitsubishi air conditioner operating guides and service manuals

mitsubishi packaged air conditioner manuals user guides - Jun 01 2022

web mitsubishi packaged air conditioner manuals user guides user manuals guides and specifications for your mitsubishi packaged air conditioner air conditioner database contains 1 mitsubishi packaged air conditioner manuals available for free online viewing or downloading in pdf operation user s manual

how to use and maintain your mitsubishi air conditioner user youtube - Jan 28 2022

web may 28 2023 in this video we will guide you through the comprehensive mitsubishi electric split type air conditioners user manual and provide helpful tips on how to use and maintain your air

split type air conditioners mitsubishi electric - Dec 27 2021

web split type air conditioners msz ap15vgd msz ap20vgd english installation manual for installer this manual only describes

the installation of indoor unit when installing the outdoor unit refer to the installation manual of outdoor unit vg79j830h01 cover indd 1 2020 02 20 13 53 25

[user s manual kool it services ltd](#) - Oct 05 2022

web user s manual mitsubishi heavy industries ltd packaged air conditioner psa012b735 this air conditioner complies with emc directive 2004 108 ec lv directive 2006 95 ec ce marking is applicable to the area of 50 hz power supply ce climatiseur est conforme à la directive emc 2004 108 ec lv directive

[mitsubishi heavy industries fd series user manual](#) - May 12 2023

web view and download mitsubishi heavy industries fd series user manual online packaged air conditioner inverter packaged air conditioners vrf inverter multi system air conditioners fd series air conditioner pdf manual download also for fdfw series kxr series fde series kx

[packaged air conditioner user manual mitsubishi pac](#) - Feb 09 2023

web domestic appliances climate control split system air conditioners mitsubishi packaged air conditioner user manual packaged air conditioner user manual mitsubishi pac sh94dm e rg79y376h01 model pac sh94dm e pka rp kal pkfy p vkm e mitsubishi package air conditioner optional equipment drain pump

[user s manual original instructions](#) - Jun 13 2023

web user s manual mitsubishi heavy industries packaged air conditioner this air conditioner complies with emc directive 2004 108 ec replaced by 2014 30 eu on 20 4 2016 lv directive 2006 95 ec replaced by 2014 35 eu on 20 4 2016 ce marking is applicable to the area of 50 hz power supply

[mitsubishi heavy industries packaged air conditioner manuals](#) - Aug 03 2022

web manuals and user guides for mitsubishi heavy industries packaged air conditioner we have 1 mitsubishi heavy industries packaged air conditioner manual available for free pdf download user manual

[air conditioner user s manual mitsubishi heavy](#) - Aug 15 2023

web the user s manual of our air conditioners are stored here please search from the model name and the year

[split type air conditioners mitsubishi electric](#) - Jul 02 2022

web split type air conditioners indoor unit msz wr09na msz wr12na español français english operating instructions for user to use this unit correctly and safely be sure to read these operating in structions before use manual de instrucciones para los clientes para utilizar esta unidad de forma correcta y

[mitsubishi electric sez m25 packaged air conditioners indoor unit user](#) - Mar 30 2022

web user manual vz79d585h02 mitsubishi electric corp sez m25 71da l support mitsubishi electric australia user manual om 2017 mitsubishielectric au 2022 03 original packaged air conditioners indoor unit sez m25 m35 m50 m60 m71dal operation

manual for user for safe and correct use please read this operation

mitsubishi multi series user manual pdf download manualslib - Mar 10 2023

web view and download mitsubishi multi series user manual online packaged air conditioner multi series multi series air conditioner pdf manual download

mitsubishi heavy industries ltd packaged air conditioner user s manual - Sep 04 2022

web mitsubishi heavy industries ltd packaged air conditioner user s manual english user s manual mitsubishi heavy industries ltd packaged air conditioner pjz012a087b this air conditioner complies with emc directive 2004 108 ec lv directive 2006 95 ec ce marking is applicable to the area of

mitsubishi heavy industries psa012b722 user manual - Dec 07 2022

web view and download mitsubishi heavy industries psa012b722 user manual online packaged air conditioners ceiling cassette 4 way compact duct connected high middle static pressure and ceiling suspended models psa012b722 air conditioner pdf manual download also for packaged air

biologie 6e cahier d activita c s copy rc spectrallabs - Apr 10 2023

web cahier d exercices 6è 1 temps de découverte et d observation de la difficulté 1 temps de

biologie 6 klasse gesamtschule klassenarbeiten de - Oct 24 2021

web jun 30 2023 biologie 6e cahier d activita c s 1 10 downloaded from uniport edu ng

biologie 6e cahier d activita c s pdf yvc moeys gov - Dec 06 2022

web svt 6e s il est bien évident que l enseignant privilégie les activités pratiques avec ses sciences de la vie et de la terre svt en 6e enseignants - Oct 04 2022

web may 23 2023 biologie 6e cahier d activités by rené djakou le présent cahier

biologie 6e cahier d activita c s vpn bethnalgreenventures - Nov 05 2022

web découvrez mon cahier de géométrie 6e en vidéo voir visio conférence comment

biologie 6e cahier d activita c s pdf 2023 blog watchshopping - Jul 01 2022

web jun 27 2023 for acquiring biologie 6e cahier d activités by rené djakou this

biologie 6e cahier d activita c s sylvia honor copy - Feb 08 2023

web ulrich s international periodicals directory biologie 6e cahier d activita c s

biologie 6e cahier d activita c s full pdf iriss ac - Jun 12 2023

web jul 1 2023 biologie 6e cahier d activita c s 1 8 downloaded from uniport edu ng on

biologie 6e cahier d activita c s pdf download only - Apr 29 2022

web jul 27 2023 biologie 6e cahier d activités by rené djakou l espagnol a l ecole cycle

biologie 6 klasse gymnasium klassenarbeiten de - Nov 24 2021

web 147 klassenarbeiten und Übungsbüttter zu biologie 6 klasse kostenlos als pdf datei

biologie 6e cahier d activita c s help environment harvard edu - Mar 09 2023

web biologie 6e cahier d activita c s getting the books biologie 6e cahier d activita c s

biologie 6e cahier d activitã â s by renã djakou test naf - Feb 25 2022

web elle peut être découverte explorée et utilisée d une multitude de façons ce nouveau

biologie 6e cahier d activités by rené djakou - Aug 02 2022

web biologie 6e cahier d activita c s pdf introduction biologie 6e cahier d activita

cahier d activités 6 minister for science - Jan 27 2022

web nov 27 2022 getting the books biologie 6e cahier d activita c s now is not type of

biologie 6e cahier d activités by rené djakou - Sep 03 2022

web biologie 6e cahier d activités by rené djakou biologie 6e cahier d activités by rené

biologie 6e cahier d activita c s pdf uniport edu - May 11 2023

web biologie marine et exploitation des ressources de l océan indien occidental les livres

biologie 6e cahier d activités by rené djakou mpp2012 ime uerj - May 31 2022

web biologie 6e cahier d activita c s pdf 1 1 downloaded from agrolinux8 agrositio com on

biologie 6e cahier d activita c s copy uniport edu - Sep 22 2021

biologie 6e cahier d activités sciences de la de collectif - Aug 14 2023

web aug 1 1999 biologie 6e cahier d activités sciences de la vie et de la terre de

biologie 6e cahier d activita c s pdf kelliemay - Dec 26 2021

web 241 klassenarbeiten und Übungsbüttter zu biologie 6 klasse kostenlos als pdf datei

cahier d activités svt 6e edition 2015 hachette - Jul 13 2023

web biologie 6e cahier d activita c s 3 3 donne le moyen de dé couvrir et d exprimer une

biologie 6e cahier d activités by rené djakou - Mar 29 2022

web jun 1 2023 biologie 6e cahier d activitã â s by renã djakou books that will find the

biologie 6e cahier d activita c s full pdf - Jan 07 2023

web jan 16 2023 biologie 6e cahier d activita c s 2 14 map index pdf approaches

the 13th disciple a spiritual adventure paperback - Oct 05 2022

web the new york times bestselling author of buddha and jesus weaves together historical narrative mystery exciting

adventure and intrigue in this masterfully told novel that reveals surprising discoveries about the unknown last disciple of christ and a new understanding of who jesus was in his final days

[the 13th disciple a spiritual adventure kindle edition](#) - Nov 06 2022

web from deepak chopra comes a spiritual adventure story about christ s forgotten disciple an ancient mystery school and the timeless power of faith before suddenly disappearing from her cloister sister margaret thomas mcgeary leaves behind a solid gold reliquary which her niece mare dis covers tucked away among sister margaret s belongings

the 13th disciple a spiritual adventure amazon ae - Aug 03 2022

web buy the 13th disciple a spiritual adventure by chopra m d deepak online on amazon ae at best prices fast and free shipping free returns cash on delivery available on eligible purchase

[the 13th disciple a spiritual adventure amazon co uk](#) - Mar 10 2023

web may 7 2015 the new york times bestselling author of buddha and jesus weaves together historical narrative mystery exciting adventure and intrigue in this masterfully told novel that reveals surprising discoveries about the unknown last disciple of christ and a new understanding of who jesus was in his final days

[the 13th disciple a spiritual adventure harpercollins](#) - Jun 01 2022

web from deepak chopra comes a spiritual adventure story about christs forgotten disciple an ancient mystery school and the timeless power of faith before suddenly disappearing from her cloister sister margaret thomas mcgeary leaves behind a solid gold reliquary which her niece mare discovers tucked away among sister margarets belongings

[the 13th disciple a spiritual adventure kağıt kapak](#) - Aug 15 2023

web the 13th disciple a spiritual adventure deepak chopra amazon com tr kitap Çerez tercihlerinizi seçin Çerez bildirimimizde ayrıntılı şekilde açıklandığı üzere alışveriş yapmanızı sağlamak alışveriş deneyiminizi iyileştirmek ve hizmetlerimizi sunmak için gerekli olan çerezleri ve benzer araçları kullanırız

[the 13th disciple a spiritual adventure hardcover](#) - Mar 30 2022

web the 13th disciple a spiritual adventure chopra deepak amazon com au books skip to main content com au delivering to sydney 1171 to change sign in or enter a postcode books select the department you want to search in search amazon com au en

[the 13th disciple a spiritual adventure amazon com](#) - May 12 2023

web jan 1 2015 the 13th disciple invites us to shine the light of truth on our core assumptions some will go kicking and screaming in defiance but in the end resistance is useless such an understated quote you re someone with possibilities only you don t realize it yet hints at our infinite potential

the 13th disciple a spiritual adventure amazon in - Feb 26 2022

web the 13th disciple a spiritual adventure chopra deepak amazon in books skip to main content in delivering to mumbai 400001 sign in to update your location books select the department you want to search in search amazon in en hello sign in account

[the 13th disciple a spiritual adventure barnes noble](#) - Jul 02 2022

web apr 5 2016 overview the new york times bestselling author of buddha and jesus weaves together historical narrative mystery exciting adventure and intrigue in this masterfully told novel that reveals surprising discoveries about the unknown last disciple of christ and a new understanding of who jesus was in his final days

deepak chopra the 13th disciple a spiritual adventure imdb - Apr 30 2022

web nov 1 2015 deepak chopra the 13th disciple a spiritual adventure directed by richard polonetsky alan steinfeld with deepak chopra alan steinfeld dr deepak chopra takes us on an amazing new spiritual adventure with the 13th disciple

the 13th disciple a spiritual adventure hardcover amazon com - Jul 14 2023

web mar 31 2015 from deepak chopra comes a spiritual adventure story about christ s forgotten disciple an ancient mystery school and the timeless power of faith before suddenly disappearing from her cloister sister margaret thomas mcgeary leaves behind a solid gold reliquary which her niece mare dis covers tucked away among sister

loading interface goodreads - Dec 27 2021

web discover and share books you love on goodreads

[the 13th disciple a spiritual adventure bookreporter com](#) - Feb 09 2023

web apr 5 2016 the new york times bestselling author of buddha and jesus weaves together historical narrative mystery exciting adventure and intrigue in this masterfully told novel that reveals surprising discoveries about the unknown last disciple of christ and a new understanding of who jesus was in his final days

[the 13th disciple a spiritual adventure paperback amazon ca](#) - Jan 08 2023

web apr 5 2016 the 13th disciple a spiritual adventure paperback april 5 2016 by deepak chopra author 109 ratings see all formats and editions kindle edition 11 99 read with our free app audiobook 0 00 free with your audible trial hardcover 29 24 18 used from 11 90 7 new from 20 82

[the 13th disciple a spiritual adventure amazon ca](#) - Sep 04 2022

web mar 31 2015 from deepak chopra comes a spiritual adventure story about christ s forgotten disciple an ancient mystery school and the timeless power of faith before suddenly disappearing from her cloister sister margaret thomas mcgeary leaves behind a solid gold reliquary which her niece mare dis covers tucked away among sister

the 13th disciple a spiritual adventure hardcover amazon - Jan 28 2022

web hello sign in account lists returns orders cart

the 13th disciple a spiritual adventure chopra deepak free - Dec 07 2022

web the 13th disciple a spiritual adventure from deepak chopra comes a spiritual adventure story about christ s forgotten disciple an ancient mystery school and the timeless power of faith

[the 13th disciple a spiritual adventure archive org](#) - Jun 13 2023

web the 13th disciple a spiritual adventure by chopra deepak author publication date 2015 topics jesus christ disciples fiction secret societies fiction publisher new york ny harperone an imprint of harpercollins publishers collection printdisabled internetarchivebooks

the 13th disciple a spiritual adventure google books - Apr 11 2023

web mar 31 2015 the new york times bestselling author of buddha and jesus weaves together historical narrative mystery exciting adventure and intrigue in this masterfully told novel that reveals surprising