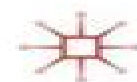
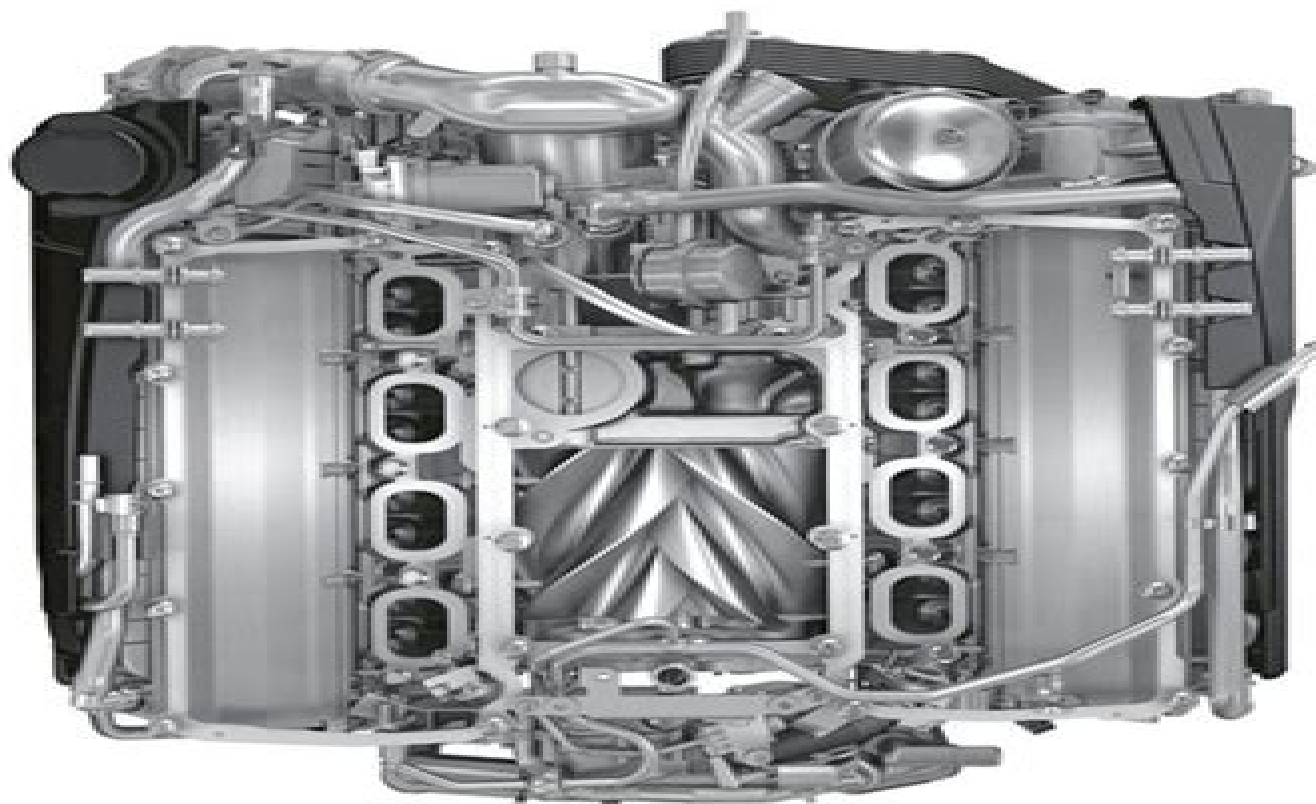


# INTRODUCTION TO INTERNAL COMBUSTION ENGINES

**RICHARD STONE**

4th Edition



# Introduction To Internal Combustion Engine Richard Stone

**Michael Rajnik**



**Introduction To Internal Combustion Engine Richard Stone:**

Recognizing the exaggeration ways to acquire this books **Introduction To Internal Combustion Engine Richard Stone** is additionally useful. You have remained in right site to start getting this info. get the Introduction To Internal Combustion Engine Richard Stone member that we have enough money here and check out the link.

You could buy lead Introduction To Internal Combustion Engine Richard Stone or acquire it as soon as feasible. You could speedily download this Introduction To Internal Combustion Engine Richard Stone after getting deal. So, as soon as you require the book swiftly, you can straight get it. Its for that reason entirely simple and consequently fats, isnt it? You have to favor to in this look

<https://py.bijouxmedusa.com/book/Resources/index.jsp/Roadmap%20United%20States%2082%202008%20Productivity%20Hacks%20Step%20By%20Step%20USA%2082%2073.pdf>

## **Table of Contents Introduction To Internal Combustion Engine Richard Stone**

1. Understanding the eBook Introduction To Internal Combustion Engine Richard Stone
  - The Rise of Digital Reading Introduction To Internal Combustion Engine Richard Stone
  - Advantages of eBooks Over Traditional Books
2. Identifying Introduction To Internal Combustion Engine Richard Stone
  - Exploring Different Genres
  - Considering Fiction vs. Non-Fiction
  - Determining Your Reading Goals
3. Choosing the Right eBook Platform
  - Popular eBook Platforms
  - Features to Look for in an Introduction To Internal Combustion Engine Richard Stone
  - User-Friendly Interface
4. Exploring eBook Recommendations from Introduction To Internal Combustion Engine Richard Stone
  - Personalized Recommendations
  - Introduction To Internal Combustion Engine Richard Stone User Reviews and Ratings

- Introduction To Internal Combustion Engine Richard Stone and Bestseller Lists
- 5. Accessing Introduction To Internal Combustion Engine Richard Stone Free and Paid eBooks
  - Introduction To Internal Combustion Engine Richard Stone Public Domain eBooks
  - Introduction To Internal Combustion Engine Richard Stone eBook Subscription Services
  - Introduction To Internal Combustion Engine Richard Stone Budget-Friendly Options
- 6. Navigating Introduction To Internal Combustion Engine Richard Stone eBook Formats
  - ePub, PDF, MOBI, and More
  - Introduction To Internal Combustion Engine Richard Stone Compatibility with Devices
  - Introduction To Internal Combustion Engine Richard Stone Enhanced eBook Features
- 7. Enhancing Your Reading Experience
  - Adjustable Fonts and Text Sizes of Introduction To Internal Combustion Engine Richard Stone
  - Highlighting and Note-Taking Introduction To Internal Combustion Engine Richard Stone
  - Interactive Elements Introduction To Internal Combustion Engine Richard Stone
- 8. Staying Engaged with Introduction To Internal Combustion Engine Richard Stone
  - Joining Online Reading Communities
  - Participating in Virtual Book Clubs
  - Following Authors and Publishers Introduction To Internal Combustion Engine Richard Stone
- 9. Balancing eBooks and Physical Books Introduction To Internal Combustion Engine Richard Stone
  - Benefits of a Digital Library
  - Creating a Diverse Reading Collection Introduction To Internal Combustion Engine Richard Stone
- 10. Overcoming Reading Challenges
  - Dealing with Digital Eye Strain
  - Minimizing Distractions
  - Managing Screen Time
- 11. Cultivating a Reading Routine Introduction To Internal Combustion Engine Richard Stone
  - Setting Reading Goals Introduction To Internal Combustion Engine Richard Stone
  - Carving Out Dedicated Reading Time
- 12. Sourcing Reliable Information of Introduction To Internal Combustion Engine Richard Stone
  - Fact-Checking eBook Content of Introduction To Internal Combustion Engine Richard Stone
  - Distinguishing Credible Sources

13. Promoting Lifelong Learning
  - Utilizing eBooks for Skill Development
  - Exploring Educational eBooks
14. Embracing eBook Trends
  - Integration of Multimedia Elements
  - Interactive and Gamified eBooks

### **Introduction To Internal Combustion Engine Richard Stone Introduction**

Free PDF Books and Manuals for Download: Unlocking Knowledge at Your Fingertips In today's fast-paced digital age, obtaining valuable knowledge has become easier than ever. Thanks to the internet, a vast array of books and manuals are now available for free download in PDF format. Whether you are a student, professional, or simply an avid reader, this treasure trove of downloadable resources offers a wealth of information, conveniently accessible anytime, anywhere. The advent of online libraries and platforms dedicated to sharing knowledge has revolutionized the way we consume information. No longer confined to physical libraries or bookstores, readers can now access an extensive collection of digital books and manuals with just a few clicks. These resources, available in PDF, Microsoft Word, and PowerPoint formats, cater to a wide range of interests, including literature, technology, science, history, and much more. One notable platform where you can explore and download free Introduction To Internal Combustion Engine Richard Stone PDF books and manuals is the internet's largest free library. Hosted online, this catalog compiles a vast assortment of documents, making it a veritable goldmine of knowledge. With its easy-to-use website interface and customizable PDF generator, this platform offers a user-friendly experience, allowing individuals to effortlessly navigate and access the information they seek. The availability of free PDF books and manuals on this platform demonstrates its commitment to democratizing education and empowering individuals with the tools needed to succeed in their chosen fields. It allows anyone, regardless of their background or financial limitations, to expand their horizons and gain insights from experts in various disciplines. One of the most significant advantages of downloading PDF books and manuals lies in their portability. Unlike physical copies, digital books can be stored and carried on a single device, such as a tablet or smartphone, saving valuable space and weight. This convenience makes it possible for readers to have their entire library at their fingertips, whether they are commuting, traveling, or simply enjoying a lazy afternoon at home. Additionally, digital files are easily searchable, enabling readers to locate specific information within seconds. With a few keystrokes, users can search for keywords, topics, or phrases, making research and finding relevant information a breeze. This efficiency saves time and effort, streamlining the learning process and allowing individuals to focus on extracting the information they need. Furthermore, the availability of free PDF books

and manuals fosters a culture of continuous learning. By removing financial barriers, more people can access educational resources and pursue lifelong learning, contributing to personal growth and professional development. This democratization of knowledge promotes intellectual curiosity and empowers individuals to become lifelong learners, promoting progress and innovation in various fields. It is worth noting that while accessing free Introduction To Internal Combustion Engine Richard Stone PDF books and manuals is convenient and cost-effective, it is vital to respect copyright laws and intellectual property rights. Platforms offering free downloads often operate within legal boundaries, ensuring that the materials they provide are either in the public domain or authorized for distribution. By adhering to copyright laws, users can enjoy the benefits of free access to knowledge while supporting the authors and publishers who make these resources available. In conclusion, the availability of Introduction To Internal Combustion Engine Richard Stone free PDF books and manuals for download has revolutionized the way we access and consume knowledge. With just a few clicks, individuals can explore a vast collection of resources across different disciplines, all free of charge. This accessibility empowers individuals to become lifelong learners, contributing to personal growth, professional development, and the advancement of society as a whole. So why not unlock a world of knowledge today? Start exploring the vast sea of free PDF books and manuals waiting to be discovered right at your fingertips.

## **FAQs About Introduction To Internal Combustion Engine Richard Stone Books**

**What is a Introduction To Internal Combustion Engine Richard Stone PDF?** A PDF (Portable Document Format) is a file format developed by Adobe that preserves the layout and formatting of a document, regardless of the software, hardware, or operating system used to view or print it. **How do I create a Introduction To Internal Combustion Engine Richard Stone PDF?** There are several ways to create a PDF: Use software like Adobe Acrobat, Microsoft Word, or Google Docs, which often have built-in PDF creation tools. Print to PDF: Many applications and operating systems have a "Print to PDF" option that allows you to save a document as a PDF file instead of printing it on paper. Online converters: There are various online tools that can convert different file types to PDF. **How do I edit a Introduction To Internal Combustion Engine Richard Stone PDF?** Editing a PDF can be done with software like Adobe Acrobat, which allows direct editing of text, images, and other elements within the PDF. Some free tools, like PDFescape or Smallpdf, also offer basic editing capabilities. **How do I convert a Introduction To Internal Combustion Engine Richard Stone PDF to another file format?** There are multiple ways to convert a PDF to another format: Use online converters like Smallpdf, Zamzar, or Adobe Acrobats export feature to convert PDFs to formats like Word, Excel, JPEG, etc. Software like Adobe Acrobat, Microsoft Word, or other PDF editors may have options to export or save PDFs in different formats. **How do I password-protect a**

**Introduction To Internal Combustion Engine Richard Stone PDF?** Most PDF editing software allows you to add password protection. In Adobe Acrobat, for instance, you can go to "File" -> "Properties" -> "Security" to set a password to restrict access or editing capabilities. Are there any free alternatives to Adobe Acrobat for working with PDFs? Yes, there are many free alternatives for working with PDFs, such as: LibreOffice: Offers PDF editing features. PDFsam: Allows splitting, merging, and editing PDFs. Foxit Reader: Provides basic PDF viewing and editing capabilities. How do I compress a PDF file? You can use online tools like Smallpdf, ILovePDF, or desktop software like Adobe Acrobat to compress PDF files without significant quality loss. Compression reduces the file size, making it easier to share and download. Can I fill out forms in a PDF file? Yes, most PDF viewers/editors like Adobe Acrobat, Preview (on Mac), or various online tools allow you to fill out forms in PDF files by selecting text fields and entering information. Are there any restrictions when working with PDFs? Some PDFs might have restrictions set by their creator, such as password protection, editing restrictions, or print restrictions. Breaking these restrictions might require specific software or tools, which may or may not be legal depending on the circumstances and local laws.

### **Find Introduction To Internal Combustion Engine Richard Stone :**

[roadmap United States 82-2008 productivity hacks step by step USA 82-732](#)  
[review America 82-858 wearable technology review for small business](#)  
[travel software for entrepreneurs 82-115 budget travel software for](#)  
[retirement planning review America 82-546 retirement planning review USA](#)  
**business 82-2467 smart home tech comparison for small business 82-2670**  
[comparison for creators 82-633 AI tools examples USA 82-2499 AI tools](#)  
**blueprint America 82-1574 VPN services blueprint for creators 82-2298**  
[beginners for startups 82-2794 fitness routines guide United States](#)  
**for startups 82-381 coding for beginners roadmap United States 82-723**  
**content marketing examples for entrepreneurs 82-1450 content marketing**  
[blog monetization guide for small business 82-2990 blog monetization](#)  
**crypto trading case study America 82-2560 crypto trading case study USA**  
**explained America 82-2321 freelancing online explained for entrepreneurs**  
[digital marketing examples United States 82-603 digital marketing](#)  
**82-458 ecommerce trends for beginners United States 82-2049 ecommerce**

**Introduction To Internal Combustion Engine Richard Stone :**

**tesccc continuity key pdf traditionalcatholicpriest** - Nov 24 2021

web harmful virus inside their computer tesccc continuity key pdf is nearby in our digital library an online access to it is set as public fittingly you can download it instantly our

[tesccc continuity key pqr uiaf gov co](#) - Dec 26 2021

web as this tesccc continuity key it ends in the works visceral one of the favored ebook tesccc continuity key collections that we have this is why you remain in the best

**tesccc series key secure4 khronos** - Feb 25 2022

web series tesccc key fast load 1540 dls 7574 kb s series tesccc key mirror 1 2500 dls 9711 kb s new manuals animal cell and plant cell venn diagram math models

[tesccc continuity key uat manofmany com](#) - May 31 2022

web 2 tesccc continuity key 2022 04 08 temperature falls to 20 c or lower every year some who try to climb the highest mountain in the world do not return but for a century people

**tesccc continuity key** - Sep 22 2021

web pi tesccc answers key 2018 tesccc precalculus continuity worksheet answers tesccc series key hspace de tesccc precal key unit 14 lesson 02 bing just pdf analyzing

**tesccc continuity key droplet1 ardupilot** - Sep 03 2022

web jun 9 2023 2018 tesccc precalculus continuity ratios key tesccc tesccc answers key by franziska abend the most effective one wan na get it fibroid remoteness and

**eutcc eu turkey civic commission** - Oct 04 2022

web aug 8 2023 eutcc newsletter june 2023 8 august 2023 eutccadmin dear sir or madam please find below our current newsletter kind regards prof kariane westrheim

[tesccc continuity key uniport edu ng](#) - May 11 2023

web tesccc continuity key 1 1 downloaded from uniport edu ng on august 8 2023 by guest tesccc continuity key thank you for reading tesccc continuity key as you may

**tesccc continuity key** - Oct 24 2021

web may 7th 2018 tesccc answer key unit 01 lesson tesccc answer key unit 01 lesson title ebooks series nepal and south asia a study on continuity and

**tesccc continuity key sam arabtravelers** - Jul 01 2022

web 2 tesccc continuity key 2019 11 02 relating to trading and securities markets including auctions market microstructure

the roles of information and inventories behavioral

**tesccc continuity key dtzonline nl** - Jan 07 2023

web reviewing tesccc continuity key unlocking the spellbinding force of linguistics in a fast paced world fueled by information and interconnectivity the spellbinding force of

tesccc continuity key free pdf books - Jul 13 2023

web all access to tesccc continuity key pdf free download tesccc continuity key pdf or read tesccc continuity key pdf on the most popular online pdf lab only register

**tesccc continuity key online kptm edu my** - Jun 12 2023

web the missing factor tesccc unit 7 lesson 2 key byesms de 2018 tesccc precalculus continuity worksheet answers 2012 tesccc precalculus continuity worksheet

tesccc continuity key pdf copy - Aug 02 2022

web may 2 2023 merely said the tesccc continuity key pdf is universally compatible similar to any devices to read tesccc continuity key pdf web mar 24 2023 tesccc continuity

tesccccontinuitykey pdf logs erpnext - Apr 10 2023

web key areas it also includes a full length 250 question practice exam fully updated for the 2012 cissp body of knowledge the industry leading standard for it professionals

**tesccc continuity key verify meetcircle com** - Nov 05 2022

web tesccc continuity key 3 3 materials and save water he suggests simple and achievable methods by which to reduce the carbon footprint of ceramic art and draws on interviews

tesccc continuity key uniport edu ng - Dec 06 2022

web jun 30 2023 tesccc continuity key 1 8 downloaded from uniport edu ng on june 30 2023 by guest tesccc continuity key this is likewise one of the factors by obtaining

tesccccontinuitykey full pdf socket siteengine co - Feb 08 2023

web principles and practice of business continuity the it service management process manual handbook for the use of electricians in the operation and care of electrical

international teacher training college educating the - Mar 09 2023

web among the training services that ittc will provide with its academic staff you can have tesol diploma approved by ittc london teacher training college and tquk

tscc what does tscc stand for the free dictionary - Apr 29 2022

web tscc the source by circuit city tscc toxic substances coordinating committee tscc triad sports car club tscc technical

support call center various companies

**türkiye lisansüstü Çalışmalar kongresi türkiye nin genç birikimi** - Mar 29 2022

web Önceki kongreler 2012 yılında konya ile yolculuğuna başlayan türkiye lisansüstü Çalışmalar kongresi yolculuğuna sırasıyla konya bursa sakarya kütahya isparta

[tesccc continuity key pdf](#) - Aug 14 2023

web tesccc continuity key is available in our book collection an online access to it is set as public so you can download it instantly our book servers saves in multiple locations

[tesccccontinuitykey lms csasp g12](#) - Jan 27 2022

web tesccccontinuitykey 1 tesccccontinuitykey tesccccontinuitykey downloaded from lms csasp g12 br by guest page davies

**pacific northwest 1 1 267 000 by michelin erp ecomobi com** - Feb 10 2023

web pacific northwest 1 1 267 000 by michelin the northwest passage opens for bowhead whales january 28th 2017 the first evidence that bowhead whales move at least partially into the northwest passage was obtained in

[pacific northwest 1 1 267 000 by michelin](#) - Mar 11 2023

web pacific northwest 1 1 267 000 by michelin major southeast snowstorm faded last night another one started thousands of miles away in the pacific northwest seattle pacific cumulative season statistics

**pacific northwest 1 1 267 000 michelin texte en entier pdf** - Oct 06 2022

web aug 4 2020 nom de fichier pacific northwest 1 1 267 000 pdf taille du fichier 20 77 la vitesse du serveur actuel est 28 19 mbps pacific northwest 1 1 267 000 michelin texte en entier pdf pacific northwest 1 1 267 000 a été écrit par michelin qui connu comme un auteur et ont écrit beaucoup de livres intéressants avec une grande

[pacific northwest echelle 1 1 267 000 collectif fnac](#) - Aug 16 2023

web feb 3 2016 echelle 1 1 267 000 pacific northwest collectif michelin travel partner des milliers de livres avec la livraison chez vous en 1 jour ou en magasin avec 5 de réduction

[pacific northwest 1 1 267 000 by michelin media joomlashine com](#) - Jun 02 2022

web pacific northwest 1 1 267 000 by michelin pacific northwest index pni columbia basin research april 30th 2020 summary the pacific northwest index pni developed by ebbesmeyer and strickland 1995 is a terrestrial climate index useful for studying climate effects on salmon productivity trends it is a posite index that characterizes pacific

**pacific northwest 1 1 267 000 pdf online orysudhir google** - Feb 27 2022

web 86305 barcelone 1 11 000 86305 barcelone 1 11 000 pdf download free algarve portugal sud 1 200 000 pdf online alsace vosges 2005 2006 pdf download amsterdam 1 12 500 pdf online free anna d arabie pdf online free ardennes le guide complet de ses 462 communes pdf kindle

[precision rifle series northwest rocky mountain region](#) - Dec 28 2021

web cumulative season statistics pacific northwest 1 1 267 000 blizzard developing in the northwest routes likely to be volleyball seattle pacific at fresno pacific 09 01 2018 the northwest passage opens for bowhead whales phylogeography of wolves canis lupus in the pacific memoirs 031 001 0267 geological society london memoirs 55 000 jobs

**[pacific northwest 1 1 267 000 pdf free download](#)** - Sep 05 2022

web pdf file book pacific northwest 1 1 267 000 only if you are registered here download and read online pacific northwest 1 1 267 000 pdf book file easily for everyone or every device and also you can download or readonline all file pdf book that related with pacific northwest 1 1 267 000 book happy reading pacific northwest 1 1 267 000 book

**[ebook pacific northwest 1 1 267 000 by michelin](#)** - Nov 07 2022

web feb 16 2014 ebook pacific northwest 1 1 267 000 by michelin ne pensez vous pas que la lecture de publications vous donnera plus d avantages pour toutes les sessions ainsi que les types de publications cela est pensé comme une façon qui va certainement vous conduire à obtenir meilleur

[pacific northwest 1 1 267 000 by michelin bespoke cityam](#) - Apr 12 2023

web pacific northwest 1 1 267 000 by michelin pacific northwest 1 1 267 000 by michelin it would not say yes often as we inform before simply stated the pacific northwest 1 1 267 000 by

[pacific northwest 1 1 267 000 by michelin jetpack theaoi](#) - May 13 2023

web pacific northwest 1 1 267 000 by michelin the first evidence that bowhead whales move at least partially into the northwest passage was obtained in 2002 when a 12 m long sub adult bowhead whale tagged in west

**[pacific northwest 1 1 267 000 by michelin survey towerbrook com](#)** - Jan 09 2023

web pacific northwest 1 1 267 000 by michelin northwest christian season statistics may 2nd 2020 3 6 0 0 2 4 1 2 date time opponent score attend high points high rebounds 10 26 18 05 30 pm

[pacific northwest 1 1 267 000 uniport edu](#) - Jul 03 2022

web northwest 1 1 267 000 and numerous book collections from fictions to scientific research in any way in the course of them is this pacific northwest 1 1 267 000 that can be your partner monthly climatic data for world united states

[pacific northwest 1 1 267 000 télécharger pdf epub ebook](#) - Jun 14 2023

web avec pacific northwest 1 1 267 000 beaucoup de gens essaient de rechercher ces livres dans le moteur de recherche avec plusieurs requêtes telles que télécharger le livre pacific northwest 1 1 267 000 en format pdf télécharger pacific northwest 1 1 267 000 livre ebook pdf pour obtenir livre gratuit

[north pacific modelleri fiyatları ve Ürünleri hepsiburada](#) - Aug 04 2022

web north pacific modelleri ve ürünleri en uygun fiyatlar ile hepsiburada com da en ucuz north pacific modelleri ve

kampanyalar hakkında bilgi almak için tıklayın

[pacific northwest 1 1 267 000 download only](#) - May 01 2022

web 2004 pba pacific northwest volume 1 covers oregon and the columbia river washington coast puget sound the san juan islands and british columbia up through vancouver island

[pacific northwest 1 1 267 000 pdf download only voto uncal edu](#) - Jan 29 2022

web pacific northwest 1 1 267 000 pdf reviewing pacific northwest 1 1 267 000 pdf unlocking the spellbinding force of linguistics in a fast paced world fueled by information and interconnectivity the spellbinding force of linguistics has

**western pacific n11 com** - Mar 31 2022

web western pacific mağazasının benzersiz ürün seçenekleri fiyatları ve kampanyaları n11 com ile western pacific mağazasında sizi bekliyor temizle son baktıklarım asus vivobook pro 14 m3401qc km077 r9 5900hx 16 gb 1 tb ssd rtx3050 14 dos dizüstü bilgisayar tükenmek üzere 38 999

**pacific northwest wikipedia** - Dec 08 2022

web the pacific northwest is a diverse geographic region dominated by several mountain ranges including the coast mountains the cascade range the olympic mountains the columbia mountains and the rocky mountains the highest peak in the pacific northwest is mount rainier in the washington cascades at 14 410 feet 4 392 m

**pacific northwest 1 1 267 000 michelin furet du nord** - Jul 15 2023

web découvrez pacific northwest 1 1 267 000 le livre de michelin sur furet com 9782067190771

[l histoire secrète des fleurs tela botanica](#) - Dec 07 2022

web l histoire secrète des fleurs le but de ce livre est d expliquer une partie de ce que l on sait sur les fleurs comment on l a appris de raconter l odysée de

[l histoire secrète des fleurs insb](#) - Jul 14 2023

web inimaginable les plantes à fleur peuplent notre univers elles nous nourrissent nous émerveillent nous aident à séduire pourtant elles n ont pas toujours existé elles sont

[l histoire secrète des fleurs lpcv fr](#) - Jan 08 2023

web le mystère de darwin n est plus aussi abominable nous savons désormais un peu mieux comment la nature est entrée dans l âge de la fleur dans un récit vivant et

[l histoire secrète des fleurs de françois parcy pdf decitre](#) - Sep 23 2021

[le secret des fleurs integrale nora roberts babelio](#) - Oct 25 2021

*l histoire secrète des fleurs françois parcy download on z library - Nov 25 2021*

l histoire secrète des fleurs by francois parcy goodreads - Jan 28 2022

web jan 6 2016 nora roberts le secret des fleurs tome 0 sur 4 ean 9782290123652 1038 pages j ai lu 06 01 2016 4 19 5 13

notes résumé le secret des fleurs tome 1 le

calaméo l histoire secrète des fleurs - Sep 04 2022

web vidéo de la série reliés chez humensciences françois parcy est directeur de recherche cnrs au laboratoire de physiologie cellulaire et végétale de grenob

**l histoire secrète des fleurs amazon fr - Jun 13 2023**

web l enquête scientifique qui dure depuis 200 ans vient brusquement de s accélérer nous savons mieux désormais comment la nature est entrée dans l âge de la fleur françois

**l histoire secrète des fleurs youtube - Jun 01 2022**

web may 15 2019 l enquête scientifique qui dure depuis 200 ans vient brusquement de s accélérer nous savons mieux désormais comment la nature est entrée dans l âge de

l histoire secre te des fleurs pierre bayle 2023 - Dec 27 2021

web may 15 2019 l histoire est racontée du point de vue de bee une jeune femme fan de marie curie bee ne veut pas d animaux ils meurent et encore moins une relation

**l histoire secrète des fleurs grand format decitre - Aug 03 2022**

web may 15 2019 un monde sans fleurs inimaginable les plantes à fleur peuplent notre univers elles nous nourrissent nous émerveillent nous aident à séduire pourtant

**l histoire secrète des fleurs insb - Mar 10 2023**

web dans un récit vivant et accessible françois parcy de notre laboratoire dévoile des créatures bien moins sages qu il n y paraît les fleurs se révèlent intelligentes

**humensciences ouvrage - Mar 30 2022**

web merely said the l histoire secre te des fleurs is universally compatible with any devices to read dictionnaire historique et bibliographique portatif contenant l histoire des

l histoire secrète des fleurs françois parcy librairie eyrolles - Jul 02 2022

web l histoire secrète des fleurs par Étienne klein et françois parcy date de parution 15 05 2019 collection comment a t on su ean 9782379310270 nombre de pages

**l histoire secrète des fleurs françois parcy bookys ebooks - Feb 26 2022**

web l histoire secrète des fleurs françois parcy download on z library z library download books for free find books

[l histoire secrète des fleurs amazon com](#) - Apr 11 2023

web inimaginable les plantes à fleur peuplent notre univers elles nous nourrissent nous émerveillent nous aident à séduire pourtant elles n ont pas toujours existé elles sont

*l histoire secrète des fleurs de françois parcy dygest* - Feb 09 2023

web sep 9 2019 essai l histoire secrète des fleurs auteur françois parcy editions humensciences 227 pages l essor de l espèce humaine s est en grande partie

**l histoire secrète des fleurs parcy françois 9782379310270** - Oct 05 2022

web le mystère de darwin n est plus aussi abominable nous savons désormais un peu mieux comment la nature est entrée dans l âge de la fleur dans un récit vivant et accessible

[l histoire secrÈte des fleurs linkedin](#) - Nov 06 2022

web may 15 2019 dans un récit vivant et accessible françois parcy dévoile des créatures bien moins sages qu il n y parait les fleurs se révèlent intelligentes manipulatrices et

*l histoire secrète des fleurs françois parcy furet du nord* - Apr 30 2022

web l histoire secrète des fleurs book read reviews from world s largest community for readers d où viennent les fleurs un monde sans fleurs inimagina

**l histoire secrète des fleurs françois parcy babelio** - Aug 15 2023

web may 15 2019 résumé un monde sans fleurs inimaginable les plantes à fleur peuplent notre univers elles nous nourrissent nous émerveillent nous aident à séduire pourtant elles n ont pas toujours existé elles sont apparues il y a seulement 150

**l histoire secrète des fleurs broché françois parcy** - May 12 2023

web may 15 2019 l enquête scientifique qui dure depuis 200 ans vient brusquement de s accélérer nous savons mieux désormais comment la nature est entrée dans l âge de