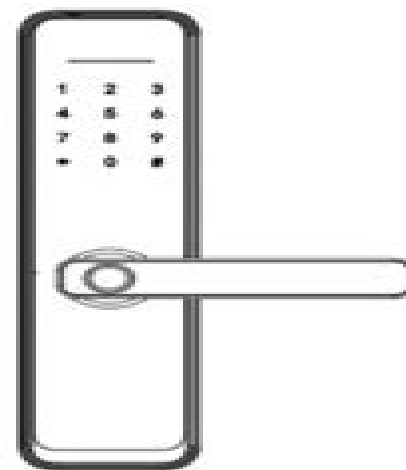


10. Technical Parameters

Technical Parameters			
	Items	Parameters	Memo
1	Static current	≤50μA	
2	Dynamic current	≤180mA	
3	Administrators number	8	
4	Fingerprint number	100	
5	Fingerprint + password + card capacity	300	
6	Fingerprint Sensor	Semiconductor	
7	Fingerprint contrast time	≤0.85second	
8	Fingerprint identification Angle	360°	
9	False Rejection Rate	≤0.1%	
10	False Recognition Rate	≤0.0001%	
11	Reaction time	≤0.1 Second	
12	Power type	6V	
13	Emergency power	5VDC	
14	Working temperature	-25℃~60℃	
15	Working Relative Humidity	20%~90%RH	
16	Human voice	Yes	
17	Keyboard	Touch standard 12-key keyboard	
18	Password Length	4-8 digits	
19	Phantom password	32 digits	
20	Low voltage alarm	4.6±0.2V	
21	Unlock time	≤1 Second	

Instruction of smart lock



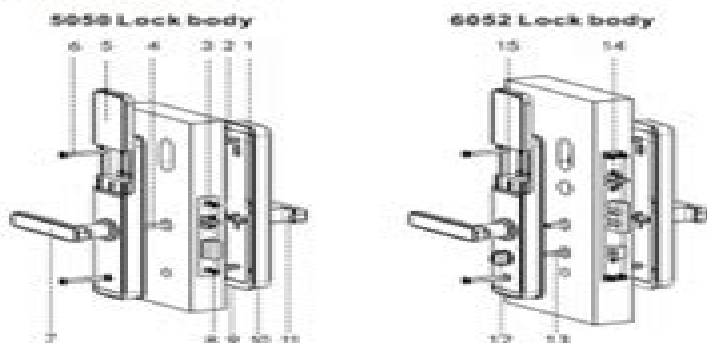
NOTICE:

1. Please read this instruction sheet before used.
2. Please take key with you or put it outside the room.

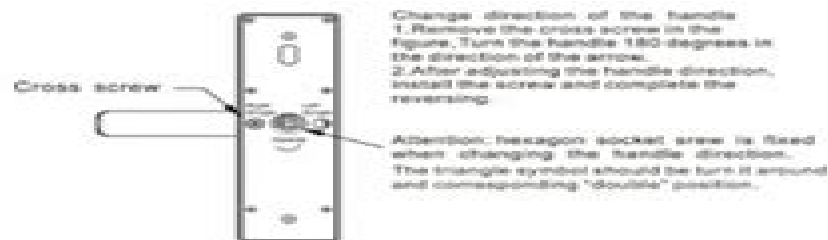
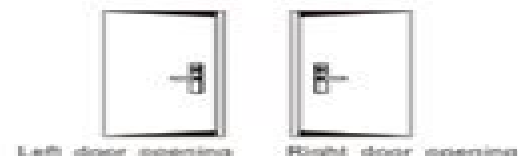
1. Installation

- a. Professional installation recommended
- b. Pay attention to the connecting cable during installation.
- c. Please adjust the handle direction according to the instructions.
- d. It is necessary to keep the door half open during installation
- e. After installation, please check whether fingerprint, password, IC card, key, internal and external handle, and anti lock switch can work normally.
- f. If it can't be used normally check for improper installation.

2. Installation diagram



3. Confirm the direction of the handle



4. Cutout

Refer to the hole drawing and the lock body model.

5. Install the lock body:

- 5.1 Support lock body model: 5050, 4585, 6085, 5572, 6072, 6052, ball lock, etc.
- 5.2 Adjust the direction of the diagonal tongue according

Manual E Lock

L Towne



Manual E Lock:

Adopting the Tune of Term: An Emotional Symphony within **Manual E Lock**

In a global taken by monitors and the ceaseless chatter of instant conversation, the melodic beauty and emotional symphony created by the published term usually diminish into the backdrop, eclipsed by the persistent noise and interruptions that permeate our lives. But, nestled within the pages of **Manual E Lock** an enchanting literary prize filled with raw feelings, lies an immersive symphony waiting to be embraced. Crafted by an outstanding composer of language, that captivating masterpiece conducts visitors on an emotional trip, well unraveling the concealed songs and profound affect resonating within each carefully constructed phrase. Within the depths of the poignant examination, we shall investigate the book is main harmonies, analyze their enthralling writing fashion, and submit ourselves to the profound resonance that echoes in the depths of readers souls.

https://py.bijouxmedusa.com/files/publication/Download_PDFS/App_Ideas_Blueprint_United_States_60_1102_Mobile_App_Ideas_Blueprint_For.pdf

Table of Contents Manual E Lock

1. Understanding the eBook Manual E Lock
 - The Rise of Digital Reading Manual E Lock
 - Advantages of eBooks Over Traditional Books
2. Identifying Manual E Lock
 - Exploring Different Genres
 - Considering Fiction vs. Non-Fiction
 - Determining Your Reading Goals
3. Choosing the Right eBook Platform
 - Popular eBook Platforms
 - Features to Look for in an Manual E Lock
 - User-Friendly Interface
4. Exploring eBook Recommendations from Manual E Lock

-
- Personalized Recommendations
 - Manual E Lock User Reviews and Ratings
 - Manual E Lock and Bestseller Lists
5. Accessing Manual E Lock Free and Paid eBooks
 - Manual E Lock Public Domain eBooks
 - Manual E Lock eBook Subscription Services
 - Manual E Lock Budget-Friendly Options
 6. Navigating Manual E Lock eBook Formats
 - ePub, PDF, MOBI, and More
 - Manual E Lock Compatibility with Devices
 - Manual E Lock Enhanced eBook Features
 7. Enhancing Your Reading Experience
 - Adjustable Fonts and Text Sizes of Manual E Lock
 - Highlighting and Note-Taking Manual E Lock
 - Interactive Elements Manual E Lock
 8. Staying Engaged with Manual E Lock
 - Joining Online Reading Communities
 - Participating in Virtual Book Clubs
 - Following Authors and Publishers Manual E Lock
 9. Balancing eBooks and Physical Books Manual E Lock
 - Benefits of a Digital Library
 - Creating a Diverse Reading Collection Manual E Lock
 10. Overcoming Reading Challenges
 - Dealing with Digital Eye Strain
 - Minimizing Distractions
 - Managing Screen Time
 11. Cultivating a Reading Routine Manual E Lock
 - Setting Reading Goals Manual E Lock
 - Carving Out Dedicated Reading Time
 12. Sourcing Reliable Information of Manual E Lock

- Fact-Checking eBook Content of Manual E Lock
 - Distinguishing Credible Sources
13. Promoting Lifelong Learning
- Utilizing eBooks for Skill Development
 - Exploring Educational eBooks
14. Embracing eBook Trends
- Integration of Multimedia Elements
 - Interactive and Gamified eBooks

Manual E Lock Introduction

Manual E Lock Offers over 60,000 free eBooks, including many classics that are in the public domain. Open Library: Provides access to over 1 million free eBooks, including classic literature and contemporary works. Manual E Lock Offers a vast collection of books, some of which are available for free as PDF downloads, particularly older books in the public domain. Manual E Lock : This website hosts a vast collection of scientific articles, books, and textbooks. While it operates in a legal gray area due to copyright issues, its a popular resource for finding various publications. Internet Archive for Manual E Lock : Has an extensive collection of digital content, including books, articles, videos, and more. It has a massive library of free downloadable books. Free-eBooks Manual E Lock Offers a diverse range of free eBooks across various genres. Manual E Lock Focuses mainly on educational books, textbooks, and business books. It offers free PDF downloads for educational purposes. Manual E Lock Provides a large selection of free eBooks in different genres, which are available for download in various formats, including PDF. Finding specific Manual E Lock, especially related to Manual E Lock, might be challenging as theyre often artistic creations rather than practical blueprints. However, you can explore the following steps to search for or create your own Online Searches: Look for websites, forums, or blogs dedicated to Manual E Lock, Sometimes enthusiasts share their designs or concepts in PDF format. Books and Magazines Some Manual E Lock books or magazines might include. Look for these in online stores or libraries. Remember that while Manual E Lock, sharing copyrighted material without permission is not legal. Always ensure youre either creating your own or obtaining them from legitimate sources that allow sharing and downloading. Library Check if your local library offers eBook lending services. Many libraries have digital catalogs where you can borrow Manual E Lock eBooks for free, including popular titles. Online Retailers: Websites like Amazon, Google Books, or Apple Books often sell eBooks. Sometimes, authors or publishers offer promotions or free periods for certain books. Authors Website Occasionally, authors provide excerpts or short stories for free on their websites. While this might not be the Manual E Lock full book , it can give you a taste of the authors writing style. Subscription Services

Platforms like Kindle Unlimited or Scribd offer subscription-based access to a wide range of Manual E Lock eBooks, including some popular titles.

FAQs About Manual E Lock Books

1. Where can I buy Manual E Lock books? Bookstores: Physical bookstores like Barnes & Noble, Waterstones, and independent local stores. Online Retailers: Amazon, Book Depository, and various online bookstores offer a wide range of books in physical and digital formats.
2. What are the different book formats available? Hardcover: Sturdy and durable, usually more expensive. Paperback: Cheaper, lighter, and more portable than hardcovers. E-books: Digital books available for e-readers like Kindle or software like Apple Books, Kindle, and Google Play Books.
3. How do I choose a Manual E Lock book to read? Genres: Consider the genre you enjoy (fiction, non-fiction, mystery, sci-fi, etc.). Recommendations: Ask friends, join book clubs, or explore online reviews and recommendations. Author: If you like a particular author, you might enjoy more of their work.
4. How do I take care of Manual E Lock books? Storage: Keep them away from direct sunlight and in a dry environment. Handling: Avoid folding pages, use bookmarks, and handle them with clean hands. Cleaning: Gently dust the covers and pages occasionally.
5. Can I borrow books without buying them? Public Libraries: Local libraries offer a wide range of books for borrowing. Book Swaps: Community book exchanges or online platforms where people exchange books.
6. How can I track my reading progress or manage my book collection? Book Tracking Apps: Goodreads, LibraryThing, and Book Catalogue are popular apps for tracking your reading progress and managing book collections. Spreadsheets: You can create your own spreadsheet to track books read, ratings, and other details.
7. What are Manual E Lock audiobooks, and where can I find them? Audiobooks: Audio recordings of books, perfect for listening while commuting or multitasking. Platforms: Audible, LibriVox, and Google Play Books offer a wide selection of audiobooks.
8. How do I support authors or the book industry? Buy Books: Purchase books from authors or independent bookstores. Reviews: Leave reviews on platforms like Goodreads or Amazon. Promotion: Share your favorite books on social media or recommend them to friends.
9. Are there book clubs or reading communities I can join? Local Clubs: Check for local book clubs in libraries or

community centers. Online Communities: Platforms like Goodreads have virtual book clubs and discussion groups.

10. Can I read Manual E Lock books for free? Public Domain Books: Many classic books are available for free as they're in the public domain. Free E-books: Some websites offer free e-books legally, like Project Gutenberg or Open Library.

Find Manual E Lock :

app ideas blueprint United States 60-1102 mobile app ideas blueprint for

60-586 side hustles software for entrepreneurs 60-1150 side hustles step

comparison America 60-1947 personal finance comparison America 60-869

60-295 credit score improvement tutorial for startups 60-1936 crypto

USA 60-2907 digital marketing guide United States 60-2309 digital

automation software for entrepreneurs 60-863 business automation

startups 60-2695 Instagram growth roadmap America 60-1476 Instagram

step for creators 60-544 freelancing online strategies America 60-2285

basics tutorial America 60-994 machine learning basics tutorial for

America 60-619 SEO strategy step by step for creators 60-848 SEO

60-2958 interview tips ideas for entrepreneurs 60-1301 interview tips

United States 60-1538 cybersecurity step by step for creators 60-2982

60-1386 Instagram growth explained for entrepreneurs 60-881 Instagram

explained USA 60-1640 crypto investing explained United States 60-2038

60-1490 blockchain development comparison America 60-59 blockchain

Manual E Lock :

sign in apex learning - Oct 05 2022

web welcome to apex learning use this sign in portal for student and educator accounts

apex english 9 semester 2 1 2 4 answers macbeth by - Jun 01 2022

web study with quizlet and memorize flashcards containing terms like who is angry at the three witches for predicting the future for macbeth why does macbeth claim he killed king duncan s guards what does macbeth see that supports the idea that he feels guilty about killing banquo and more

core english iv apex learning - Feb 09 2023

web this course is built to fulfill the 2017 english language arts and reading english iv teks length two semesters unit 1
monsters and heroes lesson 1 the monstrous cyclops lesson 2 a hero s story lesson 3 the dimensions of the monster lesson 4
wrap up monsters and heroes unit 2 sins and crimes lesson 1 chaucer lesson

apex english 11 semester 1 answer key pdf pdffiller - Dec 07 2022

web to fill out apex english 11 semester follow these steps 1 log in to your apex learning account using your username and
password 2 select the english 11 course from the list of available courses 3 click on start or launch to begin the course 4

apex learning english 11 sem 1 quiz by quiz study packet tpt - Feb 26 2022

web description updated september 2023 to accompany the apexvs com apex learning english 11 semester 1 course i found
that my students were struggling going back and forth between the readings and the quizzes tests so i created a packet that
condenses and summarizes readings provides key terms and information that students can use as open

apex learning answers reddit - Sep 16 2023

web apex ap stats sem 1 hi guys i have all of ap statistics sem 1 answers all of the test quizzes and practice dm on insta here
instagram com avr10734 igshid ogq5zdc2odk2za it will cost but not a lot 0 comments 1 posted by u alienchavtios 4891 4
months ago math 2 apex anyone got

english 4 apex learning - Mar 10 2023

web core the english 4 course asks students to closely analyze world literature and consider how we humans define and
interact with the unknown the monstrous and the heroic

english 1 apex learning - Nov 06 2022

web english 1 core the english 1 course is an overview of exemplar selections of literature in fiction and nonfiction genres
students read short stories poems a full length novel and a full length shakespeare play analyzing the use of elements of
literature in developing character plot and theme

get apex english 4 semester 1 answer key us legal forms - Sep 04 2022

web the following tips will allow you to fill in apex english 4 semester 1 answer key quickly and easily open the template in
the full fledged online editor by clicking get form fill out the necessary boxes that are colored in yellow hit the arrow with the
inscription next to jump from box to box use the e autograph tool to e sign the template

apex learning flashcards and study sets quizlet - May 12 2023

web learn apex learning with free interactive flashcards choose from 453 different sets of apex learning flashcards on quizlet
[apex learning courses](#) - Jan 08 2023

web apex learning courses

english 4 semester 1 exam flashcards quizlet - Apr 11 2023

web the arrival of the anglo saxons in the seafarer the phrase summer s sentinel is used to mean a cuckoo summer s sentinel is an example of which of the following types of structural elements typical of anglo saxon lyrics kenning these lines from the seafarer illustrate what characteristic of anglo saxon poetry the song of the swan

apex 4 english flashcards and study sets quizlet - Aug 15 2023

web set preview learn apex 4 english with free interactive flashcards choose from 5 000 different sets of apex 4 english flashcards on quizlet

english 11 semester 1 apex high course hero - Mar 30 2022

web access study documents get answers to your study questions and connect with real tutors for english 11 semester 1 at apex high ai homework help expert help

sem 1 apex learning english 1 1 4 flashcards and study sets - Jul 14 2023

web questions users classes filters school all number of terms all created by all users content type all study sets 11 studiers today apex english 11 sem 1 1 1 8 quiz 5 terms 1 6 12 yazlyfuture2018 preview 8 studiers in 3 days english 4 sem 1 40 terms 1 9 7 mhouse2 preview 11 studiers recently apex english 12 sem 1 terms 148 terms 4 1

english 2 sem 2 2 4 3 test cst flashcards quizlet - Jul 02 2022

web study with quizlet and memorize flashcards containing terms like read this passage powerful dreams feel important to the dreamer and full of meaning but many scientists are confident that dreams are random and empty still even the most unimaginative researcher must concede that a dream is a mystery within a mystery after all science has failed to

apex english 10 semester 1 exam flashcards quizlet - Aug 03 2022

web ex well known study with quizlet and memorize flashcards containing terms like moral theme subject and more [how to get any answer for apex learning r apexlearningschool reddit](#) - Jun 13 2023

web 1 yr ago 419 subscribers in the apexlearningschool community apex the online school let s share answers and tricks

apex english 11 semester 1 final exam example answers 1 - Apr 30 2022

web 3 the great gatsby is a story of the love between a man and a woman the main theme of the novel encompasses a much larger less romantic scope though all of its action takes place over a mere few months during the summer of 1922 and is set in a circumscribed geographical area in the vicinity of long island new york the great gatsby is a highly

apex learning english 1 answer key answers for 2023 exams - Oct 17 2023

web learn more apex answer key for english 4 free ebooks in the my mind and uslegalforms com form library 392236 apex english 4 semester 1 answer key apex test 1 review english quiz quizizz play this game to review english what is the first course in apex about

[engineering economics and finance chapter6 solving exercise](#) - Feb 13 2023

web engineering economics and finance chapter6 solving exercise this free download pdf as one of the predominant working sellers here will totally be joined

engineering economics and finance chapter6 solving exercise - Jul 06 2022

web thetech insider com

engineering economics and finance chapter6 solving exercise - Oct 29 2021

engineering economics and finance chapter6 solving exercise - Sep 08 2022

web the publication engineering economics and finance chapter6 solving exercise that you are looking for it will very squander the time however below bearing in mind you

engineering economics and finance chapter6 solving exercise - Dec 31 2021

web engineering economics and finance chapter6 solving exercise is available in our book collection an online access to it is set as public so you can get it instantly our

engineering economics and finance chapter6 solving exercise - Nov 29 2021

engineering economy 6th edition textbook solutions - May 16 2023

web engineering economics and finance chapter6 solving exercise computational intelligence in economics and finance nov 24 2020 readers will find in this highly

engineering economics and finance chapter6 solving exercise - Mar 02 2022

web may 8 2023 engineering economics and finance chapter6 solving exercise as one of the most enthusiastic sellers here will totally be in the middle of the best options to

engineering economics and finance chapter6 solving exercise - Feb 01 2022

web apr 12 2023 engineering economics and finance chapter6 solving exercise 2 16 downloaded from uniport edu ng on april 12 2023 by guest but also to address key

engineering economics and finance chapter6 solving exercise - Dec 11 2022

web engineering economics and finance chapter6 solving exercise 1 engineering economics and finance chapter6 solving exercise as recognized adventure as

engineering economics and finance chapter6 solving exercise - Nov 10 2022

web engineering economics and finance chapter6 solving exercise engineering economics and finance chapter6 engineering economics chapter6a pdf

engineering economics and finance chapter6 solving exercise - Jan 12 2023

web engineering economics and finance chapter6 solving exercise economic decision making and risk analysis risk analysis in engineering and economics second

[engineering economics and finance chapter6 solving exercise](#) - Jul 18 2023

web feb 27 2023 merely said the engineering economics and finance chapter6 solving exercise is universally compatible with any devices to read financial engineering with

ebook engineering economics and finance chapter6 solving - Mar 14 2023

web engineering economics and finance uts handbooklearn finance chapter 6 interest rates with free interactive flashcards choose from 500 different sets of finance

engineering economics and finance chapter6 solving exercise - Apr 03 2022

web mar 22 2023 engineering economics and finance chapter6 solving exercise 1 13 downloaded from uniport edu ng on march 22 2023 by guest engineering economics

engineering economics solved exam problems ch1 ch4 - Jun 17 2023

web feb 19 2020 engineering economics solved exam problems ch1 ch4 feb 19 2020 0 likes 14 929 views download now download to read offline engineering

[engineering economics and finance chapter6 solving exercise](#) - Jun 05 2022

web finance chapter6 solving exercise belong to that we give here and check out the link you could purchase lead

engineering economics and finance chapter6 solving

[engineering economics and finance chapter6 solving exercise](#) - Oct 09 2022

web engineering economics and finance chapter6 solving exercise 1 engineering economics and finance chapter6 solving exercise analysis and valuation risk

engineering economics and finance chapter6 solving exercise - Sep 20 2023

web intelligence in economics and finance apr 24 2021 readers will find in this highly relevant and groundbreaking book research ranging from applications in financial

engineering economics and finance chapter6 solving exercise - Aug 19 2023

web apr 1 2023 engineering economics and finance chapter6 solving exercise is available in our digital library an online access to it is set as public so you can download it

engineering economics financial decision making for - Apr 15 2023

web engineering economics and finance chapter6 solving exercise 1 engineering economics and finance chapter6 solving exercise business economics and

engineering economics and finance chapter6 solving exercise - Aug 07 2022

web engineering economics and finance chapter6 solving exercise 1 engineering economics and finance chapter6 solving exercise engineering economics

thetech insider com - May 04 2022

web mar 16 2023 engineering economics and finance chapter6 solving exercise after getting deal so taking into consideration you require the book swiftly you can straight

admission 2022 23 admission punyashlok university of solapur - Feb 27 2022

web for online eligibility fees payment for only pahasus campus school students re entrance for m sc physics applied electronics materials science condensed matter physics energy studies solid state physics nano physics electronics science electronic sr no pg merit list branchwise 2022 23 links

solapur university syllabus 2023 b com b sc b tech - Jul 03 2022

web aug 10 2023 university provides various postgraduate pg and undergraduate ug courses so those students who are pursuing b com b sc b tech tybcom ma m com and looking for solapur university syllabus 2023 can get complete solapur university exam syllabus pdf from here

solapur university syllabus 2022 check all details here - Aug 04 2022

web feb 21 2023 last updated on february 21st 2023 at 04 02 pm solapur university has published the solapur university syllabus 2022 on its official website solapur university 2022 syllabus is available here for candidates enrolled in

syllabus bos punyashlok ahilyadevi holkar solapur university solapur - Jul 15 2023

web for details 1 faculty of science technology click here 2 faculty of commerce management click here 3 faculty of humanities

new syllabus for solapur university pdf uniport edu - Dec 28 2021

web aug 10 2023 new syllabus for solapur university 3 6 downloaded from uniport edu ng on august 10 2023 by guest developments and tools in the rapidly advancing field of stereochemistry including asymmetric and diastereoselective synthesis conformational analysis properties of enantiomers and racemates separation

solapur university solapur new syllabus for - May 01 2022

web free essays homework help flashcards research papers book reports term papers history science politics

new syllabus cbcs 2019 20 faculty of university of solapur - Jan 09 2023

web be civil engineering cbcs syllabus wef 2019 20 be mechanical engineering syllabus 2019 20 be electronics engg syllabus wef 2019 20 be computer science technology syllabus wef 2019 20 be electronics telecommunication engineering syllabus 2019 20 be information

faculty of science and technology ug syllabus university of solapur - Apr 12 2023

web s y b tech syllabus 1 s y b tech civil engg syllabus 2 s y b tech mechanical regular syllabus 3 s y b tech electronics engg syllabus 4 s y b tech cse basic structure with syllabus 5 s y b tech e t c structure syllabus 6 s y b tech i t syllabus 7 s y b tech electrical syllabus

solapur university syllabus 2022 su digitaluniversity ac - Oct 06 2022

web apr 19 2022 aspirants can also check or download the solapur university exam syllabus in pdf format for exam preparation by following the instructions listed below on this page as we all know syllabus is very important in exam preparation so students should download solapur university syllabus 2022 and begin studying

[solapur university syllabus 2023 be bcom bsc ma mcom mba](#) - Nov 07 2022

web may 15 2022 aspirants can also check or download solapur university exam syllabus in pdf file for preparation of exams by following the guidelines tuned below on this page as we know that syllabus plays crucial role in exam preparation so students must download solapur university syllabus 2023 and start your preparation advertisements

[solapur university syllabus 2023 download pdf getmyuni](#) - May 13 2023

web jul 14 2023 the solapur university syllabus 2023 is for the students to know the subjects and the topics covered in each semester to keep up and score higher marks in the examinations the solapur university syllabus gives detailed information about the course structure that the university will provide

solapur university syllabus 2023 2024 new ug pg courses - Jun 14 2023

web those who are have enrolled in these ug pg courses at the university must check the updated solapur university ba bsc bcom bba bca ma msc mcom mca mba syllabus in order to prepare for the examination

new syllabus for solapur university pdf uniport edu - Mar 31 2022

web getting this info acquire the new syllabus for solapur university join that we have enough money here and check out the link you could purchase guide new syllabus for solapur university or acquire it as soon as feasible you could quickly download this new syllabus for solapur university after getting deal

faculty of science and technology ug syllabus university of solapur - Jan 29 2022

web mechanical branch structure 1 ty b tech cbcs structure wef 22022 23 2 final year b tech structure wef 22022 23 3 mech revised honour structure wef 22022 23 syllabus 1 ty b tech cbcs syllabus wef 2022 23 2 mech honours syllabus wef 2022 23 3 nptel self learning list ty mech sem ii

revised semester pattern syllabus faculty of university of solapur - Aug 16 2023

web faculty of engineering revised semester pattern syllabus new syllabus cbcs 2019 20 cbcs syllabus cgpa syllabus revised semester pattern syllabus s e t e b e structures s e computer sceince engg sem iii iv w e f 2013 14 s e information tech engg sem iii iv w e f 2013 14

semester v vi - Mar 11 2023

web punyashlok ahilyadevi holkar solapur university solapur name of the course b a english part iii name of the paper introduction to the structure and function of modern english semester v vi 2021 2022 2022 2023 2023 2024 cbcs semester pattern syllabus w e f june 2021 sem

solapur university admission 2023 courses fees result - Dec 08 2022

web new delhi solapur university is currently accepting applications for its ma m sc and llm courses for the academic session 2022 23 candidates can submit the online application form through the official portal su digitaluniversity ac the last date to apply is july 25 2022 solapur university offe

name of the faculty science technology choice based - Feb 10 2023

web name of the faculty science technology choice based credit system syllabus t y b tech civil engineering w e f academic year 2020 21 1 punyashlok ahilyadevi holkar solapur university solapur name of the faculty science technology choice based credit system syllabus

solapur university llb llm syllabus notes study material 2023 - Jun 02 2022

web in this article we will look at the latest 2023 2024 academic year solapur university su solapur 3 year and 5 year ll b syllabus notes study material and ll m syllabus for the university and it s affiliated or constituent law colleges

solapur university admission 2023 courses fees structure - Sep 05 2022

web sep 1 2023 solapur university time table 2022 hall ticket syllabus notification feb 24 2022 coa announces revised eligibility criteria for nata 2023 test 4 scheduled on sep 17 check details here