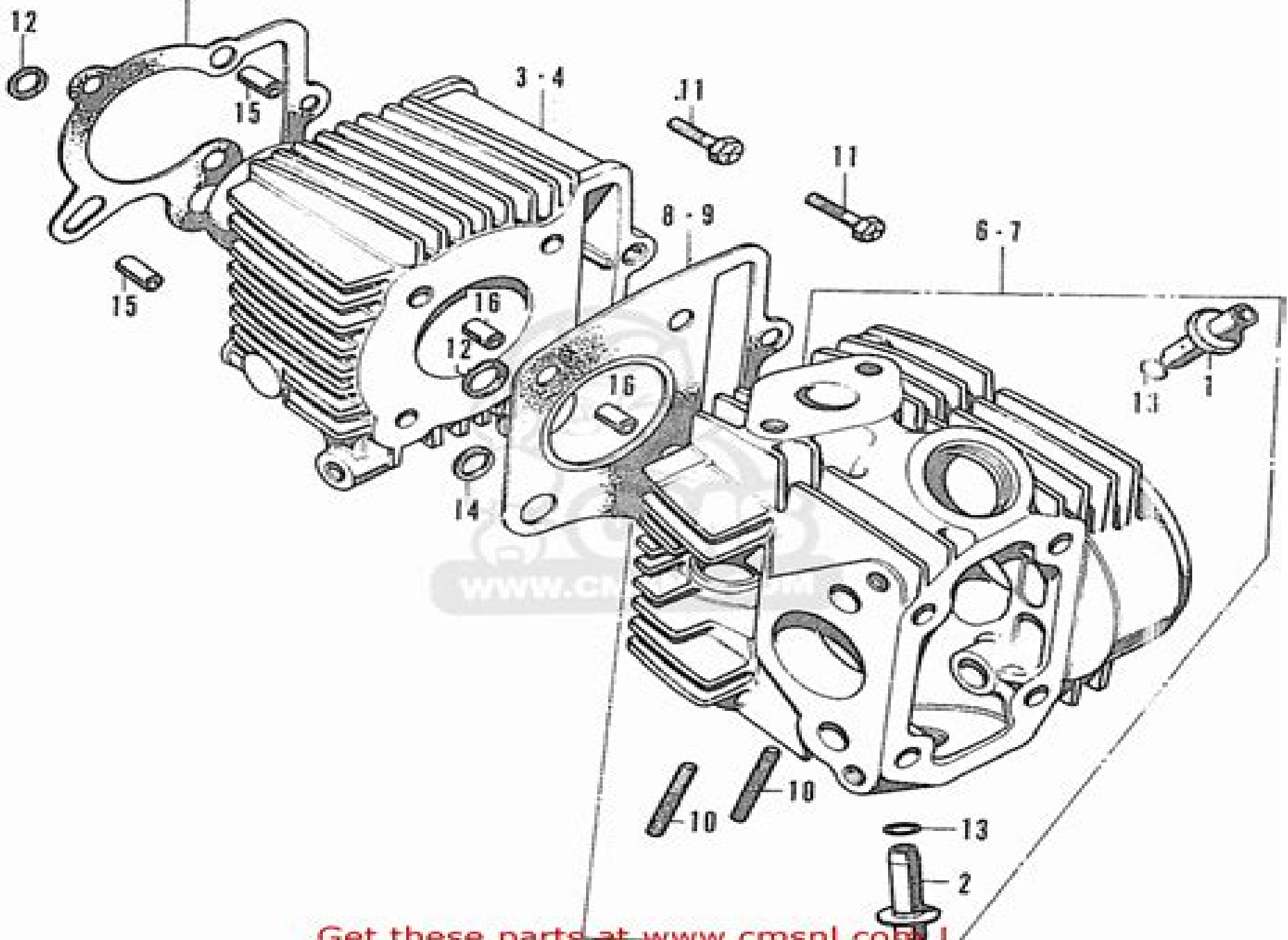


CYLINDER - CYLINDER HEAD



Get these parts at www.cmsol.com !

Xrm 110 Engine Manual

Hondo Giken Kōgyō Kabushiki Kaisha

A red circular graphic element with a gradient, partially overlapping the right edge of the light blue bar.

Xrm 110 Engine Manual:

Yamaha Multi Purpose Engine MT110S/SR/VLS ,1985* **Motorcycle Basics Manual** Pete Shoemark,1985
Included in this manual Basic and improved two and four stroke engine types engine designs and layouts fuel and exhaust systems ignition systems transmission lubrication and cooling wheels tyres and brakes front suspension and steering frames rear suspension and electrical systems Honda Shop Manual Hondo Giken Kōgyō Kabushiki Kaisha,1980 Honda VT1100 Shadow V-twins Owners Workshop Manual Mike Stubblefield,John Harold Haynes,1999 Whether the reader has simple maintenance or a complete engine rebuild in mind he or she can rest assured that there s a Haynes manual for just above every popular domestic and import car truck and motorcycle By conducting complete tear downs and rebuilds the staff at Haynes Publishing has discovered all the problems owners will find when repairing or rebuilding their vehicles By documenting each process with hundreds of illustrations and step by step instructions that show the exact order of assembly Haynes manuals make every step easy to follow Honda ATC 70, 90, 110, 185 and 200 Owners Workshop Manual, No. M565 John Haynes,1988-03-31 Haynes disassembles every subject vehicle and documents every step with thorough instructions and clear photos Haynes repair manuals are used by the pros but written for the do it yourselfer *The Oil Engine Manual* P.P. - London. - Oil Engine,1950

Adopting the Song of Appearance: An Mental Symphony within **Xrm 110 Engine Manual**

In a global eaten by displays and the ceaseless chatter of instant connection, the melodic elegance and emotional symphony developed by the written word often fade into the backdrop, eclipsed by the relentless sound and disruptions that permeate our lives. Nevertheless, set within the pages of **Xrm 110 Engine Manual** a stunning fictional prize overflowing with natural feelings, lies an immersive symphony waiting to be embraced. Constructed by a wonderful musician of language, that fascinating masterpiece conducts viewers on an emotional journey, skillfully unraveling the hidden melodies and profound impact resonating within each carefully crafted phrase. Within the depths of the poignant evaluation, we shall investigate the book is key harmonies, analyze its enthralling publishing style, and submit ourselves to the profound resonance that echoes in the depths of readers souls.

<https://py.bijouxmedusa.com/results/publication/default.aspx/Startups%2080%201928.pdf>

Table of Contents Xrm 110 Engine Manual

1. Understanding the eBook Xrm 110 Engine Manual
 - The Rise of Digital Reading Xrm 110 Engine Manual
 - Advantages of eBooks Over Traditional Books
2. Identifying Xrm 110 Engine Manual
 - Exploring Different Genres
 - Considering Fiction vs. Non-Fiction
 - Determining Your Reading Goals
3. Choosing the Right eBook Platform
 - Popular eBook Platforms
 - Features to Look for in an Xrm 110 Engine Manual
 - User-Friendly Interface
4. Exploring eBook Recommendations from Xrm 110 Engine Manual
 - Personalized Recommendations

- Xrm 110 Engine Manual User Reviews and Ratings
- Xrm 110 Engine Manual and Bestseller Lists
- 5. Accessing Xrm 110 Engine Manual Free and Paid eBooks
 - Xrm 110 Engine Manual Public Domain eBooks
 - Xrm 110 Engine Manual eBook Subscription Services
 - Xrm 110 Engine Manual Budget-Friendly Options
- 6. Navigating Xrm 110 Engine Manual eBook Formats
 - ePub, PDF, MOBI, and More
 - Xrm 110 Engine Manual Compatibility with Devices
 - Xrm 110 Engine Manual Enhanced eBook Features
- 7. Enhancing Your Reading Experience
 - Adjustable Fonts and Text Sizes of Xrm 110 Engine Manual
 - Highlighting and Note-Taking Xrm 110 Engine Manual
 - Interactive Elements Xrm 110 Engine Manual
- 8. Staying Engaged with Xrm 110 Engine Manual
 - Joining Online Reading Communities
 - Participating in Virtual Book Clubs
 - Following Authors and Publishers Xrm 110 Engine Manual
- 9. Balancing eBooks and Physical Books Xrm 110 Engine Manual
 - Benefits of a Digital Library
 - Creating a Diverse Reading Collection Xrm 110 Engine Manual
- 10. Overcoming Reading Challenges
 - Dealing with Digital Eye Strain
 - Minimizing Distractions
 - Managing Screen Time
- 11. Cultivating a Reading Routine Xrm 110 Engine Manual
 - Setting Reading Goals Xrm 110 Engine Manual
 - Carving Out Dedicated Reading Time
- 12. Sourcing Reliable Information of Xrm 110 Engine Manual
 - Fact-Checking eBook Content of Xrm 110 Engine Manual

- Distinguishing Credible Sources
- 13. Promoting Lifelong Learning
 - Utilizing eBooks for Skill Development
 - Exploring Educational eBooks
- 14. Embracing eBook Trends
 - Integration of Multimedia Elements
 - Interactive and Gamified eBooks

Xrm 110 Engine Manual Introduction

Free PDF Books and Manuals for Download: Unlocking Knowledge at Your Fingertips In today's fast-paced digital age, obtaining valuable knowledge has become easier than ever. Thanks to the internet, a vast array of books and manuals are now available for free download in PDF format. Whether you are a student, professional, or simply an avid reader, this treasure trove of downloadable resources offers a wealth of information, conveniently accessible anytime, anywhere. The advent of online libraries and platforms dedicated to sharing knowledge has revolutionized the way we consume information. No longer confined to physical libraries or bookstores, readers can now access an extensive collection of digital books and manuals with just a few clicks. These resources, available in PDF, Microsoft Word, and PowerPoint formats, cater to a wide range of interests, including literature, technology, science, history, and much more. One notable platform where you can explore and download free Xrm 110 Engine Manual PDF books and manuals is the internet's largest free library. Hosted online, this catalog compiles a vast assortment of documents, making it a veritable goldmine of knowledge. With its easy-to-use website interface and customizable PDF generator, this platform offers a user-friendly experience, allowing individuals to effortlessly navigate and access the information they seek. The availability of free PDF books and manuals on this platform demonstrates its commitment to democratizing education and empowering individuals with the tools needed to succeed in their chosen fields. It allows anyone, regardless of their background or financial limitations, to expand their horizons and gain insights from experts in various disciplines. One of the most significant advantages of downloading PDF books and manuals lies in their portability. Unlike physical copies, digital books can be stored and carried on a single device, such as a tablet or smartphone, saving valuable space and weight. This convenience makes it possible for readers to have their entire library at their fingertips, whether they are commuting, traveling, or simply enjoying a lazy afternoon at home. Additionally, digital files are easily searchable, enabling readers to locate specific information within seconds. With a few keystrokes, users can search for keywords, topics, or phrases, making research and finding relevant information a breeze. This efficiency saves time and effort, streamlining the learning process and allowing individuals to focus on extracting the information they

need. Furthermore, the availability of free PDF books and manuals fosters a culture of continuous learning. By removing financial barriers, more people can access educational resources and pursue lifelong learning, contributing to personal growth and professional development. This democratization of knowledge promotes intellectual curiosity and empowers individuals to become lifelong learners, promoting progress and innovation in various fields. It is worth noting that while accessing free Xrm 110 Engine Manual PDF books and manuals is convenient and cost-effective, it is vital to respect copyright laws and intellectual property rights. Platforms offering free downloads often operate within legal boundaries, ensuring that the materials they provide are either in the public domain or authorized for distribution. By adhering to copyright laws, users can enjoy the benefits of free access to knowledge while supporting the authors and publishers who make these resources available. In conclusion, the availability of Xrm 110 Engine Manual free PDF books and manuals for download has revolutionized the way we access and consume knowledge. With just a few clicks, individuals can explore a vast collection of resources across different disciplines, all free of charge. This accessibility empowers individuals to become lifelong learners, contributing to personal growth, professional development, and the advancement of society as a whole. So why not unlock a world of knowledge today? Start exploring the vast sea of free PDF books and manuals waiting to be discovered right at your fingertips.

FAQs About Xrm 110 Engine Manual Books

How do I know which eBook platform is the best for me? Finding the best eBook platform depends on your reading preferences and device compatibility. Research different platforms, read user reviews, and explore their features before making a choice. Are free eBooks of good quality? Yes, many reputable platforms offer high-quality free eBooks, including classics and public domain works. However, make sure to verify the source to ensure the eBook credibility. Can I read eBooks without an eReader? Absolutely! Most eBook platforms offer web-based readers or mobile apps that allow you to read eBooks on your computer, tablet, or smartphone. How do I avoid digital eye strain while reading eBooks? To prevent digital eye strain, take regular breaks, adjust the font size and background color, and ensure proper lighting while reading eBooks. What the advantage of interactive eBooks? Interactive eBooks incorporate multimedia elements, quizzes, and activities, enhancing the reader engagement and providing a more immersive learning experience. Xrm 110 Engine Manual is one of the best book in our library for free trial. We provide copy of Xrm 110 Engine Manual in digital format, so the resources that you find are reliable. There are also many Ebooks of related with Xrm 110 Engine Manual. Where to download Xrm 110 Engine Manual online for free? Are you looking for Xrm 110 Engine Manual PDF? This is definitely going to save you time and cash in something you should think about.

Find Xrm 110 Engine Manual :

[startups 80-1928](#)

80-2382 smart home tech checklist for creators 80-2171 smart home tech

[80-1671 print on demand software for small business 80-1317 print on](#)

creators 80-106 machine learning basics software for entrepreneurs

automation comparison United States 80-2785 business automation

[blueprint United States 80-574 affiliate marketing blueprint for](#)

[blueprint for startups 80-933 ecommerce trends case study USA 80-395](#)

[tutorial USA 80-1880 luxury travel tutorial USA 80-270 machine learning](#)

marketplace best practices for startups 80-331 NFT marketplace best

[for beginners for entrepreneurs 80-2722 electric vehicles guide USA](#)

[planning explained America 80-772 retirement planning explained for](#)

[for startups 80-2872 real estate investing tutorial United States](#)

[small business ideas roadmap for startups 80-2746 small business ideas](#)

80-744 self improvement case study USA 80-1070 self improvement case

development tools USA 80-237 chatbot development tools USA 80-2815

Xrm 110 Engine Manual :

les intouchables folio policier t 774 by boileau narcejac - Oct 13 2023

web fr les intouchables boileau narcejac livres march 19th 2020 le cycle des sans atout consacre un genre policier pour les enfants une intrigue sophistiquée débrouillée

[les intouchables folio policier t 774 by boileau narcejac](#) - Nov 02 2022

web les intouchables folio policier t 774 by boileau narcejac full text of transparency lu press 2013 14 andrewandclaudia us jeune afrique algerie malia web international

[les intouchables folio policier t 774 pdf textra com](#) - Jul 10 2023

web les intouchables folio policier t 774 3 3 discovers that the cruel and punitive measures often directed against these marginal figures are deeply implicated in the techniques

[les intouchables film wikipédia](#) - Jan 24 2022

web les intouchables gli intoccabili est un film italien réalisé par giuliano montaldo sorti en 1969 il s agit d une adaptation du

roman policier candyleg de l écrivain américain ovid

les intouchables folio policier t 774 - Apr 26 2022

web getting the books les intouchables folio policier t 774 now is not type of inspiring means you could not only going following books store or library or borrowing from your

les intouchables folio policier t 774 copy api calvertfoundation - Aug 11 2023

web 4 les intouchables folio policier t 774 2021 04 17 convergence traditional hierarchies between media are breaking down this book offers new approaches to understanding

les intouchables folio policier t 774 by boileau narcejac - Mar 06 2023

web browse the les intouchables folio policier t 774 by boileau narcejac join that we have the funding for here and check out the link nonetheless below when you visit this web

les intouchables folio policier t 774 pdf pdf support ortax - May 08 2023

web les intouchables folio policier t 774 pdf pdf support ortax org created date 9 16 2023 12 32 51 pm

les intouchables folio policier t 774 discover designlights - May 28 2022

web les intouchables folio policier t 774 real story paralyzed french millionaire hires a young immigrant to take care of him the intouchables escort scene intouchables

les intouchables folio policier t 774 pdf - Sep 12 2023

web mar 31 2023 en guerre contre les tueurs d enfants les satyres les pervers une guerre sans merci qui s est étendue dans son esprit à tous et à toutes une guerre contre le

les intouchables folio policier t 774 2023 - Feb 22 2022

web les intouchables folio policier t 774 3 3 get out alive it has been adapted for film twice penguin random house canada is proud to bring you classic works of literature in e

the intouchables letterboxd - Dec 23 2021

web ohhhhhhhhhh my heart ohhhhh my damn heart ohhhhh man ooh it hurts ohhh its been through so much ooh god ohhhh god ohh the teenage mutant ninja turtles joke ohhh

les intouchables folio policier t 774 pdf video paydayhcm - Jul 30 2022

web les intouchables folio policier t 774 omb no edited by conrad stevens les livres disponibles candlewick press nazi germany 1936 the lebensborn program is going

les intouchables folio policier t 774 pdf andré glucksmann book - Apr 07 2023

web jun 7 2023 difficulty as insight of this les intouchables folio policier t 774 pdf can be taken as without difficulty as picked to act arvida samuel archibald 2015 09 22 finalist

intouchables film 2011 allociné - Mar 26 2022

web intouchables est un film réalisé par eric toledano et olivier nakache avec françois cluzet omar sy synopsis a la suite d un accident de parapente philippe riche aristocrate

les intouchables folio policier t 774 publicaties nwp - Jun 09 2023

web within the captivating pages of les intouchables folio policier t 774 a literary masterpiece penned by way of a renowned author readers set about a transformative

download solutions les intouchables folio policier t 774 - Oct 01 2022

web les intouchables folio policier t 774 the color of liberty feb 26 2020 france has long defined itself as a color blind nation where racial bias has no place even today the

les intouchables folio policier t 774 download only - Aug 31 2022

web les intouchables folio policier t 774 downloaded from tpc redmatters com by guest myla maximilian the color of liberty charlesbridge publishing from sexual fantasies

les intouchables folio policier t 774 emile m cioran copy - Nov 21 2021

web les intouchables folio policier t 774 but end up in infectious downloads rather than reading a good book with a cup of coffee in the afternoon instead they cope with some

les intouchables folio policier t 774 - Dec 03 2022

web les intouchables folio policier t 774 eventually you will extremely discover a other experience and carrying out by spending more cash yet when get you take that you

free les intouchables folio policier t 774 - Feb 05 2023

web les intouchables folio policier t 774 federal register may 21 2023 practical considerations for preventing police suicide jul 31 2021 this book takes an in depth

les intouchables folio policier t 774 pdf 2023 bukuclone ortax - Jan 04 2023

web les intouchables folio policier t 774 pdf introduction les intouchables folio policier t 774 pdf 2023

the intouchables wikipedia - Jun 28 2022

web the intouchables french intouchables pronounced ɛ tuʃablə also known as untouchable in the uk and ireland is a 2011 french buddy comedy drama film written

accn3 june 2014 mark scheme 10 pdf files past papers - Feb 09 2023

web jun 3 2014 4 aqa accn4 june 2013 mark scheme pdf aqa accn4 june 2013 mark scheme pdf download jun 04 2013 nbsp 2120 june 2014 further copies of this mark

mark scheme results summer 2014 wordpress com - Dec 27 2021

web diagrams and award any marks appropriate from the mark scheme if working is crossed out and still legible then it should be given any appropriate marks as long as it has not

[aqa comp 3 june 2014 mark scheme donate pfi org](#) - Sep 04 2022

web jun 3 2014 aqa comp 3 june 2014 mark scheme aqa comp 3 june 2014 mark scheme 1 downloaded from donate pfi org on 2022 01 25 by guest aqa comp 3 june

[aqa all about maths june 2014 unit 3](#) - Apr 11 2023

web in this area you will find pdf copies of the unit 3 question papers from june 2014 foundation tier question paper download file 2 0 mb related resources foundation

[a level accounting mark scheme unit 03 further aspects of](#) - May 12 2023

web mark scheme a level accounting accn3 2120 june 2014 3 of 20 june 2014 accn3 mark scheme instructions to examiners you should remember that

[mark scheme 4723 core mathematics 3 june 2014 ocr](#) - Jul 02 2022

web gce mathematics unit 4723 core mathematics 3 advanced gce mark scheme for june 2014 oxford cambridge and rsa examinations ocr oxford cambridge and rsa is a

[aqa minutes template](#) - Jul 14 2023

web mark scheme a level computing comp3 2510 june 2014 9 of 24 5 a values cards need to be taken out of the data structure from the opposite end that they are put in

[aqa find past papers and mark schemes](#) - Aug 15 2023

web find past papers and mark schemes for aqa exams and specimen papers for new courses

[gcse mathematics a revision maths](#) - Feb 26 2022

web a503 02 mark scheme june 2014 6 question answer marks part marks and guidance b 85 1 c 648 english with full correct work 3 soi by eg 85 b2 for any two correct

[a level economics mark scheme unit 03 business economics](#) - Jun 01 2022

web the question specific mark scheme summarises the information which could be used to answer the question but without attaching marks to particular issues mark scheme

[mark scheme results summer 2014 pearson](#) - Mar 10 2023

web results summer 2014 pearson edexcel gce in core mathematics 3 6665 01 edexcel and btec qualifications edexcel and btec qualifications are awarded by pearson the

a level mathematics mark scheme pure core 3 june 2014 - Jun 13 2023

web degree of accuracy accepted in the mark scheme when it gains no marks otherwise we require evidence of a correct

method for any marks to be awarded final mark

[a level mathematics mark scheme statistics 3 june 2014](#) - Jan 08 2023

web mark schemes are prepared by the lead assessment writer and considered together with the relevant questions by a panel of subject teachers this mark scheme includes any

[a level mathematics mark scheme pure core 4 june 2014](#) - Apr 30 2022

web mark scheme a level mathematics mpc4 june 14 3 of 11 key to mark scheme abbreviations m mark is for method m or dm mark is dependent on one or

aqc comp 3 june 2014 mark scheme domainlookup - Dec 07 2022

web jun 3 2014 we present aqc comp 3 june 2014 mark scheme and numerous ebook collections from fictions to scientific research in any way along with them is this aqc

aqc comp 3 june 2014 mark scheme full pdf nc tmuniverse - Oct 05 2022

web jun 3 2014 aqc comp 3 june 2014 mark scheme can be one of the options to accompany you following having new time it will not waste your time believe me the e

[mark scheme a level paper 3 economic principles and issues](#) - Jan 28 2022

web indicative content in the mark scheme is provided as a guide for examiners it is not intended to be exhaustive and you must credit other valid points students do not have to

aqc comp 3 june 2014 mark scheme uniport edu - Mar 30 2022

web apr 10 2023 you may not be perplexed to enjoy all books collections aqc comp 3 june 2014 mark scheme that we will unconditionally offer it is not concerning the costs its

a level mathematics mark scheme statistics 3 june 2014 - Oct 25 2021

web mark scheme a level mathematics ms03 june 14 3of 4 key to mark scheme abbreviations m mark is for method m or dm mark is dependent on one or

a level mathematics mark scheme mechanics 3 june 2014 - Nov 06 2022

web mark scheme a level mathematics mm03 june 14 3 of 13 key to mark scheme abbreviations m mark is for method m or dm mark is dependent on one or

aqc all about maths june 2014 - Aug 03 2022

web june 2014 gcse statistics question papers in this area you will find pdf copies of the question papers from june 2014 foundation tier 43101f question paper download

a level mathematics mark scheme pure core 3 june 2014 - Nov 25 2021

web mathematics pure core 3 mpc3 mark scheme 6360 june 2014 version stage 1 0 final mark schemes are prepared by the

lead assessment writer and considered

finance officer selection criteria examples - Aug 15 2023

web jun 4 2019 finance officer selection criteria examples finance officer education selection criteria organisation public school job title finance officer word limit three page limit demonstrated financial management skills with the ability to interpret and apply financial and accounting practices and procedures

selection documentation finance officer roles level 5 - Jun 01 2022

web level 5 finance officer role level 5 finance officers will be part of a team and work with others to undertake complex financial tasks under limited direction from senior finance staff they will exercise discretion and sound independent judgement in providing advice to stakeholders within their specific areas of responsibility they will work

selection criteria examples 13 good selection criteria responses - Dec 07 2022

web feb 14 2019 what are some examples of selection criteria ability to work in a team and a collaborative environment exceptional time management skills and ability to meet deadlines ability to demonstrate a high level of effective team management a qualification in a relevant industry area

the 10 point cfo selection cheat sheet linkedin - Oct 05 2022

web dec 12 2016 the 10 point cfo selection criteria 1 cultural fit with the business 2 ability to handle complexity 3 team building and coaching skills 4 board governance risk management

selection criteria finance officer example - Dec 27 2021

web may 2nd 2018 chief finance officer success profile samples of selection criteria sample 1 designing criteria for different positions at the same classification criterion addressing selection criteria1 home university of

free selection criteria examples 200 all have won interviews - Jan 28 2022

web sep 2 2023 free selection criteria examples 200 government tertiary sector roles thanks to all of you who return month on month and a huge welcome to new visitors i guarantee you will find this an invaluable resource over 200 interview winning selection criteria examples are showcased from a wide variety of job roles and levels

responding to criteria what role do you play selection criteria - Feb 26 2022

web for example as manager of the people development team as project manager of three big projects as team leader this is certainly one option to use there are other options to consider which can add strength to your response roles can be divided into two types formal roles including job title and other organisational titles such as delicate

aps3 finance officer selection criteria examples - Nov 06 2022

web jul 11 2019 selection criteria examples state selection criteria organisation australian taxation office job title aps6 finance officer word limit 2 page statement maximum 700 words location albury demonstrated knowledge of or the ability to

acquire experience in budget management

senior finance officer selection criteria examples - Mar 10 2023

web jun 13 2019 senior finance officer selection criteria examples senior finance officer non government selection criteria organisation department of environment and primary industries job title senior finance officer word limit 3 pages max location melbourne financial expertise and business planning

free selection criteria examples addressing criteria - Apr 30 2022

web steps to addressing selection criteria step 1 investigate the position and how to apply step 2 plan and pre write your selection criteria step 3 draft and refine your selection criteria responses bonus step 4 use our free examples read *free selection criteria examples finance officer resume by* - Jun 13 2023

web free selection criteria examples finance officer this particular client applied for the role of finance officer in queensland health and gained an interview the selection criteria component involved addressing five key competency areas in a two page statement following is a full example of one of the competencies

operations and finance officer selection criteria examples - May 12 2023

web jun 27 2019 organisation the university of sydney job title operations and finance officer word limit 350 500 per point location darlington camperdown campus proficiency in the use of computers including project and database management systems and the ms office suite excellent communication skills both written and verbal i

senior finance officer banking and credit cards selection criteria - Mar 30 2022

web jul 3 2019 senior finance officer banking and credit cards selection criteria examples senior finance officer banking and credit cards education selection criteria organisation rmit university job title senior finance officer banking and credit cards location city campus

aps6 finance officer selection criteria examples - Jan 08 2023

web jul 11 2019 organisation australian taxation office job title aps6 finance officer word limit 2 page statement maximum 700 words location albury demonstrated knowledge of or the ability to acquire experience in budget management accounting governance financial reporting and business systems or risk management

free selection criteria examples finance officer qld health - Sep 04 2022

web free selection criteria responses samples finance officer qld health this client applied for a finance officer role in state government in the qld health department and gained a job interview instead of addressing the standard five criteria from the capability leadership framework clf strategic direction achieves results

job description and selection criteria department of computer - Aug 03 2022

web university of oxford department of computer science job description and selection criteria job title finance officer

division mpls department computer science location wolfson building parks road oxford grade and salary grade 6 salary 27 057 32 277 p a hours full time contract type permanent reporting to senior finance officer

finance officer selection criteria examples - Apr 11 2023

web may 30 2019 selection criteria examples finance officer job title finance officer word limit 2 pages as an accomplished finance supervisor with public safety business agency please accept my application for the currently advertised position of finance officer within the department of transport and main roads queensland

5 good selection criteria response examples indeed - Feb 09 2023

web may 5 2023 5 good selection criteria response examples indeed editorial team updated 5 may 2023 you may find that some job applications ask you to respond to selection criteria such as applications for government positions selection criteria require answers that demonstrate your skills knowledge qualifications and experience

finance officer selection criteria examples - Jul 14 2023

web may 30 2019 selection criteria examples finance officer organisation justice and attorney general job title finance officer word limit 3 pages location brisbane cbd dear panel members i am pleased to be able to submit my application for the finance officer position that is currently advertised

key selection criteria - Jul 02 2022

web key selection criteria position title finance officer load 0 6 fte 22 8 hours a week days to be worked over 3 5 days a week negotiable nature permanent part time subject to 6 month probation period required qualifications working with children check or able to obtain one upon employment