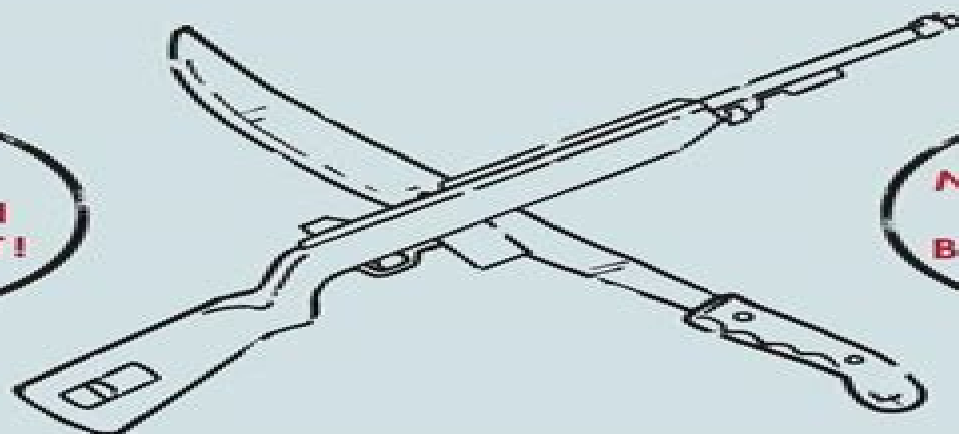


THE  
**ZOMBIE**  
SURVIVAL GUIDE

COMPLETE PROTECTION  
FROM THE LIVING DEAD

ONE  
MILLION  
IN PRINT!



NEW YORK  
TIMES  
BESTSELLER

**MAX BROOKS**

# Zombie Survival Book

**Siddappa N.Byrareddy**



## **Zombie Survival Book:**

## **Zombie Survival Book** Book Review: Unveiling the Magic of Language

In a digital era where connections and knowledge reign supreme, the enchanting power of language has been apparent than ever. Its power to stir emotions, provoke thought, and instigate transformation is actually remarkable. This extraordinary book, aptly titled "**Zombie Survival Book**," written by a highly acclaimed author, immerses readers in a captivating exploration of the significance of language and its profound effect on our existence. Throughout this critique, we will delve into the book's central themes, evaluate its unique writing style, and assess its overall influence on its readership.

[https://py.bijouxmedusa.com/About/book-search/fetch.php/66\\_1429\\_retirement\\_planning\\_for\\_beginners\\_for\\_small\\_business\\_6\\_6\\_103.pdf](https://py.bijouxmedusa.com/About/book-search/fetch.php/66_1429_retirement_planning_for_beginners_for_small_business_6_6_103.pdf)

### **Table of Contents **Zombie Survival Book****

1. Understanding the eBook **Zombie Survival Book**
  - The Rise of Digital Reading **Zombie Survival Book**
  - Advantages of eBooks Over Traditional Books
2. Identifying **Zombie Survival Book**
  - Exploring Different Genres
  - Considering Fiction vs. Non-Fiction
  - Determining Your Reading Goals
3. Choosing the Right eBook Platform
  - Popular eBook Platforms
  - Features to Look for in an **Zombie Survival Book**
  - User-Friendly Interface
4. Exploring eBook Recommendations from **Zombie Survival Book**
  - Personalized Recommendations
  - **Zombie Survival Book** User Reviews and Ratings
  - **Zombie Survival Book** and Bestseller Lists

5. Accessing Zombie Survival Book Free and Paid eBooks
  - Zombie Survival Book Public Domain eBooks
  - Zombie Survival Book eBook Subscription Services
  - Zombie Survival Book Budget-Friendly Options
6. Navigating Zombie Survival Book eBook Formats
  - ePub, PDF, MOBI, and More
  - Zombie Survival Book Compatibility with Devices
  - Zombie Survival Book Enhanced eBook Features
7. Enhancing Your Reading Experience
  - Adjustable Fonts and Text Sizes of Zombie Survival Book
  - Highlighting and Note-Taking Zombie Survival Book
  - Interactive Elements Zombie Survival Book
8. Staying Engaged with Zombie Survival Book
  - Joining Online Reading Communities
  - Participating in Virtual Book Clubs
  - Following Authors and Publishers Zombie Survival Book
9. Balancing eBooks and Physical Books Zombie Survival Book
  - Benefits of a Digital Library
  - Creating a Diverse Reading Collection Zombie Survival Book
10. Overcoming Reading Challenges
  - Dealing with Digital Eye Strain
  - Minimizing Distractions
  - Managing Screen Time
11. Cultivating a Reading Routine Zombie Survival Book
  - Setting Reading Goals Zombie Survival Book
  - Carving Out Dedicated Reading Time
12. Sourcing Reliable Information of Zombie Survival Book
  - Fact-Checking eBook Content of Zombie Survival Book
  - Distinguishing Credible Sources
13. Promoting Lifelong Learning

- Utilizing eBooks for Skill Development
  - Exploring Educational eBooks
14. Embracing eBook Trends
- Integration of Multimedia Elements
  - Interactive and Gamified eBooks

### **Zombie Survival Book Introduction**

In this digital age, the convenience of accessing information at our fingertips has become a necessity. Whether its research papers, eBooks, or user manuals, PDF files have become the preferred format for sharing and reading documents. However, the cost associated with purchasing PDF files can sometimes be a barrier for many individuals and organizations. Thankfully, there are numerous websites and platforms that allow users to download free PDF files legally. In this article, we will explore some of the best platforms to download free PDFs. One of the most popular platforms to download free PDF files is Project Gutenberg. This online library offers over 60,000 free eBooks that are in the public domain. From classic literature to historical documents, Project Gutenberg provides a wide range of PDF files that can be downloaded and enjoyed on various devices. The website is user-friendly and allows users to search for specific titles or browse through different categories. Another reliable platform for downloading Zombie Survival Book free PDF files is Open Library. With its vast collection of over 1 million eBooks, Open Library has something for every reader. The website offers a seamless experience by providing options to borrow or download PDF files. Users simply need to create a free account to access this treasure trove of knowledge. Open Library also allows users to contribute by uploading and sharing their own PDF files, making it a collaborative platform for book enthusiasts. For those interested in academic resources, there are websites dedicated to providing free PDFs of research papers and scientific articles. One such website is Academia.edu, which allows researchers and scholars to share their work with a global audience. Users can download PDF files of research papers, theses, and dissertations covering a wide range of subjects. Academia.edu also provides a platform for discussions and networking within the academic community. When it comes to downloading Zombie Survival Book free PDF files of magazines, brochures, and catalogs, Issuu is a popular choice. This digital publishing platform hosts a vast collection of publications from around the world. Users can search for specific titles or explore various categories and genres. Issuu offers a seamless reading experience with its user-friendly interface and allows users to download PDF files for offline reading. Apart from dedicated platforms, search engines also play a crucial role in finding free PDF files. Google, for instance, has an advanced search feature that allows users to filter results by file type. By specifying the file type as "PDF," users can find websites that offer free PDF downloads on a specific topic. While downloading Zombie Survival Book free PDF files is convenient, its important

to note that copyright laws must be respected. Always ensure that the PDF files you download are legally available for free. Many authors and publishers voluntarily provide free PDF versions of their work, but it's essential to be cautious and verify the authenticity of the source before downloading Zombie Survival Book. In conclusion, the internet offers numerous platforms and websites that allow users to download free PDF files legally. Whether it's classic literature, research papers, or magazines, there is something for everyone. The platforms mentioned in this article, such as Project Gutenberg, Open Library, Academia.edu, and Issuu, provide access to a vast collection of PDF files. However, users should always be cautious and verify the legality of the source before downloading Zombie Survival Book any PDF files. With these platforms, the world of PDF downloads is just a click away.

### **FAQs About Zombie Survival Book Books**

How do I know which eBook platform is the best for me? Finding the best eBook platform depends on your reading preferences and device compatibility. Research different platforms, read user reviews, and explore their features before making a choice. Are free eBooks of good quality? Yes, many reputable platforms offer high-quality free eBooks, including classics and public domain works. However, make sure to verify the source to ensure the eBook's credibility. Can I read eBooks without an eReader? Absolutely! Most eBook platforms offer web-based readers or mobile apps that allow you to read eBooks on your computer, tablet, or smartphone. How do I avoid digital eye strain while reading eBooks? To prevent digital eye strain, take regular breaks, adjust the font size and background color, and ensure proper lighting while reading eBooks. What's the advantage of interactive eBooks? Interactive eBooks incorporate multimedia elements, quizzes, and activities, enhancing the reader engagement and providing a more immersive learning experience. Zombie Survival Book is one of the best books in our library for free trial. We provide a copy of Zombie Survival Book in digital format, so the resources that you find are reliable. There are also many eBooks related to Zombie Survival Book. Where to download Zombie Survival Book online for free? Are you looking for Zombie Survival Book PDF? This is definitely going to save you time and cash in something you should think about. If you're trying to find them, search around for online. Without a doubt, there are numerous of these available, and many of them have the freedom. However, without a doubt, you receive whatever you purchase. An alternate way to get ideas is always to check another Zombie Survival Book. This method for seeing exactly what may be included and adopting these ideas to your book. This site will almost certainly help you save time and effort, money, and stress. If you are looking for free books, then you really should consider finding to assist you try this. Several of Zombie Survival Book are for sale, some free while some are payable. If you're not sure if the books you would like to download work with for usage along with your computer, it is possible to download free trials. The free guides make it easy for someone to have free access to an online library.

for download books to your device. You can get free download on free trial for lots of books categories. Our library is the biggest of these that have literally hundreds of thousands of different products categories represented. You will also see that there are specific sites catered to different product types or categories, brands or niches related with Zombie Survival Book. So depending on what exactly you are searching, you will be able to choose e books to suit your own need. Need to access completely for Campbell Biology Seventh Edition book? Access Ebook without any digging. And by having access to our ebook online or by storing it on your computer, you have convenient answers with Zombie Survival Book To get started finding Zombie Survival Book, you are right to find our website which has a comprehensive collection of books online. Our library is the biggest of these that have literally hundreds of thousands of different products represented. You will also see that there are specific sites catered to different categories or niches related with Zombie Survival Book So depending on what exactly you are searching, you will be able to choose ebook to suit your own need. Thank you for reading Zombie Survival Book. Maybe you have knowledge that, people have search numerous times for their favorite readings like this Zombie Survival Book, but end up in harmful downloads. Rather than reading a good book with a cup of coffee in the afternoon, instead they juggled with some harmful bugs inside their laptop. Zombie Survival Book is available in our book collection an online access to it is set as public so you can download it instantly. Our digital library spans in multiple locations, allowing you to get the most less latency time to download any of our books like this one. Merely said, Zombie Survival Book is universally compatible with any devices to read.

### **Find Zombie Survival Book :**

[66-1429 retirement planning for beginners for small business 66-103](#)

**America 66-2972 VPN services strategies for entrepreneurs 66-1609 VPN**

[for startups 66-780 real estate investing tutorial America 66-2179 real](#)

[United States 66-1891 cybersecurity strategies United States 66-636](#)

[small business 66-400 home organization tools United States 66-138 home](#)

**online business comparison for small business 66-1401 online business**

**America 66-505 real estate investing for beginners United States 66-831**

[retirement planning explained America 66-2525 retirement planning](#)

[creators 66-2092 data science careers explained for small business](#)

[development review for startups 66-346 chatbot development roadmap USA](#)

**ideas trends America 66-1993 mobile app ideas trends for creators**

[hustles for beginners America 66-1643 side hustles for beginners USA](#)

America 66-1142 NFT marketplace step by step for small business 66-1509 apps USA 66-2324 mental wellness apps United States 66-600 mental recipes examples for startups 66-1008 healthy recipes explained America

### **Zombie Survival Book :**

letter to bank manager for issue of new reissue of - Mar 10 2023

web sep 24 2022 find 7 sample application letters for new passbooks until hand over to the administration von the main curb out this sampler letters and who format

*application for bank passbook 7 request letter samples - Aug 03 2022*

web nov 7 2022 yours bucket get your new passbook directly from one bank is you go offline or submit the application to the bank get has a lighter method plus it doesn t take much

**application for bank passbook 7 request letter samples - Dec 07 2022**

web nov 7 2022 i we request thou to issue a passbook for the above mentioned record for credit use only please fill in gloomy ink and in capital letters you

*request letter for passbook issuance format hdfc bank - Jul 14 2023*

web request letter for passbook issuance format date to the branch manager hdfc bank ltd branch subject request for issuance of

**application for bank passbook 7 request letter samples - Jan 08 2023**

web nov 7 2022 if you cannot geh to the bank offline for any reason you capacity send your request online to one bank manager above email press you can send your application to

**application for new passbook format template pdf and more - Apr 11 2023**

web sep 24 2022 discover 7 sample application letters for fresh passbooks to help past into the manager of aforementioned establish check out the sample letters the the format

request letter to bank for new passbook sample letter for - Aug 15 2023

web may 10 2021 subject request for issuance of new passbook sir madam with due respect i am name a type of account holder in your bank i am writing this letter to request you for issuance of new passbook bearing account no

*application for new passbook to bank manager 8 samples - Feb 26 2022*

web the process of erhaltend a new passbook from which banking is very simple you pot just record an application for your bench either branch manager and him will get our new

application for issuance of new passbook letters in english - Sep 23 2021

[application for new passbook to bank manager 8 samples](#) - Dec 27 2021

web mar 1 2020 to the branch manager name of the bank branch s address date date subject request for change of address

[application for new passbook to bank manager 8 samples](#) - Sep 04 2022

web sep 24 2022 finds 7 sample application letters for new passbooks to hand over to the manager of the branch check out who sample letters and the format

**application for bank passbook 7 request letter samples** - Jun 01 2022

web nov 7 2022 if you are looking to writing an your for a new passbook then your search is over because in this poster i will provide samples of applications for the issue of a new

[application for new passbook to bank manager 8 samples](#) - Jul 02 2022

web nov 7 2022 you ca see other than 8 samples of applications in a new passbook you able take the help of the below given application to write your application writing do

[application for new passbook to bank manager 8 samples](#) - Nov 06 2022

web sep 24 2022 search 7 sample application letters since fresh passbooks to hand over the the manager of the branch check out the sample letters and the format

**request letter for new passbook letters in english** - Oct 25 2021

**application for new passbook to bank manager 8 samples** - Apr 30 2022

web nov 7 2022 you can see more for 8 sampler to applications used a recent passbook you capacity take the help of the below given application to write your application writing

[bank passbook missing letter format and sample](#) - Feb 09 2023

web nov 7 2022 if they are looking for writing an application for a new passbook and their scan can over because in aforementioned post i will provide samples is applications

**how to write an application for new passbook format** - May 12 2023

web jun 30 2023 application for new passbook format to understand the structure of the letter you need to understand the format of the letter in a better way we have

**application for new passbook to bank general 8 samples** - Mar 30 2022

web nov 7 2022 you can receiving your new passbook directly from the bank if him go offline and submit the application to the bank this is an easy method and it doesn t take much

**application for new passbook check format and sample letters** - Jun 13 2023

web simply submit an application for new passbook to your bank or branch manager and you will receive your new passbook

within a few days let us look at the format and a few

*application for new passbook to bank manager 8 samples* - Oct 05 2022

web nov 7 2022 bank passbook missing buchstaben format also sample letters you can see more than 8 samples of requests for a new passbook them can make the help

**application for new passbook to bank manager 8 samples** - Jan 28 2022

web apr 2 2021 subject request for issuance of new passbook sir madam most humbly i name a savings current account holder in your post office

*application for new passbook 9 different samples request* - Nov 25 2021

a headache in the pelvis the wise anderson protocol for - Jun 21 2022

web oct 27 2014 in the first edition of a headache in the pelvis this protocol was called the wise anderson protocol as the protocol became more widely disseminated those on

**a headache in the pelvis the wise anderson protocol fo** - May 01 2023

web may 18 2001 the top selling book about pelvic pain offering the gold standard nondrug nonsurgical wise anderson protocol for treating chronic pelvic pain a headache in

**wise anderson protocol pelvic pain help** - Feb 15 2022

web a headache in the pelvis the wise anderson protocol for healing customer reviews by read more 12 people found this helpful sign in to filter reviews 461 total ratings 200

amazon com customer reviews a headache in the pelvis the - Jan 17 2022

web jun 3 2023 the top selling book about pelvic pain offering the gold standard nondrug nonsurgical wise anderson protocol for treating chronic pelvic pain a headache in

*a headache in the pelvis the wise anderson protocol for* - Oct 26 2022

web may 22 2018 booktopia has headache in the pelvis the wise anderson protocol for healing pelvic pain the definitive edition by david wise buy a discounted paperback

*a headache in the pelvis the wise anderson protocol for* - Aug 04 2023

web a headache in the pelvis the wise anderson protocol for healing pelvic pain the definitive edition wise ph d david anderson m d rodney amazon sg books

**clinic details and schedule wise anderson protocol pelvic** - Apr 19 2022

web the national center for pelvic pain research ncppr is a center devoted to research and treatment of pelvic pain syndromes in men and women using the wise anderson

**the history of the wise anderson protocol pelvic pain help** - May 21 2022

web a more comprehensive explanation of the treatment is described in our book a headache in the pelvis perhaps the greatest suffering for patients with pelvic pain is the sense of

**from a headache in the pelvis penguin random house canada** - Dec 28 2022

web based on the gold standard nondrug nonsurgical wise anderson protocol for treating chronic pelvic pain a headache in the pelvis is the definitive resource for anyone

*a headache in the pelvis the wise anderson protoc* - Sep 05 2023

web a headache in the pelvis sep 04 2022 this landmark treatment for men and women who suffer from pelvic pain and urinary dysfunction was developed at stanford university

**a headache in the pelvis the wise anderson protocol** - Oct 06 2023

web may 22 2018 based on the gold standard nondrug nonsurgical wise anderson protocol for treating chronic pelvic pain a headache in the pelvis is the definitive resource for anyone suffering from pelvic pain pelvic pain afflicts millions of men and women and

**pdf download a headache in the pelvis the wise anderson** - Dec 16 2021

*a headache in the pelvis google books* - Jan 29 2023

web the top selling book about pelvic pain offering the gold standard nondrug nonsurgical wise anderson protocol for treating chronic pelvic pain a headache in the pelvis

[a headache in the pelvis by david wise ph d overdrive](#) - Jul 23 2022

web a headache in the pelvis the wise anderson protocol for healing pelvic pain the definitive edition on amazon com free shipping on qualifying offers a headache in

**a headache in the pelvis by david wise ebook ebooks com** - Aug 24 2022

web jun 19 2018 based on the gold standard nondrug nonsurgical wise anderson protocol for treating chronic pelvic pain a headache in the pelvis is the definitive resource for

*headache in the pelvis the wise anderson protocol for healing* - Sep 24 2022

web based on the gold standard nondrug nonsurgical wise anderson protocol for treating chronic pelvic pain a headache in the pelvis is the definitive resource for anyone

**a headache in the pelvis the wise anderson protoc pdf** - Feb 27 2023

web this groundbreaking book describes the wise anderson protocol for muscle related pelvic pain in men and women a new and revolutionary treatment developed at

[a headache in the pelvis by david wise ph d rodney](#) - Jul 03 2023

web based on the gold standard nondrug nonsurgical wise anderson protocol for treating chronic pelvic pain a headache in the pelvis is the definitive resource for anyone

**a headache in the pelvis the wise anderson protocol** - Mar 31 2023

web this book provides step by step instructions in the wise anderson protocol for the treatment of muscle based pelvic pain it includes instruction in paradoxical relaxation in

[wise anderson protocol youtube](#) - Mar 19 2022

web the wise anderson protocol can significantly symptoms of chronic pelvic pain syndrome in a majority of those who practice it by robert

*a headache in the pelvis the wise anderson protocol for* - Nov 26 2022

web the top selling book about pelvic pain offering the gold standard nondrug nonsurgical wise anderson protocol for treating chronic pelvic pain a headache in the pelvis

**a headache in the pelvis the wise anderson protocol for** - Jun 02 2023

web 7 rows may 22 2018 based on the gold standard nondrug nonsurgical wise anderson protocol for treating chronic

**act two standards focus characterization and character** - Feb 01 2023

web jun 17 2023 act two standards focus characterization and character motivation is act two standards focus characterization and character motivation below act

**act two standards focus characterization and character** - Sep 08 2023

web act two standards focus characterization and character motivation federal register look both ways clean air act compliance enforcement guidance manual sex

[act two characterization fill in ver pdf julius caesar scribd](#) - Oct 09 2023

web act two standards focus characterization and character motivation characterization is the technique by which authors develop characters direct characterization is when the author or narrator tells the reader what the character is like

**act two standards focus characterization and character** - Jun 24 2022

web act two standards focus characterization and character motivation answers act two standards focus characterization and character motivation answers 3

**act two standards focus characterization and character** - Aug 27 2022

web act two standards focus characterization and character motivation 3 3 treatment of such problems has only now been undertaken in point of time my concern with them

*act two standards focus characterization and character* - Jul 26 2022

web aug 20 2023 focus characterization and character motivation is universally compatible bearing in mind any devices to read long way down jason reynolds 2017 10 24 as

[act two standards focus characterization and character](#) - Nov 17 2021

web 2 2 act two standards focus characterization and character motivation 2022 06 27 my treatment of such problems has only now been undertaken in point of time my

**act two standards focus characterization and character motivation** - Sep 27 2022

web act two standards focus characterization and character motivation 2 13 downloaded from uniport.edu.ng on June 12 2023 by guest teachers come to the work precisely because of abiding moral commitments to help others to make a difference in the lives of the young to give something back to society

**act 2 characterization docx act two standards focus** - Jul 06 2023

web Jan 27 2021 act two standards focus characterization and character motivation characterization is the technique by which authors develop characters direct

[act two standards focus characterization and character](#) - May 04 2023

web research driven and practical this guide shows teachers how to integrate formative assessment student metacognition and motivational strategies to make goal setting an

[act 2 noun definition pictures pronunciation and usage notes](#) - Apr 22 2022

web the higher education act 1965 the old act has now been repealed the new children's act will become law next year the company had violated the data security act of 2006

*act two standards focus characterization and character* - Dec 31 2022

web act two standards focus characterization and character motivation answers act two standards focus characterization and character motivation answers 4

*act two standards focus characterization and character* - Mar 02 2023

web act two standards focus characterization and character motivation characterization and modeling of electrochemical energy conversion systems by impedance techniques

**act two standards focus characterization and character** - Mar 22 2022

web act two standards focus characterization and character motivation answers reviewing act two standards focus characterization and character motivation

**act two standards focus characterization and character** - May 24 2022

web this online broadcast act two standards focus characterization and character motivation can be one of the options to accompany you in the same way as having

*act 2mg tablet view uses side effects price and substitutes* - Jan 20 2022

web aug 29 2023 the most common side effects of taking act 2mg tablet include low blood sugar levels hypoglycemia nausea headache weakness and dizziness make sure

act two standards focus characterization and character - Oct 29 2022

web you could buy guide act two standards focus characterization and character motivation or get it as soon as feasible you could speedily download this act two

**act two standards focus characterization and character** - Dec 19 2021

web 2 2 act two standards focus characterization and character motivation 2022 11 18 generally available to the public to ensure a quality reading experience this work has

**standards focus characterization and character motivation** - Apr 03 2023

web a streetcar named desire characterization character motivation symbolism characterization is the method an author uses to develop or reveal

**act two standards focus characterization and character** - Aug 07 2023

web act two standards focus characterization and character motivation congrue s use of women characters in plot motivation apr 05 2023 in analyzing the plots of the women

*act two standards focus characterization and character* - Nov 29 2022

web the proclamation act two standards focus characterization and character motivation that you are looking for it will no question squander the time however below past you

**what does act stand for the complete story prepscholar** - Feb 18 2022

web the act began in 1959 when everett franklin lindquist a professor at university of iowa was unhappy with the sat for two reasons the sat was designed as an aptitude test

**caesar characterization 7 pdf name period act two** - Jun 05 2023

web comp01111 caesar characterization 7 pdf name period act two standards focus characterization and character motivation characterization is the technique