

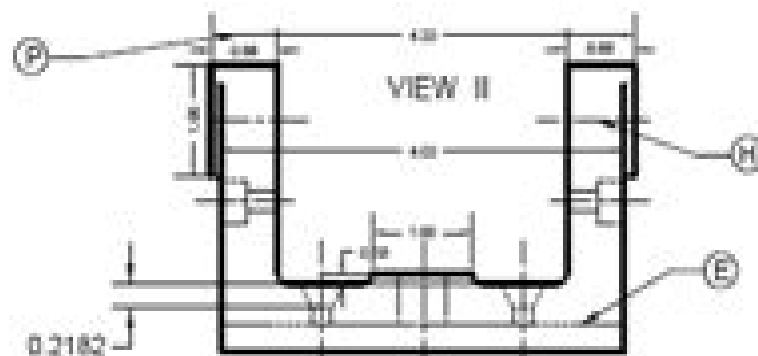
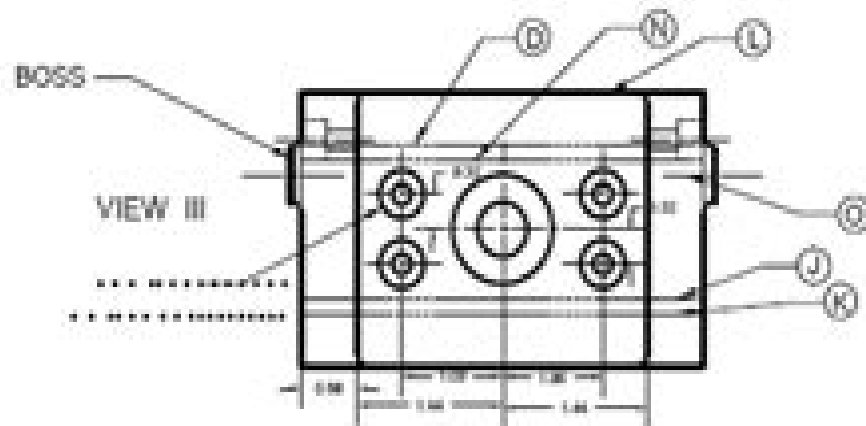
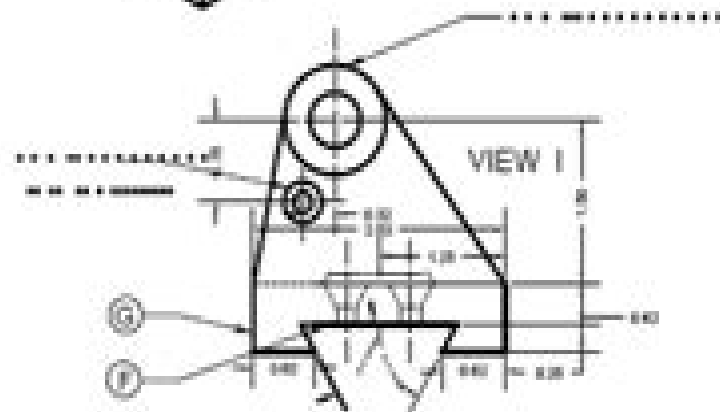
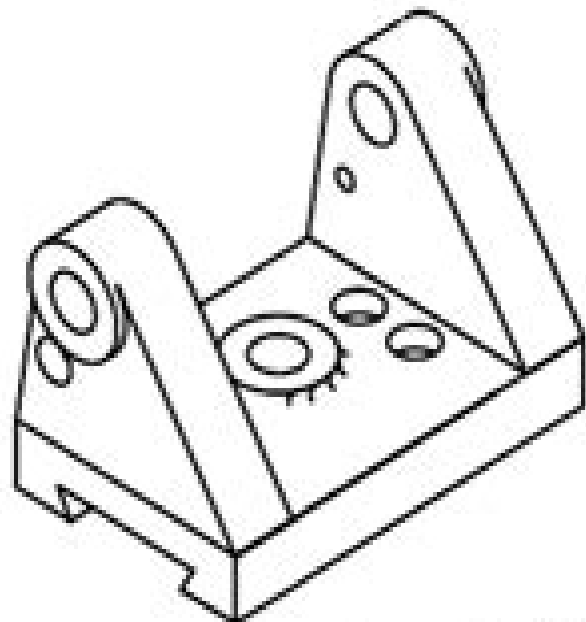
SLIDING SUPPORT

BP-13

MATL. GRAY CAST IRON

ORDER NO. 13310

NO. REGD 5



# Basic Blueprint Reading And Sketching Answer Key

**Library of Congress. Copyright Office**

**Basic Blueprint Reading And Sketching Answer Key:**

The book delves into Basic Blueprint Reading And Sketching Answer Key. Basic Blueprint Reading And Sketching Answer Key is a vital topic that needs to be grasped by everyone, ranging from students and scholars to the general public. This book will furnish comprehensive and in-depth insights into Basic Blueprint Reading And Sketching Answer Key, encompassing both the fundamentals and more intricate discussions.

1. This book is structured into several chapters, namely:
    - Chapter 1: Introduction to Basic Blueprint Reading And Sketching Answer Key
    - Chapter 2: Essential Elements of Basic Blueprint Reading And Sketching Answer Key
    - Chapter 3: Basic Blueprint Reading And Sketching Answer Key in Everyday Life
    - Chapter 4: Basic Blueprint Reading And Sketching Answer Key in Specific Contexts
    - Chapter 5: Conclusion
  2. In chapter 1, the author will provide an overview of Basic Blueprint Reading And Sketching Answer Key. This chapter will explore what Basic Blueprint Reading And Sketching Answer Key is, why Basic Blueprint Reading And Sketching Answer Key is vital, and how to effectively learn about Basic Blueprint Reading And Sketching Answer Key.
  3. In chapter 2, this book will delve into the foundational concepts of Basic Blueprint Reading And Sketching Answer Key. This chapter will elucidate the essential principles that must be understood to grasp Basic Blueprint Reading And Sketching Answer Key in its entirety.
  4. In chapter 3, this book will examine the practical applications of Basic Blueprint Reading And Sketching Answer Key in daily life. This chapter will showcase real-world examples of how Basic Blueprint Reading And Sketching Answer Key can be effectively utilized in everyday scenarios.
  5. In chapter 4, this book will scrutinize the relevance of Basic Blueprint Reading And Sketching Answer Key in specific contexts. The fourth chapter will explore how Basic Blueprint Reading And Sketching Answer Key is applied in specialized fields, such as education, business, and technology.
  6. In chapter 5, this book will draw a conclusion about Basic Blueprint Reading And Sketching Answer Key. The final chapter will summarize the key points that have been discussed throughout the book.
- This book is crafted in an easy-to-understand language and is complemented by engaging illustrations. This book is highly recommended for anyone seeking to gain a comprehensive understanding of Basic Blueprint Reading And Sketching Answer Key.

<https://py.bijouxmedusa.com/data/Resources/fetch.php/la%20calligrafia.pdf>

## **Table of Contents Basic Blueprint Reading And Sketching Answer Key**

1. Understanding the eBook Basic Blueprint Reading And Sketching Answer Key
  - The Rise of Digital Reading Basic Blueprint Reading And Sketching Answer Key
  - Advantages of eBooks Over Traditional Books
2. Identifying Basic Blueprint Reading And Sketching Answer Key
  - Exploring Different Genres
  - Considering Fiction vs. Non-Fiction
  - Determining Your Reading Goals
3. Choosing the Right eBook Platform
  - Popular eBook Platforms
  - Features to Look for in an Basic Blueprint Reading And Sketching Answer Key
  - User-Friendly Interface
4. Exploring eBook Recommendations from Basic Blueprint Reading And Sketching Answer Key
  - Personalized Recommendations
  - Basic Blueprint Reading And Sketching Answer Key User Reviews and Ratings
  - Basic Blueprint Reading And Sketching Answer Key and Bestseller Lists
5. Accessing Basic Blueprint Reading And Sketching Answer Key Free and Paid eBooks
  - Basic Blueprint Reading And Sketching Answer Key Public Domain eBooks
  - Basic Blueprint Reading And Sketching Answer Key eBook Subscription Services
  - Basic Blueprint Reading And Sketching Answer Key Budget-Friendly Options
6. Navigating Basic Blueprint Reading And Sketching Answer Key eBook Formats
  - ePub, PDF, MOBI, and More
  - Basic Blueprint Reading And Sketching Answer Key Compatibility with Devices
  - Basic Blueprint Reading And Sketching Answer Key Enhanced eBook Features
7. Enhancing Your Reading Experience
  - Adjustable Fonts and Text Sizes of Basic Blueprint Reading And Sketching Answer Key
  - Highlighting and Note-Taking Basic Blueprint Reading And Sketching Answer Key
  - Interactive Elements Basic Blueprint Reading And Sketching Answer Key

8. Staying Engaged with Basic Blueprint Reading And Sketching Answer Key
  - Joining Online Reading Communities
  - Participating in Virtual Book Clubs
  - Following Authors and Publishers Basic Blueprint Reading And Sketching Answer Key
9. Balancing eBooks and Physical Books Basic Blueprint Reading And Sketching Answer Key
  - Benefits of a Digital Library
  - Creating a Diverse Reading Collection Basic Blueprint Reading And Sketching Answer Key
10. Overcoming Reading Challenges
  - Dealing with Digital Eye Strain
  - Minimizing Distractions
  - Managing Screen Time
11. Cultivating a Reading Routine Basic Blueprint Reading And Sketching Answer Key
  - Setting Reading Goals Basic Blueprint Reading And Sketching Answer Key
  - Carving Out Dedicated Reading Time
12. Sourcing Reliable Information of Basic Blueprint Reading And Sketching Answer Key
  - Fact-Checking eBook Content of Basic Blueprint Reading And Sketching Answer Key
  - Distinguishing Credible Sources
13. Promoting Lifelong Learning
  - Utilizing eBooks for Skill Development
  - Exploring Educational eBooks
14. Embracing eBook Trends
  - Integration of Multimedia Elements
  - Interactive and Gamified eBooks

### Basic Blueprint Reading And Sketching Answer Key Introduction

Free PDF Books and Manuals for Download: Unlocking Knowledge at Your Fingertips In todays fast-paced digital age, obtaining valuable knowledge has become easier than ever. Thanks to the internet, a vast array of books and manuals are now available for free download in PDF format. Whether you are a student, professional, or simply an avid reader, this treasure trove of downloadable resources offers a wealth of information, conveniently accessible anytime, anywhere. The advent of online libraries and platforms dedicated to sharing knowledge has revolutionized the way we consume information.

## **Basic Blueprint Reading And Sketching Answer Key**

---

No longer confined to physical libraries or bookstores, readers can now access an extensive collection of digital books and manuals with just a few clicks. These resources, available in PDF, Microsoft Word, and PowerPoint formats, cater to a wide range of interests, including literature, technology, science, history, and much more. One notable platform where you can explore and download free Basic Blueprint Reading And Sketching Answer Key PDF books and manuals is the internet's largest free library. Hosted online, this catalog compiles a vast assortment of documents, making it a veritable goldmine of knowledge. With its easy-to-use website interface and customizable PDF generator, this platform offers a user-friendly experience, allowing individuals to effortlessly navigate and access the information they seek. The availability of free PDF books and manuals on this platform demonstrates its commitment to democratizing education and empowering individuals with the tools needed to succeed in their chosen fields. It allows anyone, regardless of their background or financial limitations, to expand their horizons and gain insights from experts in various disciplines. One of the most significant advantages of downloading PDF books and manuals lies in their portability. Unlike physical copies, digital books can be stored and carried on a single device, such as a tablet or smartphone, saving valuable space and weight. This convenience makes it possible for readers to have their entire library at their fingertips, whether they are commuting, traveling, or simply enjoying a lazy afternoon at home. Additionally, digital files are easily searchable, enabling readers to locate specific information within seconds. With a few keystrokes, users can search for keywords, topics, or phrases, making research and finding relevant information a breeze. This efficiency saves time and effort, streamlining the learning process and allowing individuals to focus on extracting the information they need. Furthermore, the availability of free PDF books and manuals fosters a culture of continuous learning. By removing financial barriers, more people can access educational resources and pursue lifelong learning, contributing to personal growth and professional development. This democratization of knowledge promotes intellectual curiosity and empowers individuals to become lifelong learners, promoting progress and innovation in various fields. It is worth noting that while accessing free Basic Blueprint Reading And Sketching Answer Key PDF books and manuals is convenient and cost-effective, it is vital to respect copyright laws and intellectual property rights. Platforms offering free downloads often operate within legal boundaries, ensuring that the materials they provide are either in the public domain or authorized for distribution. By adhering to copyright laws, users can enjoy the benefits of free access to knowledge while supporting the authors and publishers who make these resources available. In conclusion, the availability of Basic Blueprint Reading And Sketching Answer Key free PDF books and manuals for download has revolutionized the way we access and consume knowledge. With just a few clicks, individuals can explore a vast collection of resources across different disciplines, all free of charge. This accessibility empowers individuals to become lifelong learners, contributing to personal growth, professional development, and the advancement of society as a whole. So why not unlock a world of knowledge today? Start exploring the vast sea of free PDF books and manuals waiting to be discovered right at your fingertips.

### **FAQs About Basic Blueprint Reading And Sketching Answer Key Books**

How do I know which eBook platform is the best for me? Finding the best eBook platform depends on your reading preferences and device compatibility. Research different platforms, read user reviews, and explore their features before making a choice. Are free eBooks of good quality? Yes, many reputable platforms offer high-quality free eBooks, including classics and public domain works. However, make sure to verify the source to ensure the eBook credibility. Can I read eBooks without an eReader? Absolutely! Most eBook platforms offer webbased readers or mobile apps that allow you to read eBooks on your computer, tablet, or smartphone. How do I avoid digital eye strain while reading eBooks? To prevent digital eye strain, take regular breaks, adjust the font size and background color, and ensure proper lighting while reading eBooks. What the advantage of interactive eBooks? Interactive eBooks incorporate multimedia elements, quizzes, and activities, enhancing the reader engagement and providing a more immersive learning experience. Basic Blueprint Reading And Sketching Answer Key is one of the best book in our library for free trial. We provide copy of Basic Blueprint Reading And Sketching Answer Key in digital format, so the resources that you find are reliable. There are also many Ebooks of related with Basic Blueprint Reading And Sketching Answer Key. Where to download Basic Blueprint Reading And Sketching Answer Key online for free? Are you looking for Basic Blueprint Reading And Sketching Answer Key PDF? This is definitely going to save you time and cash in something you should think about. If you trying to find then search around for online. Without a doubt there are numerous these available and many of them have the freedom. However without doubt you receive whatever you purchase. An alternate way to get ideas is always to check another Basic Blueprint Reading And Sketching Answer Key. This method for see exactly what may be included and adopt these ideas to your book. This site will almost certainly help you save time and effort, money and stress. If you are looking for free books then you really should consider finding to assist you try this. Several of Basic Blueprint Reading And Sketching Answer Key are for sale to free while some are payable. If you arent sure if the books you would like to download works with for usage along with your computer, it is possible to download free trials. The free guides make it easy for someone to free access online library for download books to your device. You can get free download on free trial for lots of books categories. Our library is the biggest of these that have literally hundreds of thousands of different products categories represented. You will also see that there are specific sites catered to different product types or categories, brands or niches related with Basic Blueprint Reading And Sketching Answer Key. So depending on what exactly you are searching, you will be able to choose e books to suit your own need. Need to access completely for Campbell Biology Seventh Edition book? Access Ebook without any digging. And by having access to our ebook online or by storing it on your computer, you have convenient answers with Basic Blueprint Reading And Sketching Answer Key To get started finding Basic Blueprint Reading And Sketching Answer Key, you are right to find our website which has a comprehensive collection of books online. Our library is the biggest of these that have literally hundreds of thousands of

different products represented. You will also see that there are specific sites catered to different categories or niches related with Basic Blueprint Reading And Sketching Answer Key So depending on what exactly you are searching, you will be able to choose ebook to suit your own need. Thank you for reading Basic Blueprint Reading And Sketching Answer Key. Maybe you have knowledge that, people have search numerous times for their favorite readings like this Basic Blueprint Reading And Sketching Answer Key, but end up in harmful downloads. Rather than reading a good book with a cup of coffee in the afternoon, instead they juggled with some harmful bugs inside their laptop. Basic Blueprint Reading And Sketching Answer Key is available in our book collection an online access to it is set as public so you can download it instantly. Our digital library spans in multiple locations, allowing you to get the most less latency time to download any of our books like this one. Merely said, Basic Blueprint Reading And Sketching Answer Key is universally compatible with any devices to read.

### Find Basic Blueprint Reading And Sketching Answer Key :

~~la calligrafia~~

**keep calm and carry on**

*Jung and ecopsychology dennis merritt*

~~la vida de jim elliot emboscada en ecuador heroes cristianos de ayer de hoy heroes cristianos de ayer y hoy spanish edition~~

**kothari research methodology 2nd edition**

*kontakte 7th edition website*

~~kings ransom oxford bookworms library~~

~~kathara level 1 bio-spiritual healing certification manual~~

**jvc ax z911**

~~journeys benchmark and unit tests consumable grade 3~~

~~akebo descarga gratis en formato excel bankcook~~

**komatsu pc210 pc210lc 6k pc240lc pc240nlc 6k hydraulic excavator workshop repair service manual complete informative for diy repair 9734 9734 9734 9734 9734**

**john r taylor classical mechanics solutions**

*koka shastra pdf*

~~katsura tradition and creation in japanese architecture~~

**Basic Blueprint Reading And Sketching Answer Key :**

*roblox where s the noob search and find book amazon ae - Jan 09 2023*

web roblox where s the noob search and find book hardcover coloring book 3 october 2019 by farshore author 4 7 3 227 ratings see all formats and editions

roblox where s the noob by official roblox goodreads - Feb 10 2023

web nov 12 2019 4 52 23 ratings3 reviews embark on a search and find adventure with fan favorite roblox characters join builderman ezebel the pirate queen mr bling bling

*roblox where s the noob search and find book farshore - Dec 28 2021*

web roblox where s the noob search and find book by farshore 9781405294638 buy new second hand used books online with free uk delivery at awesomebooks com

**roblox where s the noob search and find book** - Oct 18 2023

web oct 3 2019 embark on a search and find adventure with fan favourite roblox characters join builderman ezebel the pirate queen mr bling bling and other iconic characters as they journey through the imaginative worlds of roblox on a quest to find the

*roblox where s the noob search and find book hardcover - Apr 12 2023*

web roblox where s the noob search and find book 9781405294638 books amazon ca buy used 14 23 free delivery october 30 november 20

roblox where s the noob search and find book - Nov 07 2022

web embark on a search and find adventure with fan favourite roblox characters join builderman ezebel the pirate queen mr bling bling and other iconic characters as

*roblox where s the noob search and find book hardback - Aug 16 2023*

web oct 3 2019 synopsis embark on a search and find adventure with fan favourite roblox characters join builderman ezebel the pirate queen mr bling bling and other iconic

**roblox where s the noob harpercollins** - Mar 11 2023

web nov 12 2019 embark on a search and find adventure with fan favorite roblox characters join builderman ezebel the pirate queen mr bling bling and other iconic

**roblox where s the noob search and find book farshore** - Aug 04 2022

web embark on a search and find adventure with fan favourite roblox characters join builderman ezebel the pirate queen mr bling bling and other iconic characters as

*roblox where s the noob search and find book google books - May 13 2023*

web bibliographic information embark on a search and find adventure with fan favourite roblox characters join builderman ezebel the pirate queen mr bling bling and other iconic

**roblox where s the noob search and find book hardcover** - Sep 05 2022

web embark on a search and find adventure with fan favourite roblox characters join builderman ezebel the pirate queen mr bling bling and other iconic characters as

roblox where s the noob search and find book alibris - Jul 03 2022

web buy roblox where s the noob search and find book by farshore online at alibris we have new and used copies available in 1 editions starting at 15 05 shop now

**roblox where s the noob search and find book hardcover** - Sep 17 2023

web hello sign in account lists returns orders cart

**roblox where s the noob search and find book** - Mar 31 2022

web embark on a search and find adventure with fan favourite roblox characters join builderman ezebel the pirate queen mr bling bling and other iconic characters as

**roblox where s the noob official roblox amazon com au** - May 01 2022

web embark on a search and find adventure with fan favorite roblox characters join builderman ezebel the pirate queen mr bling bling and other iconic characters as

**roblox where s the noob official roblox google books** - Jun 02 2022

web embark on a search and find adventure with fan favorite roblox characters join builderman ezebel the pirate queen mr bling bling and other iconic characters as

roblox where s the noob search and find book by farshore - Oct 06 2022

web oct 3 2019 join builderman ezebel the pirate queen mr bling bling and other iconic characters as they journey through the imaginative worlds of roblox on a quest to find

**roblox where s the noob search and find book** - Jun 14 2023

web embark on a search and find adventure with fan favourite roblox characters join builderman ezebel the pirate queen mr bling bling and other iconic characters as

roblox where s the noob search and find book alibris - Feb 27 2022

web embark on a search and find adventure with fan favourite roblox characters join builderman ezebel the pirate queen mr bling bling and other iconic characters as

roblox where s the noob search and find book - Jul 15 2023

web oct 3 2019 4 31 13 ratings0 reviews embark on a search and find adventure with fan favourite roblox characters join

builderman the pirate queen mr bling bling and

*roblox where s the noob search and find book wordsworth* - Jan 29 2022

web embark on a search and find adventure with fan favourite roblox characters join builderman ezebel the pirate queen mr bling bling and other iconic characters as

*roblox where s the noob search and find book* - Dec 08 2022

web sar 29 00 1 new from sar 29 00 embark on a search and find adventure with fan favourite roblox characters join

builderman ezebel the pirate queen mr bling

[adjectives ellii formerly esl library](#) - Oct 27 2022

web in this lesson students review the sentence patterns and common suffixes for adjectives in english they practice describing things and expressing their feelings through a variety of writing exercises for teaching teens and adults use our grammar practice worksheets lesson on adjectives

**ellii formerly esl library youtube** - May 02 2023

web we can help you improve your english fluency in all areas grammar pronunciation vocabulary reading listening and speaking we release new videos every week so make sure you subscribe to our

**grammar ellii formerly esl library** - Oct 07 2023

web good grammar is the foundation for communicating effectively in english in this comprehensive category of collections you will find various materials on any given grammar target including

[ello english listening lesson library online](#) - May 22 2022

web aug 21 2023 ello stands for english listening lesson library online and features natural english lessons that come with quizzes vocabulary training and free printable worksheets esl students and teachers can access over 2 000 free lessons that feature world english with speakers from over 100 countries

[home ellii formerly esl library](#) - Sep 06 2023

web ellii s grammar and functional english materials are intentionally designed to engage language learners hold their interest and always make the learning process enjoyable modals of possibility noun clauses prepositions of place prepositions of time adverbs of frequency there is there are comparative adjectives

*grammar practice worksheets ellii formerly esl library* - Aug 05 2023

web who says grammar is boring our grammar practice worksheets are filled with useful everyday language that will boost your students grammar skills and help develop their fluency each lesson includes a variety of writing tasks and group activities on a particular grammar target

**singular plural nouns ellii formerly esl library** - Sep 25 2022

## Basic Blueprint Reading And Sketching Answer Key

web grammar practice worksheets beg teens adults grades 6 12 this lesson teaches students how to form regular and irregular plural nouns students will review common spelling rules exceptions and pronunciation rules for plural nouns in english launch tasks open pdf focus foundational grammar nouns singular nouns plural nouns regular plurals

[grammar worksheets esl worksheets englishclub](#) - Apr 20 2022

web practical grammar worksheets for the esl teacher free printables for use in the english classroom or for homework

[156000 english esl free printable worksheets efl video lessons](#) - Jul 24 2022

web a treasure trove of free english esl handouts pdf doc slides video quizzes with reading listening comprehension exercises

vocabulary grammar practice search free esl worksheets and video lessons

[gerunds infinitives grammar practice worksheets esl library](#) - Jan 30 2023

web verb cards and practice

[grammar learnenglish](#) - Aug 25 2022

web grammar revise and practise your grammar to help you increase your confidence and improve your language level

practise your english grammar with clear grammar explanations and practice exercises to test your understanding the

learning materials are organised into two sections organised by english level

**complete sentences ellii formerly esl library** - Feb 28 2023

web grammar practice worksheets int teens adults grades 6 12 in this lesson students will learn to distinguish complete sentences from sentence fragments they will review basic sentence patterns and practice identifying independent and

**86 000 english esl worksheets pdf doc isl collective** - Feb 16 2022

web a library of free english esl printables with listening reading comprehension exercises vocab grammar practice activities made by teachers

[simple past grammar verb tenses youtube](#) - Nov 27 2022

web sep 14 2020 the simple past verb tense is very important to be able to speak and write well in english this ellii grammar

video clearly explains when and why to use the simple past you will also learn the

[lessons ellii formerly esl library](#) - Apr 01 2023

web grammar simple sentences 11 esl lessons beg low int basic grammar sentences 42 esl lessons beg int grammar stories

27 esl lessons beg int grammar practice worksheets 68 esl lessons beg adv true grammar stories 14 esl lessons beg

[printable esl worksheets for teachers word pdf jimmyesl](#) - Jun 22 2022

web our massive library of free esl worksheets by category if you are looking for esl worksheets for different learning areas

select the matching category you ll find assorted lists of worksheets and other materials there for all levels from beginner to

advanced for all ages from kids to adults

[free esl grammar handouts and activities eslfriend com](#) - Mar 20 2022

web sep 28 2022 our esl grammar simple present resources are free for everyone we have collected the best esl grammar practice handouts for all levels the handouts and activities are online friendly and flexible to meet all of your

**grammar stories ellii formerly esl library** - Jul 04 2023

web each lesson in this series features two or three fun short stories to help reinforce a specific target structure such as a verb tense or word form each story is followed by comprehension questions and a writing task is also included an audio recording is available for each story

[sample lessons ellii formerly esl library](#) - Jun 03 2023

web from grammar stories beg at esl library we believe that reading and listening to stories is a great way to learn grammar in context all our grammar stories lessons beg int feature two to five stories with audio followed by

[simple present grammar verb tenses youtube](#) - Dec 29 2022

web sep 2 2020 learn all about the simple present verb tense in this ellii grammar video this clear explanation will help you understand when and why to use simple present

[yoda wikipedia](#) - Jun 14 2023

web yoda is a fictional character in the star wars universe a green humanoid alien who is powerful with the force and a leading member of the jedi order he appears in six films and various media voiced by frank oz tom kane and others learn about his concept creation roles and legacy

[yoda sithpedi fandom](#) - Apr 12 2023

web yoda dađı veya çizgi roman serisi star wars yoda makalesini arıyor olabilirsiniz gördüğünüz versiyon sayfanın tamamlanmış hali değil veya gereğinden kısa eđer bu şablon uzun süredir sayfadaysa veya sayfanın genişletilmesini istiyorsanız tartışma sayfasına not bırakınız

**star wars the mandalorian oyuncak yoda bebek animatronic the trendyol** - Jan 29 2022

web sahip olduđu fonksiyonlar sayesinde eğlence sunan star wars the child animatronic f1119 18 cm baby yoda genel olarak çocuklara hitap eder bu film figürü çıkardığı ses ve hareketlerle daha çok küçük yaş grubunun ilgisini çekmektedir Özellikle 4 yaş ve üzeri çocuklar baby yoda yla keyifli zaman geçirebilirler

[yoda wookieepedia fandom](#) - Dec 08 2022

web yoda was a force sensitive male being of a mysterious species and one of the most legendary jedi masters in galactic history he served as a member of the jedi high council and grand master of the jedi order instructing and training many jedi including obi wan kenobi and luke skywalker he died in 4 aby after being exiled on dagobah by darth

**baby yoda figür fiyatları modelleri ve yorumları trendyol** - Aug 16 2023

web bilinen büyük jedi üstadı yoda yı anımsatan baby yoda gücün emsalsiz örneğini temsil ederken oyuncakları ile çocukların eğlence dünyalarına katkı sağlar yetişkinlere mazinin güzel günlerini anımsatır ve koleksiyonlarına sevimli duruşlarıyla eşlik eder

*star wars the child baby yoda sesli peluş oyuncak f1115 fiyatı - Sep 05 2022*

web star wars the child baby yoda sesli peluş oyuncak f1115 sevimli görünüşüyle çocuklarınızın ilgisini çeker yapımında peluş kullanıldığı için yumuşaktır 3 yaşından büyük çocukların kullanımı için uygundur

*star wars yoda oyuncak animatronic edition the child fiyatı trendyol - Jun 02 2022*

web bebek yoda ya benzeyen bu ürün the child animatronic edition adıyla anılır Özel tasarımı ve ses efektleri sayesinde gerçekçi bir görünüm yaratır hem çocuklara hem de yetişkinlere hitap eder oyuncak olarak kullanılabilirdiği gibi figür

**yoda wookieepedia fandom** - Mar 11 2023

web yoda was a legendary jedi master who trained luke skywalker and led the jedi order through the high republic he was a small powerful and wise figure who faced the sith order 66 and the clone wars learn about his biography species apprentices enemies and

*amazon com tr baby yoda - Mar 31 2022*

web grogu figür 6 adet baby yoda mini figürler baby yoda mini figürleri mini yoda pasta dekorasyonu star wars erkek Çocuklar kızlar ve yetişkinler için doğum günü parti dekorasyonu hızlı teslimat seçeneği ile 15 eylül cuma tarihinde teslim alın stokta sadece 4

**yoda wikipedi** - Jul 15 2023

web yoda yıldız savaşları filmine ait eski jedi Üstadı ve jedi konseyi nin en saygıdeğer üyesi yoda sekiz yüzyıl boyunca jedi şövalyeleri yetiştirmiş ve güç ile olan bir şövalye olup luke skywalker ının öğrencisi olarak olanak göstermiştir yoda cumhuriyet in son yıllarında devam etmiş olan jedi konseyi nde çok önemli bir görevi vardır

*grogu wikipedi - Feb 10 2023*

web the child türkçe Çocuk veya hayranları ve medya tarafından genellikle kullanılan ismi ile bebek yoda ya da baby yoda asıl adıyla grogu disney orijinal televizyon dizisi the mandalorian da yer alan kurgusal bir karakter yıldız savaşları filmlerinden popüler bir karakter olan yoda ile aynı uzaylı türünün bir üyesidir

*star wars oyuncaklar ve fiyatları hepsiburada com - Aug 04 2022*

web yoda ve jedi ler filmin eğlence unsuru olan sevimli chewbacca gibi birçok karakter star wars oyuncakları içerisinde bulunuyor film serisinde yer alan uzay mekikleri stormtrooperlar filmin ana karakterlerinden leia da maceralı bir

**baby yoda fiyatları ve modelleri n11 com** - Dec 28 2021

web baby yoda n11 com da baby yoda modelleri baby yoda markaları seçenekleri özellikleri ve en uygun fiyatları n11 com da

sizi bekliyor

**yoda starwars com** - May 13 2023

web learn about yoda a powerful and wise jedi master who trained over 800 years from the clone wars to the force  
immortality discover his history appearance quotes vehicles and more on starwars com

*bebek yoda the mandalorian ın İlgi odağı oldu beyazperde* - Jul 03 2022

web nov 19 2019 orijinal star wars serisinin atmosferini bozmadan uzay teması ile western i birleştiren the mandalorian ın  
odağı ise bebek yoda oldu 50 yaşında olmasına rağmen çok şirin görünen bebek yoda sosyal medyadan birçok tepki aldı

*kimdir bu bebek yoda bilimkurgu kulübü* - Feb 27 2022

web jan 21 2020 son olarak yoda yaddle ve çocuk un ait olduğu türün adını öğrenebilecek miyiz bebek yoda nın geçmişi ve  
geleceği star wars hayranlarının fikirleri ve teorileriyle mi şekilleniyor hipotez 1 bebek yoda karanlık tarafın güç  
manipulasyonunun sonucu mu

*yoda vikisöz wikiquote* - Nov 07 2022

web yoda yıldız savaşları evrenindeki canlandırma hayali karakterlerden biridir serideki en yaşlı ve en bilge jedi lardan biri  
olan Üstat yoda jedi konseyinin de başkanıdır Ömrünün son günlerini saklandığı dagobah ta bir bataklıkta geçirmiştir

**yoda nın türü sithpedi fandom** - Jan 09 2023

web efsanevi jedi büyük usta yoda nın ait olduğu tür antik ve gizemle ötrülüydü bu türün üyeleri galaksideki herhangi bir  
yerde nadiren görünmüştü galakside görülen bu türden birkaç kişinin hepsi güç e hassastı

**star wars animatronic baby yoda fiyatı taksit seçenekleri** - Oct 06 2022

web star wars animatronic baby yoda en iyi fiyatla hepsiburada dan satın alın Şimdi indirimli fiyatla online sipariş verin  
ayağınıza gelsin

**yoda bebek fiyatları cimri com** - May 01 2022

web yoda bebek fiyatları fiyatları ve özelliklerini karşılaştır kategori marka ayrıştırması ile en uygun yoda bebek fiyatları fiyat  
avantajını yakala cimri com da senin için 474 adet yoda bebek fiyatları ürünü bulduk yoda bebek fiyatları kategorisinde en  
favori el aletleri aksesuarları peluş oyuncaklar bebek oto koltuğu puzzle aksesuarları erkek