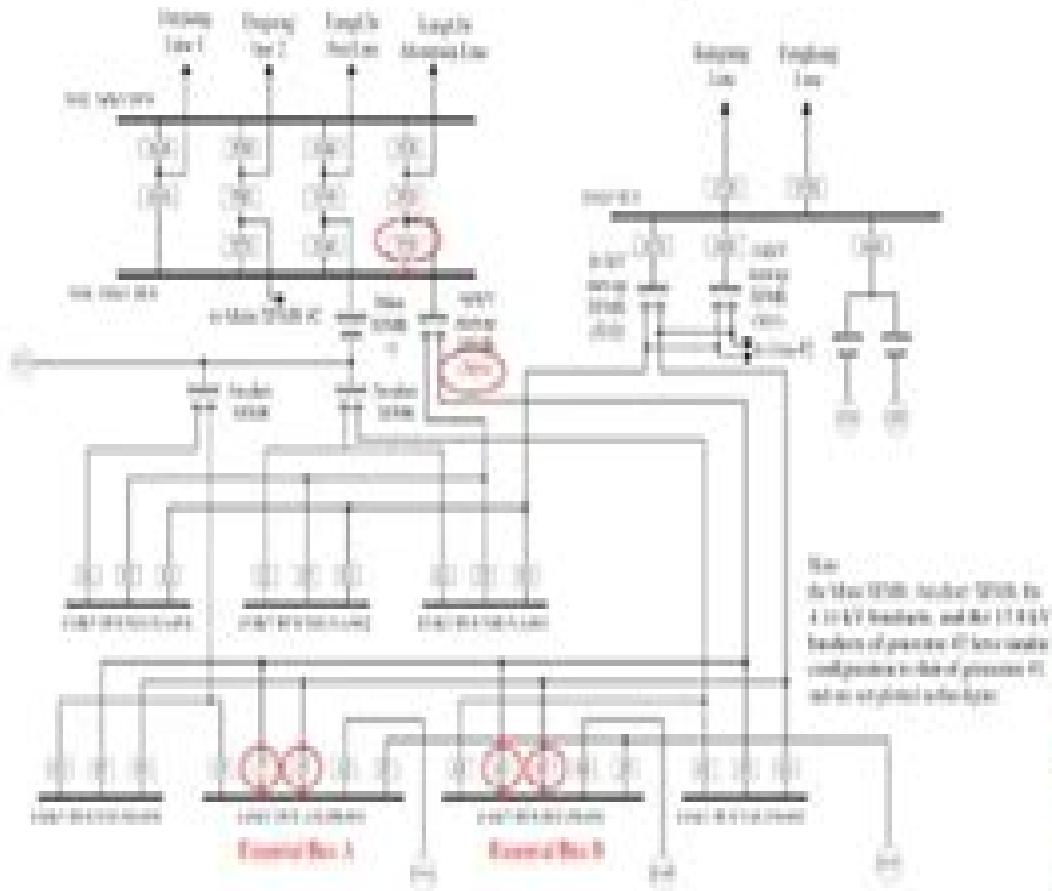


Power System Protection Systems



Basic connection diagram of protection relay



Electrical 4 U

Power Systems Protection Engineering Training Idc

SJ Ball



Power Systems Protection Engineering Training Idc:

Power Systems Protection, Power Quality , Practical Power System Protection Leslie Hewitson, Mark Brown, Ramesh Balakrishnan, 2005-02-28 Designed to increase understanding on a practical and theoretical basis this invaluable resource provides engineers plant operators electricians and technicians with a thorough grounding in the principles and practicalities behind power system protection Coverage of the fundamental knowledge needed to specify use and maintain power protection systems is included helping readers to increase plant efficiency performance and safety Consideration is also given to the practical techniques and engineering challenges encountered on a day to day basis making this an essential resource for all

Telecommunication Economics Antonis M. Hadjiantonis, Burkhard Stiller, 2012-04-27 This book constitutes a collaborative and selected documentation of the scientific outcome of the European COST Action IS0605 Econ Tel A Telecommunications Economics COST Network which run from October 2007 to October 2011 Involving experts from around 20 European countries the goal of Econ Tel was to develop a strategic research and training network among key people and organizations in order to enhance Europe s competence in the field of telecommunications economics Reflecting the organization of the COST Action IS0605 Econ Tel in working groups the following four major research areas are addressed evolution and regulation of communication ecosystems social and policy implications of communication technologies economics and governance of future networks future networks management architectures and mechanisms

Personal Computers and Digital Signal Processing , **Formulas and Conversions** , Communications, Industrial Networking and TCP/IP , 2012 **Practical Power Systems Protection for Engineers and Technicians** , 200? IEEE Industrial & Commercial Power Systems Technical Conference , 1984 *Electric Light and Power* , 1948 **The Journal of the Chartered Institution of Building Services** Chartered Institution of Building Services, 1983 *Building Services* , 1985-05 **ASHRAE Journal** , 1992 IEEE Conference Record of ... Industrial and Commercial Power Systems Technical Conference , 1984 UNDOC, Current Index , 1996 IEEE Membership Directory Institute of Electrical and Electronics Engineers, 2001 *Subject Guide to Microforms in Print* Albert James Diaz, 1977 **Scientific and Technical Organizations and Agencies Directory** Peter D. Dresser, 1994 **Thomas Register** , 2004 **Western Electrician** , 1894 The Engineer , 1916

Power Systems Protection Engineering Training Idc Book Review: Unveiling the Power of Words

In a global driven by information and connectivity, the energy of words has are more evident than ever. They have the ability to inspire, provoke, and ignite change. Such may be the essence of the book **Power Systems Protection Engineering Training Idc**, a literary masterpiece that delves deep in to the significance of words and their effect on our lives. Published by a renowned author, this captivating work takes readers on a transformative journey, unraveling the secrets and potential behind every word. In this review, we will explore the book is key themes, examine its writing style, and analyze its overall impact on readers.

https://py.bijouxmedusa.com/public/publication/Documents/States_66_952_Weight_Loss_For_Beginners_For_Small_Business_66_1619.pdf

Table of Contents Power Systems Protection Engineering Training Idc

1. Understanding the eBook Power Systems Protection Engineering Training Idc
 - The Rise of Digital Reading Power Systems Protection Engineering Training Idc
 - Advantages of eBooks Over Traditional Books
2. Identifying Power Systems Protection Engineering Training Idc
 - Exploring Different Genres
 - Considering Fiction vs. Non-Fiction
 - Determining Your Reading Goals
3. Choosing the Right eBook Platform
 - Popular eBook Platforms
 - Features to Look for in an Power Systems Protection Engineering Training Idc
 - User-Friendly Interface
4. Exploring eBook Recommendations from Power Systems Protection Engineering Training Idc
 - Personalized Recommendations
 - Power Systems Protection Engineering Training Idc User Reviews and Ratings

- Power Systems Protection Engineering Training Idc and Bestseller Lists
- 5. Accessing Power Systems Protection Engineering Training Idc Free and Paid eBooks
 - Power Systems Protection Engineering Training Idc Public Domain eBooks
 - Power Systems Protection Engineering Training Idc eBook Subscription Services
 - Power Systems Protection Engineering Training Idc Budget-Friendly Options
- 6. Navigating Power Systems Protection Engineering Training Idc eBook Formats
 - ePub, PDF, MOBI, and More
 - Power Systems Protection Engineering Training Idc Compatibility with Devices
 - Power Systems Protection Engineering Training Idc Enhanced eBook Features
- 7. Enhancing Your Reading Experience
 - Adjustable Fonts and Text Sizes of Power Systems Protection Engineering Training Idc
 - Highlighting and Note-Taking Power Systems Protection Engineering Training Idc
 - Interactive Elements Power Systems Protection Engineering Training Idc
- 8. Staying Engaged with Power Systems Protection Engineering Training Idc
 - Joining Online Reading Communities
 - Participating in Virtual Book Clubs
 - Following Authors and Publishers Power Systems Protection Engineering Training Idc
- 9. Balancing eBooks and Physical Books Power Systems Protection Engineering Training Idc
 - Benefits of a Digital Library
 - Creating a Diverse Reading Collection Power Systems Protection Engineering Training Idc
- 10. Overcoming Reading Challenges
 - Dealing with Digital Eye Strain
 - Minimizing Distractions
 - Managing Screen Time
- 11. Cultivating a Reading Routine Power Systems Protection Engineering Training Idc
 - Setting Reading Goals Power Systems Protection Engineering Training Idc
 - Carving Out Dedicated Reading Time
- 12. Sourcing Reliable Information of Power Systems Protection Engineering Training Idc
 - Fact-Checking eBook Content of Power Systems Protection Engineering Training Idc
 - Distinguishing Credible Sources

13. Promoting Lifelong Learning
 - Utilizing eBooks for Skill Development
 - Exploring Educational eBooks
14. Embracing eBook Trends
 - Integration of Multimedia Elements
 - Interactive and Gamified eBooks

Power Systems Protection Engineering Training Idc Introduction

Free PDF Books and Manuals for Download: Unlocking Knowledge at Your Fingertips In today's fast-paced digital age, obtaining valuable knowledge has become easier than ever. Thanks to the internet, a vast array of books and manuals are now available for free download in PDF format. Whether you are a student, professional, or simply an avid reader, this treasure trove of downloadable resources offers a wealth of information, conveniently accessible anytime, anywhere. The advent of online libraries and platforms dedicated to sharing knowledge has revolutionized the way we consume information. No longer confined to physical libraries or bookstores, readers can now access an extensive collection of digital books and manuals with just a few clicks. These resources, available in PDF, Microsoft Word, and PowerPoint formats, cater to a wide range of interests, including literature, technology, science, history, and much more. One notable platform where you can explore and download free Power Systems Protection Engineering Training Idc PDF books and manuals is the internet's largest free library. Hosted online, this catalog compiles a vast assortment of documents, making it a veritable goldmine of knowledge. With its easy-to-use website interface and customizable PDF generator, this platform offers a user-friendly experience, allowing individuals to effortlessly navigate and access the information they seek. The availability of free PDF books and manuals on this platform demonstrates its commitment to democratizing education and empowering individuals with the tools needed to succeed in their chosen fields. It allows anyone, regardless of their background or financial limitations, to expand their horizons and gain insights from experts in various disciplines. One of the most significant advantages of downloading PDF books and manuals lies in their portability. Unlike physical copies, digital books can be stored and carried on a single device, such as a tablet or smartphone, saving valuable space and weight. This convenience makes it possible for readers to have their entire library at their fingertips, whether they are commuting, traveling, or simply enjoying a lazy afternoon at home. Additionally, digital files are easily searchable, enabling readers to locate specific information within seconds. With a few keystrokes, users can search for keywords, topics, or phrases, making research and finding relevant information a breeze. This efficiency saves time and effort, streamlining the learning process and allowing individuals to focus on extracting the information they need. Furthermore, the availability of free PDF books and manuals

fosters a culture of continuous learning. By removing financial barriers, more people can access educational resources and pursue lifelong learning, contributing to personal growth and professional development. This democratization of knowledge promotes intellectual curiosity and empowers individuals to become lifelong learners, promoting progress and innovation in various fields. It is worth noting that while accessing free Power Systems Protection Engineering Training Idc PDF books and manuals is convenient and cost-effective, it is vital to respect copyright laws and intellectual property rights. Platforms offering free downloads often operate within legal boundaries, ensuring that the materials they provide are either in the public domain or authorized for distribution. By adhering to copyright laws, users can enjoy the benefits of free access to knowledge while supporting the authors and publishers who make these resources available. In conclusion, the availability of Power Systems Protection Engineering Training Idc free PDF books and manuals for download has revolutionized the way we access and consume knowledge. With just a few clicks, individuals can explore a vast collection of resources across different disciplines, all free of charge. This accessibility empowers individuals to become lifelong learners, contributing to personal growth, professional development, and the advancement of society as a whole. So why not unlock a world of knowledge today? Start exploring the vast sea of free PDF books and manuals waiting to be discovered right at your fingertips.

FAQs About Power Systems Protection Engineering Training Idc Books

1. Where can I buy Power Systems Protection Engineering Training Idc books? Bookstores: Physical bookstores like Barnes & Noble, Waterstones, and independent local stores. Online Retailers: Amazon, Book Depository, and various online bookstores offer a wide range of books in physical and digital formats.
2. What are the different book formats available? Hardcover: Sturdy and durable, usually more expensive. Paperback: Cheaper, lighter, and more portable than hardcovers. E-books: Digital books available for e-readers like Kindle or software like Apple Books, Kindle, and Google Play Books.
3. How do I choose a Power Systems Protection Engineering Training Idc book to read? Genres: Consider the genre you enjoy (fiction, non-fiction, mystery, sci-fi, etc.). Recommendations: Ask friends, join book clubs, or explore online reviews and recommendations. Author: If you like a particular author, you might enjoy more of their work.
4. How do I take care of Power Systems Protection Engineering Training Idc books? Storage: Keep them away from direct sunlight and in a dry environment. Handling: Avoid folding pages, use bookmarks, and handle them with clean hands. Cleaning: Gently dust the covers and pages occasionally.
5. Can I borrow books without buying them? Public Libraries: Local libraries offer a wide range of books for borrowing.

-
- Book Swaps: Community book exchanges or online platforms where people exchange books.
6. How can I track my reading progress or manage my book collection? Book Tracking Apps: Goodreads, LibraryThing, and Book Catalogue are popular apps for tracking your reading progress and managing book collections. Spreadsheets: You can create your own spreadsheet to track books read, ratings, and other details.
 7. What are Power Systems Protection Engineering Training Idc audiobooks, and where can I find them? Audiobooks: Audio recordings of books, perfect for listening while commuting or multitasking. Platforms: Audible, LibriVox, and Google Play Books offer a wide selection of audiobooks.
 8. How do I support authors or the book industry? Buy Books: Purchase books from authors or independent bookstores. Reviews: Leave reviews on platforms like Goodreads or Amazon. Promotion: Share your favorite books on social media or recommend them to friends.
 9. Are there book clubs or reading communities I can join? Local Clubs: Check for local book clubs in libraries or community centers. Online Communities: Platforms like Goodreads have virtual book clubs and discussion groups.
 10. Can I read Power Systems Protection Engineering Training Idc books for free? Public Domain Books: Many classic books are available for free as they're in the public domain. Free E-books: Some websites offer free e-books legally, like Project Gutenberg or Open Library.

Find Power Systems Protection Engineering Training Idc :

States 66-952 weight loss for beginners for small business 66-1619

States 66-2700 ecommerce trends trends for creators 66-2212 ecommerce

ideas guide for startups 66-889 passive income ideas ideas United States

software for startups 66-1052 AI tools step by step America 66-877 AI

for entrepreneurs 66-2547 interview tips guide for startups 66-2654

remote work tutorial for entrepreneurs 66-726 remote work tutorial for

strategies United States 66-2302 side hustles strategies United States

66-2 crypto trading comparison America 66-2904 crypto trading comparison

step by step America 66-651 AI marketing step by step USA 66-1073 AI

entrepreneurs 66-1493 wearable technology apps United States 66-61

for entrepreneurs 66-1335 personal finance roadmap for small business

startups 66-2383 AI tools checklist for small business 66-842 AI tools

66-579 AI tools comparison for startups 66-2322 AI tools examples for
66-1147 minimalist lifestyle apps United States 66-589 minimalist
automation tools for small business 66-1633 business automation trends

Power Systems Protection Engineering Training Idc :

israelijudaism portrait of a cultural revolution paperback - Jun 01 2022

web israelijudaism portrait of a cultural revolution ebook rosner shmuel fuchs camil amazon ca books

israelijudaism portrait of a cultural revolution fuchs camil - Jun 13 2023

web 9 rows it introduces israeli culture to the non israeli reader in a fresh way while shedding light on

israelijudaism portrait of a cultural revolution paperback - Nov 06 2022

web dec 19 2018 as the subtitle for our book states a portrait of a cultural revolution israel we strongly believe is indeed a
hub of a revolutionized judaism it is the hub of a

israelijudaism portrait of a cultural revolution amazon in - Jul 02 2022

web israelijudaism portrait of a cultural revolution rosner shmuel fuchs camil amazon ca books

amazon in customer reviews israelijudaism portrait of a - Feb 26 2022

israelijudaism portrait of a cultural revolution academia edu - Dec 07 2022

web israelijudaism portrait of a cultural revolution ebook rosner shmuel fuchs camil amazon co uk books

jewsraelis a cultural revolution jewish journal - Sep 04 2022

web israelijudaism portrait of a cultural revolution fuchs camil rosner shmuel amazon in books

israelijudaism portrait of a cultural revolution paperback - Apr 30 2022

web find helpful customer reviews and review ratings for israelijudaism portrait of a cultural revolution at amazon com read
honest and unbiased product reviews from our users

israelijudaism portrait of a cultural revolution kindle edition - Oct 05 2022

web find helpful customer reviews and review ratings for israelijudaism portrait of a cultural revolution at amazon com read
honest and unbiased product reviews from our users

israelijudaism portrait of a cultural revolution amazon com - Aug 15 2023

web aug 29 2019 it introduces israeli culture to the non israeli reader in a fresh way while shedding light on why israel and
the diaspora face a great divide israelijudaism is a

israelijudaism portrait of a cultural revolution by - Jan 08 2023

web aug 29 2019 israelijudaism portrait of a cultural revolution 282 by camil fuchs shmuel rosner view more add to wishlist
israelijudaism portrait of a cultural

[israelijudaism portrait of a cultural revolution](#) - Apr 11 2023

web it introduces israeli culture to the non israeli reader in a fresh way while shedding light on why israel and the diaspora
face a great divide israelijudaism is a must read for

amazon com au customer reviews israelijudaism portrait of a - Aug 03 2022

web buy israelijudaism portrait of a cultural revolution by rosner shmuel fuchs camil isbn 9789657549261 from amazon s
book store everyday low prices and free

israelijudaism portrait of a cultural revolution - Jul 14 2023

web israelijudaism portrait of a cultural revolution fuchs camil rosner shmuel amazon sg books

israelijudaism portrait of a cultural revolution shmuel rosner - May 12 2023

web israelijudaism portrait of a cultural revolution article rodman2020israelijudaism title israelijudaism portrait of a
cultural revolution author david rodman

israelijudaism portrait of a cultural revolution - Mar 10 2023

web israelijudaism portrait of a cultural revolution by shmuel rosner and camil fuchs jerusalem the jewish people policy
institute 2019 xi 269 pp 19 99 paperback

israelijudaism portrait of a cultural revolution - Oct 17 2023

web jun 16 2020 israelijudaism portrait of a cultural revolution by shmuel rosner and camil fuchs jerusalem the jewish
people policy institute 2019 xi 269 pp 19 99

israelijudaism portrait of a cultural revolution goodreads - Sep 16 2023

web sep 2 2019 israelijudaism portrait of a cultural revolution shmuel rosner camil fuchs 4 24 46 ratings 10 reviews a new
kind of judaism is emerging in the 21st

israelijudaism portrait of a cultural revolution ingenta connect - Feb 09 2023

web israelijudaism portrait of a cultural revolution by shmuel rosner and camil fuchs jerusalem the jewish people policy
debates within israeli jewish society tend to be

israelijudaism portrait of a cultural revolution ebook rosner - Mar 30 2022

clauses and phrases the leperchauns treasure answer sheet - May 11 2023

web displaying top 4 worksheets found for clauses and phrases the leperchauns treasure answer sheet some of the
worksheets for this concept are clauses and phrases the

clauses and phrases the leprechauns treasure answer - Oct 04 2022

web leperchauns treasure worksheets there are 8 printable worksheets for this topic worksheets are clauses and phrases the leprechauns treasure leprec

clauses and phrases the leperchauns treasure answer sheet - Nov 24 2021

web clauses and phrases the leprechauns treasure answer right here we have countless ebook clauses and phrases the leprechauns treasure answer and collections to

clauses and phrases the leperchauns treasure answer sheet - Jan 07 2023

web showing top 4 worksheets in the category clauses and phrases the leperchauns treasure answer sheet some of the worksheets displayed are clauses and phrases

leperchauns treasure worksheets k12 workbook - Sep 22 2021

web saves in multipart countries allowing you to acquire the most less latency era to download any of our books with this one merely said the clauses and phrases the

clauses and phrases the leprechauns treasure answer - Nov 05 2022

web clauses and phrases the leprechauns treasure answer from out of nowhere the leprechaun appeared to mr morton giggling and doing an irish dance having never

clauses and phrases the leprechaun s treasure flashcards - Jul 13 2023

web clauses and phrases with leprechauns worksheet here s a fun leprechaun themed activity to help your students review clauses and phrases students will circle the

bookmark file clauses and phrases the leprechauns treasure - Aug 02 2022

web 1 clauses and phrases the leprechauns treasure loading 2 clauses and phrases the leprechauns treasure answer 3 clauses and phrases the leprechauns

leperchauns treasure worksheets teacher worksheets - Sep 03 2022

web sep 8 2023 bookmark file clauses and phrases the leprechauns treasure answer free download pdf curious english words and phrases the origins of words and

clauses and phrases the leprechauns treasure answer pdf - Jan 27 2022

web jul 5 2017 24 sentence examples 1 in irish folklore the leprechaun had a large piece of gold 2 no one had called her a leprechaun before 3 dada came in last a frozen

clauses and phrases the leprechauns treasure answer dawn - Oct 24 2021

web showing 8 worksheets for leperchauns treasure worksheets are clauses and phrases the leprechauns treasure leprechauns clauses and phrases the lepre

clauses and phrases the leperchauns treasure answer sheet - Dec 06 2022

web phrases the leprechauns treasure answer but end up in infectious downloads rather than enjoying a good book with a cup of coffee in the afternoon instead they juggled with

leprechaun in a sentence esp good sentence like quote - Dec 26 2021

web showing 4 worksheets for clauses and phrases the leperchauns treasure answer sheet worksheets are clauses and phrases the leprechauns treasure phras

clauses and phrases the leprechauns treasure answer - Feb 25 2022

web thank you for downloading clauses and phrases the leprechauns treasure answer as you may know people have look hundreds times for their chosen novels like this

clauses and phrases the leperchauns treasure answer sheet - Feb 08 2023

web clauses and phrases the leperchauns treasure answer sheet displaying top 4 worksheets found for this concept some of the worksheets for this concept are clauses

clauses and phrases the leprechauns treasure answer - Aug 22 2021

clauses and phrases the leprechaun s treasure - Aug 14 2023

web mr morton put his stuff in the car and walked toward the park feeling a little frightened by the fog a green fog as thick as a shamrock shake gathered over the baseball field

clauses and phrases the leprechauns treasure answer - Mar 29 2022

web 2 clauses and phrases the leprechauns treasure answer 2023 04 03 the transitive vampire cambridge university press esperanza s box of saints is a magical humorous

clauses and phrases the leperchauns treasure answer sheet - Apr 10 2023

web displaying 4 worksheets for clauses and phrases the leperchauns treasure answer sheet worksheets are clauses and phrases the leprechauns treasure ph clauses

clauses and phrases the leprechauns treasure answer - May 31 2022

web acces pdf clauses and phrases the leprechauns treasure answer understanding these well loved magickal practices this book reveals why folk magick works and

clauses and phrases the leperchauns treasure answer sheet - Mar 09 2023

web displaying all worksheets related to clauses and phrases the leperchauns treasure answer sheet worksheets are clauses and phrases the leprechauns treasure

clauses and phrases with leprechauns worksheet - Jun 12 2023

web showing top 4 worksheets in the category clauses and phrases the leprechauns treasure answer sheet some of the worksheets displayed are clauses and phrases

clauses and phrases the leprechauns treasure answer - Apr 29 2022

web clauses and phrases the leprechauns treasure answer 1 clauses and phrases the leprechauns treasure answer a dialogue from 10 icehl the syntax of some

clauses and phrases the leprechauns treasure kiddy math - Jul 01 2022

web how can he ask his folks for new shoes as he heads into the basement on an errand michael hears someone singing it s o leary the leprechaun sitting next to his pot of

hartzell propeller inc service bulletin - Jul 19 2022

web or replacement per the repair chapter of hartzell manual 113b non feathering propellers or hartzell manual 117d feathering propellers c reason warning unexplained vibration or grease leakage where the condition initiated suddenly demand immediate inspection for possible cracked hub for further

thetech insider com - Nov 10 2021

web thetech insider com

makerbook net - Dec 12 2021

web makerbook net

hc sb 61 118f rev 1 hartzell propeller - Apr 27 2023

web inspect the retention radius in accordance with procedures in the blade shank overhaul chapter of hartzell aluminum blade overhaul manual 133c 61 13 33 to establish acceptability and or extent of necessary rework hc sb 61 118f blades rework procedures for y shank aluminum blade bearing retention radius

hartzell propeller inc service letter - Jan 25 2023

web november 13 2009 this page transmits a revision to service letter hc sl 61 61y original dated may 9 69 revision a dated april 15 76 revision b dated september 10 76 revision c dated november 28 77 revision d dated february 23 78 revision e dated march 26 79 revision f dated august 31 79 revision g dated august 20 80

hartzell overhaul manual 117d help environment harvard edu - Jan 13 2022

web hartzell overhaul manual 117d thank you for downloading hartzell overhaul manual 117d as you may know people have look numerous times for their favorite novels like this hartzell overhaul manual 117d but end up in harmful downloads rather than enjoying a good book with a cup of coffee in the afternoon instead they are facing with

hartzell aircraft propeller compact constant speed amd - Sep 20 2022

web hartzell propeller compact constant speed amd feathering overhaul and maintenance manual 117d english language

disclaimer this item is sold for historical and reference only

hartzell propeller inc service letter rockyprop com - Nov 22 2022

web propeller overhaul periods and service life limits for hartzell propellers governors and propeller damper assemblies
november 5 2008 this page transmits a revision to service letter hc sl 61 61y original dated may 9 69 revision a dated april 15
76 revision b dated september 10 76 revision c dated november 28 77

overhaul periods and service life limits for hartzell components - Oct 22 2022

web mar 8 2001 hartzell manual 117d ata 61 10 17 compact constant speed and feathering propeller overhaul and
maintenance hartzell manual 118f ata 61 10 18 steel hub turbine propeller maintenance manual hartzell manual 132 ata 61
10 33 five blade turbine engine propeller overhaul

hartell propeller inc service bulletin - Apr 15 2022

web and aerobatic 4 propeller overhaul and maintenance manual 113b 61 10 13 2 hartzell propeller inc compact constant
speed and feathering propeller overhaul and maintenance manual 117d 61 10 17 3 hartzell propeller inc four blade
lightweight turbine propeller overhaul manual 141 61 10 41 4 hartzell propeller inc

hartzell propeller library atp store - Feb 11 2022

web caveats if you plan on accessing your veryon publications on a mobile device you will need to download the veryon
publications mobile app the mobile app can details propeller spinner system hartzell propeller inc 101298 hybrid 102870
103409 hybrid 103585 hybrid publications publications included hartzell propeller inc

propeller owner s manual hartzell propeller - Oct 02 2023

web page 1 meage1 4 rev 22 may 23 hartzell propeller wners manual 14 as a fellow pilot i urge you to read this manual
thoroughly it contains a wealth of information about your new propeller the propeller is among the most reliable components
of your airplane it is also among the most critical to flight safety

europaen aviation safety agency easa - Mar 27 2023

web airworthiness limitations hartzell manuals 113 115n 117 or 145 overspeed and overtorque limits hartzell manual 202
instruction for continued airworthiness hartzell manual 113b 117d 127 133c 135f and 202a propeller integration manual
hartzell manual 191 propeller owner s manual hartzell manual 145

115n hartzell propeller manual pdf propeller rotating - Aug 20 2022

web description of revision adds airworthiness limitation information from hartzell overhaul manual 113b 61 10 13 and
hartzell overhaul manual 117d 61 10 17 added cylinder life limits for propeller model hc c 2 3 yr 4 b c f fc8477 4r and
corrected the engine model number for aviatt pitts s 2s s 2b airworthiness limitations 61 00 15 page 15

faa approved manuals hartzell propeller inc - Jun 29 2023

web read current versions of faa approved manuals to operate and maintain your hartzell propeller all of these manuals are available as a free download north america 1 800 942 7767 international 1 937 778 4200

hartzell propeller inc alert service bulletin - Jun 17 2022

web hartzell manual 113b 61 10 13 compact non feathering and aerobatic propeller overhaul and maintenance manual
hartzell manual 117d 61 10 17 compact constant speed and feathering propeller overhaul instructions hartzell manual 202a
61 01 02 standard practices manual hartzell manual 115n 61 00 15 propeller owner s manual

propeller owner s manual hartzell propeller - Sep 01 2023

web propeller owner s manual manual no 115n 61 00 15 revision 26 august 2023 propeller owner s manual and logbook
compact models with aluminum blades constant speed non counterweighted hc y 1 constant speed counterweighted hc y 4
constant speed and feathering hc y 2

hartzell owner s manuals hartzell propeller inc - Jul 31 2023

web jan 1 1999 hartzell owner s manuals provide instructions for continued airworthiness ica information includes a
description and operation of the propeller installation and removal instructions testing and troubleshooting information
inspection and check and maintenance practices information

external manual revision status hartzell propeller - May 29 2023

web 106r 61 00 06 propeller owner s manual logbook for propeller models hc 82x hc a2 hc a3 hc 82z hc 83 hc 92w hc 83x hc
83z obsolete replaced by manuals 168 169 and 175 replaced by manuals 168 169 and 175 replaced by manuals 168 169 and
175 107

hartzell compact propeller manual pdf document - May 17 2022

web oct 24 2014 reference publicationsthe following publications are referenced within this manual hartzell manual no
113b 61 10 13 compact non feathering 1 and aerobatic 4 propeller overhaul and maintenance manualhartzell manual no
117d 61 10 17 compact constant speed and feathering propeller overhaul and maintenance

propeller owner s manual hartzell propeller - Dec 24 2022

web propeller overhaul is strongly recommended to accomplish periodic internal inspection visually inspect metal blades for
cracks inspect hubs overhaul manual 113b 61 10 13 and hartzell overhaul manual 117d 61 10 17 16 added cylinder life limits
for propeller model hc c 2 3 yr 4 b c f fc8477 4r and corrected the engine

manual 118 hartzell overhaul aerroval - Mar 15 2022

web manual 118 nomenclature hartzell overhaul supersedure reference manufactuer oem hawker beechcraft textron location
wichita ks usa website txtav com cage code fscm 70898 product classification aircraft part model reference beech
commercial spares market segment aftermarket aircraft type

hartzell hc y 1 series owner s manual and logbook - Feb 23 2023

web page 17 federal aviation administration rev description of revision adds airworthiness limitation information from hartzell overhaul manual 113b 61 10 13 and hartzell overhaul manual 117d 61 10 17 added cylinder life limits for propeller model hc c 2 3 yr 4 b c f fc8477 4r and corrected the engine model number for aviatt pitts s