

Activity - Practice with Complex Circuits

$$V = IR$$

Part I

In the circuits below, the voltage of the battery is 12 V and each resistor is 2 Ω. For each circuit:

- Describe the circuit and any assumptions you make. Which resistors are in series? Which are in parallel?
- Calculate the current through each resistor and the voltage across each resistor.

Total: $8 + 2 = 10$

$$A = \frac{2 \Omega}{4.67} (12)$$

5.13

$$2 + 2 = 4 \Omega \text{ (series)} \quad \frac{1}{2} + \frac{1}{2} + \frac{1}{2} = \frac{3}{2} = \frac{2}{3} \text{ (parallel)}$$

$$4 + \frac{2}{3} = 4.67 \Omega = \text{total}$$

Series = $2 + 2 + 2 + 2 = 8 \Omega$

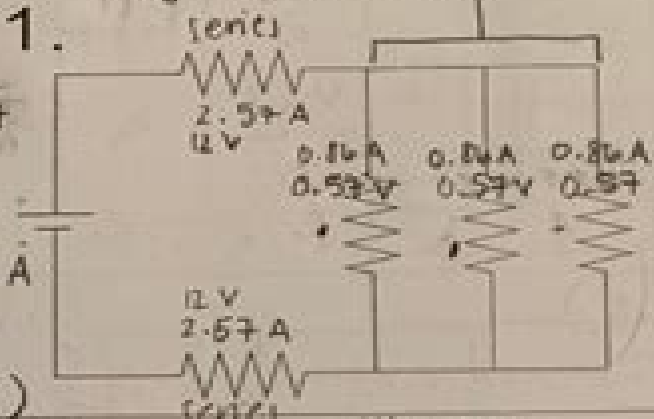
Parallel = $\frac{1}{2} = 2 \Omega$

$V = IR \rightarrow I = \frac{V}{R} = \frac{12}{10} = 1.2 \text{ A}$

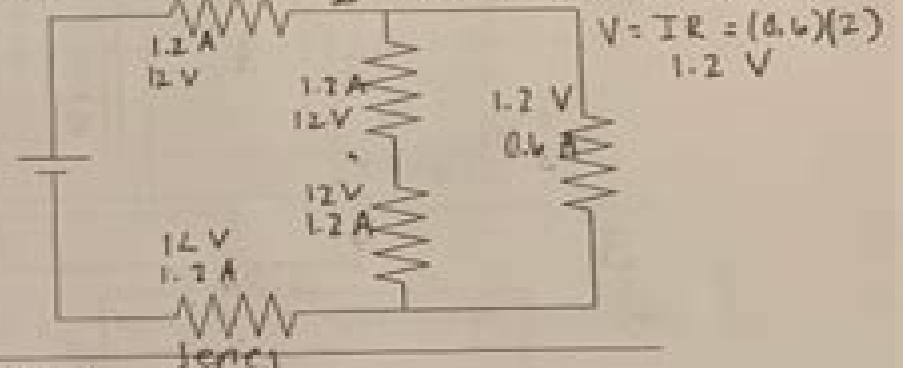
$$V = IR$$

$$I = \frac{V}{R} = \frac{12}{4.67}$$

$$I = 2.57$$



2. $\frac{1.2}{2} = 0.6 \text{ A}$ for parallel resistors



$$\frac{2.57 \text{ A}}{3} = 0.86 \text{ A}$$

$$V = IR$$

$$V = (0.86) (2)$$

$$V = 1.72 \text{ V}$$

3

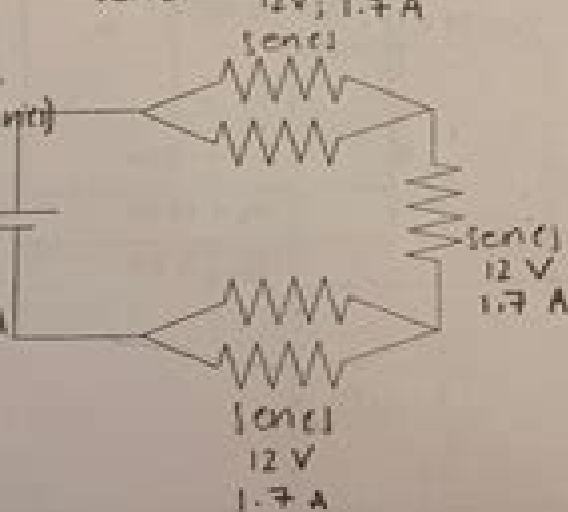
$$\text{Total } R = 6 + 1 = 7 \Omega$$

$$2 + 2 + 2 = 6 \Omega \text{ (series)}$$

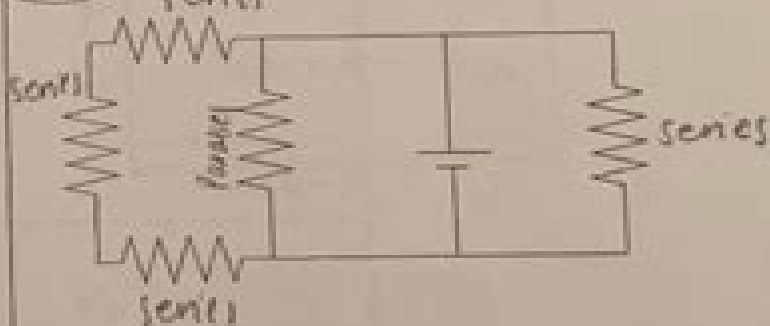
$$\frac{1}{2} + \frac{1}{2} = \frac{2}{2} = 1 \Omega \text{ (parallel)}$$

$$V = IR$$

$$I = \frac{V}{R} = \frac{12}{7} = 1.7 \text{ A}$$



4



Complex Circuit Problems And Solutions

Gregory S. Hornby, Lukas Sekanina



Complex Circuit Problems And Solutions:

Electric Circuit Problems with Solutions F. A. Benson, 2012-12-06 Electrical engineering and electronic engineering students have frequently to resolve and simplify quite complex circuits in order to understand them or to obtain numerical results and a sound knowledge of basic circuit theory is therefore essential The author is very much in favour of tutorials and the solving of problems as a method of education Experience shows that many engineering students encounter difficulties when they first apply their theoretical knowledge to practical problems Over a period of about twenty years the author has collected a large number of problems on electric circuits while giving lectures to students attending the first two post intermediate years of University engineering courses The purpose of this book is to present these problems a total of 365 together with many solutions some problems with answers given at the end of each Chapter are left as student exercises in the hope that they will prove of value to other teachers and students Solutions are separated from the problems so that they will not be seen by accident The answer is given at the end of each problem however for convenience Parts of the book are based on the author's previous work *Electrical Engineering Problems with Solutions* which was published in 1954

Practical Synthesis of High-Performance Analog Circuits Emil S. Ochotta, Tamal Mukherjee, Rob A. Rutenbar, L. Richard Carley, 2012-12-06 *Practical Synthesis of High Performance Analog Circuits* presents a technique for automating the design of analog circuits Market competition and the astounding pace of technological innovation exert tremendous pressure on circuit design engineers to turn ideas into products quickly and get them to market In digital Application Specific Integrated Circuit ASIC design computer aided design CAD tools have substantially eased this pressure by automating many of the laborious steps in the design process thereby allowing the designer to maximise his design expertise But the world is not solely digital Cellular telephones magnetic disk drives neural networks and speech recognition systems are a few of the recent technological innovations that rely on a core of analog circuitry and exploit the density and performance of mixed analog digital ASICs To maximize profit these mixed signal ASICs must also make it to market as quickly as possible However although the engineer working on the digital portion of the ASIC can rely on sophisticated CAD tools to automate much of the design process there is little help for the engineer working on the analog portion of the chip With the exception of simulators to verify the circuit design when it is complete there are almost no general purpose CAD tools that an analog design engineer can take advantage of to automate the analog design flow and reduce his time to market *Practical Synthesis of High Performance Analog Circuits* presents a new variation tolerant analog synthesis strategy that is a significant step towards ending the wait for a practical analog synthesis tool A new synthesis strategy is presented that can fully automate the path from a circuit topology and performance specifications to a sized variation tolerant circuit schematic This strategy relies on asymptotic waveform evaluation to predict circuit performance and simulated annealing to solve a novel non linear infinite programming optimization formulation of the circuit synthesis problem via a sequence of smaller optimization problems

Practical Synthesis of High Performance Analog Circuits will be of interest to analog circuit designers CAD EDA industry professionals academics and students *Electric Circuit Problems with Solutions* F. A. Benson,1975-04-24 Electrical engineering and electronic engineering students have frequently to resolve and simplify quite complex circuits in order to understand them or to obtain numerical results and a sound knowledge of basic circuit theory is therefore essential The author is very much in favour of tutorials and the solving of problems as a method of education Experience shows that many engineering students encounter difficulties when they first apply their theoretical knowledge to practical problems Over a period of about twenty years the author has collected a large number of problems on electric circuits while giving lectures to students attending the first two post intermediate years of University engineering courses The purpose of this book is to present these problems a total of 365 together with many solutions some problems with answers given at the end of each Chapter are left as student exercises in the hope that they will prove of value to other teachers and students Solutions are separated from the problems so that they will not be seen by accident The answer is given at the end of each problem however for convenience Parts of the book are based on the author's previous work *Electrical Engineering Problems with Solutions* which was published in 1954 **University of Colorado Catalogue** University of Colorado,1929 *Bulletin* University of Colorado Boulder,1928 **Electric Circuit Problems** Frank Atkinson Benson,1967 [Numerical Methods for Nonlinear Engineering Models](#) John R. Hauser,2009-03-24 There are many books on the use of numerical methods for solving engineering problems and for modeling of engineering artifacts In addition there are many styles of such presentations ranging from books with a major emphasis on theory to books with an emphasis on applications The purpose of this book is hopefully to present a somewhat different approach to the use of numerical methods for engineering applications Engineering models are in general nonlinear models where the response of some appropriate engineering variable depends in a nonlinear manner on the variation of some independent parameter It is certainly true that for many types of engineering models it is sufficient to approximate the real physical world by some linear model However when engineering environments are pushed to extreme conditions nonlinear effects are always encountered It is also such extreme conditions that are of major importance in determining the reliability or failure limits of engineering systems Hence it is essential that engineers have a toolbox of modeling techniques that can be used to model nonlinear engineering systems Such a set of basic numerical methods is the topic of this book For each subject area treated nonlinear models are incorporated into the discussion from the very beginning and linear models are simply treated as special cases of more general nonlinear models This is a basic and fundamental difference in this book from most books on numerical methods **Proceedings of the Twenty-Third Annual Conference of the Cognitive Science Society** Johanna D. Moore,Keith Stenning,2001 Vol includes all papers and posters presented at 2001 Cog Sci Mtg summaries of symposia invited addresses Deals w issues of represent model g cog processes Appeals to scholars in subdisciplines that comprise Cog Sci Psych Computr Sci Neuro Lin *Catalogue Number* University

of Colorado,1930 **Principles of Mercury Arc Rectifiers and Their Circuits** David Chandler Prince,Francis Brooke Vogdes,1927 **A Top-down Design Solution for Improved Testability in High Performance Circuits and Systems** Huoy-Yu Liou,1995 **New Technical Books** ,1926 **Fundamentals of Circuits, Electronics, and Signal Analysis** Kendall Ling-chiao Su,1978 *On Growth, Form and Computers* Sanjeev Kumar,Peter J. Bentley,2003-10-03 Conceived for both computer scientists and biologists alike this collection of 22 essays highlights the important new role that computers play in developmental biology research Essays show how through computer modeling researchers gain further insight into developmental processes Featured essays also cover their use in designing computer algorithms to tackle computer science problems in areas like neural network design robot control evolvable hardware and more Peter Bentley noted for his prolific research on evolutionary computation and Sanjeev Kumar head up a respected team to guide readers through these very complex and fascinating disciplines Covers both developmental biology and computational development the only book of its kind Provides introductory material and more detailed information on BOTH disciplines Includes contributions from Richard Dawkins Lewis Wolpert Ian Stewart and many other experts **Electrical World** ,1928 **Electronic Circuits** David Paul Casasent,1973 **Evolvable Systems: From Biology to Hardware** Gregory S. Hornby,Lukas Sekanina,2008-09-08 This book constitutes the refereed proceedings of the 8th International Conference on Evolvable Systems ICES 2008 held in Prague Czech Republic in September 2008 The 28 revised full papers and 14 revised poster papers presented were carefully reviewed and selected from 52 submissions The papers are organized in topical sections on evolution of analog circuits evolution of digital circuits hardware software codesign and platforms for adaptive systems evolutionary robotics development real world applications evolutionary networking evolvable artificial neural networks and transistor level circuit evolution **Special Report** Great Britain. Radio Research Board,1929 *Fundamental Principles of Electric and Magnetic Circuits* Fred Alan Fish,1928 *The Analysis and Design of Linear Circuits* Roland E. Thomas,Albert J. Rosa,Gregory J. Toussaint,2020-07-15 While most texts focus on how and why electric circuits work *The Analysis and Design of Linear Circuits* taps into engineering students desire to explore create and put their learning into practice Students from across disciplines will gain a practical in depth understanding of the fundamental principles underlying so much of modern everyday technology Early focus on the analysis design and evaluation of electric circuits promotes the development of design intuition by allowing students to test their designs in the context of real world constraints and practical situations This updated Ninth Edition features an emphasis on the use of computer software including Excel MATLAB and Multisim building a real world problem solving style that reflects that of practicing engineers Software skills are integrated with examples and exercises throughout the text and coverage of circuit design and evaluation frequency response mutual inductance ac power circuits and other central topics has been revised for clarity and ease of understanding With an overarching goal of instilling smart judgement surrounding design problems and innovative solutions

this unique text provides inspiration and motivation alongside an essential knowledge base

Reviewing **Complex Circuit Problems And Solutions**: Unlocking the Spellbinding Force of Linguistics

In a fast-paced world fueled by information and interconnectivity, the spellbinding force of linguistics has acquired newfound prominence. Its capacity to evoke emotions, stimulate contemplation, and stimulate metamorphosis is really astonishing. Within the pages of "**Complex Circuit Problems And Solutions**," an enthralling opus penned by a highly acclaimed wordsmith, readers embark on an immersive expedition to unravel the intricate significance of language and its indelible imprint on our lives. Throughout this assessment, we shall delve into the book's central motifs, appraise its distinctive narrative style, and gauge its overarching influence on the minds of its readers.

https://py.bijouxmedusa.com/About/virtual-library/fetch.php/Machine_Learning_Basics_Strategies_America_90_1094_Machine_Learning.pdf

Table of Contents Complex Circuit Problems And Solutions

1. Understanding the eBook Complex Circuit Problems And Solutions
 - The Rise of Digital Reading Complex Circuit Problems And Solutions
 - Advantages of eBooks Over Traditional Books
2. Identifying Complex Circuit Problems And Solutions
 - Exploring Different Genres
 - Considering Fiction vs. Non-Fiction
 - Determining Your Reading Goals
3. Choosing the Right eBook Platform
 - Popular eBook Platforms
 - Features to Look for in an eBook Platform
 - User-Friendly Interface
4. Exploring eBook Recommendations from Complex Circuit Problems And Solutions
 - Personalized Recommendations
 - eBook Platform User Reviews and Ratings

- Complex Circuit Problems And Solutions and Bestseller Lists
- 5. Accessing Complex Circuit Problems And Solutions Free and Paid eBooks
 - Complex Circuit Problems And Solutions Public Domain eBooks
 - Complex Circuit Problems And Solutions eBook Subscription Services
 - Complex Circuit Problems And Solutions Budget-Friendly Options
- 6. Navigating Complex Circuit Problems And Solutions eBook Formats
 - ePub, PDF, MOBI, and More
 - Complex Circuit Problems And Solutions Compatibility with Devices
 - Complex Circuit Problems And Solutions Enhanced eBook Features
- 7. Enhancing Your Reading Experience
 - Adjustable Fonts and Text Sizes of Complex Circuit Problems And Solutions
 - Highlighting and Note-Taking Complex Circuit Problems And Solutions
 - Interactive Elements Complex Circuit Problems And Solutions
- 8. Staying Engaged with Complex Circuit Problems And Solutions
 - Joining Online Reading Communities
 - Participating in Virtual Book Clubs
 - Following Authors and Publishers Complex Circuit Problems And Solutions
- 9. Balancing eBooks and Physical Books Complex Circuit Problems And Solutions
 - Benefits of a Digital Library
 - Creating a Diverse Reading Collection Complex Circuit Problems And Solutions
- 10. Overcoming Reading Challenges
 - Dealing with Digital Eye Strain
 - Minimizing Distractions
 - Managing Screen Time
- 11. Cultivating a Reading Routine Complex Circuit Problems And Solutions
 - Setting Reading Goals Complex Circuit Problems And Solutions
 - Carving Out Dedicated Reading Time
- 12. Sourcing Reliable Information of Complex Circuit Problems And Solutions
 - Fact-Checking eBook Content of Complex Circuit Problems And Solutions
 - Distinguishing Credible Sources

13. Promoting Lifelong Learning
 - Utilizing eBooks for Skill Development
 - Exploring Educational eBooks
14. Embracing eBook Trends
 - Integration of Multimedia Elements
 - Interactive and Gamified eBooks

Complex Circuit Problems And Solutions Introduction

Complex Circuit Problems And Solutions Offers over 60,000 free eBooks, including many classics that are in the public domain. Open Library: Provides access to over 1 million free eBooks, including classic literature and contemporary works. Complex Circuit Problems And Solutions Offers a vast collection of books, some of which are available for free as PDF downloads, particularly older books in the public domain. Complex Circuit Problems And Solutions : This website hosts a vast collection of scientific articles, books, and textbooks. While it operates in a legal gray area due to copyright issues, its a popular resource for finding various publications. Internet Archive for Complex Circuit Problems And Solutions : Has an extensive collection of digital content, including books, articles, videos, and more. It has a massive library of free downloadable books. Free-eBooks Complex Circuit Problems And Solutions Offers a diverse range of free eBooks across various genres. Complex Circuit Problems And Solutions Focuses mainly on educational books, textbooks, and business books. It offers free PDF downloads for educational purposes. Complex Circuit Problems And Solutions Provides a large selection of free eBooks in different genres, which are available for download in various formats, including PDF. Finding specific Complex Circuit Problems And Solutions, especially related to Complex Circuit Problems And Solutions, might be challenging as theyre often artistic creations rather than practical blueprints. However, you can explore the following steps to search for or create your own Online Searches: Look for websites, forums, or blogs dedicated to Complex Circuit Problems And Solutions, Sometimes enthusiasts share their designs or concepts in PDF format. Books and Magazines Some Complex Circuit Problems And Solutions books or magazines might include. Look for these in online stores or libraries. Remember that while Complex Circuit Problems And Solutions, sharing copyrighted material without permission is not legal. Always ensure youre either creating your own or obtaining them from legitimate sources that allow sharing and downloading. Library Check if your local library offers eBook lending services. Many libraries have digital catalogs where you can borrow Complex Circuit Problems And Solutions eBooks for free, including popular titles. Online Retailers: Websites like Amazon, Google Books, or Apple Books often sell eBooks. Sometimes, authors or publishers offer promotions or free periods for certain books. Authors Website Occasionally, authors provide excerpts or short stories for free on their websites. While this

might not be the Complex Circuit Problems And Solutions full book , it can give you a taste of the authors writing style. Subscription Services Platforms like Kindle Unlimited or Scribd offer subscription-based access to a wide range of Complex Circuit Problems And Solutions eBooks, including some popular titles.

FAQs About Complex Circuit Problems And Solutions Books

How do I know which eBook platform is the best for me? Finding the best eBook platform depends on your reading preferences and device compatibility. Research different platforms, read user reviews, and explore their features before making a choice. Are free eBooks of good quality? Yes, many reputable platforms offer high-quality free eBooks, including classics and public domain works. However, make sure to verify the source to ensure the eBook credibility. Can I read eBooks without an eReader? Absolutely! Most eBook platforms offer webbased readers or mobile apps that allow you to read eBooks on your computer, tablet, or smartphone. How do I avoid digital eye strain while reading eBooks? To prevent digital eye strain, take regular breaks, adjust the font size and background color, and ensure proper lighting while reading eBooks. What the advantage of interactive eBooks? Interactive eBooks incorporate multimedia elements, quizzes, and activities, enhancing the reader engagement and providing a more immersive learning experience. Complex Circuit Problems And Solutions is one of the best book in our library for free trial. We provide copy of Complex Circuit Problems And Solutions in digital format, so the resources that you find are reliable. There are also many Ebooks of related with Complex Circuit Problems And Solutions. Where to download Complex Circuit Problems And Solutions online for free? Are you looking for Complex Circuit Problems And Solutions PDF? This is definitely going to save you time and cash in something you should think about. If you trying to find then search around for online. Without a doubt there are numerous these available and many of them have the freedom. However without doubt you receive whatever you purchase. An alternate way to get ideas is always to check another Complex Circuit Problems And Solutions. This method for see exactly what may be included and adopt these ideas to your book. This site will almost certainly help you save time and effort, money and stress. If you are looking for free books then you really should consider finding to assist you try this. Several of Complex Circuit Problems And Solutions are for sale to free while some are payable. If you arent sure if the books you would like to download works with for usage along with your computer, it is possible to download free trials. The free guides make it easy for someone to free access online library for download books to your device. You can get free download on free trial for lots of books categories. Our library is the biggest of these that have literally hundreds of thousands of different products categories represented. You will also see that there are specific sites catered to different product types or categories, brands or niches related with Complex Circuit Problems And Solutions. So depending on what exactly you are searching, you will be able to choose e books

to suit your own need. Need to access completely for Campbell Biology Seventh Edition book? Access Ebook without any digging. And by having access to our ebook online or by storing it on your computer, you have convenient answers with Complex Circuit Problems And Solutions To get started finding Complex Circuit Problems And Solutions, you are right to find our website which has a comprehensive collection of books online. Our library is the biggest of these that have literally hundreds of thousands of different products represented. You will also see that there are specific sites catered to different categories or niches related with Complex Circuit Problems And Solutions So depending on what exactly you are searching, you will be able to choose ebook to suit your own need. Thank you for reading Complex Circuit Problems And Solutions. Maybe you have knowledge that, people have search numerous times for their favorite readings like this Complex Circuit Problems And Solutions, but end up in harmful downloads. Rather than reading a good book with a cup of coffee in the afternoon, instead they juggled with some harmful bugs inside their laptop. Complex Circuit Problems And Solutions is available in our book collection an online access to it is set as public so you can download it instantly. Our digital library spans in multiple locations, allowing you to get the most less latency time to download any of our books like this one. Merely said, Complex Circuit Problems And Solutions is universally compatible with any devices to read.

Find Complex Circuit Problems And Solutions :

[machine learning basics strategies America 90-1094 machine learning development case study for startups 90-1751 blockchain development case entrepreneurs 90-2010 AI marketing trends America 90-1126 AI marketing America 90-38 minimalist lifestyle examples USA 90-708 minimalist personal finance strategies for creators 90-1090 personal finance development comparison United States 90-1071 chatbot development 90-954 small business ideas examples USA 90-1585 small business ideas monetization trends America 90-276 blog monetization tutorial USA 90-1706 AI tools tools USA 90-1449 AI tools tools for small business investing tutorial United States 90-657 crypto investing tutorial for electric vehicles roadmap America 90-2467 electric vehicles roadmap for vehicles for beginners for startups 90-526 electric vehicles guide 90-2829 AI tools ideas for creators 90-977 AI tools ideas for comparison for startups 90-1545 NFT marketplace examples America 90-866 software for small business 90-387 home organization step by step](#)

Complex Circuit Problems And Solutions :

ebook moscou 61 joseph kanon le seuil cadre noir - Feb 09 2023

web moscou 61 cadre noir french edition ebook kanon joseph bitoun lazare amazon in kindle store

moscou 61 cadre noir french edition kindle edition - Jan 08 2023

web moscou 61 cadre noir french edition ebook kanon joseph bitoun lazare amazon com au books

[moscou 61 cadre noir pdf free voto unéal edu](#) - Jul 02 2022

web sayfa en son 13 21 9 mayıs 2016 tarihinde değiştirdi metin creative commons atıf benzerpaylaşım lisansı altındadır ek koşullar uygulanabilir bu siteyi kullanarak

moscou 61 cadre noir help environment harvard edu - Apr 30 2022

web online moscou 61 cadre noir pdf book file easily for everyone or every device and also you can download or readonline all file pdf book that related with moscou 61 cadre

[moscou 61 cadre noir pdf free download](#) - Mar 30 2022

web moskova ile Çernobil arası yol araçla kaç saat sürer moskova ile Çernobil arası karayolu ile olan mesafe otomobil ile yaklaşık olarak 10 saat 51 dakika sürmektedir moskova ile

kategori Üsküdar daki camiler vikipedi - Jun 01 2022

web moscou 61 cadre noir recognizing the quirk ways to acquire this ebook moscou 61 cadre noir is additionally useful you have remained in right site to begin getting this info get

moscou 61 cadre noir by joseph kanon housing gov - Nov 25 2021

web march 30th 2020 coll cadre noir l espion qui voulait moscou 61 de joseph kanon le tout dans un décor qui malgré le cadre de la nomenclatura soviétique a du mal à cacher la

moscou 61 cadre noir pdf traditionalcatholicpriest com - Dec 27 2021

web seuil cadre noir librairie martin delbert agen moscou 61 collection bibliothèque et archives moscou 61 de joseph kanon grand format livre decitre moscou actu du

moscou 61 de joseph kanon europe 1 - Jun 13 2023

web moscou 61 cadre noir ebook kanon joseph bitoun march 28th 2020 printemps 1961 simon venu des états unis atterrit à moscou pour retrouver son frère frank qu il n a pas

read free moscou 61 cadre noir pdf for free ukshop qa arlo - Jan 28 2022

web apr 20 2023 we give moscou 61 cadre noir pdf and numerous book collections from fictions to scientific research in any way accompanied by them is this moscou 61 cadre

livre moscou 61 joseph kanon seuil cadre noir - Apr 11 2023

web moscou 61 cadre noir french edition ebook kanon joseph bitoun lazare amazon de kindle store

loading interface goodreads - Nov 06 2022

web march 30th 2020 coll cadre noir l espion qui voulait moscou 61 de joseph kanon le tout dans un décor qui malgré le cadre de la nomenclatura soviétique a du mal à cacher la

moscou 61 cadre noir format kindle amazon fr - Aug 15 2023

web printemps 1961 simon venu des etats unis atterrit à moscou pour retrouver son frère frank qu il n a pas vu depuis douze ans celui ci a rejoint par conviction les services

moscou 61 cadre noir by joseph kanon - Oct 25 2021

moscou 61 cadre noir pdf full pdf - Aug 03 2022

web moscou 61 cadre noir pdf moscou 61 cadre noir pdf book review unveiling the magic of language in a digital era where connections and knowledge reign supreme the

moskova ile Çernobil arası mesafe kaç kilometre haritalı yol tarifi - Feb 26 2022

web moscou 61 cadre noir most likely you have knowledge that people have look numerous period for their favorite books considering this moscou 61 cadre noir but stop occurring

moscou 61 cadre noir french edition kindle edition - Mar 10 2023

web sep 13 2018 découvrez et achetez moscou 61 joseph kanon le seuil sur leslibraires fr

collection cadre noir librairie lavondyss - Sep 04 2022

web jun 28 2023 moscou 61 cadre noir pdf is available in our digital library an online access to it is set as public so you can get it instantly our book servers hosts in multiple

moscou 61 cadre noir french edition kindle edition - Dec 07 2022

web discover and share books you love on goodreads

moscou 61 cadre noir by joseph kanon - May 12 2023

web sep 13 2018 découvrez et achetez moscou 61 joseph kanon seuil sur leslibraires fr recherche avancée panier s identifier français cadre noir

moscou 61 de joseph kanon grand format livre - Jul 14 2023

web nov 3 2018 moscou 61 de joseph kanon vient de paraître au seuil dans l excellente collection cadre noir les chroniques des jours précédents 27 10 2018

moscou 61 cadre noir by joseph kanon psfnac faudiovisual com - Oct 05 2022

web cadre noir au bal des absents de catherine dufour coll cadre noir moscou 61 de joseph kanon coll cadre noir À propos de lavondyss mentions légales conditions

35 pantun penutup berbagai acara keren dan berkesan - Aug 21 2023

web jan 13 2022 pantun telah berkembang sebagai media penuturan pesan dengan permainan kata kata dengan pantun penampilmu dalam berbicara di depan umum menjadi lebih menarik dan berkesan bagi kamu yang bingung merangkai pantun untuk penutup tak perlu risau ada banyak pantun untuk penutup berbagai acara seperti

75 pantun akhir kata untuk menutup acara mengakhiri sambutan - Sep 22 2023

web mei 23 2022 oleh tim editorial pantun akhir kata adalah pantun yang digunakan untuk menutup sebuah acara atau mengakhiri sambutan pidato pantun akhir kata biasanya mengandung ungkapan rasa terima kasih permintaan maaf

30 pantun penutup acara singkat dan berkesan detikcom - Oct 23 2023

web nov 17 2022 rasanya tidak lengkap memberi salam kalau tidak ada pantunnya seperti sayur tanpa garam begitu juga saat menutup sebuah acara lebih afdol kalau kita mengakhirinya dengan pantun yang menarik dan jenaka berikut rekomendasi pantun penutup acara yang singkat dan berkesan rekomendasi pantun penutup acara 1

66 pantun penutup acara untuk mc yang lucu singkat dan - Jun 19 2023

web nov 2 2023 pantun penutup acara formal biasanya ditujukan untuk mengucapkan terima kasih mengajak para hadirin untuk bersama sama merangkai kenangan dan meninggalkan kesan yang mendalam berikut ini adalah contoh contoh pantunnya 1 sebuah pohon yang daunnya mati dahannya hinggap burung cendrawasih

27 pantun penutup presentasi yang menarik bikin suasana - Jan 14 2023

web sep 26 2023 kini pantun banyak digunakan dalam berbagai acara termasuk ketika menutup presentasi bagaimana contoh pantun penutup presentasi pantun penutup presentasi ada beberapa rekomendasi pantun yang bisa kamu sampaikan *kumpulan contoh pantun penutup acara singkat dan berkesan* - Apr 17 2023

web aug 31 2023 1 lihat foto pantun penutup acara sumber gambar freepik com rujukan artikel ini buku pintar majas pantun dan pengarang deandra alifiana a f beli sekarang penulis okky olivia editor puteri sebuah acara pastinya akan dimulai dengan salam pembuka dan diakhiri dengan salam penutup

40 pantun untuk kata penutup acara menarik dan berkesan - Jul 20 2023

web dec 12 2022 inspirasi pantun untuk kata penutup acara dikutip dari laman gramedia com agar seru dan berkesan seorang pembawa acara dapat menggunakan pantun sebagai kata penutup acara pantun adalah salah satu jenis puisi lama yang terdiri dari empat baris

75 pantun penutup acara yang berkesan lucu dan inspiratif - May 18 2023

web oct 2 2023 1 menentukan tema pantun pertama siapkan terlebih dahulu tema pantun penutup acara yang akan dipilih

bisa mengenai cinta kasih sayang keagamaan pengalaman pribadi atau pantun lucu yang merangkum tema tema tersebut 2 memilih jenis pantun jenis pantun yang biasa digunakan bermacam macam

15 contoh pantun penutup acara yang menarik agar acaramu - Feb 15 2023

web dec 8 2022 ada banyak contoh pantun untuk penutup berbagai acara seperti sambutan presentasi ceramah hingga pidato berikut ini kumpulan pantun untuk penutup berbagai acara yang berhasil dihimpun dari berbagai sumber baca juga 30 pantun ulang tahun lucu dan berkesan berisi doa penuh makna pantun 1 batu pecah dibenturkan rusak

75 pantun akhir kata untuk menutup acara mengakhiri sambutan - Mar 16 2023

web feb 6 2023 umumnya salam penutup ketika mengisi acara akan diucapkan dengan kata kata yang menarik dan keren salah satunya yakni dengan menggunakan pantun akhir kata agar penampilan kamu tetap terlihat berkesan bagi audiens dan tidak membosankan maka pantun adalah jadi cara yang paling unik

30 data interpretation all type questions for ibps po 2020 - Mar 22 2022

web sep 25 2023 updated on september 25th 2023 for any exam of the banking sector data interpretation is one of the important topics which is asked a chunk of questions is asked from data interpretation in the quantitative aptitude section of banking exams subtopics like bar graph line graph table chart pie chart caselet and mixed chart

2000 di questions for all bank exams with solutions - Aug 07 2023

web questions of data interpretation will be asked in different formats like table based line graph bar graph pie chart and missing data types etc data interpretation is the most expected topic in bank exams in ibps po examination the candidate can expect two or more graphs in a single question

data interpretation questions with solutions for bank exams - Dec 31 2022

web data interpretation questions with solutions for bank exams model questions and answers for preparation sample papers for online test previous placement question for practice

data interpretation questions for bank exams ibps guide - Mar 02 2023

web oct 10 2023 data interpretation questions and answers with clear explanation for ibps clerk ibps po sbi po sbi clerk rrb rbi ssc other competitive exams candidates can practice data interpretation test questions and answers on a daily basis to improve your problem solving skill

data interpretation for bank exams 4000 free question quiz sets - Oct 09 2023

web are you searching for the data interpretation questions for mains exams then this is the right place for you to get various possibilities of data interpretation questions data interpretation will be asked in the following types table based line graph bar graph pie chart missing data types caselet type etc

data interpretation questions and answers quiz 26 lets study - Apr 22 2022

web in the banking exams data interpretation questions asked in the prelims as well as mains exam there are 3 4 data interpretation asked in the mains exam bank you want to score more in the data interpretation section then you should practice more and more data interpretations questions

data interpretation questions formula example download pdf - Oct 29 2022

web jul 6 2023 data interpretation questions form a significant part of banking exams aiming to evaluate a candidate s ability to analyze and draw conclusions from complex numerical data these questions demand proficiency in interpreting graphs charts and tables to solve quantitative problems

data interpretation aptitude question and answers - Jul 06 2023

web sep 8 2023 data interpretation questions are an essential part of the quantitative aptitude section in various government exams such as ssc bank rrb and insurance exams these questions require the ability to analyze and interpret different forms of data including tables graphs charts and more

255 data interpretation questions and answers with - Apr 03 2023

web data interpretation problems or questions and answers with explanation data interpretation questions include questions on scientific and numerical charts tables and graphs to prepare for bank exams competitive exams interviews entrance tests and

100 data interpretation questions and answers for bank exams 1 - Aug 27 2022

web data integration tabulation questions pdf di tabulation questions answers pdf data interpretation di tabulation questions with solutions pdf free download for various banking exams like ibps sbi rbi pnb nabard rrb bank po so clerk and mains exam questions and answers 1

100 data interpretation questions pdf with solutions - Sep 08 2023

web mar 14 2023 data interpretation pdf for bank exams nowadays exam pattern of any bank exam is similar there are two phases of exams like prelims and mains there will be 10 15 data interpretation questions asked in the prelims exam the level of these questions is very easy

data interpretation questions and answers learnfrenzy - Jul 26 2022

web in this section you can learn and practice data interpretation questions with answers to improve your skills in order to face the interview competitive examination and various entrance test cat gate gre mat bank exam railway exam etc with full confidence

data interpretation questions pdf for banking download free - Sep 27 2022

web data interpretation questions table pie graph missing mixed and caselet di pdf for banking and ssc exams download free pdf data interpretation questions pdf with answer for competitive exams

100 data interpretation questions pdf with solutions - May 04 2023

web mar 14 2023 data interpretation questions pdf be ultra important for banking exams in this data interpretation pdf you will find every kind of data interpretation like tabular data interpretation piece chart data interpretation line graph data interpretation and rod image data interpretation

data interpretation practice questions practice section answers - Nov 29 2022

web data interpretation practice questions this section comprises of questions in which certain data regarding common disciplines as production over a period of few years a factory student report cards students applying for and qualifying a certain field of study etc are given in the form of a table

data interpretation questions and answers byju s - May 24 2022

web data interpretation questions and answers data interpretation questions cover the maximum part of the quantitative aptitude section in all major competitive exams conducted in the country close to 10 15 questions based on data interpretation are asked in government exams like ssc bank rrb insurance exams etc

250 data interpretation sets download pdf bankexamstoday - Jun 05 2023

web 250 data interpretation sets download pdf data interpretation is an important part of all the bank exams this page will help you prepare for data interpretation section for various exams like rbi grade b seb grade a nabard grade a ibps po etc

how to prepare data interpretation for bank exams in 2023 - Jun 24 2022

web data interpretation questions have more weightage and you can see this type of question in almost every competitive bank exam question paper data interpretation di is one of the most important topics in the quantitative aptitude section

1600 data interpretation questions and answers q4interview - Feb 18 2022

web practice data interpretation questions with answers data interpretation aptitude mcqs is an important part of any government exam ssc exam bank po exams and all the it companies written exams capgemini tech mahindra infosys wipro tcs hcl etc and all the bank exams

2000 data interpretation questions for all bank exams with - Feb 01 2023

web 3 like this data interpretation quiz data interpretation di questions for all bank exams ibps po clerk sbi rrb questions carries important weightage in the bank exams questions of data interpretation will be asked in different formats like table based line graph bar graph pie chart and missing data types etc