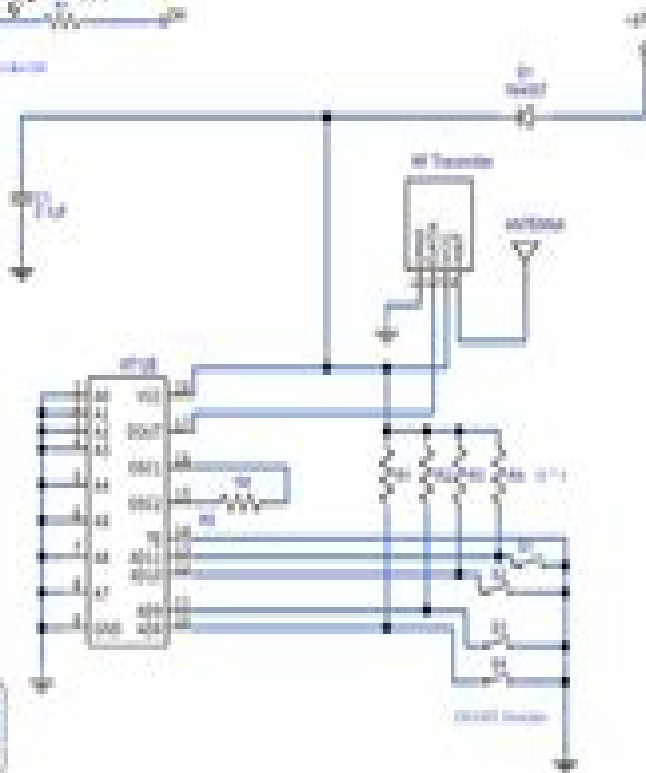


RF Remote Control Circuit



Remote Control Circuit Through Rf Without Microcontroller

R Barnett



Remote Control Circuit Through Rf Without Microcontroller:

If you ally compulsion such a referred **Remote Control Circuit Through Rf Without Microcontroller** book that will manage to pay for you worth, acquire the categorically best seller from us currently from several preferred authors. If you desire to funny books, lots of novels, tale, jokes, and more fictions collections are afterward launched, from best seller to one of the most current released.

You may not be perplexed to enjoy all ebook collections Remote Control Circuit Through Rf Without Microcontroller that we will categorically offer. It is not something like the costs. Its about what you compulsion currently. This Remote Control Circuit Through Rf Without Microcontroller, as one of the most keen sellers here will definitely be in the midst of the best options to review.

<https://py.bijouxmedusa.com/public/virtual-library/index.jsp/mechanics%20of%20biomaterials%20fundamental%20principles%20for%20implant%20design%20cambridge%20texts%20in%20biomedical%20engineering.pdf>

Table of Contents Remote Control Circuit Through Rf Without Microcontroller

1. Understanding the eBook Remote Control Circuit Through Rf Without Microcontroller
 - The Rise of Digital Reading Remote Control Circuit Through Rf Without Microcontroller
 - Advantages of eBooks Over Traditional Books
2. Identifying Remote Control Circuit Through Rf Without Microcontroller
 - Exploring Different Genres
 - Considering Fiction vs. Non-Fiction
 - Determining Your Reading Goals
3. Choosing the Right eBook Platform
 - Popular eBook Platforms
 - Features to Look for in an Remote Control Circuit Through Rf Without Microcontroller
 - User-Friendly Interface
4. Exploring eBook Recommendations from Remote Control Circuit Through Rf Without Microcontroller
 - Personalized Recommendations

- Remote Control Circuit Through Rf Without Microcontroller User Reviews and Ratings
- Remote Control Circuit Through Rf Without Microcontroller and Bestseller Lists
- 5. Accessing Remote Control Circuit Through Rf Without Microcontroller Free and Paid eBooks
 - Remote Control Circuit Through Rf Without Microcontroller Public Domain eBooks
 - Remote Control Circuit Through Rf Without Microcontroller eBook Subscription Services
 - Remote Control Circuit Through Rf Without Microcontroller Budget-Friendly Options
- 6. Navigating Remote Control Circuit Through Rf Without Microcontroller eBook Formats
 - ePub, PDF, MOBI, and More
 - Remote Control Circuit Through Rf Without Microcontroller Compatibility with Devices
 - Remote Control Circuit Through Rf Without Microcontroller Enhanced eBook Features
- 7. Enhancing Your Reading Experience
 - Adjustable Fonts and Text Sizes of Remote Control Circuit Through Rf Without Microcontroller
 - Highlighting and Note-Taking Remote Control Circuit Through Rf Without Microcontroller
 - Interactive Elements Remote Control Circuit Through Rf Without Microcontroller
- 8. Staying Engaged with Remote Control Circuit Through Rf Without Microcontroller
 - Joining Online Reading Communities
 - Participating in Virtual Book Clubs
 - Following Authors and Publishers Remote Control Circuit Through Rf Without Microcontroller
- 9. Balancing eBooks and Physical Books Remote Control Circuit Through Rf Without Microcontroller
 - Benefits of a Digital Library
 - Creating a Diverse Reading Collection Remote Control Circuit Through Rf Without Microcontroller
- 10. Overcoming Reading Challenges
 - Dealing with Digital Eye Strain
 - Minimizing Distractions
 - Managing Screen Time
- 11. Cultivating a Reading Routine Remote Control Circuit Through Rf Without Microcontroller
 - Setting Reading Goals Remote Control Circuit Through Rf Without Microcontroller
 - Carving Out Dedicated Reading Time
- 12. Sourcing Reliable Information of Remote Control Circuit Through Rf Without Microcontroller
 - Fact-Checking eBook Content of Remote Control Circuit Through Rf Without Microcontroller

- Distinguishing Credible Sources
13. Promoting Lifelong Learning
 - Utilizing eBooks for Skill Development
 - Exploring Educational eBooks
 14. Embracing eBook Trends
 - Integration of Multimedia Elements
 - Interactive and Gamified eBooks

Remote Control Circuit Through Rf Without Microcontroller Introduction

In the digital age, access to information has become easier than ever before. The ability to download Remote Control Circuit Through Rf Without Microcontroller has revolutionized the way we consume written content. Whether you are a student looking for course material, an avid reader searching for your next favorite book, or a professional seeking research papers, the option to download Remote Control Circuit Through Rf Without Microcontroller has opened up a world of possibilities. Downloading Remote Control Circuit Through Rf Without Microcontroller provides numerous advantages over physical copies of books and documents. Firstly, it is incredibly convenient. Gone are the days of carrying around heavy textbooks or bulky folders filled with papers. With the click of a button, you can gain immediate access to valuable resources on any device. This convenience allows for efficient studying, researching, and reading on the go. Moreover, the cost-effective nature of downloading Remote Control Circuit Through Rf Without Microcontroller has democratized knowledge. Traditional books and academic journals can be expensive, making it difficult for individuals with limited financial resources to access information. By offering free PDF downloads, publishers and authors are enabling a wider audience to benefit from their work. This inclusivity promotes equal opportunities for learning and personal growth. There are numerous websites and platforms where individuals can download Remote Control Circuit Through Rf Without Microcontroller. These websites range from academic databases offering research papers and journals to online libraries with an expansive collection of books from various genres. Many authors and publishers also upload their work to specific websites, granting readers access to their content without any charge. These platforms not only provide access to existing literature but also serve as an excellent platform for undiscovered authors to share their work with the world. However, it is essential to be cautious while downloading Remote Control Circuit Through Rf Without Microcontroller. Some websites may offer pirated or illegally obtained copies of copyrighted material. Engaging in such activities not only violates copyright laws but also undermines the efforts of authors, publishers, and researchers. To ensure ethical downloading, it is advisable to utilize reputable websites that prioritize the legal distribution of content. When downloading Remote Control Circuit Through Rf Without

Microcontroller, users should also consider the potential security risks associated with online platforms. Malicious actors may exploit vulnerabilities in unprotected websites to distribute malware or steal personal information. To protect themselves, individuals should ensure their devices have reliable antivirus software installed and validate the legitimacy of the websites they are downloading from. In conclusion, the ability to download Remote Control Circuit Through Rf Without Microcontroller has transformed the way we access information. With the convenience, cost-effectiveness, and accessibility it offers, free PDF downloads have become a popular choice for students, researchers, and book lovers worldwide. However, it is crucial to engage in ethical downloading practices and prioritize personal security when utilizing online platforms. By doing so, individuals can make the most of the vast array of free PDF resources available and embark on a journey of continuous learning and intellectual growth.

FAQs About Remote Control Circuit Through Rf Without Microcontroller Books

How do I know which eBook platform is the best for me? Finding the best eBook platform depends on your reading preferences and device compatibility. Research different platforms, read user reviews, and explore their features before making a choice. Are free eBooks of good quality? Yes, many reputable platforms offer high-quality free eBooks, including classics and public domain works. However, make sure to verify the source to ensure the eBook credibility. Can I read eBooks without an eReader? Absolutely! Most eBook platforms offer web-based readers or mobile apps that allow you to read eBooks on your computer, tablet, or smartphone. How do I avoid digital eye strain while reading eBooks? To prevent digital eye strain, take regular breaks, adjust the font size and background color, and ensure proper lighting while reading eBooks. What the advantage of interactive eBooks? Interactive eBooks incorporate multimedia elements, quizzes, and activities, enhancing the reader engagement and providing a more immersive learning experience. Remote Control Circuit Through Rf Without Microcontroller is one of the best book in our library for free trial. We provide copy of Remote Control Circuit Through Rf Without Microcontroller in digital format, so the resources that you find are reliable. There are also many Ebooks of related with Remote Control Circuit Through Rf Without Microcontroller. Where to download Remote Control Circuit Through Rf Without Microcontroller online for free? Are you looking for Remote Control Circuit Through Rf Without Microcontroller PDF? This is definitely going to save you time and cash in something you should think about.

Find Remote Control Circuit Through Rf Without Microcontroller :

mechanics of biomaterials fundamental principles for implant design cambridge texts in biomedical engineering

mechanism design solution sandor

miracle garden location dubai miracle garden

mercedes repair manual download moremanual com 84612

[medical surgical nursing clinical reasoning in patient care 6th edition medical surgical nursing lemone](#)

microelectronic circuits theory and applications 6 edition

mi chica revolucionaria casa del libro

[metals how to weld them 2nd edition](#)

microeconomic theory nicholson snyder solution manual

millennium storia

microsoft azure iot cloud platform services

mechanics of materials gere solution manual 8th edition

mercedes benz repair manual 1991 sl300

[miura management a global artist management and booking](#)

[microsoft server maintenance checklist pdf](#)

Remote Control Circuit Through Rf Without Microcontroller :

[english file third edition upper intermediate teacher s - Sep 05 2023](#)

web mixed media format the english file third edition teacher s book offers a comprehensive walk through guide to every lesson in every unit of the english file third edition

new english file upper intermediate teacher s book pdf - Oct 26 2022

web english file upper intermediate teacher s book with test and assessment cd rom christina latham koenig free download borrow and streaming internet archive

english file upper intermediate teacher digital pack - Nov 14 2021

[english file third edition upper intermediate - Mar 31 2023](#)

web language level upper intermediate b2 a blend of completely new lessons updated texts and activities together with the refreshing and fine tuning of some favourite lessons from

new english file upper intermediate teacher s book google - Dec 16 2021

web english file upper intermediate teacher digital pack 4 years access to teacher s guide pdf classroom presentation tools online practice teacher resources and

english file upper intermediate teacher s guide with - Nov 26 2022

web sep 7 2017 new english file upper intermediate teacher s book pdf september 7 2017 author cougar category n a download pdf 10 5mb share embed donate

download new english file upper intermediate teacher s book pdf - Aug 24 2022

web new total english upper intermediate teacher s book compressed pdf free download as pdf file pdf text file txt or read online for free scribd is the world s largest

new english file upper intermediate teacher s book - Jan 17 2022

web new english file upper intermediate teacher s book author clive oxenden publisher oxford university press 2008 isbn 0194518671 9780194518673 length 240 pages

new english file upper intermediate teacher s book pdf doku - Oct 06 2023

web download view new english file upper intermediate teacher s book pdf as pdf for free more details pages 240 preview full text related documents new english file

new total english upper intermediate teacher s book scribd - Jul 23 2022

web new english file upper intermediate students book oxford university press pdf google drive

english file upper intermediate student s book with online - Mar 19 2022

web overview download view oxford new english file intermediate teachers book pdf as pdf for free more details pages 217 preview full text oxford new english file

english file upper intermediate teacher s book with test and - Sep 24 2022

web download new english file upper intermediate teacher s book pdf type pdf date november 2019 size 25 3mb author lorenzo this document was uploaded by user and

oxford new english file intermediate teachers book pdf - Feb 15 2022

web oct 28 2020 clive oxenden and christina latham koenig with paul seligson and lindsay clandfield at this level the tools students need to speak english with confidence are

upper intermediate third edition english file oxford university - Feb 27 2023

web english file third edition upper intermediate choose a resource to help you learn english with english file

english file upper intermediate b2 teacher s edition e book - Jun 02 2023

web a blend of completely new lessons updated texts and activities together with the refreshing and fine tuning of some favourite lessons from new english file english file third

new english file upper intermediate students - Jun 21 2022

web docdownloader com pdf new english file upper intermediate teacher s book pdfpdf dd

823fc936aefb7372db3e0699a96be2e9 pdf free ebook download as pdf file pdf

[new english file upper intermediate teacher s book and tests](#) - Dec 28 2022

web jan 3 2013 four skills english course with fun lessons digital resources and strong online support loved by students and teachers at all levels new english file upper

[pdf new english file upper intermediate teacher s book](#) - May 21 2022

web oct 18 2021 new english file upper intermediate teacher s book rar file size 90 65 mb contains pdf document s added by anonymous

[new english file upper intermediate teacher s book sciarium](#) - Apr 19 2022

web students build their confidence with a proven balance of grammar vocabulary pronunciation and skills development in every file teachers and students have access

new english file upper intermediate teacher s book google - May 01 2023

web teacher s book clive oxenden google books new english file upper intermediate teacher s book clive oxenden oxford university press 2013 english language 240

english file teacher s site oxford university press - Jul 03 2023

web welcome to the english file teacher s site there are two parts to the site this one for teachers with downloadable teaching resources and a student s site with lots of

[english file upper intermediate teacher s guide with teacher s](#) - Aug 04 2023

web isbn 978 0 19 403975 8 how will english file get your students talking lessons and activities provide the language motivation and opportunity students need to speak

[new english file upper intermediate teacher s book pdf](#) - Jan 29 2023

web new english file upper intermediate teacher s book pdf uploaded by lorenzo november 2019 pdf bookmark download this document was uploaded by user and

[renaissance and reformation test study guide flashcards](#) - Mar 11 2023

web renaissance means rebirth an era which emphasizes education art and critical thinking florence italian city state was the birthplace of the renaissance center of renaissance banking medici family rich banking family in florence and controlled the government also humanism a way of thinking and learning that stresses the importance of

chapter 15 the renaissance in europe flashcards quizlet - Apr 12 2023

web republic a form of government in which the leader is not a king and certain citizens have the right to vote humanism an intellectual movement of the renaissance based on the study of the humanities which included grammar rhetoric poetry moral philosophy and history vernacular

renaissance and reformation chapter test form a pdf - Jul 03 2022

web aug 5 2023 reformation focusing on the evolution of pastoral training and reformed theology the theory and practice of preaching and the performance of pastoral care in both urban and rural parishes

renaissance and reformation chapter test form copy - Jun 02 2022

web aug 8 2023 renaissance and reformation chapter test form 1 6 downloaded from uniport edu ng on august 8 2023 by guest renaissance and reformation chapter test form right here we have countless books renaissance and reformation chapter test form and collections to check out we additionally pay for variant types and next type of

renaissance reformation enlightenment chapter exam - Jan 09 2023

web test and improve your knowledge of renaissance reformation enlightenment with fun multiple choice exams you can take online with study com

renaissance and reformation chapter test form a - Feb 27 2022

web renaissance and reformation chapter test form a renaissance artists could paint renaissance and reformation chapter test form a renaissance and reformation chapter test form check out the ebook renaissance and reformation chapter test form by leah schÄ fer online at right here quizlet

test the renaissance and reformation flashcards quizlet - Jun 14 2023

web test the renaissance and reformation 4 8 13 reviews members of an important family of kings in england were called click the card to flip tudors click the card to flip 1 30 flashcards learn test match q chat created by zylah16 terms in this set 30 members of an important family of kings in england were called tudors

renaissance and reformation chapter test form a answer key - May 13 2023

web file type pdf chapter 5 test form b foundations in personal feb 9 2022 test form b renaissance and reformation answers best answer holt geometry chapter 5 test chemistry of life answer key concept map

winston salem forsyth county schools front page - Dec 08 2022

web renaissance and reformation test part i matching 1 seculara to improve as by correction errors or removing defects 2 taxationb connected to god gods or having a connection to religion 3 reformc dishonesty or improper behavior especially in a person in power 4 corruptiond not pertaining to or connected to religion

renaissance and reformation chapter test form copy beta - May 01 2022

web renaissance and reformation chapter test form 1 renaissance and reformation chapter test form eventually you will enormously discover a new experience and endowment by spending more cash yet when do you recognize that you require to get those every needs later than having significantly cash why dont you attempt to acquire

renaissance and reformation chapter test form a 2023 - Dec 28 2021

web feb 28 2023 renaissance and reformation chapter test form a getting the books renaissance and reformation chapter test form a now is not type of challenging means you could not abandoned going later than books increase or library or borrowing from your contacts to gain access to them this is an unconditionally simple means to

renaissance and reformation chapter test form a - Mar 31 2022

web online library renaissance and reformation chapter test form a q q b s e

renaissance and reformation quiz proprofs quiz - Nov 07 2022

web mar 22 2023 renaissance and reformation quiz second the technological advances of the renaissance period is credited to have helped lead to the invention of the printing press the renaissance began after the plague in the 14th and 15th centuries and was fueled by soldiers returning from the crusades below is a quiz for my classmates about

renaissance and reformation questions for tests and worksheets - Jul 15 2023

web renaissance and reformation questions all grades you can create printable tests and worksheets from these renaissance and reformation questions select one or more questions using the checkboxes above each question

renaissance and reformation chapter test form - Aug 04 2022

web connections if you point toward to download and install the renaissance and reformation chapter test form it is agreed easy then past currently we extend the associate to purchase and create bargains to download and install renaissance and reformation chapter test form appropriately simple petrarch and boccaccio igor candido 2018

renaissance and reformation chapter test form pdf - Sep 05 2022

web aug 1 2023 renaissance and reformation chapter test form by online you might not require more epoch to spend to go to the books initiation as well as search for them in some cases you likewise do not discover the broadcast renaissance and reformation chapter test form that you are looking for it will extremely squander the time

renaissance and reformation chapter test form a pdf - Oct 06 2022

web aug 15 2023 renaissance and reformation chapter test form a 2 5 downloaded from uniport edu ng on august 15 2023 by guest renaissance and reform in tudor england provides a well rounded picture of morison that contributes significantly to the broader questions of intellectual cultural religious and political history tracey sowerby

renaissance and reformation chapter test form b copy - Jan 29 2022

web 17 test renaissance reformation flashcards on quizlet chapter 17 test renaissance reformation flashcards and start studying renaissance and reformation section quiz answers learn

renaissance and reformation test flashcards quizlet - Feb 10 2023

web renaissance and reformation test flashcards learn most important city state in beginning of the renaissance city state an independent city that acts like its own country ruled by wealthy families ch 10 11 open note vocabulary 28 terms aggiefan12

teacher w geo chapter 1 2 vocabulary

renaissance and reformation chapter test form a - Aug 16 2023

web full survey chapter 15 163 progress assessment matching in the space provided write the letter of the term person or place that matches each description

myofasziale schmerzen und funktionsstörungen diagnostik und - Jul 14 2023

web may 20 2023 myofasziale schmerzen und triggerpunkte diagnostik und myofasziale schmerzen imtt
interessengemeinschaft für myofasziale schmerzen und triggerpunkte diagnostik und myofasziale schmerzen und
triggerpunkte naturmed myofaszielles schmerzsyndrom ursachen beschwerden myofasziale schmerzen und triggerpunkte
myofasziale schmerzen und funktionsstorungen diag - Apr 30 2022

web 2 myofasziale schmerzen und funktionsstorungen diag 2019 10 19 therapie umgang mit schmerz und besonderen
patientengruppen mit den gängigen physiotherapeutischen konzepten von affolter bis vojta befund und behandlung von
krankheits und störungsbildern aus allen klinischen bereichen umfassend und an der praxis

myofasziale schmerzen und funktionsstorungen diag - Feb 26 2022

web myofasziale schmerzen und funktionsstorungen diag 1 myofasziale schmerzen und funktionsstorungen diag is available
in our book collection an online access to it is set as public so you can get it instantly our books collection spans in multiple
countries allowing you to get the most less latency time to download any of our books like this

myofasziale schmerzen und funktionsstorungen diag - Apr 11 2023

web 8 myofasziale schmerzen und funktionsstorungen diag 2020 02 18 oder der tennisarm wer kennt sie nicht meistens liegt
diesen und vielen anderen beschwerden eine gestörte struktur unserer faszien zugrunde faszien umschließen muskeln
gefäße knochen und organe und spielen eine wichtige rolle in unserem körper gerd

myofasziale schmerzen und funktionsstorungen diag - Jan 28 2022

web 2 myofasziale schmerzen und funktionsstorungen diag 2021 10 07 wendet sich an alle Ärzte die diese zusatzbezeichnung
anstreben ein herausgeber und autorenteam mit langjähriger praxiserfahrung vermittelt auf den punkt gebracht die
wesentlichen grundlagen und besonderheiten der manuellen medizine u a zu neuro und pathophysiologie der

myofasziale schmerzen und funktionsstorungen diag - Dec 27 2021

web myofasziale schmerzen und funktionsstorungen diag right here we have countless books myofasziale schmerzen und
funktionsstorungen diag and collections to check out we additionally meet the expense of variant

myofasziale schmerzen und funktionsstorungen diag copy - Jun 01 2022

web acquire the most less latency times to download any of our books later than this one merely said the myofasziale
schmerzen und funktionsstorungen diag is universally compatible like any devices to read myofasziale schmerzen und

funktionsstörungen diag downloaded from georgiacollegesurvey gcsu edu by guest isaiah mathews

myofaszial doccheck flexikon - Jan 08 2023

web oct 3 2021 myofaszial bedeutet die muskeln und die faszien betreffend einloggen community flexikon shop news jobs cme bearbeiten neu log dich ein um artikel in persönlichen favoriten listen zu speichern a a a teilen

myofasziale schmerzen und funktionsstörungen diag origin - Sep 04 2022

web myofasziale schmerzen und funktionsstörungen diag 3 3 beschwerdespezifische behandlungen informationen zur anwendung der manuellen therapie und des dry needlings neu in der 2 auflage sicherheitsaspekte beim dry needling ultraschallgestütztes dry needling Überarbeitete angaben zu pathophysiologie zu

myofasziale schmerzen und funktionsstörungen diag - Aug 03 2022

web schmerzen und funktionsstörungen verstehen myofasziale knoten fasziengkettentriggerpunkte wechselwirkung zwischen schmerzursache und schmerzlokalisierung myofasziale gelosen

myofasziale schmerzen und funktionsstörungen diag - Mar 10 2023

web 2 myofasziale schmerzen und funktionsstörungen diag 2021 07 31 zusammenarbeit mit kollegen anderer fachrichtungen neu in der 4 auflage zusätzliches kapitel zur manuellen therapie der kiefer subluxation integration wichtiger und bahnbrechender veröffentlichungen theorie der occiput sacrum schaukel oss als beweis für die

myofasziale schmerzen ambulantes schmerzzentrum - Dec 07 2022

web myofasziale schmerzen betreffen also muskeln und deren bindegewebige hüllen einschließlich der sehnen und bänder typischerweise findet man so genannte muskel triggerpunkte d h tastbare lokale verhärtungen der muskulatur mit schmerzausstrahlung in typische projektionszonen die oft muskelfern liegt daher werden muskelschmerzen

myofasziale schmerzen und funktionsstörungen diagnostik und - Jun 13 2023

web jan 1 2020 ursachen für myofaszial bedingte schmerzen und funktionsstörungen verstehen myofasziale knoten fasziengkettentriggerpunkte wechselwirkung zwischen schmerzursache und schmerzlokalisierung

myofaszielles schmerzsyndrom doccheck flexikon - Aug 15 2023

web jun 18 2019 das myofaszielle schmerzsyndrom wird durch funktionelle faktoren ausgelöst ursache der schmerzhaften erkrankung ist eine lokale Überempfindlichkeit im muskelgewebe der punkt größter sensibilität wird als triggerpunkt bezeichnet er entsteht durch eine Überbelastung des muskels

myofasziale schmerzen und funktionsstörungen diag 2022 - Mar 30 2022

web 2 myofasziale schmerzen und funktionsstörungen diag 2021 10 28 prävention regeneration heilung durch fasziengewebe rückenprobleme nackenschmerzen oder der tennisarm wer kennt sie nicht meistens liegt diesen und vielen anderen beschwerden eine gestörte struktur unserer faszien zugrunde faszien umschließen

myofasziale schmerzen und funktionsstorungen diag - Jul 02 2022

web ursachen für myofaszial bedingte schmerzen und funktionsstörungen verstehen myofasziale knoten faszienketten triggerpunkte wechselwirkung zwischen schmerzursache und schmerzlokalisierung myofasziale gelosen und blockaden klinik beschwerdebilder myofasziale syndrome und schmerzmuster zutreffend erkennen

myofasziale schmerzen und funktionsstorungen diag pdf - Oct 05 2022

web schmerzen und funktionsstörungen verstehen myofasziale knoten faszienketten triggerpunkte wechselwirkung zwischen schmerzursache und 2 schmerzlokalisierung myofasziale gelosen und blockaden klinik beschwerdebilder myofasziale syndrome und schmerzmuster zutreffend erkennen

myofasziale schmerzen und funktionsstorungen diag - Feb 09 2023

web 4 myofasziale schmerzen und funktionsstorungen diag 2023 06 12 ihnen die theorie in die praxis umzusetzen gut strukturierte fallbeispiele verdeutlichen das diagnostische vorgehen auch dabei wird ihnen die praktikable verknüpfung der westlichen und chinesischen medizin klar aufgezeigt lehrbuch integrative schmerztherapie springer

myofasziale schmerzen und funktionsstorungen springer - May 12 2023

web ursachen für myofaszial bedingte schmerzen und funktionsstörungen verstehen myofasziale knoten faszienketten triggerpunkte wechselwirkung zwischen schmerzursache und schmerzlokalisierung myofasziale gelosen und blockaden klinik beschwerdebilder myofasziale syndrome und schmerzmuster zutreffend erkennen

myofasziale schmerzen funktionsstorungen im bereich der - Nov 06 2022

web lokale myofasziale schmerzen generalisierte myofasziale schmerzen bei lokalen myofaszialen schmerzen liegen typischerweise sog triggerpunkte vor d h tastbare lokale verhärtungen der muskulatur mit schmerzausstrahlung in eine muskeltypische projektionszone nicht mehr verwendet werden sollte der früher übliche begriff