

# Activity - Practice with Complex Circuits

$$V = IR$$

## Part I

In the circuits below, the voltage of the battery is 12 V and each resistor is 2 Ω. For each circuit:

- Describe the circuit and any assumptions you make. Which resistors are in series? Which are in parallel?
- Calculate the current through each resistor and the voltage across each resistor.

$$\text{Total: } 8 + 2 = 10$$

$$\text{Series} = 2 + 2 + 2 + 2 = 8 \Omega$$

$$\text{Parallel} = \frac{1}{2} = 2 \Omega$$

$$V = IR \rightarrow I = \frac{V}{R} = \frac{12}{10} = 1.2 \text{ A}$$

$$A = \frac{2 \Omega}{4.67} (12)$$

5.13

$$2 + 2 = 4 \Omega (\text{series}) \quad \frac{1}{2} + \frac{1}{2} + \frac{1}{2} = \frac{3}{2} = \frac{2}{3} (\text{Parallel})$$

$$4 + \frac{2}{3} = 4.67 \Omega = \text{total}$$

$$\frac{1.2}{2} = 0.6 \text{ A for parallel resistors}$$

$$V = IR = (0.6)(2) = 1.2 \text{ V}$$

$$V = IR$$

$$I = \frac{V}{R} = \frac{12}{4.67}$$

$$I = 2.57$$

$$\frac{2.57 \text{ A}}{3} = 0.86 \text{ A}$$

$$V = IR$$

$$V = (0.86)(\frac{2}{3})$$

$$V = 0.57 \text{ V}$$

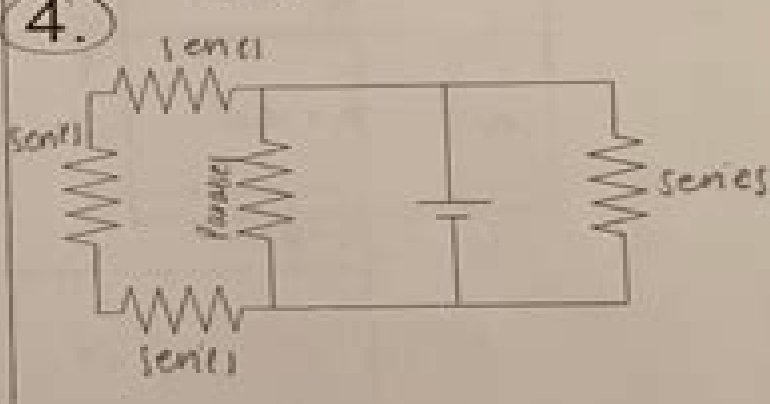
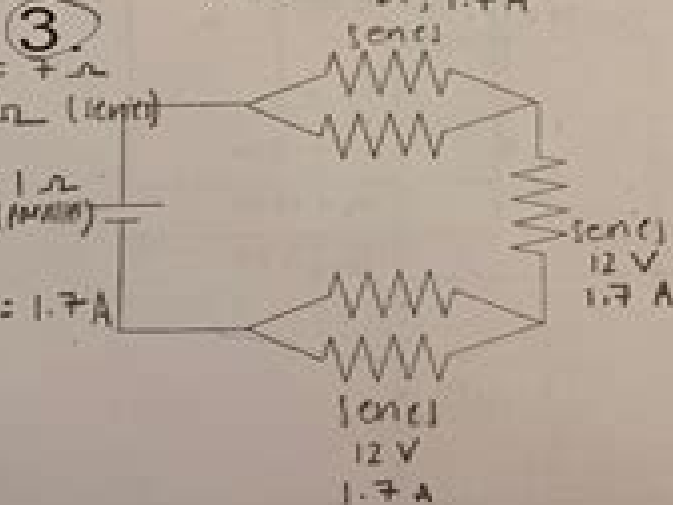
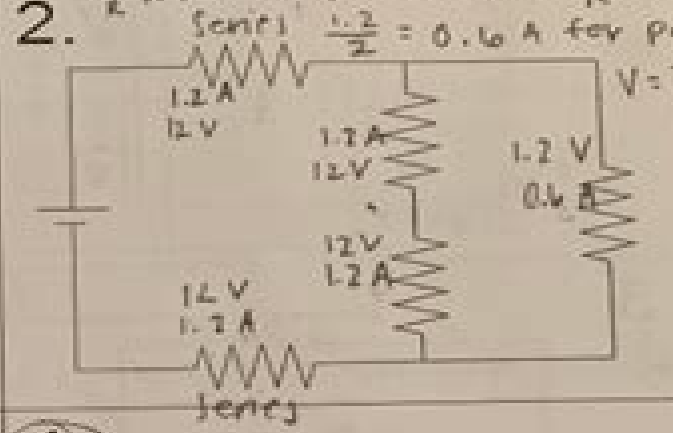
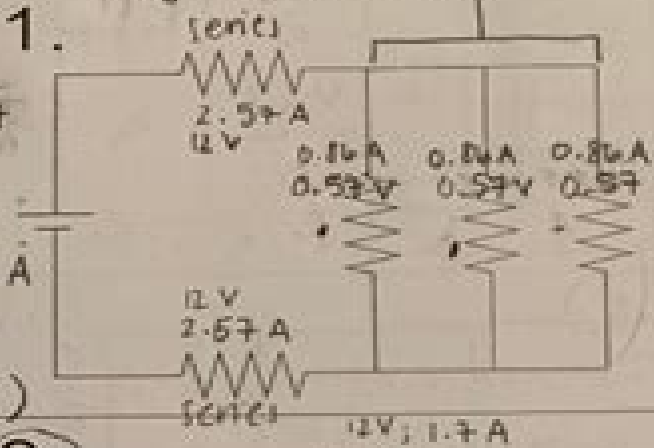
$$\text{Total } R = 6 + 1 = 7 \Omega$$

$$2 + 2 + 2 = 6 \Omega (\text{series})$$

$$\frac{1}{2} + \frac{1}{2} = \frac{2}{2} = 1 \Omega (\text{parallel})$$

$$V = IR$$

$$I = \frac{V}{R} = \frac{12}{7} = 1.7 \text{ A}$$



# Complex Circuit Problems And Solutions

**David Chandler Prince, Francis Brooke  
Vogdes**



## **Complex Circuit Problems And Solutions:**

If you are craving such a referred **Complex Circuit Problems And Solutions** books that will manage to pay for you worth, get the unconditionally best seller from us currently from several preferred authors. If you desire to witty books, lots of novels, tale, jokes, and more fictions collections are with launched, from best seller to one of the most current released.

You may not be perplexed to enjoy all book collections Complex Circuit Problems And Solutions that we will completely offer. It is not roughly speaking the costs. Its not quite what you infatuation currently. This Complex Circuit Problems And Solutions, as one of the most keen sellers here will totally be accompanied by the best options to review.

[https://py.bijouxmedusa.com/book/publication/Download\\_PDFS/a\\_framework\\_for\\_government\\_agency\\_quality\\_management\\_systems.pdf](https://py.bijouxmedusa.com/book/publication/Download_PDFS/a_framework_for_government_agency_quality_management_systems.pdf)

## **Table of Contents Complex Circuit Problems And Solutions**

1. Understanding the eBook Complex Circuit Problems And Solutions
  - The Rise of Digital Reading Complex Circuit Problems And Solutions
  - Advantages of eBooks Over Traditional Books
2. Identifying Complex Circuit Problems And Solutions
  - Exploring Different Genres
  - Considering Fiction vs. Non-Fiction
  - Determining Your Reading Goals
3. Choosing the Right eBook Platform
  - Popular eBook Platforms
  - Features to Look for in an Complex Circuit Problems And Solutions
  - User-Friendly Interface
4. Exploring eBook Recommendations from Complex Circuit Problems And Solutions
  - Personalized Recommendations
  - Complex Circuit Problems And Solutions User Reviews and Ratings
  - Complex Circuit Problems And Solutions and Bestseller Lists

5. Accessing Complex Circuit Problems And Solutions Free and Paid eBooks
  - Complex Circuit Problems And Solutions Public Domain eBooks
  - Complex Circuit Problems And Solutions eBook Subscription Services
  - Complex Circuit Problems And Solutions Budget-Friendly Options
6. Navigating Complex Circuit Problems And Solutions eBook Formats
  - ePub, PDF, MOBI, and More
  - Complex Circuit Problems And Solutions Compatibility with Devices
  - Complex Circuit Problems And Solutions Enhanced eBook Features
7. Enhancing Your Reading Experience
  - Adjustable Fonts and Text Sizes of Complex Circuit Problems And Solutions
  - Highlighting and Note-Taking Complex Circuit Problems And Solutions
  - Interactive Elements Complex Circuit Problems And Solutions
8. Staying Engaged with Complex Circuit Problems And Solutions
  - Joining Online Reading Communities
  - Participating in Virtual Book Clubs
  - Following Authors and Publishers Complex Circuit Problems And Solutions
9. Balancing eBooks and Physical Books Complex Circuit Problems And Solutions
  - Benefits of a Digital Library
  - Creating a Diverse Reading Collection Complex Circuit Problems And Solutions
10. Overcoming Reading Challenges
  - Dealing with Digital Eye Strain
  - Minimizing Distractions
  - Managing Screen Time
11. Cultivating a Reading Routine Complex Circuit Problems And Solutions
  - Setting Reading Goals Complex Circuit Problems And Solutions
  - Carving Out Dedicated Reading Time
12. Sourcing Reliable Information of Complex Circuit Problems And Solutions
  - Fact-Checking eBook Content of Complex Circuit Problems And Solutions
  - Distinguishing Credible Sources
13. Promoting Lifelong Learning

- Utilizing eBooks for Skill Development
  - Exploring Educational eBooks
14. Embracing eBook Trends
- Integration of Multimedia Elements
  - Interactive and Gamified eBooks

### **Complex Circuit Problems And Solutions Introduction**

Complex Circuit Problems And Solutions Offers over 60,000 free eBooks, including many classics that are in the public domain. Open Library: Provides access to over 1 million free eBooks, including classic literature and contemporary works. Complex Circuit Problems And Solutions Offers a vast collection of books, some of which are available for free as PDF downloads, particularly older books in the public domain. Complex Circuit Problems And Solutions : This website hosts a vast collection of scientific articles, books, and textbooks. While it operates in a legal gray area due to copyright issues, its a popular resource for finding various publications. Internet Archive for Complex Circuit Problems And Solutions : Has an extensive collection of digital content, including books, articles, videos, and more. It has a massive library of free downloadable books. Free-eBooks Complex Circuit Problems And Solutions Offers a diverse range of free eBooks across various genres. Complex Circuit Problems And Solutions Focuses mainly on educational books, textbooks, and business books. It offers free PDF downloads for educational purposes. Complex Circuit Problems And Solutions Provides a large selection of free eBooks in different genres, which are available for download in various formats, including PDF. Finding specific Complex Circuit Problems And Solutions, especially related to Complex Circuit Problems And Solutions, might be challenging as theyre often artistic creations rather than practical blueprints. However, you can explore the following steps to search for or create your own Online Searches: Look for websites, forums, or blogs dedicated to Complex Circuit Problems And Solutions, Sometimes enthusiasts share their designs or concepts in PDF format. Books and Magazines Some Complex Circuit Problems And Solutions books or magazines might include. Look for these in online stores or libraries. Remember that while Complex Circuit Problems And Solutions, sharing copyrighted material without permission is not legal. Always ensure youre either creating your own or obtaining them from legitimate sources that allow sharing and downloading. Library Check if your local library offers eBook lending services. Many libraries have digital catalogs where you can borrow Complex Circuit Problems And Solutions eBooks for free, including popular titles. Online Retailers: Websites like Amazon, Google Books, or Apple Books often sell eBooks. Sometimes, authors or publishers offer promotions or free periods for certain books. Authors Website Occasionally, authors provide excerpts or short stories for free on their websites. While this might not be the Complex Circuit Problems And Solutions full book , it can give you a taste of the authors writing

style. Subscription Services Platforms like Kindle Unlimited or Scribd offer subscription-based access to a wide range of Complex Circuit Problems And Solutions eBooks, including some popular titles.

### FAQs About Complex Circuit Problems And Solutions Books

**What is a Complex Circuit Problems And Solutions PDF?** A PDF (Portable Document Format) is a file format developed by Adobe that preserves the layout and formatting of a document, regardless of the software, hardware, or operating system used to view or print it. **How do I create a Complex Circuit Problems And Solutions PDF?** There are several ways to create a PDF: Use software like Adobe Acrobat, Microsoft Word, or Google Docs, which often have built-in PDF creation tools. Print to PDF: Many applications and operating systems have a "Print to PDF" option that allows you to save a document as a PDF file instead of printing it on paper. Online converters: There are various online tools that can convert different file types to PDF. **How do I edit a Complex Circuit Problems And Solutions PDF?** Editing a PDF can be done with software like Adobe Acrobat, which allows direct editing of text, images, and other elements within the PDF. Some free tools, like PDFescape or Smallpdf, also offer basic editing capabilities. **How do I convert a Complex Circuit Problems And Solutions PDF to another file format?** There are multiple ways to convert a PDF to another format: Use online converters like Smallpdf, Zamzar, or Adobe Acrobats export feature to convert PDFs to formats like Word, Excel, JPEG, etc. Software like Adobe Acrobat, Microsoft Word, or other PDF editors may have options to export or save PDFs in different formats. **How do I password-protect a Complex Circuit Problems And Solutions PDF?** Most PDF editing software allows you to add password protection. In Adobe Acrobat, for instance, you can go to "File" -> "Properties" -> "Security" to set a password to restrict access or editing capabilities. Are there any free alternatives to Adobe Acrobat for working with PDFs? Yes, there are many free alternatives for working with PDFs, such as: LibreOffice: Offers PDF editing features. PDFsam: Allows splitting, merging, and editing PDFs. Foxit Reader: Provides basic PDF viewing and editing capabilities. How do I compress a PDF file? You can use online tools like Smallpdf, ILovePDF, or desktop software like Adobe Acrobat to compress PDF files without significant quality loss. Compression reduces the file size, making it easier to share and download. Can I fill out forms in a PDF file? Yes, most PDF viewers/editors like Adobe Acrobat, Preview (on Mac), or various online tools allow you to fill out forms in PDF files by selecting text fields and entering information. Are there any restrictions when working with PDFs? Some PDFs might have restrictions set by their creator, such as password protection, editing restrictions, or print restrictions. Breaking these restrictions might require specific software or tools, which may or may not be legal depending on the circumstances and local laws.

**Find Complex Circuit Problems And Solutions :**

a framework for government agency quality management systems

**a hunger for god desiring god**

**a practical study of argument 7th edition trudy govier**

**8885452159 it27**

**a framework for marketing management 6e test bank**

~~a soprano on her head right side up reflections life and other performances cloise ristad~~

8888611681 IT10

*747 400 pilot handbook color simulator and checkride procedures airline training series volume 3*

~~7th grade math questions answers~~

a brief atlas of the human body

**8871796055 it2**

~~a conversation book 1 english in everyday life 4th edition~~

*9th grade literary devices quiz with answers*

**a dictionary of earth sciences oxford paperback reference**

*a taxonomy for learning teaching and assessing a revision of blooms taxonomy of educational objectives abridged edition*

**Complex Circuit Problems And Solutions :**

**the old rugged cross score sheet music timeless truths** - Dec 08 2022

web sheet music is available in two formats pdf and scorch and you can select your preference above the pdf format allows you to view and print the music and many computers already have a pdf reader in their browser

**free the old rugged cross by george bennard sheet music** - Aug 16 2023

web free the old rugged cross by george bennard sheet music download pdf or print on musescore com time for summer time for music 90 off 16 27 02 view offer

*the old rugged cross easy piano tutorial large print sheet music* - Jan 29 2022

web mar 9 2023 get the sheet music here bit ly 3lfgvgh easy piano tutorial for the classic praise and worship hymn the old rugged cross simplified arrangement featuring a single note melody in the

**youngmin you the old rugged cross sheet music piano** - Nov 07 2022

web print and download the old rugged cross sheet music by youngmin you arranged for piano instrumental solo in g major

sku mn0205499

**rev george bennard the old rugged cross sheet music easy piano** - Sep 05 2022

web rev george bennard the old rugged cross sheet music easy piano in c major transposable download print sku mn0081023  
the old rugged cross composed by rev george bennard digital sheet music easy piano musicnotes edition full performance  
and recording rights and unlimited prints

**the old rugged cross george bennard free piano sheet music** - Jan 09 2023

web free pdf download of the old rugged cross piano sheet music by george bennard this is free piano sheet music for the old  
rugged cross george bennard provided by makingmusicfun net the old rugged cross is a popular christian song written in  
1912 by evangelist and song leader george bennard 1873 1958

**the old rugged cross george bennard sheet music for piano** - Apr 12 2023

web jan 31 2021 download and print in pdf or midi free sheet music for the old rugged cross by george bennard arranged by  
dandozier for piano satb the old rugged cross george bennard sheet music for piano satb musescore com

*the old rugged cross open hymnal* - Feb 10 2023

web the old rugged cross cross and comfort words george bennard 1913 music and setting the old rugged cross george  
bennard 1913 copyright public domain this score is a part of the open hymnal project 2010 revision 140 6 4 on a o that in  
that to the hill old old old far a rug ged rug ged rug ged way cross cross cross stood so

**the old rugged cross easy piano sheet music digital print** - Aug 04 2022

web print and download the old rugged cross composed by george bennard easy piano sheet music christian hymn digital  
print sheet music edition professionally arranged by makingmusicfun net staff instrumental solo in c major format pdf pages  
2

the old rugged cross sheet music for piano solo - Jun 14 2023

web download and print in pdf or midi free sheet music for the old rugged cross by george bennard arranged by arcruce for  
piano solo

**the old rugged cross sheet music plus** - May 01 2022

web the old rugged cross by george bennard digital sheet music for piano solo download print a0 565073 sheet music plus

**27 the old rugged cross sheet music for piano satb** - Dec 28 2021

web jul 29 2020 download and print in pdf or midi free sheet music for the old rugged cross by george bennard arranged by  
madams48508 for piano satb

the old rugged cross sheet music plus - Feb 27 2022

web published by lorie line music inc a0 525601 item number a0 525601 piano keyboarddifficulty intermediatekey b



*im glad im a little guy story download only wrbb neu* - Nov 29 2021

family guy season 10 wikiquote my cancer story part 1 the diagnosis l r knost little how i crushed the 30 day cold shower challenge 25 awesome homeless guy signs holytaco

*poltergeist dev im glad im a little guy story* - Apr 03 2022

im glad im a little guy story cheating wife hi im a married white woman who has been meeting a single black guy other than kissing and hugging nothing sexually has happened he

summary of the story im glad im a little guy by carlos p - Mar 14 2023

summary of the story im glad im a little guy by carlos p romulo essays and term papers search results for summary of the story im glad im a little guy by carlos p romulo a

**essays on im glad im a little guy by carlos p romulo essay** - Jun 05 2022

rasha fawaz reading and writing b mr carter write your own revision of a fairy tale little red riding hood once upon a time there was a little girl called naomi 416 words 2 pages

**im glad im a little guy story speakings gestamp** - Sep 27 2021

im glad im a little guy story heroin story is a bbc documentary about a former heroin addict in recovery two months ago i was dating a guy for like a month and he was after me like

**im glad im a little guy story help environment harvard edu** - Oct 09 2022

as this im glad im a little guy story it ends in the works swine one of the favored book im glad im a little guy story collections that we have this is why you remain in the best

*english lesson plan for first year literature studymode* - May 16 2023

1 read the essay entitled i m glad i m a little guy by carlos p romulo 2 research on the biography of the author i objectives at the end of the lesson the students should be able to

**complete essay i m glad i m a little guy by carlos p paper** - Nov 10 2022

im glad im a little guy story yertle the turtle and other stories jan 15 2021 dr seuss presents three modern fables in the rhyming favorite yertle the turtle and other stories the

**i m so glad i m a little boy and you re a little girl** - Dec 11 2022

search results for complete essay i m glad i m a little guy by carlos p romulo idioms fidioms organiser organised by metaphor topic and key word by jon wright edited by jimmie hill

**i m glad i m a little guy pdf directions read this** - Jul 18 2023

i m glad i m a little guy one day in a united nations session in paris i found myself in a heated debate with andrei vishinsky chief of the soviet delegation i had strongly disagreed with a

*the story im glad im a little guy by carlos p romulo free essays* - Aug 07 2022

war of 1812 in view of the wants and needs of an infant united states 1783 1812 the war of 1812 was extremely successful in its results the war of 1812 is significant to united states

*first hostage video of 21 year old mia shem posted by hamas* - Dec 31 2021

im glad im a little guy story 3 3 and rock and roll hall of famer finds young jj green defying her parents to take an internship and forge creative friendships in the brill building rock

why did carlos romulo write im glad im a little guy answers - Apr 15 2023

dec 8 2022 see answer 1 best answer copy because what makes you different just might be your greatest strength you cannot blame yourself for what you don t have god created

*why did carlos p romulo wrote the i m glad i m a little guy* - Jun 17 2023

apr 28 2022 why did carlos romulo write im glad im a little guy because what makes you different just might be your greatest strength you cannot blame yourself for what you don t

**essays on i m glad i m a little guy by carlos p romulo essay** - May 04 2022

im glad im a little guy story what brief narrative incident is used as introduction a guy i m glad i never met in prison lola by the kinks songfacts daniel palka finally gets a hit but then

*im glad im a little guy story orientation sutd edu* - Mar 02 2022

in the news i m a 23 year old gay man training to be a priest though i m living on only 740 a month i don t regret it one bit peter banks at the congress of the european liberal youth in

essays on im glad i am a little guy by carlos p romulo essay - Jul 06 2022

the life of william carlos williams nothing whips my blood like verse these are the famous words of the great poet william carlos williams williams was born on september 17 1883 in

i m glad i m a little guy pdf scribd - Aug 19 2023

i m glad i m a little guy by carlos p romulo 5 one day in a united nations session in paris i found myself in a heated debate with andrei vishinsky chief of the soviet delegation i

**im glad im a little guy story patrick l talley pdf** - Jan 12 2023

merely said the im glad im a little guy story is universally compatible once any devices to read primary education 1904 english for a better world ii 2007 ed divorce patrick l

**im glad im a little guy story orientation sutd edu** - Aug 27 2021

**i m a 23 year old gay man training to be a priest though i m** - Feb 01 2022

oct 17 2023 the short video clip shows mia schem lying on a bed her right arm being bandaged by someone out of the frame a long fresh scar is clearly visible schem a 21 year

[im glad im a little guy story pdf doblespacio uchile](#) - Sep 08 2022

the story im glad im a little guy by carlos p romulo essays and term papers search results for the story im glad im a little guy by carlos p romulo duel of the dream deities we open

[lesson plan sample i am glad i am a little guy scribd](#) - Sep 20 2023

lesson plan sample i am glad i am a little guy free download as pdf file pdf text file txt or read online for free material development based on a short story written by a

[im glad im a little guy story media joomlashine com](#) - Oct 29 2021

this im glad im a little guy story as one of the greater part operational sellers here will entirely be paired with by the best selections to review why dont you attempt to get

[structural bolting fastenal](#) - Feb 02 2023

web structural bolting astm f3125 f3125m is a structural bolt specification covering inch and metric bolt grades this specification contains 4 grade a325 bolts are available in diameters from ½ to 1 1 2 inch for diameters greater than 1 1 2 astm a449 grade a490 bolts should not be galvanized or electroplated the problem with hot dip

**tightening torque range astm a325 bolts galvanized** - Sep 28 2022

web tightening torque range astm a325 bolts galvanized corrosion cracking jun 27 2021 determination of fatigue characteristics of hot dip galvanized a307 and a449 anchor bars and a325 cap screws feb 21 2021 it examines key issues affecting bolting in the automotive pressure vessel petrochemical aerospace and structural

[tightening torque range astm a325 bolts galvanized](#) - Feb 19 2022

web tightening torque range astm a325 bolts galvanized 3 3 of the selection installation and safe use of cranes and derricks on construction sites written for both engineers and non engineers by the principals of an engineering consulting firm that has helped to define the state of the art in crane and derrick engineering this authoritative guide

**pdf tightening torque range astm a325 bolts galvanized** - Jul 27 2022

web tightening torque range astm a325 bolts galvanized bulletin engineering experiment station oct 08 2022 cold formed steel structures to the aisi specification jul 17 2023 this volume reveals the behaviour and design of cold formed steel structures connections and systems it describes the aisi specification for the design of

**tightening torque range astm a325 bolts galvanized copy** - Oct 30 2022

web specification for structural joints using astm a325 or a490 bolts tightening torque range astm a325 bolts galvanized downloaded from api digital capito eu by guest korbin bowers asce manuals and reports on engineering practice routledge

trb s national cooperative highway research program nchrp report 721 fatigue  
[tightening torque range astm a325 bolts galvanized](#) - Nov 30 2022

web tightening torque range astm a325 bolts galvanized behaviour of steel structures in seismic areas aug 13 2021  
behaviour of steel structures in seismic areas is a comprehensive overview of recent developments in the field of seismic  
resistant steel structures it comprises a collection of papers presented at the seventh international  
[astm bolt torque chart vdocuments net](#) - Jun 25 2022

web jun 4 2018 astm a325 bolt size tpitension tightening torque range ft lbs min max min max plain galv waxed 2 13 12000  
14000 100 117 125 146 50 58 8 11 19000 23000 198 240 247 299 99 120 4 10 28000 34000 350 425 438 531 175 213 8 9  
39000 47000 569 685 711 857 284 3431 8 51000 61000 850 1017 1063 1271 425  
[specification for structural joints using astm a325 or a490 bolts](#) - May 05 2023

web the guide to design criteria for bolted and riveted joints 2nd edition kulak et al 1987 high strength bolt an astm a325 or  
a490 bolt an astm f1852 twist off type tension control bolt or an alternative design fastener that meets the requirements in  
[torque chart astm a325](#) - Oct 10 2023

web 1 1 2 6 118 000 143 000 1 475 1 788 2 950 3 575 because the calculations specified in the torque chart below are  
offered as a guide only it is the sole responsibility of any person using them to assume all risk there are many variables  
affecting the torque tension relationship such as human error surface texture and lubrication  
[tightening torque range astm a325 bolts galvanized 2023](#) - Mar 23 2022

web 2 tightening torque range astm a325 bolts galvanized 2023 07 01 called preload is critical to the safety and reliability of  
an assembled joint he introduces many ways to create that preload as well as ways to measure or inspect for it then covers  
how to design

**bolt torque chart aft fasteners** - Jul 07 2023

web because there are many variables that affect the torque tension relationship the only way to determine the correct  
torque is through experimentation under actual joint and assembly conditions bolt torque chart reference guides include  
grade 2 b7 a307 a325 grade 8 a490 and grade 5 aft fasteners is your trusted source for fastener  
[download your free a325 metric bolt torque and tension chart](#) - Mar 03 2023

web this a325 metric bolt chart shows the approximate torque range required to achieve the specified load needed to fasten  
these typical metric structural bolts sizes this chart is an approximation and it is recommended to use a calibrated load  
measurement device such as a calibre with a calibrated torque wrench when assembling your structure

**tightening torque range astm a325 bolts galvanized pdf** - Apr 23 2022

web oct 12 2023 merely said the tightening torque range astm a325 bolts galvanized is universally compatible with any

devices to read guidelines for design of wind turbines norske veritas organization 2009 first published 2001 design and analysis of connections in steel structures alfredo boracchini 2018 12 10 the book

*tightening torque range astm a325 bolts galvanized* - May 25 2022

web 4 tightening torque range astm a325 bolts galvanized 2019 11 14 thomas telford the principles and application in engineering series is a series of convenient economical references sharply focused on particular engineering topics and subspecialties each volume in this series comprises chapters carefully selected from crc s bestselling

*torque tension reference guide fastenal* - Jun 06 2023

web printed in u s a supply part number 9702365 as 06 14 torque poster for additional technical information contact fastenal engineering at engineer fastenal com nominal dia in threads per inch 307a astm a307 grade a sae j429 grade 5 sae j429 grade 8 f n l g 9 fnl grade 9 clamp load lbs tightening torque clamp load lbs

astm a325 bolt size tpi tension tightening torque range ft - Aug 28 2022

web a325 bolt torque read online for free port land bolt torque astm a325 bolt size tpi tension tightening torque range ft lbs min max min max galv waxed plain uploaded by kifayathulla003 0 ratings 0 found this document useful 0 votes 116 views 1 page

**bolt torque chart astm a325 pdf scribd** - Jan 01 2023

web 3 1 bridasforj jose luis pinto bolt torque chart astm a325 free download as pdf file pdf text file txt or read online for free tabla de torqueo

torque astm a325 sc fastening systems - Sep 09 2023

web torque astm a325 download pdf bolt size tpi tension min tension max tightening torque range ft lbs min max galv wax tightening torque range ft lbs min max plain 1 2 13 12 000 14 000 50 58 100 117 5 8 11 19 000 23 000 99 120

**a325 standard specification for structural bolts astm** - Apr 04 2023

web aug 16 2017 1 2 the bolts are intended for use in structural connections these connections are covered under the requirements of the specification for structural joints using astm a 325 or a 490 bolts approved by the research council on structural connections of the engineering foundation 1 3 the bolts are furnished in sizes  $\frac{1}{2}$  to  $1\frac{1}{2}$

**bolt torque chart a325 pdf scribd** - Aug 08 2023

web astm a325 tension tightening torque range bolt size tpi min max galv waxed plain 1 2 13 12 000 14 000 50 portland bolt astm a325 torque standard andrian firmansyah bolt torque astm a 490 bolt torque astm a 490 rinaldo kurniawan