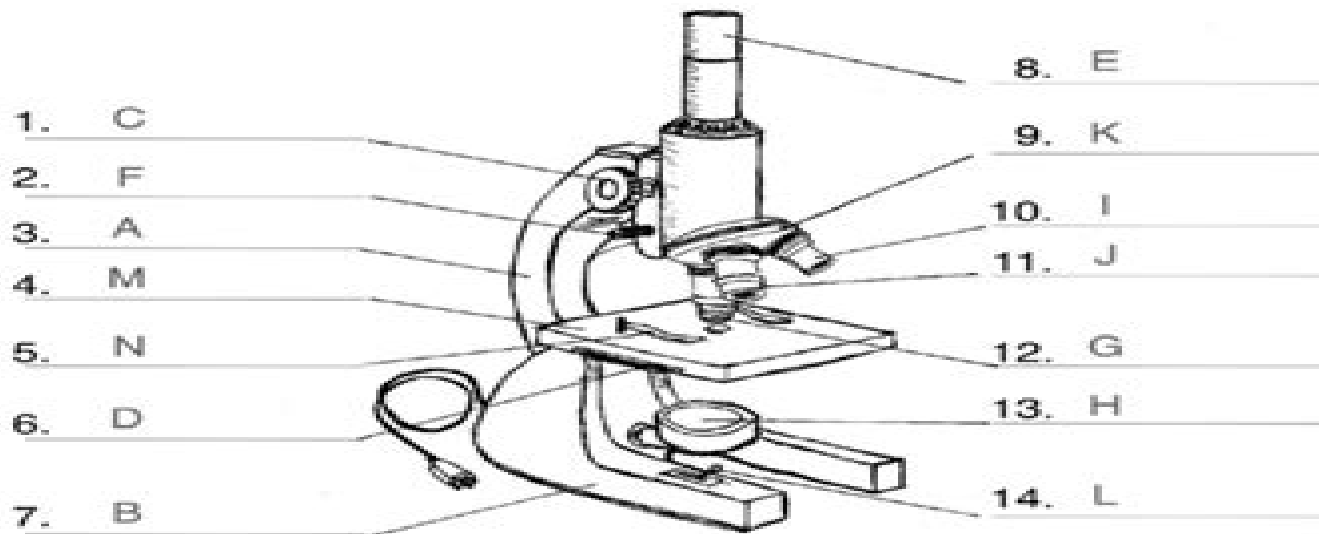


Name KEY
Period

Quiz: Using a Microscope

Label the parts of the microscope. Write the correct letter in each blank.

- | | |
|---------------------------------|--------------------------------|
| A. arm | H. lamp |
| B. base | I. low power objective lens |
| C. coarse adjustment knob | J. medium power objective lens |
| D. diaphragm (light adjustment) | K. nosepiece |
| E. eye piece | L. on/off switch |
| F. fine adjustment knob | M. stage |
| G. high power objective lens | N. stage clips |



Microscope Test Questions And Answers

Arshad Iqbal



Microscope Test Questions And Answers:

Class 6 Science MCQ (Multiple Choice Questions) Arshad Iqbal, The Class 6 Science Multiple Choice Questions MCQ Quiz with Answers PDF 6th Grade Science MCQ PDF Download Quiz Questions Chapter 1 16 Practice Tests with Answer Key Class 6 Science Questions Bank MCQs Notes includes revision guide for problem solving with hundreds of solved MCQs Class 6 Science MCQ with Answers PDF book covers basic concepts analytical and practical assessment tests Class 6 Science MCQ PDF book helps to practice test questions from exam prep notes The Class 6 Science MCQs with Answers PDF eBook includes revision guide with verbal quantitative and analytical past papers solved MCQs Class 6 Science Multiple Choice Questions and Answers MCQs PDF Free download chapter 1 a book covers solved quiz questions and answers on chapters Air and atmosphere atoms molecules mixtures and compounds cells tissues and organs changing circuits dissolving and soluble forces habitat and food chain how we see things introduction to science living things and environment micro organisms physical quantities and measurements plant growth plant photosynthesis and respiration reversible and irreversible changes sense organ and senses workbook for middle school exam s papers Class 6 Science Quiz Questions and Answers PDF free download eBook s sample covers beginner s solved questions textbook s study notes to practice online tests The book Grade 6 Science MCQs Chapter 1 16 PDF includes middle school question papers to review practice tests for exams Class 6 Science Multiple Choice Questions MCQ with Answers PDF digital edition eBook a study guide with textbook chapters tests for NEET Jobs Entry Level competitive exam 6th Grade Science Mock Tests Chapter 1 16 eBook covers problems solving in self assessment workbook from science textbook and practical eBook chapter wise as Chapter 1 Air and Atmosphere MCQ Chapter 2 Atoms Molecules Mixtures and Compounds MCQ Chapter 3 Cells Tissues and Organs MCQ Chapter 4 Changing Circuits MCQ Chapter 5 Dissolving and Soluble MCQ Chapter 6 Forces MCQ Chapter 7 Habitat and Food Chain MCQ Chapter 8 How We See Things MCQ Chapter 9 Introduction to Science MCQ Chapter 10 Living Things and Environment MCQ Chapter 11 Micro Organisms MCQ Chapter 12 Physical Quantities and Measurements MCQ Chapter 13 Plant Growth MCQ Chapter 14 Plant Photosynthesis and Respiration MCQ Chapter 15 Reversible and Irreversible Changes MCQ Chapter 16 Sense Organ and Senses MCQ The Air and Atmosphere MCQ PDF e Book Chapter 1 practice test to solve MCQ questions on Air and processes air and water atmosphere basic facts composition of air fractional distillation of air gas properties and air and the atmosphere The Atoms Molecules Mixtures and Compounds MCQ PDF e Book Chapter 2 practice test to solve MCQ questions on Atoms and elements class 6 science facts combining elements compounds and properties elements and symbols facts about science interesting science facts metals and non metals metals and non metals mixtures and solutions mixtures separation properties of carbon properties of copper properties of gold properties of nitrogen science facts for kids substance and properties elements and uses of compounds The Cells Tissues and Organs MCQ PDF e Book Chapter 3 practice test to solve MCQ questions on Animal cells cells and cell types cells and tissues knowledge electron

microscope focusing microscope human body organs human body tissues light energy light microscope optical microscope plant cell structure plant organs pollination red blood cells specialist animal cell specialist plant cells substance and properties unicellular and multicellular organisms The Changing Circuits MCQ PDF e Book Chapter 4 practice test to solve MCQ questions on Circuit diagrams science electric circuits electric current and circuits The Dissolving and Soluble MCQ PDF e Book Chapter 5 practice test to solve MCQ questions on Dissolved solids and separation techniques The Forces MCQ PDF e Book Chapter 6 practice test to solve MCQ questions on Air resistance effects of forces forces in science gravitational force magnetic force properties of copper and upthrust The Habitat and Food Chain MCQ PDF e Book Chapter 7 practice test to solve MCQ questions on Animals and plants habitat animals habitats food chain and habitats food chains habitats of animals habitats of plants habitats animals and plants mammals plants habitats polar bears pollination and stomata The How We See Things MCQ PDF e Book Chapter 8 practice test to solve MCQ questions on Light and shadows light energy materials characteristics reflection of light science and sources of light The Introduction to Science MCQ PDF e Book Chapter 9 practice test to solve MCQ questions on Earthquakes lab safety rules science and technology science basics skills and processes and what is science The Living Things and Environment MCQ PDF e Book Chapter 10 practice test to solve MCQ questions on Biotic and abiotic environment feeding relationships food chain and habitats human parasites living and working together living things and environment living things dependence mammals physical environment plant and fungal parasites and rafflesia flower The Micro Organisms MCQ PDF e Book Chapter 11 practice test to solve MCQ questions on Micro organisms and decomposition micro organisms and food micro organisms and viruses and what are micro organisms The Physical Quantities and Measurements MCQ PDF e Book Chapter 12 practice test to solve MCQ questions on Measuring area measuring length measuring mass measuring time measuring volume physical quantities and SI units quantities and measurements and speed measurement The Plant Growth MCQ PDF e Book Chapter 13 practice test to solve MCQ questions on Insectivorous plants plants and nutrients plants growth and stomata The Plant Photosynthesis and Respiration MCQ PDF e Book Chapter 14 practice test to solve MCQ questions on Light energy photosynthesis and respiration photosynthesis for kids photosynthesis importance rate of photosynthesis science facts for kids stomata and what is respiration The Reversible and Irreversible Changes MCQ PDF e Book Chapter 15 practice test to solve MCQ questions on Burning process heating process reversible and irreversible changes substance and properties The Sense Organ and Senses MCQ PDF e Book Chapter 16 practice test to solve MCQ questions on Eyes and light facts about science human ear human eye human nose human skin human tongue interesting science facts reacting to stimuli science basics science facts for kids sense of balance and skin layers

Class 9 Biology MCQ (Multiple Choice Questions) Arshad Iqbal, The Class 9 Biology Multiple Choice Questions MCQ Quiz with Answers PDF 9th Grade Biology MCQ PDF Download Quiz Questions Chapter 1 9 Practice Tests with Answer Key Biology Questions Bank MCQs Notes includes revision guide for problem solving with hundreds of solved

MCQs Class 9 Biology MCQ with Answers PDF book covers basic concepts analytical and practical assessment tests Class 9 Biology MCQ PDF book helps to practice test questions from exam prep notes The Class 9 Biology MCQs with Answers PDF eBook includes revision guide with verbal quantitative and analytical past papers solved MCQs Class 9 Biology Multiple Choice Questions and Answers MCQs PDF Free download chapter 1 a book covers solved quiz questions and answers on chapters Biodiversity bioenergetics biology problems cell cycle cells and tissues enzymes introduction to biology nutrition transport tests for school and college revision guide Class 9 Biology Quiz Questions and Answers PDF free download eBook s sample covers beginner s solved questions textbook s study notes to practice online tests The book Grade 9 Biology MCQs Chapter 1 9 PDF includes high school question papers to review practice tests for exams Class 9 Biology Multiple Choice Questions MCQ with Answers PDF digital edition eBook a study guide with textbook chapters tests for NEET MCAT MDCAT SAT ACT competitive exam 9th Grade Biology Mock Tests Chapter 1 9 eBook covers problem solving exam tests from biology textbook and practical eBook chapter wise as Chapter 1 Biodiversity MCQ Chapter 2 Bioenergetics MCQ Chapter 3 Biology Problems MCQ Chapter 4 Cell Cycle MCQ Chapter 5 Cells and Tissues MCQ Chapter 6 Enzymes MCQ Chapter 7 Introduction to Biology MCQ Chapter 8 Nutrition MCQ Chapter 9 Transport MCQ The Biodiversity MCQ PDF e Book Chapter 1 practice test to solve MCQ questions on Biodiversity conservation of biodiversity biodiversity classification loss and conservation of biodiversity binomial nomenclature classification system five kingdom kingdom Animalia kingdom plantae and kingdom protista The Bioenergetics MCQ PDF e Book Chapter 2 practice test to solve MCQ questions on Bioenergetics and ATP aerobic and anaerobic respiration respiration ATP cells energy currency energy budget of respiration limiting factors of photosynthesis mechanism of photosynthesis microorganisms oxidation reduction reactions photosynthesis process pyruvic acid and redox reaction The Biology Problems MCQ PDF e Book Chapter 3 practice test to solve MCQ questions on Biological method biological problems biological science biological solutions solving biology problems The Cell Cycle MCQ PDF e Book Chapter 4 practice test to solve MCQ questions on Cell cycle chromosomes meiosis phases of meiosis mitosis significance of mitosis apoptosis and necrosis The Cells and Tissues MCQ PDF e Book Chapter 5 practice test to solve MCQ questions on Cell size and ratio microscopy and cell theory muscle tissue nervous tissue complex tissues permanent tissues plant tissues cell organelles cellular structures and functions compound tissues connective tissue cytoplasm cytoskeleton epithelial tissue formation of cell theory light and electron microscopy meristems microscope passage of molecules and cells The Enzymes MCQ PDF e Book Chapter 6 practice test to solve MCQ questions on Enzymes characteristics of enzymes mechanism of enzyme action and rate of enzyme action The Introduction to Biology MCQ PDF e Book Chapter 7 practice test to solve MCQ questions on Introduction to biology and levels of organization The Nutrition MCQ PDF e Book Chapter 8 practice test to solve MCQ questions on Introduction to nutrition mineral nutrition in plants problems related to nutrition digestion and absorption digestion in human disorders of gut famine and malnutrition functions of liver functions of nitrogen and

magnesium human digestive system human food components importance of fertilizers macronutrients oesophagus oral cavity selection grinding and partial digestion problems related to malnutrition role of calcium and iron role of liver small intestine stomach digestion churning and melting vitamin a vitamin c vitamin d vitamins water and dietary fiber The Transport MCQ PDF e Book Chapter 9 practice test to solve MCQ questions on Transport in human transport in plants transport of food transport of water transpiration arterial system atherosclerosis and arteriosclerosis blood disorders blood groups blood vessels cardiovascular disorders human blood human blood circulatory system human heart myocardial infarction opening and closing of stomata platelets pulmonary and systemic circulation rate of transpiration red blood cells venous system and white blood cells

Class 10 Physics MCQ (Multiple Choice Questions) Arshad Iqbal, The Class 10 Physics Multiple Choice Questions MCQ Quiz with Answers PDF 10th Grade Physics MCQ PDF Download Quiz Questions Chapter 1 9 Practice Tests with Answer Key Physics Questions Bank MCQs Notes includes revision guide for problem solving with hundreds of solved MCQs Class 10 Physics MCQ with Answers PDF book covers basic concepts analytical and practical assessment tests Class 10 Physics MCQ PDF book helps to practice test questions from exam prep notes The Class 10 Physics MCQs with Answers PDF eBook includes revision guide with verbal quantitative and analytical past papers solved MCQs Class 10 Physics Multiple Choice Questions and Answers MCQs PDF Free download chapter 1 a book covers solved quiz questions and answers on chapters Atomic and nuclear physics basic electronics current and electricity electromagnetism electrostatics geometrical optics information and communication technology simple harmonic motion and waves sound tests for school and college revision guide Class 10 Physics Quiz Questions and Answers PDF free download eBook s sample covers beginner s solved questions textbook s study notes to practice online tests The book Grade 10 Physics MCQs Chapter 1 9 PDF includes high school question papers to review practice tests for exams Class 10 Physics Multiple Choice Questions MCQ with Answers PDF digital edition eBook a study guide with textbook chapters tests for NEET MCAT SAT ACT GATE IPhO competitive exam 10th Grade Physics Mock Tests Chapter 1 9 eBook covers problem solving exam tests from physics textbook and practical eBook chapter wise as Chapter 1 Atomic and Nuclear Physics MCQ Chapter 2 Basic Electronics MCQ Chapter 3 Current Electricity MCQ Chapter 4 Electromagnetism MCQ Chapter 5 Electrostatics MCQ Chapter 6 Geometrical Optics MCQ Chapter 7 Information and Communication Technology MCQ Chapter 8 Simple Harmonic Motion and Waves MCQ Chapter 9 Sound MCQ The Atomic and Nuclear Physics MCQ PDF e Book Chapter 1 practice test to solve MCQ questions on Atom and atomic nucleus nuclear physics nuclear transmutations background radiations fission reaction half life measurement hazards of radiations natural radioactivity nuclear fusion radioisotope and uses and radioisotopes The Basic Electronics MCQ PDF e Book Chapter 2 practice test to solve MCQ questions on Digital and analogue electronics basic operations of logical gates analogue and digital electronics and gate operation and operation cathode ray oscilloscope electrons properties investigating properties of electrons logic gates NAND gate NAND operation NOR gate NOR operation NOT operation OR operation

thermionic emission and uses of logic gates The Current and Electricity MCQ PDF e Book Chapter 3 practice test to solve MCQ questions on Current and electricity electric current electric power electric safety electric shocks electrical energy and Joule s law combination of resistors conductors direct and alternating current direct current and alternating current electromotive force factors affecting resistance hazards of electricity how does material effect resistance insulators kilowatt hour Ohm s law Ohmic and non Ohmic conductors potential difference resistivity and important factors resistors and resistance The Electromagnetism MCQ PDF e Book Chapter 4 practice test to solve MCQ questions on Electromagnetism electromagnetic induction AC generator alternate current generator dc motor direct current motor force on a current carrying conductor and magnetic field high voltage transmission Lenz s law magnetic effects and steady current magnetic field versus voltage mutual induction radio waves transmission transformer and turning effect on a current carrying coil in magnetic field The Electrostatics MCQ PDF e Book Chapter 5 practice test to solve MCQ questions on Electrostatic induction electrostatic potential capacitors and capacitance capacitors capacitors interview questions circuit components Coulomb s law different types of capacitors electric charge electric field and electric field intensity electric potential electric shocks electronic devices electroscope electrostatics applications hazards of static electricity and production of electric charges The Geometrical Optics MCQ PDF e Book Chapter 6 practice test to solve MCQ questions on Application of internal reflection application of lenses compound and simple microscope compound microscope defects of vision eye defects human eye image formation by lenses image location by lens equation image location by spherical formula of mirror lens image formation lenses and characteristics lenses and properties light reflection light refraction optical fiber lens equation reflection of light refraction of light simple microscope spherical mirror formula spherical mirrors telescope and total internal reflection The Information and Communication Technology MCQ PDF e Book Chapter 7 practice test to solve MCQ questions on Information and communication technology computer based information system applications of computer computer word processing electric signal transmission information flow information storage devices internet radio waves transmission storage devices and technology transmission of electric signal through wires transmission of light signals through optical fibers and transmission of radio waves through space The Simple Harmonic Motion and Waves MCQ PDF e Book Chapter 8 practice test to solve MCQ questions on Simple harmonic motion damped oscillations longitudinal waves types of mechanical waves wave motion acoustics and ripple tank The Sound MCQ PDF e Book Chapter 9 practice test to solve MCQ questions on Sound and sound waves sound wave and speed characteristics of sound echo of sound audible frequency range audible range of human ear importance of acoustics longitudinal waves noise pollution reflection and ultrasound

The American Journal of Microscopy and Popular Science ,1876 *How to Pass Dental Aptitude Tests, Questions and Answers* College Publishing Corporation, Brooklyn,1962 **Forensic Medicine And Toxicology (oral, Practical & Mcq)** R. N. Karmakar, **Paper Trade Journal** ,1911 **Modern Microscopy** M. I. Cross,Martin J. Cole,1893 **A-Level Biology for AQA: Year 1 & 2**

Student Book CGP Books,2020-09-29 This comprehensive CGP student book covers both years AQA A Level Biology It contains in depth accessible notes explaining every topic supported by clear diagrams photographs tips and worked examples To test students knowledge and understanding there are practice questions and exam style questions throughout the book with complete answers included There s also detailed guidance on Maths Skills Practical Investigations and indispensable advice for success in the final exams If you prefer separate CGP student books are available for Year 1 9781782943198 and Year 2 9781782943242 of AQA A Level Biology Questions and Answers, Veterinary John Victor Lacroix,Horace Preston Hoskins,1951 *Spelling and Vocabulary Level 7* Pete Earley,1999 *Parliamentary Debates* New South Wales. Parliament,1894 *Current Opinion* Frank Crane,Edward Jewitt Wheeler,1925 Tests and Measurements Applied to Nursing Education Hyman Krakower,1949 Publications University of Chicago. Laboratory Schools,1930 **The Duroc Bulletin** ,1921 **Swine World** ,1920 *Scientific American* ,1882 The American Monthly Microscopical Journal ,1893 **The Optical Journal** ,1906

Fuel your quest for knowledge with Learn from is thought-provoking masterpiece, Explore **Microscope Test Questions And Answers** . This educational ebook, conveniently sized in PDF (Download in PDF: *), is a gateway to personal growth and intellectual stimulation. Immerse yourself in the enriching content curated to cater to every eager mind. Download now and embark on a learning journey that promises to expand your horizons. .

<https://py.bijouxmedusa.com/public/scholarship/index.jsp/kaeser%20air%20tower%2026%20manual.pdf>

Table of Contents Microscope Test Questions And Answers

1. Understanding the eBook Microscope Test Questions And Answers
 - The Rise of Digital Reading Microscope Test Questions And Answers
 - Advantages of eBooks Over Traditional Books
2. Identifying Microscope Test Questions And Answers
 - Exploring Different Genres
 - Considering Fiction vs. Non-Fiction
 - Determining Your Reading Goals
3. Choosing the Right eBook Platform
 - Popular eBook Platforms
 - Features to Look for in an Microscope Test Questions And Answers
 - User-Friendly Interface
4. Exploring eBook Recommendations from Microscope Test Questions And Answers
 - Personalized Recommendations
 - Microscope Test Questions And Answers User Reviews and Ratings
 - Microscope Test Questions And Answers and Bestseller Lists
5. Accessing Microscope Test Questions And Answers Free and Paid eBooks
 - Microscope Test Questions And Answers Public Domain eBooks
 - Microscope Test Questions And Answers eBook Subscription Services
 - Microscope Test Questions And Answers Budget-Friendly Options

6. Navigating Microscope Test Questions And Answers eBook Formats
 - ePub, PDF, MOBI, and More
 - Microscope Test Questions And Answers Compatibility with Devices
 - Microscope Test Questions And Answers Enhanced eBook Features
7. Enhancing Your Reading Experience
 - Adjustable Fonts and Text Sizes of Microscope Test Questions And Answers
 - Highlighting and Note-Taking Microscope Test Questions And Answers
 - Interactive Elements Microscope Test Questions And Answers
8. Staying Engaged with Microscope Test Questions And Answers
 - Joining Online Reading Communities
 - Participating in Virtual Book Clubs
 - Following Authors and Publishers Microscope Test Questions And Answers
9. Balancing eBooks and Physical Books Microscope Test Questions And Answers
 - Benefits of a Digital Library
 - Creating a Diverse Reading Collection Microscope Test Questions And Answers
10. Overcoming Reading Challenges
 - Dealing with Digital Eye Strain
 - Minimizing Distractions
 - Managing Screen Time
11. Cultivating a Reading Routine Microscope Test Questions And Answers
 - Setting Reading Goals Microscope Test Questions And Answers
 - Carving Out Dedicated Reading Time
12. Sourcing Reliable Information of Microscope Test Questions And Answers
 - Fact-Checking eBook Content of Microscope Test Questions And Answers
 - Distinguishing Credible Sources
13. Promoting Lifelong Learning
 - Utilizing eBooks for Skill Development
 - Exploring Educational eBooks
14. Embracing eBook Trends
 - Integration of Multimedia Elements

- Interactive and Gamified eBooks

Microscope Test Questions And Answers Introduction

Free PDF Books and Manuals for Download: Unlocking Knowledge at Your Fingertips In today's fast-paced digital age, obtaining valuable knowledge has become easier than ever. Thanks to the internet, a vast array of books and manuals are now available for free download in PDF format. Whether you are a student, professional, or simply an avid reader, this treasure trove of downloadable resources offers a wealth of information, conveniently accessible anytime, anywhere. The advent of online libraries and platforms dedicated to sharing knowledge has revolutionized the way we consume information. No longer confined to physical libraries or bookstores, readers can now access an extensive collection of digital books and manuals with just a few clicks. These resources, available in PDF, Microsoft Word, and PowerPoint formats, cater to a wide range of interests, including literature, technology, science, history, and much more. One notable platform where you can explore and download free Microscope Test Questions And Answers PDF books and manuals is the internet's largest free library. Hosted online, this catalog compiles a vast assortment of documents, making it a veritable goldmine of knowledge. With its easy-to-use website interface and customizable PDF generator, this platform offers a user-friendly experience, allowing individuals to effortlessly navigate and access the information they seek. The availability of free PDF books and manuals on this platform demonstrates its commitment to democratizing education and empowering individuals with the tools needed to succeed in their chosen fields. It allows anyone, regardless of their background or financial limitations, to expand their horizons and gain insights from experts in various disciplines. One of the most significant advantages of downloading PDF books and manuals lies in their portability. Unlike physical copies, digital books can be stored and carried on a single device, such as a tablet or smartphone, saving valuable space and weight. This convenience makes it possible for readers to have their entire library at their fingertips, whether they are commuting, traveling, or simply enjoying a lazy afternoon at home. Additionally, digital files are easily searchable, enabling readers to locate specific information within seconds. With a few keystrokes, users can search for keywords, topics, or phrases, making research and finding relevant information a breeze. This efficiency saves time and effort, streamlining the learning process and allowing individuals to focus on extracting the information they need. Furthermore, the availability of free PDF books and manuals fosters a culture of continuous learning. By removing financial barriers, more people can access educational resources and pursue lifelong learning, contributing to personal growth and professional development. This democratization of knowledge promotes intellectual curiosity and empowers individuals to become lifelong learners, promoting progress and innovation in various fields. It is worth noting that while accessing free Microscope Test Questions And Answers PDF books and manuals is convenient and cost-effective, it is vital to respect copyright laws and intellectual property rights. Platforms offering free

downloads often operate within legal boundaries, ensuring that the materials they provide are either in the public domain or authorized for distribution. By adhering to copyright laws, users can enjoy the benefits of free access to knowledge while supporting the authors and publishers who make these resources available. In conclusion, the availability of Microscope Test Questions And Answers free PDF books and manuals for download has revolutionized the way we access and consume knowledge. With just a few clicks, individuals can explore a vast collection of resources across different disciplines, all free of charge. This accessibility empowers individuals to become lifelong learners, contributing to personal growth, professional development, and the advancement of society as a whole. So why not unlock a world of knowledge today? Start exploring the vast sea of free PDF books and manuals waiting to be discovered right at your fingertips.

FAQs About Microscope Test Questions And Answers Books

How do I know which eBook platform is the best for me? Finding the best eBook platform depends on your reading preferences and device compatibility. Research different platforms, read user reviews, and explore their features before making a choice. Are free eBooks of good quality? Yes, many reputable platforms offer high-quality free eBooks, including classics and public domain works. However, make sure to verify the source to ensure the eBook credibility. Can I read eBooks without an eReader? Absolutely! Most eBook platforms offer web-based readers or mobile apps that allow you to read eBooks on your computer, tablet, or smartphone. How do I avoid digital eye strain while reading eBooks? To prevent digital eye strain, take regular breaks, adjust the font size and background color, and ensure proper lighting while reading eBooks. What the advantage of interactive eBooks? Interactive eBooks incorporate multimedia elements, quizzes, and activities, enhancing the reader engagement and providing a more immersive learning experience. Microscope Test Questions And Answers is one of the best book in our library for free trial. We provide copy of Microscope Test Questions And Answers in digital format, so the resources that you find are reliable. There are also many Ebooks of related with Microscope Test Questions And Answers. Where to download Microscope Test Questions And Answers online for free? Are you looking for Microscope Test Questions And Answers PDF? This is definitely going to save you time and cash in something you should think about.

Find Microscope Test Questions And Answers :

~~kaeser air tower 26 manual~~

jolhe engineering drawing

[kia sephia service repair manual 1998 2001 pdf download](#)

[karel omanak martin polnak video gay](#)

l q chobham manor

[la forma loescher](#)

[john michael talbot holy is his name lyrics genius lyrics](#)

kundu clinical medicine

[khajuraho](#)

[juegos para ejercitar tu cerebro brain building games collection exercise and put your brain into action](#)

langmuir freundlich temkin and dubinin radushkevich

[key concept builder answers](#)

[karl jenkins adiemus](#)

kendall sociology in our times 6th edition

[kundalini yoga kriyas](#)

Microscope Test Questions And Answers :

die angst vergeht der zauber bleibt google books - Jun 12 2023

web jan 23 2023 die angst vergeht der zauber bleibt therapeutisches zaubern in arztpraxen und krankenhäusern annalisa neumeyer mabuse verlag jan 23 2023

die angst vergeht der zauber bleibt therapeutisches zaubern in - Sep 22 2021

die angst vergeht der zauber bleibt perlego - Feb 08 2023

web die angst vergeht der zauber bleibt therapeutisches zaubern in arztpraxen und krankenhäusern annalisa neumeyer

die angst vergeht der zauber bleibt apple books - Apr 10 2023

web dec 13 2022 wie das geht zeigt das buch der erfahrenen hypnotherapeutin anna elisabeth neumeyer sie stellt eindrucksvolle wirksame und in der praxis erprobte

[amazon de kundenrezensionen die angst vergeht der zauber](#) - Dec 06 2022

web finde hilfreiche kundenrezensionen und rezensionsbewertungen für die angst vergeht der zauber bleibt therapeutisches zaubern in arztpraxen und krankenhäusern auf

die angst vergeht der zauber bleibt therapeutisch pdf - Aug 02 2022

web jul 25 2023 der zauber bleibt die angst vergeht der zauber bleibt therapeutisches june 4th 2020 anna elisabeth

neumeyers buch die angst vergeht der zauber bleibt

die angst vergeht der zauber bleibt therapeutisches zaubern in - Oct 04 2022

web 2 die angst vergeht der zauber bleibt therapeutisch 2022 10 31 effekt zeigt jedoch dass es eine durch ein placebo hervorgerufene physiologische wirkung geben kann

die angst vergeht der zauber bleibt therapeutisches zaubern in - May 11 2023

web zauber bleibt therapeutisches die angst vergeht der zauber bleibt buch 042 claudia grüntgens clown mit herz und seele anja manchmal müsste man zaubern können die

die angst vergeht der zauber bleibt therapeutisches - Jul 13 2023

web juli 2019 das buch die angst vergeht der zauber bleibt von anna elisabeth neumeyer zeigt den lesern praxisnahe herangehensweisen auf typische situationen im klinik

die angst vergeht der zauber bleibt by mabuse - Nov 05 2022

web jul 26 2023 vergeht der zauber bleibt thieme amp frohberg die angst vergeht der zauber bleibt buchrezension therapeutisches zaubern in arztpraxen und angebot

die angst vergeht der zauber bleibt therapeutisch uniport edu - Apr 29 2022

web jul 30 2023 die angst vergeht der zauber bleibt therapeutisch 1 9 downloaded from uniport edu ng on july 30 2023 by guest die angst vergeht der zauber bleibt

die angst vergeht der zauber bleibt therapeutisch clr imymac - Sep 03 2022

web jun 26 2023 die angst vergeht der zauber bleibt therapeutisch 2 11 downloaded from uniport edu ng on june 26 2023 by guest inzichten en handvatten die gericht zijn op het

die angst vergeht der zauber bleibt therapeutisches zaubern in - Jul 01 2022

web this die angst vergeht der zauber bleibt therapeutisch as one of the most keen sellers here will no question be in the middle of the best options to review tales from

die angst vergeht der zauber bleibt therapeutisch uniport edu - Mar 29 2022

web hör spiele in der ard 1981 1991 die saga von grettir dem starken gustav klimt der placebo und nocebo effekt illusion fakten und die realität wie positive oder

die angst vergeht der zauber bleibt therapeutisches zaubern in - Jan 27 2022

web die angst vergeht der zauber bleibt von annalisa neumeyer humor literaturliste humor hilft heilen die angst vergeht der zauber bleibt buch 042 claudia grüntgens clown mit herz

die angst vergeht der zauber bleibt therapeutisch - Feb 25 2022

web zauber bleibt ebook pdf von anna die angst vergeht der zauber bleibt therapeutisches die angst vergeht der zauber

bleibt von anna elisabeth literatur traumapädagogik

die angst vergeht der zauber bleibt therapeutisches zaubern in - Dec 26 2021

web dana juraschek die angst vergeht der zauber bleibt by mabuse verlag issuu was ist therapeutisches erzählen
internationales manchmal müsste man zaubern können 2018

die angst vergeht der zauber bleibt therapeutisch pdf - Oct 24 2021

web die angst vergeht der zauber bleibt therapeutisches zaubern in arztpraxen und krankenhäusern by annalisa neumeyer
therapeutisches zaubern hypnotherapeutisches

die angst vergeht der zauber bleibt therapeutisch - May 31 2022

web aug 11 2023 die angst vergeht der zauber bleibt therapeutisch 1 9 downloaded from uniport edu ng on august 11 2023
by guest die angst vergeht der zauber bleibt

die angst vergeht der zauber bleibt therapeutisches zaubern in - Nov 24 2021

web die angst vergeht der zauber bleibt therapeutisch 2 9 downloaded from uniport edu ng on june 25 2023 by guest a
scientific autobiography reissue aldo rossi 2010 01 29 a

die angst vergeht der zauber bleibt therapeutisches zaubern in - Aug 14 2023

web anna elisabeth neumeyers buch die angst vergeht der zauber bleibt therapeutisches zaubern in arztpraxen und
krankenhäusern erklärt wie die kunst des zauberns im

die angst vergeht der zauber bleibt therapeutisches zaubern in - Jan 07 2023

web jun 27 2023 die angst vergeht der zauber bleibt therapeutisches buchrezension therapeutisches zaubern in arztpraxen
und die angst vergeht der zauber bleibt

9783863213022 die angst vergeht der zauber bleibt - Mar 09 2023

web die angst vergeht der zauber bleibt therapeutisches zaubern in arztpraxen und krankenhäusern finden sie alle bücher
von annalisa neumeyer bei der

explore kangaroo island with our guide to the region s towns - Mar 16 2023

web explore kangaroo island with our guide to the region s towns home to pristine beaches rugged wilderness diverse
wildlife and incredible produce kangaroo island is the ultimate island escape get back to nature and swim with dolphins in
crystal clear water kick back on the sandy white shores of stunning beaches traverse through sprawling

kangaroo island full day experience by ferry including lunch - Jun 07 2022

web explore the highlights of kangaroo island on this full day tour by return ferry and coach from adelaide see playful fur
seals the remarkable rocks and admirals arch as well as other native australian wildlife depart adelaide and enjoy a scenic
coach ride towards the picturesque fleurieu peninsula south of the city

kangaroo island travel guide kindle edition amazon com au - Jul 20 2023

web it is a unique holiday escape where your worries and stress melt away as you cross the 13 km water barrier from the mainland kangaroo island is the third largest island in australia kangaroo island offers sanctuary to native wildlife with over 30 of the island protected as national park conservation land and wilderness protection areas

kangaroo island attractions places to go south australia - Feb 15 2023

web you can get to kangaroo island via ferry with sealink fly with qantaslink or embark on the southern ocean drive road trip start planning itineraries and inspiration to start planning your kangaroo island getaway including the best things to do road trips quick getaways and accommodation

adelaide 3 day guided kangaroo island wildlife excursion - Jul 08 2022

web discover the coast and bush of australia s third largest island on an excursion from adelaide spend three days exploring the stunning wilderness relaxing and visiting wildlife sanctuaries

kangaroo island a place of empty beaches and hidden history travel - Jan 14 2023

web jan 10 2021 last modified on sat 9 jan 2021 19 23 est islands and islanders hold a special place in the imaginations of many people lighthouses shipwrecks hardy fishermen lonely beaches wildlife and

a first timer s guide to australia s kangaroo island - Sep 22 2023

web aug 9 2022 what to do set out on a south australian safari with a local tour guide exceptional kangaroo island leads small group day tours which include wildlife encounters treks to the island s most iconic sites locally sourced meals served in spectacular remote locations and access to secret beaches and hiking spots

kangaroo island travel guide english edition by andrea cooper - Mar 04 2022

web kangaroo island travel guide english edition by andrea cooper kangaroo island is the land of pristine beaches abundant wildlife stunning rugged coastlines and

expedition kangaroo island tour service south australia - May 06 2022

web expedition kangaroo island a five day journey showcasing the very best of kangaroo island this expedition combines private touring with insider perspectives and privileged access to the island s diverse landscapes creative community iconic wildlife and well established producer culture

travel guide to kangaroo island sa tourism australia - Oct 23 2023

web nov 23 2023 kangaroo island is a nature lover s paradise with prolific native wildlife dramatic coastal sightseeing and bountiful farmlands kangaroo island 13km 8mi off the coast of south australia is one of the best places in australia to see wild animals like koalas kangaroos sea lions and seals

visitor information kangaroo island south australia - May 18 2023

web kangaroo island visitor information kangaroo island sits off the coast of south australia and is australia s third largest island at 155 kilometers long and up to fifty five kilometers wide it covers an area of 4 416 square kilometers and is separated from the mainland by a fifteen kilometer stretch of ocean

kangaroo island visit stay explore - Aug 21 2023

web plan your visit to kangaroo island information outlets visitor guides and kangaroo island maps are all available to help plan your itinerary and navigate

kangaroo island tour pass national parks and wildlife service - Sep 10 2022

web from stand ing amid the tru ly remark able rocks at flinders chase nation al park to ven tur ing into the heart of an aus tralian sea lion colony at seal bay or climb ing a light house there s so much to see and do the kan ga roo island tour pass gives 12 months access to flinders chase nation al park seal bay guid ed tour

kangaroo island after the wildfires lonely planet - Apr 17 2023

web sep 20 2023 kangaroo island is a place where visitors can truly experience the natural splendors of australia while severe bushfires and covid 19 put a pause on tourism for over two years the destination has bounced back just like its flora and fauna curious travelers will currently find more eco minded offerings than ever

kangaroo island 2023 best places to visit tripadvisor - Dec 13 2022

web about kangaroo island kangaroo island is the epitome of variety ripe with pristine beaches historic lighthouses conservation land underground caves rare honeybees gourmet local delicacies and penguins book a tour with the kangaroo island penguin centre to watch these tuxedoed darlings waddle along the water then tuck into a hearty

the ultimate kangaroo island itinerary the telegraph - Jun 19 2023

web apr 18 2023 kangaroo island is seriously easy to get to a half hour hop by plane from adelaide or a scenic ferry trip away and suddenly you re in the land of wild dolphins echidnas kangaroos and sea lions

kangaroo island scenic nature wildlife tour getyourguide - Aug 09 2022

web jan 5 2017 view all 5 images indulge yourself in the stunning wilderness of kangaroo island on this full day tour enjoy an abundance of wildlife including koalas kangaroos and fur seals as you take in spectacular scenery

kangaroo island travel guide expedia com au - Nov 12 2022

web explore our kangaroo island travel guide discover the best of kangaroo island for 2023 experience the city like a tourist or follow the locals with expert tips and info

the best kangaroo island tours and things to do in 2023 - Oct 11 2022

web travel along the ancient kangaroo island coastline with the opportunity to see dolphins seals eagles and other birdlife enjoy an exhilarating ride along the beautiful kangaroo island coastline witness the pristine waters stunning coastline and

marine animals that inhabit this thriving environment

[top kangaroo island self guided tours rentals viator](#) - Apr 05 2022

web kangaroo island self guided tours rentals check out viator s reviews and photos of kangaroo island tours

kid start up how you can become an entrepreneur - Sep 05 2023

web aug 14 2018 kid start up how you can become an entrepreneur cuban mark patel shaan mccue ian on amazon com free shipping on qualifying offers

kid start up how you can become an entrepreneur - Jun 02 2023

web aug 14 2018 kid start up how you can become an entrepreneur kindle edition by cuban mark patel shaan mccue ian download it once and read it on your kindle device pc phones or tablets use features like bookmarks note taking and highlighting while reading kid start up how you can become an entrepreneur

kid start up how you can become an entrepreneur google play - Feb 27 2023

web about this ebook arrow forward the best way to predict the future is to invent it mark cuban how to win at the sport of business discover a winning idea launch your business and start making money today

kid start up by mark cuban shaan patel ian mccue scribd - Jul 03 2023

web you don t have to be a grownup to launch your start up we ll show you how to discover a great business idea and get it off the ground you can try one of our ten kid friendly businesses including timeless ventures like starting a lemonade stand to more modern day endeavors like launching an etsy art store or create your own

kid start up how you can become an entrepreneur - Oct 06 2023

web aug 14 2018 55 ratings5 reviews a ready resource for business savvy youngsters booklist the best way to predict the future is to invent it mark cuban how to win at the sport of business discover a winning idea launch your

kid start up how you can become an entrepreneur - Aug 24 2022

web kid start up how you can become an entrepreneur paperback illustrated 14 august 2018 by mark cuban author shaan patel author ian mccue author 0 more 4 6 4 6 out of 5 stars 612 ratings

kid start up how you can become an entrepreneur - Jan 29 2023

web aug 14 2018 mark cuban shaan patel ian mccue 0 00 0 ratings0 reviews the best way to predict the future is to invent it mark cuban how to win at the sport of business discover a winning idea launch your business and start making money today

[kid start up how you can become an entrepreneur](#) - Jun 21 2022

web kid start up how you can become an entrepreneur a book by mark cuban shaan patel ian mccue isbn 978 1635764727 get the book download pdf you don t have to be an adult to start your startup we show you how to find a

kid start up on apple books - Dec 28 2022

web aug 14 2018 we ll show you how to discover a great business idea and get it off the ground you can try one of our ten kid friendly businesses including timeless ventures like starting a lemonade stand to more modern day endeavors like launching an etsy art store or create your own

kid start up how you can become an entrepreneur paperback - Oct 26 2022

web aug 14 2018 you can try one of our ten kid friendly businesses including timeless ventures like starting a lemonade stand to more modern day endeavors like launching an etsy art store or create your own because every billionaire was once a kid with great ideas just like you

50 business ideas for kid entrepreneurs signupgenius - May 21 2022

web cake pops making and selling cake pops for special events or birthday parties is a great way for children to learn baking and business skills they can start a bake sale for a nonprofit or set up a booth in your neighborhood greeting cards creating and selling cards for holidays and events is a quick and easy way to make money

kid start up how you can become an entrepreneur google - Mar 31 2023

web you don t have to be a grownup to launch your start up we ll show you how to discover a great business idea and get it off the ground you can try one of our ten kid friendly

how to become a young entrepreneur 13 tips for success - Apr 19 2022

web jun 30 2023 13 tips to help you become a young entrepreneur here are 13 tips that can help you become a successful young entrepreneur regardless of your chosen field 1 choose something you re passionate about creating a

kid start up how you can become an entrepreneur pdf - Nov 26 2022

web aug 14 2018 do you want to help people with everyday problems do you want to make money then you could be an entrepreneur you don t have to be a grownup to launch your start up we ll show you how to discover a great business idea and get it

kid start up how you can become an entrepreneur english - Mar 19 2022

web compre kid start up how you can become an entrepreneur english edition de cuban mark patel shaan mccue ian na amazon com br confira também os ebooks mais vendidos lançamentos e livros digitais exclusivos

12 adorable kid entrepreneurs we could all learn a lesson - Feb 15 2022

web nov 18 2020 many kid entrepreneurs are also social entrepreneurs these kid entrepreneurs teach us how to dig deeply to uncover our passions and think about how we can use those passions to launch a business got

kid start up how you can become an entrepreneur - Sep 24 2022

web about the author through his bold and ingenious approach to business sports and life mark cuban has become one of the world s wealthiest entrepreneurs with a knack for the inventive as well as the spotlight cuban stands as one of the most

innovative successful and talked about business minds of our generation

[kid start up how you can become an entrepreneur](#) - Aug 04 2023

web jul 13 2021 you can try one of our ten kid friendly businesses including timeless ventures like starting a lemonade stand to more modern day endeavors like launching an etsy art store or create your own because every billionaire was once a kid with great ideas just like you

[kid start up how you can become an entrepreneur google](#) - May 01 2023

web aug 14 2018 kid start up how you can become an entrepreneur mark cuban shaan patel ian mccue diversion books aug 14 2018 juvenile nonfiction 123 pages the best way to predict the future is to

kid start up how you can be an entrepreneur archive org - Jul 23 2022

web may 1 2023 kid start up how you can be an entrepreneur you don t have to be a grownup to launch your start up we ll show you how to discover a great business idea and get it off the ground expanded version of how any kid can start a business las vegas nevada matcha360 llc 2017