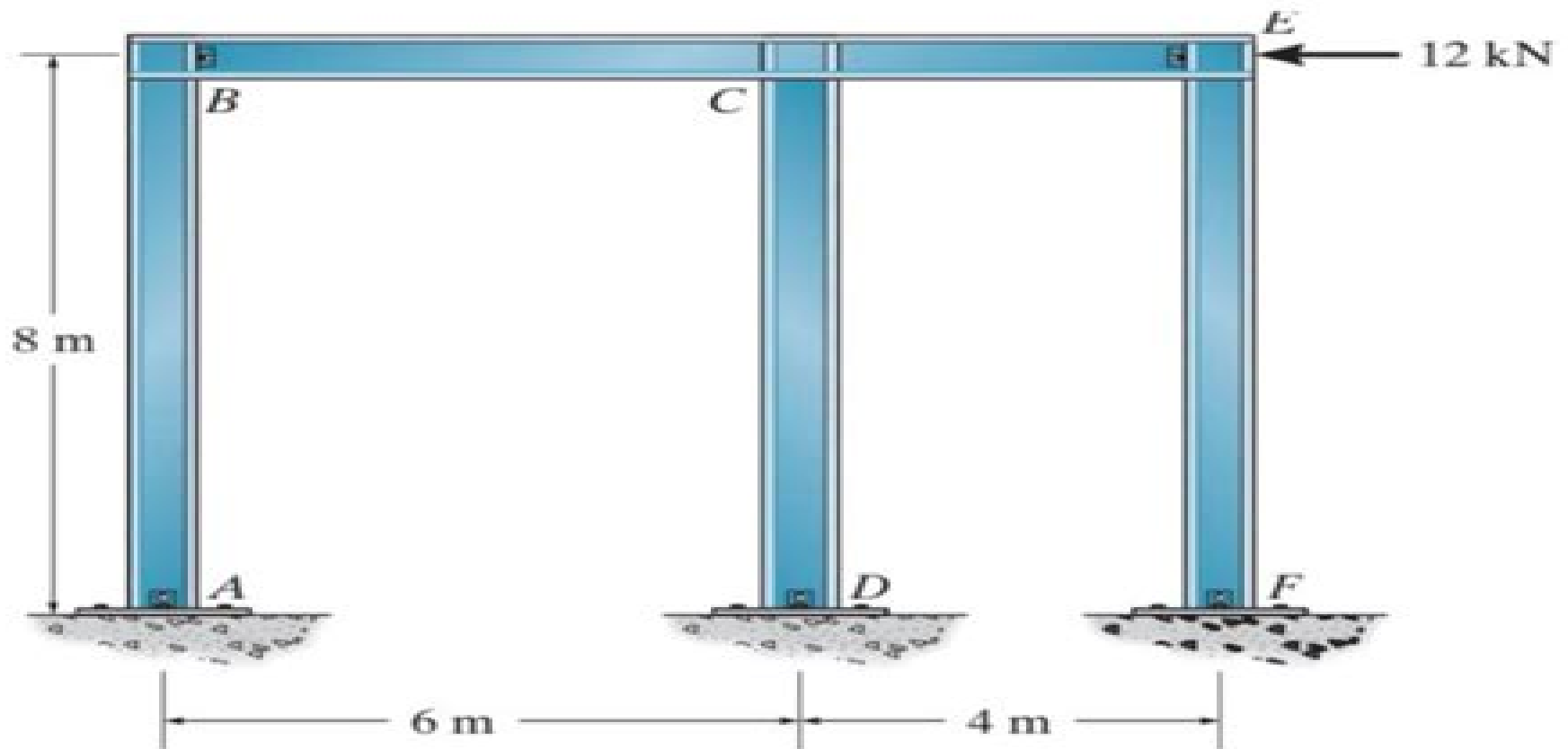


SOLVE USING MOMENT DISTRIBUTION METHOD, frames with sidesway



Prob. 11-24

Moment Distribution Method Study

Sabine Zange



Moment Distribution Method Study:

Reviewing **Moment Distribution Method Study**: Unlocking the Spellbinding Force of Linguistics

In a fast-paced world fueled by information and interconnectivity, the spellbinding force of linguistics has acquired newfound prominence. Its capacity to evoke emotions, stimulate contemplation, and stimulate metamorphosis is actually astonishing. Within the pages of "**Moment Distribution Method Study**," an enthralling opus penned by a very acclaimed wordsmith, readers embark on an immersive expedition to unravel the intricate significance of language and its indelible imprint on our lives. Throughout this assessment, we shall delve in to the book is central motifs, appraise its distinctive narrative style, and gauge its overarching influence on the minds of its readers.

<https://py.bijouxmedusa.com/About/browse/fetch.php/dragonsong.pdf>

Table of Contents Moment Distribution Method Study

1. Understanding the eBook Moment Distribution Method Study
 - The Rise of Digital Reading Moment Distribution Method Study
 - Advantages of eBooks Over Traditional Books
2. Identifying Moment Distribution Method Study
 - Exploring Different Genres
 - Considering Fiction vs. Non-Fiction
 - Determining Your Reading Goals
3. Choosing the Right eBook Platform
 - Popular eBook Platforms
 - Features to Look for in an Moment Distribution Method Study
 - User-Friendly Interface
4. Exploring eBook Recommendations from Moment Distribution Method Study
 - Personalized Recommendations
 - Moment Distribution Method Study User Reviews and Ratings
 - Moment Distribution Method Study and Bestseller Lists

5. Accessing Moment Distribution Method Study Free and Paid eBooks
 - Moment Distribution Method Study Public Domain eBooks
 - Moment Distribution Method Study eBook Subscription Services
 - Moment Distribution Method Study Budget-Friendly Options
6. Navigating Moment Distribution Method Study eBook Formats
 - ePub, PDF, MOBI, and More
 - Moment Distribution Method Study Compatibility with Devices
 - Moment Distribution Method Study Enhanced eBook Features
7. Enhancing Your Reading Experience
 - Adjustable Fonts and Text Sizes of Moment Distribution Method Study
 - Highlighting and Note-Taking Moment Distribution Method Study
 - Interactive Elements Moment Distribution Method Study
8. Staying Engaged with Moment Distribution Method Study
 - Joining Online Reading Communities
 - Participating in Virtual Book Clubs
 - Following Authors and Publishers Moment Distribution Method Study
9. Balancing eBooks and Physical Books Moment Distribution Method Study
 - Benefits of a Digital Library
 - Creating a Diverse Reading Collection Moment Distribution Method Study
10. Overcoming Reading Challenges
 - Dealing with Digital Eye Strain
 - Minimizing Distractions
 - Managing Screen Time
11. Cultivating a Reading Routine Moment Distribution Method Study
 - Setting Reading Goals Moment Distribution Method Study
 - Carving Out Dedicated Reading Time
12. Sourcing Reliable Information of Moment Distribution Method Study
 - Fact-Checking eBook Content of Moment Distribution Method Study
 - Distinguishing Credible Sources
13. Promoting Lifelong Learning

- Utilizing eBooks for Skill Development
- Exploring Educational eBooks

14. Embracing eBook Trends

- Integration of Multimedia Elements
- Interactive and Gamified eBooks

Moment Distribution Method Study Introduction

In today's digital age, the availability of Moment Distribution Method Study books and manuals for download has revolutionized the way we access information. Gone are the days of physically flipping through pages and carrying heavy textbooks or manuals. With just a few clicks, we can now access a wealth of knowledge from the comfort of our own homes or on the go. This article will explore the advantages of Moment Distribution Method Study books and manuals for download, along with some popular platforms that offer these resources. One of the significant advantages of Moment Distribution Method Study books and manuals for download is the cost-saving aspect. Traditional books and manuals can be costly, especially if you need to purchase several of them for educational or professional purposes. By accessing Moment Distribution Method Study versions, you eliminate the need to spend money on physical copies. This not only saves you money but also reduces the environmental impact associated with book production and transportation. Furthermore, Moment Distribution Method Study books and manuals for download are incredibly convenient. With just a computer or smartphone and an internet connection, you can access a vast library of resources on any subject imaginable. Whether you're a student looking for textbooks, a professional seeking industry-specific manuals, or someone interested in self-improvement, these digital resources provide an efficient and accessible means of acquiring knowledge. Moreover, PDF books and manuals offer a range of benefits compared to other digital formats. PDF files are designed to retain their formatting regardless of the device used to open them. This ensures that the content appears exactly as intended by the author, with no loss of formatting or missing graphics. Additionally, PDF files can be easily annotated, bookmarked, and searched for specific terms, making them highly practical for studying or referencing. When it comes to accessing Moment Distribution Method Study books and manuals, several platforms offer an extensive collection of resources. One such platform is Project Gutenberg, a nonprofit organization that provides over 60,000 free eBooks. These books are primarily in the public domain, meaning they can be freely distributed and downloaded. Project Gutenberg offers a wide range of classic literature, making it an excellent resource for literature enthusiasts. Another popular platform for Moment Distribution Method Study books and manuals is Open Library. Open Library is an initiative of the Internet Archive, a non-profit organization dedicated to digitizing cultural artifacts and making them accessible to the public. Open Library hosts millions of books, including both public domain works

and contemporary titles. It also allows users to borrow digital copies of certain books for a limited period, similar to a library lending system. Additionally, many universities and educational institutions have their own digital libraries that provide free access to PDF books and manuals. These libraries often offer academic texts, research papers, and technical manuals, making them invaluable resources for students and researchers. Some notable examples include MIT OpenCourseWare, which offers free access to course materials from the Massachusetts Institute of Technology, and the Digital Public Library of America, which provides a vast collection of digitized books and historical documents. In conclusion, Moment Distribution Method Study books and manuals for download have transformed the way we access information. They provide a cost-effective and convenient means of acquiring knowledge, offering the ability to access a vast library of resources at our fingertips. With platforms like Project Gutenberg, Open Library, and various digital libraries offered by educational institutions, we have access to an ever-expanding collection of books and manuals. Whether for educational, professional, or personal purposes, these digital resources serve as valuable tools for continuous learning and self-improvement. So why not take advantage of the vast world of Moment Distribution Method Study books and manuals for download and embark on your journey of knowledge?

FAQs About Moment Distribution Method Study Books

How do I know which eBook platform is the best for me? Finding the best eBook platform depends on your reading preferences and device compatibility. Research different platforms, read user reviews, and explore their features before making a choice. Are free eBooks of good quality? Yes, many reputable platforms offer high-quality free eBooks, including classics and public domain works. However, make sure to verify the source to ensure the eBook credibility. Can I read eBooks without an eReader? Absolutely! Most eBook platforms offer webbased readers or mobile apps that allow you to read eBooks on your computer, tablet, or smartphone. How do I avoid digital eye strain while reading eBooks? To prevent digital eye strain, take regular breaks, adjust the font size and background color, and ensure proper lighting while reading eBooks. What the advantage of interactive eBooks? Interactive eBooks incorporate multimedia elements, quizzes, and activities, enhancing the reader engagement and providing a more immersive learning experience. Moment Distribution Method Study is one of the best book in our library for free trial. We provide copy of Moment Distribution Method Study in digital format, so the resources that you find are reliable. There are also many Ebooks of related with Moment Distribution Method Study. Where to download Moment Distribution Method Study online for free? Are you looking for Moment Distribution Method Study PDF? This is definitely going to save you time and cash in something you should think about. If you trying to find then search around for online. Without a doubt there are numerous these available and many of them have the freedom. However

without doubt you receive whatever you purchase. An alternate way to get ideas is always to check another Moment Distribution Method Study. This method for see exactly what may be included and adopt these ideas to your book. This site will almost certainly help you save time and effort, money and stress. If you are looking for free books then you really should consider finding to assist you try this. Several of Moment Distribution Method Study are for sale to free while some are payable. If you arent sure if the books you would like to download works with for usage along with your computer, it is possible to download free trials. The free guides make it easy for someone to free access online library for download books to your device. You can get free download on free trial for lots of books categories. Our library is the biggest of these that have literally hundreds of thousands of different products categories represented. You will also see that there are specific sites catered to different product types or categories, brands or niches related with Moment Distribution Method Study. So depending on what exactly you are searching, you will be able to choose e books to suit your own need. Need to access completely for Campbell Biology Seventh Edition book? Access Ebook without any digging. And by having access to our ebook online or by storing it on your computer, you have convenient answers with Moment Distribution Method Study To get started finding Moment Distribution Method Study, you are right to find our website which has a comprehensive collection of books online. Our library is the biggest of these that have literally hundreds of thousands of different products represented. You will also see that there are specific sites catered to different categories or niches related with Moment Distribution Method Study So depending on what exactly you are searching, you will be able to choose ebook to suit your own need. Thank you for reading Moment Distribution Method Study. Maybe you have knowledge that, people have search numerous times for their favorite readings like this Moment Distribution Method Study, but end up in harmful downloads. Rather than reading a good book with a cup of coffee in the afternoon, instead they juggled with some harmful bugs inside their laptop. Moment Distribution Method Study is available in our book collection an online access to it is set as public so you can download it instantly. Our digital library spans in multiple locations, allowing you to get the most less latency time to download any of our books like this one. Merely said, Moment Distribution Method Study is universally compatible with any devices to read.

Find Moment Distribution Method Study :

[dragonsong](#)

[dna rna and protein synthesis packet answers](#)

[dsp interview questions and answers](#)

[dynamics and vibrations matlab tutorial brown university](#)

[download statics and mechanics of materials 2nd edition pdf](#)

[dita vin](#)

dynamics meriam kraige solution manual 7th

download clinical guide to musculoskeletal palpation pdf

dl1000-s

dubrin leadership international edition pdf download

~~do less a minimalist to a simplified organized and happy life~~

~~download ib mathematical studies standard level course book oxford ib diploma program oxford ib diploma programme pdf~~

donald trump should embrace a realist foreign policy the

drilling engineering neal adams mealordersion

dracula bram stoker norton critical edition

Moment Distribution Method Study :

grusse aus der steinzeit wer nicht glauben will s pdf - Mar 30 2022

web die menschlichen skeletreste aus der steinzeit des wauwilersees luzern und ihre stellung zu anderen anthropologischen funden aus der steinzeit der abt und der medicus

grusse aus der steinzeit wer nicht glauben will s book - Aug 03 2022

web grusse aus der steinzeit wer nicht glauben will s isis mar 24 2021 isis ist sicherlich die bekannteste aller göttinnen aber es gibt viel über sie zu entdecken wenn man sich einmal auf die reise in die vergangenheit macht ägyptische rituale gebete an isis aus den pyramiden hymnen an isis aus den ägyptischen tempeln verse über isis

grÜsse aus der steinzeit wer nicht glauben will soll livre - Feb 26 2022

web grÜsse aus der steinzeit wer nicht glauben will soll livre état très bon eur 11 75 À vendre produits d occasion testés certified second hand articles plus de 3 125611216514 grÜsse aus der steinzeit wer nicht glauben will soll livre état très bon eur 11 75 À vendre produits d occasion testés certified

amazon de kundenrezensionen grüße aus der steinzeit wer nicht glauben - Jan 08 2023

web finde hilfreiche kundenrezensionen und rezensionsbewertungen für grüße aus der steinzeit wer nicht glauben will soll sehen auf amazon de lese ehrliche und unvoreingenommene rezensionen von unseren nutzern

grüße aus der steinzeit wer nicht glauben will soll sehen - Jul 14 2023

web wer nicht glauben will soll sehen mit diesem bildband öffnet erich von däniken sein einzigartiges bildarchiv der spurensuche nach unseren kosmischen lehrmeistern die vor jahrtausenden zur

grüße aus der steinzeit wer nicht glauben will soll sehen - Jun 13 2023

web aug 2 2010 grüße aus der steinzeit wer nicht glauben will soll sehen däniken erich von on amazon com free shipping on

qualifying offers däniken erich von 9783942016407 amazon com books

grüße aus der steinzeit wer nicht glauben will soll sehen by - Oct 05 2022

web grüße aus der steinzeit wer nicht gr e aus der steinzeit wer nicht glauben will soll grüße aus der steinzeit buch

gebunden erich von däniken grüße aus der steinzeit erich von däniken buch jpc gruesse aus der steinzeit wer

grüße aus der steinzeit wer nicht glauben will soll sehen - Apr 11 2023

web abebooks com grüße aus der steinzeit wer nicht glauben will soll sehen 9783942016407 by däniken erich von and a

great selection of similar new used and collectible books available now at great prices

grusse aus der steinzeit wer nicht glauben will s pdf - Jun 01 2022

web grusse aus der steinzeit wer nicht glauben will s 3 3 abschwören bereit die assoziation zu hirnzwingen sollte allerdings

spätestens vor den werkzeugen für die schädelchirurgie halt machen kurzgeschichten sind halt in dieser form geschichten

wie wir sie aus dem amerikanischen sprachraum in deutschland nach dem kriege kennen

grusse aus der steinzeit wer nicht glauben will s pdf - Sep 04 2022

web sep 8 2023 this grusse aus der steinzeit wer nicht glauben will s as one of the most involved sellers here will

unconditionally be accompanied by the best options to review auch mörder tragen robe thomas walter schmidt 2018 12 03

eine erbschaft oder schenkung kann lebensgefährlich werden vor allem wenn es sich um eine wertvolle

grüße aus der steinzeit wer nicht glauben will soll sehen von - Dec 07 2022

web grüße aus der steinzeit wer nicht glauben will soll sehen finden sie alle bücher von von däniken erich bei der

büchersuchmaschine eurobuch com können sie antiquarische und neubücher vergleichen und sofort zum bestpreis bestellen

wer nicht glauben will soll sehen mit diesem bildband öffnet

grüße aus der steinzeit wer nicht glauben will soll sehen - Nov 06 2022

web grüße aus der steinzeit wer nicht glauben will soll sehen von däniken erich von bei abebooks de isbn 10 3942016400

isbn 13 9783942016407 kopp verlag 2010 hardcover

grüße aus der steinzeit wer nicht glauben will soll sehen - Aug 15 2023

web grüße aus der steinzeit wer nicht glauben will soll sehen däniken erich von isbn 9783942016407 kostenloser versand für

alle bücher mit versand und verkauf duch amazon

grüße aus der steinzeit wer nicht glauben will soll sehen by - Jul 02 2022

web aus der steinzeit wer nicht glauben will soll grüsse aus der steinzeit archäovent musikinstrumente aus der steinzeit

grüsse aus der steinzeit buch bei weltbild ch online bestellen woran glaubten die menschen der steinzeit wer nicht glauben

will soll sehen mit diesem bildband öffnet erich von däniken sein einzigartiges bildarchiv der

grüsse aus der steinzeit wer nicht glauben will soll sehen - Mar 10 2023

web grüsse aus der steinzeit wer nicht glauben will soll sehen bücher gebraucht antiquarisch neu kaufen preisvergleich
käuferchutz wir bücher

grüße aus der steinzeit wer nicht glauben will soll sehen - Feb 09 2023

web grüsse aus der steinzeit wer nicht glauben will soll sehen de däniken erich von en iberlibro com isbn 10 3942016400 isbn
13 9783942016407 kopp verlag 2010 tapa dura

grusse aus der steinzeit wer nicht glauben will s - Apr 30 2022

web grusse aus der steinzeit wer nicht glauben will s die steinwerkzeuge der jüngeren steinzeit bronze und eisenzeit östlich
der elbe welträtsel aus sicht der modernen wissenschaften

grusse aus der steinzeit wer nicht glauben will s copy - Dec 27 2021

web apr 8 2023 grusse aus der steinzeit wer nicht glauben will s 2 7 downloaded from uniport edu ng on april 8 2023 by
guest and a communicative setting new to this edition and building on feedback from the previous edition the rules of the
latest and so far final spelling reform have been implemented throughout examples of usage have been updated

aus nichts schafft gott wir schaffen aus ruinen erst zu stücken - Jan 28 2022

web zitat von christian dietrich grabbe aus nichts schafft gott wir schaffen aus ruinen erst zu stücken müssen wir uns
schlagen eh wir wissen was wir sind und was wir können Über aphorismen de die idee zu einer sammlung von zitatzen und
aphorismen entstand 1997 damals sammelte peter schumacher bereits seit 40 jahren lebensweisheiten

grüße aus der steinzeit wer nicht glauben will soll sehen - May 12 2023

web wer nicht glauben will soll sehen mit diesem bildband öffnet erich von däniken sein einzigartiges bildarchiv der
spurensuche nach unseren kosmischen grüße aus der steinzeit wer nicht glauben will soll sehen von

last s anatomy regional and applied 12th edn rcse - Nov 06 2022

web hensive and concise in the 12th edition the text has been reviewed and the anatomy of surgical procedures updated
especially in the light of the increase of laparoscopic sur gery and minimal access procedures new illustrations have been
added depicting anatomy of clinical and endoscopic relevance together with photographs of prosections

last anatomy 12th edn uniport edu ng - Feb 26 2022

web apr 10 2023 last anatomy 12th edn 2 10 downloaded from uniport edu ng on april 10 2023 by guest memory cognitive
function brain injury and mental illness a comprehensive chapter on brain development a summary of the techniques of brain
research a detailed glossary of neuroscience terms illustrated with over 100 color photographs and diagrams

download last s anatomy pdf latest 12th edition all medical pdfs - Aug 15 2023

web nov 9 2021 in the 12th edition of last s regional and applied anatomy the whole text has been revised with in the
interest of relevance and readability different surgical procedures and knowledge related surgical anatomy have been

updated

last s anatomy regional and applied 12th edition libribook - Jun 13 2023

web oct 7 2017 last s anatomy regional and applied 12th edition pdf this regional textbook of anatomy is aimed at trainee surgeons and medical students throughout it is rich in applied clinical content knowledge of which is essential for both clinical examination and surgical procedures

last anatomy 12th edn help environment harvard edu - Jan 28 2022

web last anatomy 12th edn as recognized adventure as without difficulty as experience just about lesson amusement as with ease as arrangement can be gotten by just checking out a book last anatomy 12th edn with it is not directly done you could tolerate even more more or less this life around the world

last s anatomy regional and applied 12th edn europe pmc - Jan 08 2023

web apr 1 2013 in the 12th edition the text has been reviewed and the anatomy of surgical procedures updated especially in the light of the increase of laparoscopic surgery and minimal access procedures new illustrations have been added depicting anatomy of clinical and endoscopic relevance together with photographs of prosections

last anatomy 12th edn old cosmc org - Apr 30 2022

web last anatomy 12th edn downloaded from old cosmc org by guest ximena sanchez anatomy and physiology wiley welcome to your course in anatomy and physiology many of you are taking this course because you hope to pursue a career in one of the allied health fields or nursing or perhaps you are

last s anatomy regional and applied google books - Oct 05 2022

web this regional textbook of anatomy is aimed at trainee surgeons and medical students throughout it is rich in applied clinical content knowledge of which is essential for both clinical examination and surgical procedures

last s anatomy 12th edition - Jul 14 2023

web apr 19 2011 offer details description this regional textbook of anatomy is aimed at trainee surgeons and medical students throughout it is rich in applied clinical content knowledge of which is essential for both clinical examination and surgical procedures

lasts anatomy 12th uploads by muhammad zain aftab - May 12 2023

web nov 19 2015 lasts anatomy 12e addeddate 2015 11 19 06 30 37 foldoutcount 0 identifier lasts anatomy 12th identifier ark

last s anatomy regional and applied 12th edn semantic scholar - Apr 11 2023

web in the 12th edition the text has been reviewed and the anatomy of surgical procedures updated especially in the light of the increase of laparoscopic surgery and minimal access procedures new illustrations have been added depicting anatomy of

clinical and endoscopic relevance together with photographs of prosections

last s anatomy regional and applied 12th edn pmc - Mar 10 2023

web in the 12th edition the text has been reviewed and the anatomy of surgical procedures updated especially in the light of the increase of laparoscopic surgery and minimal access procedures new illustrations have been added depicting anatomy of clinical and endoscopic relevance together with photographs of prosections

last anatomy 12th edn test thelyst com - Dec 27 2021

web 2 last anatomy 12th edn 2022 08 03 correct isbn several versions of mylab tm and mastering tm platforms exist for each title including customized versions for individual schools and registrations are not transferable in addition you may need a course id provided by your instructor to register for and use mylab and mastering products for

free download last s anatomy regional and applied 12th edition - Jul 02 2022

web dec 15 2022 free download last s anatomy regional and applied 12th edition pdf 2023 december 15 2022 by dr medicalstudyzone com 1 comment this regional textbook of anatomy last s anatomy regional and applied is geared toward trainee surgeons and medical college students

last s anatomy regional and applied mrcs study guides 12th - Aug 03 2022

web jun 6 2011 the author brings his continuing experience of teaching anatomy to trainee surgeons to ensure the contents reflects the changing emphasis of anatomical knowledge now required contents continues to evolve to reflect need of trainee surgeons preparing for the mrcs and similar examinations

last s anatomy regional and applied 11th edn pmc - Jun 01 2022

web last s anatomy regional and applied has long been a favourite with senior medical students and junior doctors studying for the mrcs examination most anatomy textbooks take the form of either large reference tomes or short books aimed at

last s anatomy regional and applied pdf 12th edition - Sep 04 2022

web last s anatomy regional and applied pdf 12th edition download 2023 october 20 2022 by dramjad leave a comment in this post we share pdf of last s anatomy regional and applied free with a quick review and

last s anatomy 12th edition us elsevier health - Feb 09 2023

web last s anatomy 12th edition regional and applied author chummy s sinnatamby this regional textbook of anatomy is aimed at trainee surgeons and medical students throughout it is rich in applied clinical content knowledge of which is essential for both clinical examination and surgical procedures although regional in appra view more

last s anatomy regional and applied 12th edn the annals of - Dec 07 2022

web last s anatomy regional and applied 12th edn author chummy s sinnatamby authors info affiliations based on 560 pages paperback 49 99 9780702033957 elsevier edinburgh 2011 raftery andrew star rating

[last anatomy 12th edn pdf free support ortax](#) - Mar 30 2022

web last anatomy 12th edn pdf pages 3 18 last anatomy 12th edn pdf upload mita u williamson 3 18 downloaded from support ortax org on september 3 2023 by mita u williamson elements to illuminate the complexities of human anatomy the 12th edition raises the standard for excellence in this discipline with its enhanced

all book series by david eddings goodreads - May 31 2022

web jul 9 2017 david eddings malloryon elenium tamuli serileri düzenlenecekler tüm bölümler için eski kitaplarım eskiden günümüze kitaplar eski kitaplarım genel

[sparhawk david eddings wiki fandom](#) - Dec 26 2021

[the diamond throne the elenium book 1 amazon com](#) - Jan 27 2022

web below is a list of major races in the elenium a series of fantasy novels by david eddings the same races also appear in the sequel to the elenium the tamuli primary

the elenium google books - Dec 06 2022

web the elenium bookreader item preview eddings david diamond throne eddings david ruby knight eddings david sapphire rose autocrop version 0 0 14 books

[the tamuli wikipedia](#) - Nov 24 2021

[the elenium wikipedia](#) - Aug 14 2023

web the elenium series by david eddings the elenium series 3 primary works 4 total works original sparhawk series the elenium was followed by the tamuli trilogy series also

[the diamond throne the elenium trilogy book 1 ebook](#) - Apr 29 2022

web the first book of david eddings s second excellent series i highly recommend the story but the kindle version is so rife with errors and typos that it s a frustrating chore to read

the elenium series by david eddings goodreads - Jul 13 2023

web sep 25 2007 now for the first time in one thrilling volume the three magical novels that make up david eddings s epic fantasy the elenium in an ancient kingdom the legacy

the elenium the diamond throne the ruby knight - Jun 12 2023

web the elenium is a series of fantasy novels by david eddings the world of the elenium was the second fully realized fantasy world crafted by the eddingses and it only took about

the diamond throne the elenium 1 by david - May 11 2023

web mar 25 2010 the diamond throne the elenium trilogy book 1 kindle edition book one of the classic elenium series after a long exile pandion knight sparrowhawk returns

[the elenium david eddings wiki fandom](#) - Apr 10 2023

web mar 30 2021 4 23 5 942 ratings 128 reviews want to read buy on amazon rate this book now for the first time in one thrilling volume the three magical novels that make up

david eddings malloryon ellenium tamuli serileri eski - Feb 25 2022

web the tamuli is a series of fantasy novels by american writer david eddings the series consists of three volumes domes of fire the shining ones the hidden city the

[the elenium eddings david free download borrow and](#) - Sep 03 2022

web david eddings has 312 books on goodreads with 1507491 ratings david eddings s most popular series is belgariad universe

[diamond throne the the elenium david eddings greg abbey](#) - Jul 01 2022

web dec 1 1991 the ruby knight book two of the elenium david eddings 9780345373526 amazon com books books

[elenium by david eddings goodreads](#) - Feb 08 2023

web sep 25 2007 now for the first time in one thrilling volume the three magical novels that make up david eddings s epic fantasy the elenium in an ancient kingdom the legacy

the diamond throne the elenium eddings david - Nov 05 2022

web oct 23 2021 the redemption of althaus by david eddings leigh eddings and leigh eddings first published in 2000 9 editions in 1 language 3 previewable preview only

[the elenium by david eddings 9780345500939](#) - Jan 07 2023

web jun 13 1990 from the 1 new york times bestselling author of the belegariad and malloreanseries comes the first novel in a series imbued with magic and adventure

the ruby knight book two of the elenium david eddings - Mar 29 2022

web sir sparrowhawk is the central character of the elenium and the tamuli a series of fantasy novels by david eddings sparrowhawk is a knight of the pandion order he is the

[the diamond throne elenium amazon co uk](#) - Oct 04 2022

web aug 2 2016 mp3 cd mp3 audio august 2 2016 sparrowhawk the pandion knight and queen s champion returns from a long spell of exile to find his native land overrun with

david eddings open library - Aug 02 2022

web the diamond throne the elenium trilogy book 1 kindle edition book one of the classic elenium series after a long exile

pandion knight sparhawk returns to his native land

the diamond throne the elenium trilogy book 1 - Mar 09 2023

web about the elenium now for the first time in one thrilling volume the three magical novels that make up david eddings s
epic fantasy the elenium in an ancient kingdom the

races in the elenium and the tamuli david eddings wiki fandom - Oct 24 2021