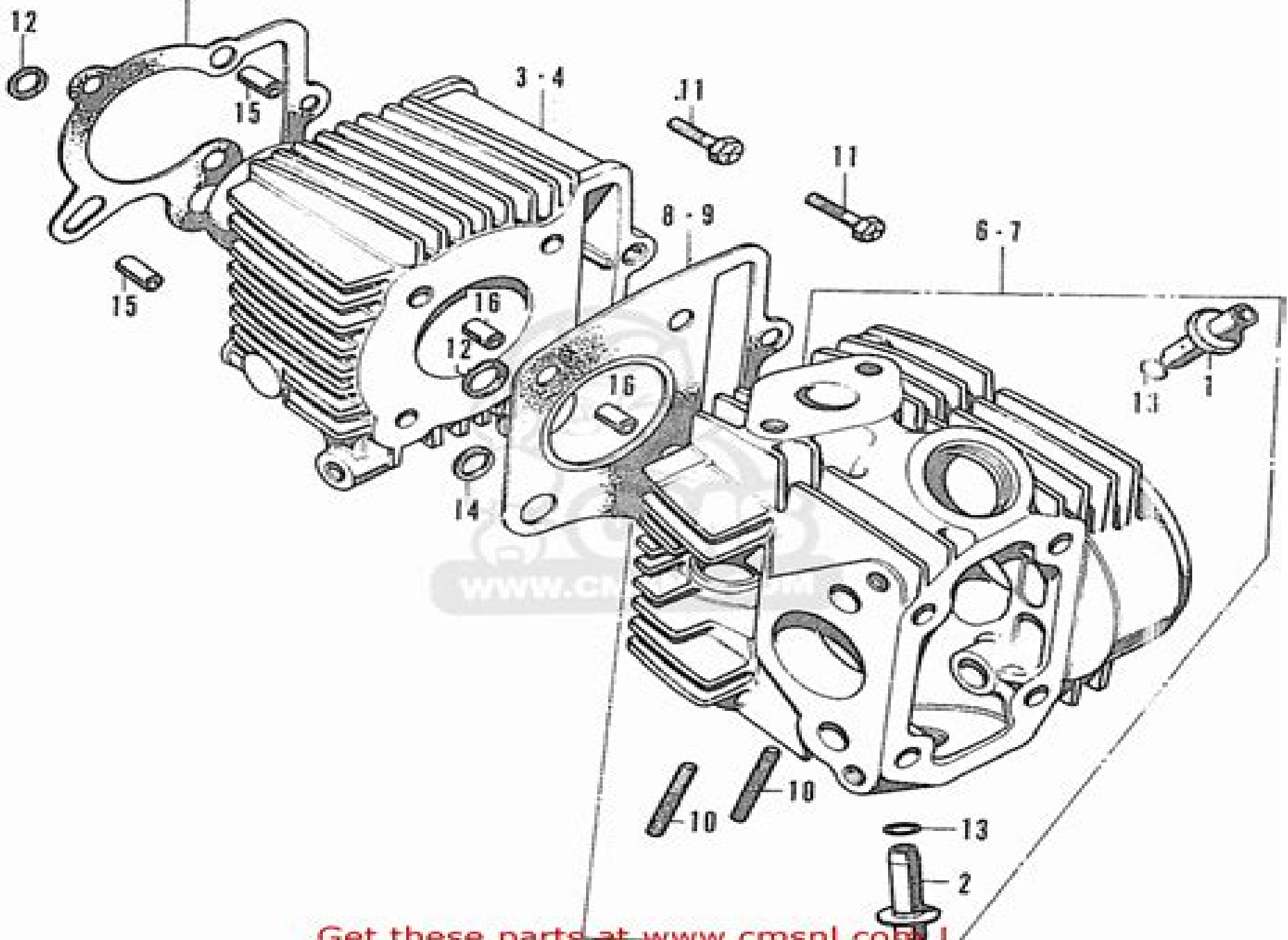


CYLINDER - CYLINDER HEAD



Get these parts at www.cmsol.com !

Xrm 110 Engine Manual

VM Jensen



Xrm 110 Engine Manual:

Yamaha Multi Purpose Engine MT110S/SR/VLS ,1985* **Motorcycle Basics Manual** Pete Shoemark,1985

Included in this manual Basic and improved two and four stroke engine types engine designs and layouts fuel and exhaust systems ignition systems transmission lubrication and cooling wheels tyres and brakes front suspension and steering frames rear suspension and electrical systems Honda Shop Manual Hondo Giken Kōgyō Kabushiki Kaisha,1980 Honda VT1100 Shadow V-twins Owners Workshop Manual Mike Stubblefield,John Harold Haynes,1999 Whether the reader has simple maintenance or a complete engine rebuild in mind he or she can rest assured that there s a Haynes manual for just above every popular domestic and import car truck and motorcycle By conducting complete tear downs and rebuilds the staff at Haynes Publishing has discovered all the problems owners will find when repairing or rebuilding their vehicles By documenting each process with hundreds of illustrations and step by step instructions that show the exact order of assembly Haynes manuals make every step easy to follow Honda ATC 70, 90, 110, 185 and 200 Owners Workshop Manual, No. M565 John Haynes,1988-03-31 Haynes disassembles every subject vehicle and documents every step with thorough instructions and clear photos Haynes repair manuals are used by the pros but written for the do it yourselfer *The Oil Engine Manual* P.P. - London. - Oil Engine,1950

Embark on a breathtaking journey through nature and adventure with is mesmerizing ebook, Witness the Wonders in **Xrm 110 Engine Manual** . This immersive experience, available for download in a PDF format (PDF Size: *), transports you to the heart of natural marvels and thrilling escapades. Download now and let the adventure begin!

https://py.bijouxmedusa.com/About/scholarship/Download_PDFS/computer_vision_eccv_2014_workshops_zurich_switzerland_september_6_7_and_12_2014_proceedings_part_iv_lecture_notes_in_computer_science.pdf

Table of Contents Xrm 110 Engine Manual

1. Understanding the eBook Xrm 110 Engine Manual
 - The Rise of Digital Reading Xrm 110 Engine Manual
 - Advantages of eBooks Over Traditional Books
2. Identifying Xrm 110 Engine Manual
 - Exploring Different Genres
 - Considering Fiction vs. Non-Fiction
 - Determining Your Reading Goals
3. Choosing the Right eBook Platform
 - Popular eBook Platforms
 - Features to Look for in an Xrm 110 Engine Manual
 - User-Friendly Interface
4. Exploring eBook Recommendations from Xrm 110 Engine Manual
 - Personalized Recommendations
 - Xrm 110 Engine Manual User Reviews and Ratings
 - Xrm 110 Engine Manual and Bestseller Lists
5. Accessing Xrm 110 Engine Manual Free and Paid eBooks
 - Xrm 110 Engine Manual Public Domain eBooks
 - Xrm 110 Engine Manual eBook Subscription Services
 - Xrm 110 Engine Manual Budget-Friendly Options

6. Navigating Xrm 110 Engine Manual eBook Formats
 - ePub, PDF, MOBI, and More
 - Xrm 110 Engine Manual Compatibility with Devices
 - Xrm 110 Engine Manual Enhanced eBook Features
7. Enhancing Your Reading Experience
 - Adjustable Fonts and Text Sizes of Xrm 110 Engine Manual
 - Highlighting and Note-Taking Xrm 110 Engine Manual
 - Interactive Elements Xrm 110 Engine Manual
8. Staying Engaged with Xrm 110 Engine Manual
 - Joining Online Reading Communities
 - Participating in Virtual Book Clubs
 - Following Authors and Publishers Xrm 110 Engine Manual
9. Balancing eBooks and Physical Books Xrm 110 Engine Manual
 - Benefits of a Digital Library
 - Creating a Diverse Reading Collection Xrm 110 Engine Manual
10. Overcoming Reading Challenges
 - Dealing with Digital Eye Strain
 - Minimizing Distractions
 - Managing Screen Time
11. Cultivating a Reading Routine Xrm 110 Engine Manual
 - Setting Reading Goals Xrm 110 Engine Manual
 - Carving Out Dedicated Reading Time
12. Sourcing Reliable Information of Xrm 110 Engine Manual
 - Fact-Checking eBook Content of Xrm 110 Engine Manual
 - Distinguishing Credible Sources
13. Promoting Lifelong Learning
 - Utilizing eBooks for Skill Development
 - Exploring Educational eBooks
14. Embracing eBook Trends
 - Integration of Multimedia Elements

- Interactive and Gamified eBooks

Xrm 110 Engine Manual Introduction

Free PDF Books and Manuals for Download: Unlocking Knowledge at Your Fingertips In today's fast-paced digital age, obtaining valuable knowledge has become easier than ever. Thanks to the internet, a vast array of books and manuals are now available for free download in PDF format. Whether you are a student, professional, or simply an avid reader, this treasure trove of downloadable resources offers a wealth of information, conveniently accessible anytime, anywhere. The advent of online libraries and platforms dedicated to sharing knowledge has revolutionized the way we consume information. No longer confined to physical libraries or bookstores, readers can now access an extensive collection of digital books and manuals with just a few clicks. These resources, available in PDF, Microsoft Word, and PowerPoint formats, cater to a wide range of interests, including literature, technology, science, history, and much more. One notable platform where you can explore and download free Xrm 110 Engine Manual PDF books and manuals is the internet's largest free library. Hosted online, this catalog compiles a vast assortment of documents, making it a veritable goldmine of knowledge. With its easy-to-use website interface and customizable PDF generator, this platform offers a user-friendly experience, allowing individuals to effortlessly navigate and access the information they seek. The availability of free PDF books and manuals on this platform demonstrates its commitment to democratizing education and empowering individuals with the tools needed to succeed in their chosen fields. It allows anyone, regardless of their background or financial limitations, to expand their horizons and gain insights from experts in various disciplines. One of the most significant advantages of downloading PDF books and manuals lies in their portability. Unlike physical copies, digital books can be stored and carried on a single device, such as a tablet or smartphone, saving valuable space and weight. This convenience makes it possible for readers to have their entire library at their fingertips, whether they are commuting, traveling, or simply enjoying a lazy afternoon at home. Additionally, digital files are easily searchable, enabling readers to locate specific information within seconds. With a few keystrokes, users can search for keywords, topics, or phrases, making research and finding relevant information a breeze. This efficiency saves time and effort, streamlining the learning process and allowing individuals to focus on extracting the information they need. Furthermore, the availability of free PDF books and manuals fosters a culture of continuous learning. By removing financial barriers, more people can access educational resources and pursue lifelong learning, contributing to personal growth and professional development. This democratization of knowledge promotes intellectual curiosity and empowers individuals to become lifelong learners, promoting progress and innovation in various fields. It is worth noting that while accessing free Xrm 110 Engine Manual PDF books and manuals is convenient and cost-effective, it is vital to respect copyright laws and intellectual property rights. Platforms offering free downloads often operate within legal boundaries,

ensuring that the materials they provide are either in the public domain or authorized for distribution. By adhering to copyright laws, users can enjoy the benefits of free access to knowledge while supporting the authors and publishers who make these resources available. In conclusion, the availability of Xrm 110 Engine Manual free PDF books and manuals for download has revolutionized the way we access and consume knowledge. With just a few clicks, individuals can explore a vast collection of resources across different disciplines, all free of charge. This accessibility empowers individuals to become lifelong learners, contributing to personal growth, professional development, and the advancement of society as a whole. So why not unlock a world of knowledge today? Start exploring the vast sea of free PDF books and manuals waiting to be discovered right at your fingertips.

FAQs About Xrm 110 Engine Manual Books

How do I know which eBook platform is the best for me? Finding the best eBook platform depends on your reading preferences and device compatibility. Research different platforms, read user reviews, and explore their features before making a choice. Are free eBooks of good quality? Yes, many reputable platforms offer high-quality free eBooks, including classics and public domain works. However, make sure to verify the source to ensure the eBook credibility. Can I read eBooks without an eReader? Absolutely! Most eBook platforms offer webbased readers or mobile apps that allow you to read eBooks on your computer, tablet, or smartphone. How do I avoid digital eye strain while reading eBooks? To prevent digital eye strain, take regular breaks, adjust the font size and background color, and ensure proper lighting while reading eBooks. What the advantage of interactive eBooks? Interactive eBooks incorporate multimedia elements, quizzes, and activities, enhancing the reader engagement and providing a more immersive learning experience. Xrm 110 Engine Manual is one of the best book in our library for free trial. We provide copy of Xrm 110 Engine Manual in digital format, so the resources that you find are reliable. There are also many Ebooks of related with Xrm 110 Engine Manual. Where to download Xrm 110 Engine Manual online for free? Are you looking for Xrm 110 Engine Manual PDF? This is definitely going to save you time and cash in something you should think about. If you trying to find then search around for online. Without a doubt there are numerous these available and many of them have the freedom. However without doubt you receive whatever you purchase. An alternate way to get ideas is always to check another Xrm 110 Engine Manual. This method for see exactly what may be included and adopt these ideas to your book. This site will almost certainly help you save time and effort, money and stress. If you are looking for free books then you really should consider finding to assist you try this. Several of Xrm 110 Engine Manual are for sale to free while some are payable. If you arent sure if the books you would like to download works with for usage along with your computer, it is possible to download free trials. The free guides make it easy for someone to free

access online library for download books to your device. You can get free download on free trial for lots of books categories. Our library is the biggest of these that have literally hundreds of thousands of different products categories represented. You will also see that there are specific sites catered to different product types or categories, brands or niches related with Xrm 110 Engine Manual. So depending on what exactly you are searching, you will be able to choose e books to suit your own need. Need to access completely for Campbell Biology Seventh Edition book? Access Ebook without any digging. And by having access to our ebook online or by storing it on your computer, you have convenient answers with Xrm 110 Engine Manual To get started finding Xrm 110 Engine Manual, you are right to find our website which has a comprehensive collection of books online. Our library is the biggest of these that have literally hundreds of thousands of different products represented. You will also see that there are specific sites catered to different categories or niches related with Xrm 110 Engine Manual So depending on what exactly you are searching, you will be able to choose ebook to suit your own need. Thank you for reading Xrm 110 Engine Manual. Maybe you have knowledge that, people have search numerous times for their favorite readings like this Xrm 110 Engine Manual, but end up in harmful downloads. Rather than reading a good book with a cup of coffee in the afternoon, instead they juggled with some harmful bugs inside their laptop. Xrm 110 Engine Manual is available in our book collection an online access to it is set as public so you can download it instantly. Our digital library spans in multiple locations, allowing you to get the most less latency time to download any of our books like this one. Merely said, Xrm 110 Engine Manual is universally compatible with any devices to read.

Find Xrm 110 Engine Manual :

computer vision eccv 2014 workshops zurich switzerland september 6 7 and 12 2014 proceedings part iv lecture notes in computer science

comedic female monologues from published plays putlocker

competing visions aesthetic invention and social imagination in central european architecture 1867 1918 hardcover

~~computer graphics solution g g u~~

~~complete to high end audio~~

consumers dictionary of cosmetic ingredients

comparative study of online tools in preparation for

concepts for today 4 edition answer key

complex exponential solutions of linear elasticity equations

construction and detailing for interior design drew plunkett pdf

~~communication skills for conservation professionals~~

[consumer mathematics workbook answer key](#)

[computer quiz questions and answers for school students](#)

composite materials notes pdf in anna university

[computed tomography physical principles clinical applications and quality control 3e contemporary imaging techniques](#)

Xrm 110 Engine Manual :

imperius curse harry potter wiki fandom - Oct 04 2023

web the imperius curse imperio was a tool of the dark arts and was one of the three unforgivable curses when cast successfully the curse placed the victim completely under the caster s control making the victim unquestionably obedient to the caster a person under the curse was said to be

jogo imperio das lojas da galaxy poki lpga - Mar 29 2023

web nov 3 2023 jogo de bingo atacado dos presentes jogo imperio das lojas da galaxy pokijogo multiplayer poker pc quantos numeros tem um jogo de bingobetfair normalclick jogos casino a partir de segunda feira

100 años de la creación de turquía cómo cayó el imperio *bbc* - Jan 27 2023

web oct 29 2023 tras percatarse de la debilidad de su imperio y el vecino bizancio osmán decidió fundar en 1299 su emirato en anatolia el territorio que ahora se conoce como turquía

hogwarts legacy imperio quest to get learn it gamewith - May 31 2023

web mar 15 2023 tweet share imperio is a spell in hogwarts legacy harry potter this guide includes how to learn imperio how to unlock what is imperio effects use unforgivable curse and more unforgivable curses avada kedavra in the shadow of relic crucio in the shadow of the study

imperio mall residences and cabana villas hatten  - Sep 03 2023

web imperio residences luxurious and modern design is sure to appeal to discerning travelers who are looking for a comfortable and stylish place to stay the units are designed with high end finishes modern appliances and stunning views of the city and the straits of melaka

el invencible rey visigodo que unificó hispania y soñó con recrear - Feb 25 2023

web 1 day ago el invencible rey visigodo que unificó hispania y soñó con recrear el imperio romano en toledo en directo investidura de pedro sánchez siga las últimas noticias leovigildo retratado por

[império wikipedia](#) - Apr 29 2023

web império portuguese pronunciation ɪˈpɛrju english empire is a brazilian primetime telenovela produced and broadcast by tv globo it premiered on 21 july 2014 replacing em família and ended on 13 march 2015 replaced by babilônia it was created

by aguinaldo silva and starred alexandre nero lília cabral leandra leal caio blat andreia horta

imperio wikipedia la enciclopedia libre - Jul 01 2023

web es importante distinguir entre los imperios terrestres formados únicamente por territorios contiguos como el imperio austrohúngaro o el imperio mongol y los creados por el poder marítimo que incluyen territorios muy alejados del país de origen del imperio como el imperio cartaginés y el imperio colonial británico 1

imperio residences melaka malacca booking com - Aug 02 2023

web located in malacca 0 7 miles from st john s fort and 1 1 miles from porta de santiago imperio residences melaka malacca has accommodations with free wifi air conditioning a rooftop pool and a garden

el rey carlos iii expresa su dolor por la injustificada violencia del - Dec 26 2022

web nov 1 2023 el imperio británico ha sido el mas depredador y destructivo de la historia de la humanidad y el mundo anglosajón el que mas daño ha hecho al mundo hispano

pdf resounding transcendence transitions in music religion - Sep 22 2023

web resounding transcendence is a pathbreaking set of ethnographic and historical essays by leading scholars exploring the ways sacred music effects cultural political and religious transitions in the contemporary world

73 resounding transcendence tracks album by yoga sounds - Aug 09 2022

web listen to 73 resounding transcendence tracks on spotify yoga sounds album 2021 73 songs yoga sounds album 2021 73 songs

copyright page resounding transcendence transitions in music - Mar 04 2022

web resounding transcendence transitions in music religion and ritual edited by jeffers engelhardt and philip v bohlman pages cm includes bibliographical references and index

resounding transcendence transitions in music reli copy - Jan 14 2023

web resounding transcendence transitions in music reli concord has a new ceo as bob valentine succeeds scott pascucci music business worldwide jul 03 2015 concord has a new ceo as bob valentine succeeds scott pascucci music business worldwide incredibly complex punk rock songs 3 more examples of genre s ultimate guitar

resounding transcendence transitions in music reli pdf - Jan 02 2022

web apr 10 2023 resounding transcendence transitions in music reli 2 16 downloaded from uniport edu ng on april 10 2023 by guest indonesia it shows how religious expression can be made relevant in an indigenous context and how grassroots christianity is being realized by means of music through the discussion of indigenous

dedication resounding transcendence transitions in music - Feb 03 2022

web dedication in jeffers engelhardt and philip bohlman eds resounding transcendence transitions in music religion and

ritual new york 2016 online edn oxford academic 21 apr 2016 doi org 10 1093 acprof oso 9780199737642 002 0003 accessed 11

[index resounding transcendence transitions in music](#) - Mar 16 2023

web resounding transcendence transitions in music religion and ritual new york 2016 online edn oxford academic 21 apr 2016 doi org accessed 9 nov 2022

resounding transcendence transitions in music reli copy - Oct 11 2022

web 2 resounding transcendence transitions in music reli 2022 10 01 through this act holiness becomes manifest at the intersection of biblical chant sacred text the individual and the community

resounding transcendence transitions in music religion and - Jun 19 2023

web resounding transcendence is a pathbreaking volume exploring how sacred music effects religious and social transitions it covers christian muslim jewish and buddhist practices in asia north america africa and europe

resounding transcendence transitions in music reli book - Nov 12 2022

web resounding transcendence transitions in music reli easy songs for smooth transitions in the classroom apr 03 2023 sing your way through difficult times of the day and watch your job get easier young children in school go through many transitions throughout the day what can make ten children settle down clean up and

resoundingtranscendencetransitionsinmusicreli ftp galaxy - Jun 07 2022

web musical solidarities the cambridge companion to music and romanticism sense and sadness theology music and time music as atmosphere the bloomsbury handbook of the anthropology of sound diaspora of the gods studying congregational music the oxford handbook of music and world christianities arvo pärt world music a very

[resounding transcendence transitions in music religion and](#) - May 18 2023

web resounding transcendence transitions in music religion and ritual ebook written by jeffers engelhardt philip bohlman read this book using google play books app on your pc android ios devices download for offline reading highlight bookmark or take notes while you read resounding transcendence transitions in music religion and ritual

[acknowledgments resounding transcendence transitions in music](#) - Apr 17 2023

web acknowledgments in jeffers engelhardt and philip bohlman eds resounding transcendence transitions in music religion and ritual new york 2016 online edn oxford academic 21 apr 2016 doi org accessed 1 apr 2023

resounding transcendence transitions in music religion and - Oct 23 2023

web apr 1 2016 the chapters in resounding transcendence are unified by a common concern for the ways sacred music effects cultural political and religious transitions in the contemporary world together the contributors describe the ways musical transition sounds belief and action together in forms of transcendence immanent in religious

resounding transcendence transitions in music religion and - Dec 13 2022

web select search scope currently catalog all catalog articles website more in one search catalog books media more in the stanford libraries collections articles journal articles other e resources

[music and transcendence psychology today](#) - May 06 2022

web nov 3 2014 yet there are any number of so called bands around musical groups which regularly perform to packed houses of youthful patrons a fact that obviously brings one to question the

[resounding transcendence transitions in music religion and](#) - Aug 21 2023

web resounding transcendence is a pathbreaking set of ethnographic and historical essays by leading scholars exploring the ways sacred music effects cultural political and religious

resounding transcendence transitions in music reli - Jul 08 2022

web the book also examines the spiritual aspect of pärt s music and contextualizes him in the cultural milieu of the twenty first century and in the marketplace encounters in ethnomusicology michael figueroa 2022 09 29

[resounding transcendence an introduction oxford academic](#) - Feb 15 2023

web for music cultures throughout the world transcendence unfolds as transition in the sounding of eschatological allegories and the soteriological return that follows life sacred music both re sounds and resounds with transcendence

resounding transcendence transitions in music religion and - Jul 20 2023

web resounding transcendence is a pathbreaking set of ethnographic and historical essays by leading scholars exploring the ways sacred music effects cultural political and religious transitions in the contemporary world

resounding transcendence transitions in music reli download - Apr 05 2022

web competently as perspicacity of this resounding transcendence transitions in music reli can be taken as without difficulty as picked to act resounding transcendence transitions in music reli downloaded from ignition4 customsforge com by guest broderick gordon world music a very short introduction university of illinois press

resounding transcendence transitions in music reli ncf ec2 - Sep 10 2022

web resounding transcendence transitions in music reli 1 resounding transcendence transitions in music reli the cambridge companion to music and romanticism music education and religion performing faith performing commemoration the rest is noise arvo pärt the cambridge companion to arvo pärt making congregational music local

[xtremepapers](#) - May 01 2022

web revise for your a levels gcse s from latest past papers revision notes marking schemes get answers to your questions on revision exams or student life

xtremepapers o level past papers english 2013 learno com - Feb 27 2022

web oct 20 2022 guides you could enjoy now is xtremepapers o level past papers english 2013 below complete physics for cambridge igcse stephen pople 2015 09 03 fully updated and matched to the cambridge syllabus this stretching student book is trusted by teachers around the world to support advanced understanding and achievement at igcse

o level english language past papers cie notes - Nov 07 2022

web complete o level english language past papers the cambridge o level english language syllabus enables learners to communicate accurately appropriately and effectively and to understand and respond appropriately and imaginatively to what they read and experience 1123 o level 2013 english language 1123 o level 2014

papers xtremepapers - May 13 2023

web download past papers marking schemes specimen papers examiner reports syllabus and other exam materials for caie edexcel ib ielts sat toefl and much more

bookmark file xtremepapers o level past papers english 2013 - Dec 28 2021

web may 14 2023 bookmark file xtremepapers o level past papers english 2013 free download pdf gce o level examination past papers with answer guides chemistry india edition gce o level examination past papers with answer guides maths india edition gce o level examination past papers with answer guides physics india edition gce

o level english paper 2013 11 pdf files past papers archive - Oct 06 2022

web here are 11 results for o level english paper 2013 1 o level english paper 2013 pdf o level english paper 2013 oiters de browse and read o level english paper 2013 o level english paper 2013 one day you will discover a new adventure and knowledge by spending more money 2 english november 2013 papers o level pdf

papers xtremepapers - Aug 16 2023

web papers xtremepapers

o level topical past papers xtremepapers - Jun 02 2022

web dec 9 2021 for almost 10 years the site xtremepapers has been trying very hard to serve its users however we are now struggling to cover its operational costs due to unforeseen circumstances if we helped you in any way kindly contribute and be

papers xtremepapers - Aug 04 2022

web 9695 literature in english learner guide 2015 v2 pdf 344 4 kb 9695 literature in english paper 3 ecr v1 final pdf 18 7 mb 9695 literature in english paper 4 ecr v1 pdf 13 2 mb 9695 literature in english paper 5 ecr v1 pdf 16 6 mb

past papers o levels english 1123 2021 gce guide - Mar 31 2022

web aug 13 2023 past papers of o levels english 1123 2021 cambridge o levels cambridge igcse cambridge int l as a levels caie october november 2023 session starts 24 days 09 hours

o level english past papers teachifyme - Jan 09 2023

web get latest cambridge o level english past papers marking schemes specimen papers examiner reports and grade thresholds our o level english past papers section is uploaded with the latest o level english may june 20 20 past paper you can download the past papers of both may june and october november sessions and of different

past papers o levels gce guide - Dec 08 2022

web aug 13 2023 past papers of o levels cambridge o levels cambridge igcse cambridge int l as a levels caie october november 2023 session starts 28 days 16 hours

downloadable free pdfs xtremepapers o level past papers english 2013 - Jan 29 2022

web xtremepapers o level past papers english 2013 chemistry feb 09 2021 cambridge igcse o level mathematics 0580 fully solved past papers extended paper 4 aug 30 2022 cambridge igcse o level mathematics 0580 fully solved past papers extended paper 4 very useful to o level students of any

past papers o levels english 1123 gce guide - Apr 12 2023

web aug 13 2023 past papers o levels english 1123 gce guide past papers of o levels english 1123 cambridge o levels cambridge igcse cambridge int l as a levels caie october november 2023 session starts 25 days 05 hours 47 minutes 21 seconds update s 13 08 2023 new as a level latest papers added

past papers xtremepapers - Sep 05 2022

web dec 13 2021 a guys i have found the updated cambridge past papers i have searched the whole internet for the updated nov 2019 past papers for cambridge and i have found this website igunioneg com pastpapers igunioneg com also it has other boards like aqa ccea ocr so i am glad to share with you this awesome

papers xtremepapers - Feb 10 2023

web download past papers marking schemes specimen papers examiner reports syllabus and other exam materials for caie edexcel ib ielts sat toefl and much more

papers xtremepapers - Jun 14 2023

web english as a second language count in speaking 9 1 0991 dir english as a second language speaking endorsement 0510 dir english as a second language speaking endorsement 9 1 0993 dir english literature english 0486 dir english literature us 0427 dir english literature in english 0475 dir

o levels gcse igcse xtremepapers - Mar 11 2023

web sep 6 2023 discuss o levels gcse igcse and other level two qualifications xtremepapers home what s new latest activity authors papers caie edexcel ielts sat ib forums new posts search forums revision what s new for almost 10 years the site xtremepapers has been trying very hard to serve its users however we are

papers xtremepapers - Jul 15 2023

web download past papers marking schemes specimen papers examiner reports syllabus and other exam materials for caie edexcel ib ielts sat toefl and much more

xtreme past papers 9 pdf files past papers archive - Jul 03 2022

web enter the search term in the box below and click the search archive button here are 9 results for xtreme past papers 1 chemistry 5070 42 paper 4 question paper octobe r 2012 pdf xtremepapers o level past papers this document consists of 18 printed pages and 2 blank pages