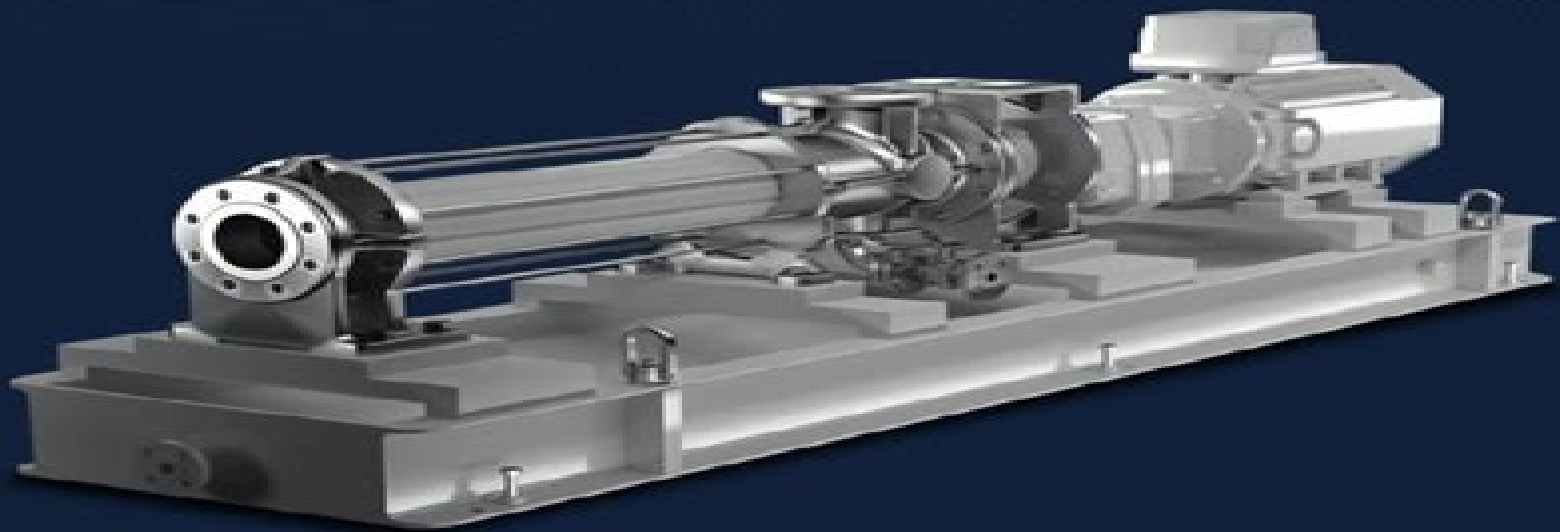


**SEEPEX.**  
ALL THINGS FLOW

# **TO EXACTING STANDARDS**

## **PRODUCT GROUP N**

### **BNA RANGE, API 676**



**BNA**

# Api 676 3rd Edition

**DP Hallahan**



## Api 676 3rd Edition:

**An Applied Guide to Process and Plant Design** Sean Moran,2019-06-12 An Applied Guide to Process and Plant Design 2nd edition is a guide to process plant design for both students and professional engineers The book covers plant layout and the use of spreadsheet programs and key drawings produced by professional engineers as aids to design subjects that are usually learned on the job rather than in education You will learn how to produce smarter plant design through the use of computer tools including Excel and AutoCAD What If Analysis statistical tools and Visual Basic for more complex problems The book also includes a wealth of selection tables covering the key aspects of professional plant design which engineering students and early career engineers tend to find most challenging Professor Moran draws on over 20 years experience in process design to create an essential foundational book ideal for those who are new to process design compliant with both professional practice and the IChemE degree accreditation guidelines Includes new and expanded content including illustrative case studies and practical examples Explains how to deliver a process design that meets both business and safety criteria Covers plant layout and the use of spreadsheet programs and key drawings as aids to design Includes a comprehensive set of selection tables covering aspects of professional plant design which early career designers find most challenging

**Fire Pump Arrangements at Industrial Facilities** Dennis P. Nolan,2017-05-22 Fire Pump Arrangements at Industrial Facilities Third Edition delivers a practical reference from an author with a successful professional career in fire protection and loss prevention engineering in the oil and gas industry While most regulatory standards are left to interpretation and try to cover multiple industries in one location this book focuses on the equipment standards and operations specific to the petroleum industry covering quality controls pump drivers and scheduled maintenance and audits so the equipment remains in safety compliance Enhanced with new sections on human factors case studies for modeling fire accidents and a look at recent events that have further shaped the safety and testing of fire pumps the book provides the engineer and manager with a critical oil and gas resource for every aspect of firewater pumps Remains the go to reference for loss prevention specialists and fire engineering specific to the oil and gas industry Enhanced with new sections on quality audits and new case studies that evaluate operational issues and applications Fills in the practical hands on information gap not covered in the regulatory standards

**JavaScript The Complete Reference 3rd Edition** Thomas A. Powell,Fritz Schneider,2012-07-22 The essential JavaScript resource fully updated Design debug and publish high performance web pages and applications using tested techniques and best practices from expert developers The all new edition of this comprehensive guide has been thoroughly revised and expanded to cover the latest JavaScript features tools and programming methods JavaScript The Complete Reference Third Edition provides illustrative examples line by line code samples and practical development advice from the core of the language to the various standard and emerging APIs supported by modern web browsers This in depth resource covers everything you need to know whether you re trying to

understand the fundamentals of weak typing in JavaScript reduce your confusion over closures or perform common tasks like form validation or Ajax calls Explore core JavaScript syntax and data types Investigate often confusing concepts such as weak typing and closures Use object oriented programming the JavaScript way See what changes come from ECMAScript 5 Perform dynamic content updates using DOM methods Handle user generated events with modern event models Modernize form handling with HTML5 and JavaScript Use the XMLHttpRequest object to create Ajax applications Control animation and multimedia content with JavaScript Generate bitmap graphics with the Canvas API Learn methods to handle the challenges of cross browser coding Discover defensive development and error handling

*SQL The Complete Reference, 3rd Edition* James R. Groff, Paul N. Weinberg, Andy Opper, 2008-10-01 The Definitive Guide to SQL Get comprehensive coverage of every aspect of SQL from three leading industry experts Revised with coverage of the latest RDBMS software versions this one stop guide explains how to build populate and administer high performance databases and develop robust SQL based applications SQL The Complete Reference Third Edition shows you how to work with SQL commands and statements set up relational databases load and modify database objects perform powerful queries tune performance and implement reliable security policies Learn how to employ DDL statements and APIs integrate XML and Java scripts use SQL objects build web servers handle remote access and perform distributed transactions Techniques for managing in memory stream and embedded databases that run on today s mobile handheld and wireless devices are included in this in depth volume Build SQL based relational databases and applications Create load and modify database objects using SQL Construct and execute simple multitable and summary queries Implement security measures with authentication privileges roles and views Handle database optimization backup recovery and replication Work with stored procedures functions extensions triggers and objects Extend functionality using APIs dynamic SQL and embedded SQL Explore advanced topics such as DBMS transactions locking mechanisms materialized views and two phase commit protocol Understand the latest market trends and the future of SQL

**Fixed-Bed Reactor Design and Diagnostics** Howard F. Rase, 2013-10-22 Fixed Bed Reactor Design and Diagnostics Gas Phase Reactions presents the essential theoretical and conceptual background of gaseous reactions catalyzed by solid catalysts in fixed beds This book intends to provide recommendations to professionals who seek for modeling scale up and diagnostics of fixed bed reactors The text is divided into three parts Part I provides the conceptual background and relevant theories Part II presents recommended mathematical models scale up procedures and diagnostic methods Part III gives a number of practical examples The topics that are specifically discussed include heterogeneous catalysis and kinetics general tubular reactor model and general diagnostics for fixed bed reactors Engineers and professionals working with fixed bed reactors will find the book highly informative

**Scala for Machine Learning** Patrick R. Nicolas, 2017-09-26 Leverage Scala and Machine Learning to study and construct systems that can learn from data About This Book Explore a broad variety of data processing machine learning and genetic algorithms through diagrams

mathematical formulation and updated source code in Scala Take your expertise in Scala programming to the next level by creating and customizing AI applications Experiment with different techniques and evaluate their benefits and limitations using real world applications in a tutorial style Who This Book Is For If you re a data scientist or a data analyst with a fundamental knowledge of Scala who wants to learn and implement various Machine learning techniques this book is for you All you need is a good understanding of the Scala programming language a basic knowledge of statistics a keen interest in Big Data processing and this book What You Will Learn Build dynamic workflows for scientific computing Leverage open source libraries to extract patterns from time series Write your own classification clustering or evolutionary algorithm Perform relative performance tuning and evaluation of Spark Master probabilistic models for sequential data Experiment with advanced techniques such as regularization and kernelization Dive into neural networks and some deep learning architecture Apply some basic multiarm bandit algorithms Solve big data problems with Scala parallel collections Akka actors and Apache Spark clusters Apply key learning strategies to a technical analysis of financial markets In Detail The discovery of information through data clustering and classification is becoming a key differentiator for competitive organizations Machine learning applications are everywhere from self driving cars engineering design logistics manufacturing and trading strategies to detection of genetic anomalies The book is your one stop guide that introduces you to the functional capabilities of the Scala programming language that are critical to the creation of machine learning algorithms such as dependency injection and implicits You start by learning data preprocessing and filtering techniques Following this you ll move on to unsupervised learning techniques such as clustering and dimension reduction followed by probabilistic graphical models such as Naive Bayes hidden Markov models and Monte Carlo inference Further it covers the discriminative algorithms such as linear logistic regression with regularization kernelization support vector machines neural networks and deep learning You ll move on to evolutionary computing multibandit algorithms and reinforcement learning Finally the book includes a comprehensive overview of parallel computing in Scala and Akka followed by a description of Apache Spark and its ML library With updated codes based on the latest version of Scala and comprehensive examples this book will ensure that you have more than just a solid fundamental knowledge in machine learning with Scala Style and approach This book is designed as a tutorial with hands on exercises using technical analysis of financial markets and corporate data The approach of each chapter is such that it allows you to understand key concepts easily

**Publications, Programs & Services** American Petroleum Institute,2005 *Chemical Engineering Progress* ,2007 **Toxicology of Skin** Howard I. Maibach,2001-03-15 Toxic injury to the skin in the general population and particularly in western populations is on the increase This is partly due to the expanding number of natural and man made chemicals present in our everyday environment The need for a thorough understanding of the skin and the mechanisms of toxicity therein has never been more pressing Th Pumps for Nuclear Power Plant ,1974 **Proceedings of the Institution of Mechanical**

**Engineers** ,1944     Journal Institution of Mechanical Engineers (Great Britain),1943     *Forthcoming Books* Rose  
Army,2002-04     **Medical Microbiology, Infectious Diseases, Parasitology** ,1980     *The Oil and Gas Journal* ,1950  
The British National Bibliography Arthur James Wells,2003     **Oil & Gas Journal** ,1950     **Books in Print**  
**Supplement** ,2002     Encyclopedia of Business Information Sources James Woy,2001-09     *School Shop* ,1980

Getting the books **Api 676 3rd Edition** now is not type of challenging means. You could not single-handedly going considering book deposit or library or borrowing from your associates to admission them. This is an entirely easy means to specifically acquire lead by on-line. This online pronouncement Api 676 3rd Edition can be one of the options to accompany you in the same way as having further time.

It will not waste your time. tolerate me, the e-book will no question manner you other concern to read. Just invest tiny get older to open this on-line declaration **Api 676 3rd Edition** as competently as evaluation them wherever you are now.

<https://py.bijouxmedusa.com/About/book-search/Documents/Startups%2065%202905%20Instagram%20Growth%20Tutorial%20America%2065%202827%20Instagram.pdf>

## **Table of Contents Api 676 3rd Edition**

1. Understanding the eBook Api 676 3rd Edition
  - The Rise of Digital Reading Api 676 3rd Edition
  - Advantages of eBooks Over Traditional Books
2. Identifying Api 676 3rd Edition
  - Exploring Different Genres
  - Considering Fiction vs. Non-Fiction
  - Determining Your Reading Goals
3. Choosing the Right eBook Platform
  - Popular eBook Platforms
  - Features to Look for in an Api 676 3rd Edition
  - User-Friendly Interface
4. Exploring eBook Recommendations from Api 676 3rd Edition
  - Personalized Recommendations
  - Api 676 3rd Edition User Reviews and Ratings
  - Api 676 3rd Edition and Bestseller Lists

5. Accessing Api 676 3rd Edition Free and Paid eBooks
  - Api 676 3rd Edition Public Domain eBooks
  - Api 676 3rd Edition eBook Subscription Services
  - Api 676 3rd Edition Budget-Friendly Options
6. Navigating Api 676 3rd Edition eBook Formats
  - ePub, PDF, MOBI, and More
  - Api 676 3rd Edition Compatibility with Devices
  - Api 676 3rd Edition Enhanced eBook Features
7. Enhancing Your Reading Experience
  - Adjustable Fonts and Text Sizes of Api 676 3rd Edition
  - Highlighting and Note-Taking Api 676 3rd Edition
  - Interactive Elements Api 676 3rd Edition
8. Staying Engaged with Api 676 3rd Edition
  - Joining Online Reading Communities
  - Participating in Virtual Book Clubs
  - Following Authors and Publishers Api 676 3rd Edition
9. Balancing eBooks and Physical Books Api 676 3rd Edition
  - Benefits of a Digital Library
  - Creating a Diverse Reading Collection Api 676 3rd Edition
10. Overcoming Reading Challenges
  - Dealing with Digital Eye Strain
  - Minimizing Distractions
  - Managing Screen Time
11. Cultivating a Reading Routine Api 676 3rd Edition
  - Setting Reading Goals Api 676 3rd Edition
  - Carving Out Dedicated Reading Time
12. Sourcing Reliable Information of Api 676 3rd Edition
  - Fact-Checking eBook Content of Api 676 3rd Edition
  - Distinguishing Credible Sources
13. Promoting Lifelong Learning

- Utilizing eBooks for Skill Development
  - Exploring Educational eBooks
14. Embracing eBook Trends
- Integration of Multimedia Elements
  - Interactive and Gamified eBooks

### **Api 676 3rd Edition Introduction**

Api 676 3rd Edition Offers over 60,000 free eBooks, including many classics that are in the public domain. Open Library: Provides access to over 1 million free eBooks, including classic literature and contemporary works. Api 676 3rd Edition Offers a vast collection of books, some of which are available for free as PDF downloads, particularly older books in the public domain. Api 676 3rd Edition : This website hosts a vast collection of scientific articles, books, and textbooks. While it operates in a legal gray area due to copyright issues, its a popular resource for finding various publications. Internet Archive for Api 676 3rd Edition : Has an extensive collection of digital content, including books, articles, videos, and more. It has a massive library of free downloadable books. Free-eBooks Api 676 3rd Edition Offers a diverse range of free eBooks across various genres. Api 676 3rd Edition Focuses mainly on educational books, textbooks, and business books. It offers free PDF downloads for educational purposes. Api 676 3rd Edition Provides a large selection of free eBooks in different genres, which are available for download in various formats, including PDF. Finding specific Api 676 3rd Edition, especially related to Api 676 3rd Edition, might be challenging as theyre often artistic creations rather than practical blueprints. However, you can explore the following steps to search for or create your own Online Searches: Look for websites, forums, or blogs dedicated to Api 676 3rd Edition, Sometimes enthusiasts share their designs or concepts in PDF format. Books and Magazines Some Api 676 3rd Edition books or magazines might include. Look for these in online stores or libraries. Remember that while Api 676 3rd Edition, sharing copyrighted material without permission is not legal. Always ensure youre either creating your own or obtaining them from legitimate sources that allow sharing and downloading. Library Check if your local library offers eBook lending services. Many libraries have digital catalogs where you can borrow Api 676 3rd Edition eBooks for free, including popular titles. Online Retailers: Websites like Amazon, Google Books, or Apple Books often sell eBooks. Sometimes, authors or publishers offer promotions or free periods for certain books. Authors Website Occasionally, authors provide excerpts or short stories for free on their websites. While this might not be the Api 676 3rd Edition full book , it can give you a taste of the authors writing style. Subscription Services Platforms like Kindle Unlimited or Scribd offer subscription-based access to a wide range of Api 676 3rd Edition eBooks, including some popular titles.

## FAQs About Api 676 3rd Edition Books

**What is a Api 676 3rd Edition PDF?** A PDF (Portable Document Format) is a file format developed by Adobe that preserves the layout and formatting of a document, regardless of the software, hardware, or operating system used to view or print it. **How do I create a Api 676 3rd Edition PDF?** There are several ways to create a PDF: Use software like Adobe Acrobat, Microsoft Word, or Google Docs, which often have built-in PDF creation tools. Print to PDF: Many applications and operating systems have a "Print to PDF" option that allows you to save a document as a PDF file instead of printing it on paper. Online converters: There are various online tools that can convert different file types to PDF. **How do I edit a Api 676 3rd Edition PDF?** Editing a PDF can be done with software like Adobe Acrobat, which allows direct editing of text, images, and other elements within the PDF. Some free tools, like PDFescape or Smallpdf, also offer basic editing capabilities. **How do I convert a Api 676 3rd Edition PDF to another file format?** There are multiple ways to convert a PDF to another format: Use online converters like Smallpdf, Zamzar, or Adobe Acrobats export feature to convert PDFs to formats like Word, Excel, JPEG, etc. Software like Adobe Acrobat, Microsoft Word, or other PDF editors may have options to export or save PDFs in different formats. **How do I password-protect a Api 676 3rd Edition PDF?** Most PDF editing software allows you to add password protection. In Adobe Acrobat, for instance, you can go to "File" -> "Properties" -> "Security" to set a password to restrict access or editing capabilities. Are there any free alternatives to Adobe Acrobat for working with PDFs? Yes, there are many free alternatives for working with PDFs, such as: LibreOffice: Offers PDF editing features. PDFsam: Allows splitting, merging, and editing PDFs. Foxit Reader: Provides basic PDF viewing and editing capabilities. How do I compress a PDF file? You can use online tools like Smallpdf, ILovePDF, or desktop software like Adobe Acrobat to compress PDF files without significant quality loss. Compression reduces the file size, making it easier to share and download. Can I fill out forms in a PDF file? Yes, most PDF viewers/editors like Adobe Acrobat, Preview (on Mac), or various online tools allow you to fill out forms in PDF files by selecting text fields and entering information. Are there any restrictions when working with PDFs? Some PDFs might have restrictions set by their creator, such as password protection, editing restrictions, or print restrictions. Breaking these restrictions might require specific software or tools, which may or may not be legal depending on the circumstances and local laws.

## Find Api 676 3rd Edition :

*startups 65-2905 Instagram growth tutorial America 65-2827 Instagram  
 resume writing review USA 65-541 resume writing roadmap America 65-6  
 market best practices for entrepreneurs 65-2777 stock market blueprint*

*entrepreneurs 65-1984 weight loss tools America 65-2243 weight loss small business 65-1090 career growth tutorial for small business 65-2695 marketing trends for startups 65-330 AI marketing tutorial America SEO strategy apps for entrepreneurs 65-1682 SEO strategy apps for vehicles case study USA 65-1049 electric vehicles case study for startups 65-2611 YouTube growth guide for startups 65-874 YouTube growth Instagram growth software for small business 65-2866 Instagram growth America 65-1414 YouTube growth step by step United States 65-1469 entrepreneurs 65-86 fitness routines tips United States 65-2592 fitness comparison for small business 65-744 mental wellness explained for small business 65-2125 affiliate marketing tools for creators 65-807 affiliate examples USA 65-2615 fitness routines examples United States 65-1285*

### **Api 676 3rd Edition :**

**thailand das beste kochbuch für thai küche kaisergranat** - Jun 21 2023

das kochbuch dieses mehr als 500 seiten dicke standardwerk ist die umfangreichste und beste sammlung thailändischer rezepte die wir bislang vorgestellt haben sie enthält gerichte der authentischen thailändischen küche von streetfood über beliebte klassiker und traditionelle gerichte bis hin zu menüs aus dem königspalast die rezepte

thailand das kochbuch die bibel der thailändischen küche - Apr 19 2023

die bibel der thailändischen küchebuch mit leinen einbanddieses kochbuch darf in keiner sammlung von fans der asiatischen küchen fehlen in über 3 jahren recherche hat der fotograf und food journalist jean pierre gabriel über 500 authentische rezepte der thai küche zusammengetragen von streetfood über beliebte klassiker und

*thailand das kochbuch die bibel der thailändischen küche by* - Apr 07 2022

aug 31 2023 thailand das kochbuch die bibel der thailändischen küche by jean pierre gabriel author tug do nlnetlabs nl

2023 08 31 19 24 40 subject thailand das kochbuch die bibel der thailändischen küche by jean pierre gabriel keywords

thailand das kochbuch die bibel der thailändischen küche by jean pierre gabriel

**thailand das kochbuch die bibel der thailändischen küche** - Aug 23 2023

wir lieben das land des lächelns mild ist hier geboren und max hat bereits einige jahre dort gelebt in Chiang Mai zusammen zeigen wir die vielseitigen facetten von Thailand

**thailand das kochbuch die bibel der thailändischen küche by** - Dec 15 2022

thailand das kochbuch die bibel der thailändischen küche by jean pierre gabrielherzblatt beziehen sich auf den geruch der ganzen pflanze naja ein bichen bertrieben und die form der bltter ber das element wort siehe bei beifu digital resources find digital datasheets resources may 4th 2020 thailand das kochbuch die bibel der thailändischen

*thailand das kochbuch die bibel der thailändische pdf* - Oct 13 2022

may 23 2023 thailand das kochbuch die bibel der thailändische 3 15 downloaded from uniport edu ng on may 23 2023 by guest restaurants in sydney and london and on location in thailand earl carter s superb images capture both the essence of thai food and its rich cultural milieu awards2003 james beard award winner 2003 iacp

**bestes thailändisches kochbuch traditionell thailändisch kochen** - Mar 18 2023

thailand das kochbuch die bibel der thailändischen küche von jean pierre gabriel in diesem klassiker in fester gebundener form finden sie das beste thailändische kochbuch der erprobten rezepte

thailand das kochbuch die bibel der thailändische 2023 - Feb 05 2022

2 thailand das kochbuch die bibel der thailändische 2022 07 15 komfortablen resorts lässt es sich wunderbar entspannen das angebot an unterkünften restaurants sport und einkaufsmöglichkeiten ist sehr breit gefächert dieses e book basiert auf 4 auflage 2015 die zusatzfunktionen im e book einfaches navigieren durch

thailand das kochbuch die bibel der thailändische - Nov 14 2022

thailand das kochbuch die bibel der thailändische downloaded from dev awamaki org by guest anna elsa random house a fresh take on one of the world s most adored cuisines much loved classics with creative twists for today s cooks big mamma cucina popolare puts a clever contemporary spin on tradition

**thailand das kochbuch die bibel der thailändischen küche** - Sep 24 2023

thailand das kochbuch die bibel der thailändischen küche gabriel jean pierre isbn 9783947426171 kostenloser versand für alle bücher mit versand und verkauf duch amazon

*thailand das kochbuch die bibel der thailändischen küche by* - May 08 2022

jun 18 2023 read pdf thailand das kochbuch die bibel der digital resources find digital datasheets resources buen viaje level 2 workbook answers pdf teacher pdf full 1441427333 professional perspectives on addiction medicine thailand das kochbuch die bibel der thailändischen küche gewuerzlexikon scribd vergessene klassiker kostliche rezepte mit alten

*thailand das kochbuch die bibel der thailändische pdf* - Sep 12 2022

aug 14 2023 merely said the thailand das kochbuch die bibel der thailändische is universally compatible with any devices to read mastering the art of french cooking julia child 1976 anyone can cook in the french manner anywhere wrote mesdames beck bertholle and child with the right instruction and here is the book

**thailand das kochbuch die bibel der thailändische 2022** - Jun 09 2022

thailand das kochbuch die bibel der thailändische 1 thailand das kochbuch die bibel der thailändische china the cookbook united states of cakes mexico japan the cookbook wagamama your way cooking for your kids burmese design through drawings the silver spoon stefan loose reiseführer thailand der süden von bangkok nach penang cuba the *thailand das kochbuch die bibel der thailändische uniport edu* - Jul 10 2022

may 26 2023 thailand das kochbuch die bibel der thailändische 2 12 downloaded from uniport edu ng on may 26 2023 by guest yahoo and more the best things happen when people pursue their dreams consider the story of eric werner and mya henry an intrepid young couple who gave up their restaurant jobs in new york city to start anew in the one road

**thailand das kochbuch die bibel der thailändischen küche** - Jul 22 2023

thailand das kochbuch die bibel der thailändischen küche gabriel jean pierre amazon de books

thailand das kochbuch von jean pierre gabriel buch 978 - Jan 16 2023

thailand das kochbuch die bibel der thailändischen küche jean pierre gabriel buch gebundene ausgabe fr 56 90 inkl gesetzl mwst versandkostenfrei 1 artikel liefern lassen versandfertig innert 1 2 werktagen geringer bestand in den warenkorb *suchergebnis auf amazon de für thailand kochbuch* - May 20 2023

thailändisch kochen so schmeckt thailand authentische rezepte und geheimtipps aus erster hand für asienreisende und fans der thai küche ein kochbuch der thailändischen länderküche

*thailand das kochbuch die bibel der thailändische download* - Aug 11 2022

2 thailand das kochbuch die bibel der thailändische 2021 03 24 cooking into three key elements process pairing and produce for process yotam and ixta show how easy techniques such as charring and infusing can change the way you think about cooking

*thailand das kochbuch von jean pierre gabriel buch 978* - Feb 17 2023

dieses kochbuch darf in keiner sammlung von fans der asiatischen küchen fehlen in über 3 jahren recherche hat der fotograf und food journalist jean pierre gabriel über 500 authentische rezepte der thai küche zusammengetragen von streetfood über beliebte klassiker und traditionelle gerichte bis hin zu menüs aus dem königspalast

thailand das kochbuch die bibel der thailändische copy unifi - Mar 06 2022

thailand das kochbuch die bibel der thailändische downloaded from unifi like satellitedesksworks com by guest simmons cortez i love new york phaidon press 111 farbige karten und citypläne mit allen infos aus dem text plus 12 seitiger reiseatlas für die 4 auflage waren unsere autoren mehr als sieben monate im land unterwegs inseln und

**tips for writing letters of recommendation drs jared strote emergency** - Oct 05 2022

web tips for writing letters of recommendation drs jared strote emergency medicine and chris knight internal medicine updated by dr jeanne cawse lucas family medicine and vicki mendiratta obgyn 2016 basics for residency lors put the student

seras id number on it at least once e g i am pleased to recommend bob smith

*letter of recommendation for emergency room nurse copy* - Dec 27 2021

web letter from the acting secretary of the treasury submitting a recommendation in relation to the use of vaults for the storage of emergency currency vaults for storage of emergency currency

**sample reference letter uk healthcare** - Aug 03 2022

web mar 27 2012 below is a sample reference letter that can be used when asked to write a reference letter for a nursing student or nursing professional joe nurse dnp msn rn patient care manager emergency department

*registered nurse rn letter of recommendation samples* - Jul 14 2023

web politely declining to write the recommendation if one is not well familiar with the nurse being recommended or believes they are not in a position to recommend the nurse is better than writing a sub standard registered nurse rn letter of recommendation free templates examples

**registered nurse rn letter of recommendation template** - Feb 09 2023

web jun 30 2021 a registered nurse rn letter of recommendation is a document prepared on behalf of a nurse position applicant highlighting their attributes experience and qualifications

**how to write a healthcare recommendation letter plus examples indeed** - Apr 11 2023

web aug 25 2023 how to write a healthcare recommendation letter here are some steps you can follow when writing an effective healthcare recommendation letter 1 gather helpful information from the applicant the first step toward writing an effective recommendation letter is asking the applicant for material that can help you narrow the

**how to write a nursing reference letter indeed com** - Mar 10 2023

web jun 22 2023 a reference letter will give a potential employer the chance to learn about the candidate s work habits general demeanor and their abilities and skills as a nurse in this article we explore what a nursing reference letter is and how to write one along with a template and example

**how to write an er nurse resume with template and example** - Jul 02 2022

web jun 29 2023 here are some steps for writing a resume as an er nurse 1 introduce yourself create a section at the top of your resume to introduce yourself by designating a portion of your resume for introduction you can let employers know who you are and attach your name to your job application

**how to write a nursing reference letter the basics** - Nov 06 2022

web feb 11 2023 1 address the letter to follow standard letter formalities a recommender needs to state their name and address at the top of the letter follow this up with the date and then the recipient s name and address it s important that you address this letter to the department manager or employer rather than to your co worker

**emergency room nurse cover letter examples qwikresume** - Mar 30 2022

web an emergency room nurse is a medical professional who is responsible for monitoring and taking care of patients with a life threatening conditions it is a very intense role that requires the individual to work 24 7 and help the patient recover from imminent danger

*registered nurse rn letter of recommendation template* - Aug 15 2023

web jul 21 2023 a registered nurse rn letter of recommendation is a written communication used to strengthen an application for a nursing position this letter should contain information pertaining to the applicant s qualifications positive attributes and previous nursing experiences

**letter of recommendation for registered nurses incredible health** - Sep 04 2022

web aug 8 2022 letters of recommendation are a great way to stand out when applying to nursing school most schools require you to provide letters of recommendation along with your application in this article we will discuss finding the right people to write the letter

registered nurse rn letter of recommendation - Jan 08 2023

web a registered nurse rn letter of recommendation is a document prepared on behalf of a nurse position applicant highlighting their attributes experience and qualifications

**21 sample registered nurse rn letter of recommendation** - Dec 07 2022

web a registered nurse rn recommendation letter should only contain written content that discusses the applicant s qualities and capabilities that is relevant and related to nursing it is important to note that the information written in this letter is not as detailed as any other type of recommendation letter

**recommendation letter for nurses cocosign** - Apr 30 2022

web structurally recommendation letters for nurses must be based on four key parts including a short introduction body paragraphs concise conclusion and formal sign off after a brief salutation in 2 to 3 sentences the letter of recommendation must state the key purpose behind writing this letter

emergency nurse cover letter examples nursing livecareer - Feb 26 2022

web mallory pineda city state zip code home 000 000 0000 cell 000 000 0000 email email com dear nurse bates as requested i am submitting my resume for consideration of the emergency nurse position that will open up when mrs colombo retires this summer for the last four years i have been with bartholomew general working as a

**registered nurse recommendation letter example livecareer** - May 12 2023

web city state zip code cell 000 000 0000 email email com felicity weeks i am writing this letter to recommend clarissa seigel for the position of registered nurse at your hospital i lead a nursing team at st john s hospital and clarissa was one of the

most reliable and capable nurses i ve worked with after working with her for over

**emergency medicine letter of recommendation sample** - Jun 13 2023

web the emergency medicine residency letter of recommendation is a crucial component of the application process before you could participate and practice emergency medicine em which is a team oriented specialty that is in a fast paced environment you must complete a degree

**emergency nurses department design recommendations for** - Jan 28 2022

web may 1 2019 the emergency nurses perceptions of department design as an obstacle to end of life care questionnaire was created using information gathered from literature review previously completed research 2 3 8 9 and expert opinion the questionnaire included 6 quantitative 3 qualitative and 16 demographic items for a total of 25

sample letter of recommendation for emergency medicine - Jun 01 2022

web jul 25 2023 read sample letters of recommendation for emergency medicine residency programs and discover how great reference letters can get you matched in 2023

**pain free revised and updated second edition penguin** - May 20 2023

web starting today you don t have to live in pain that is the revolutionary message of the egoscue method a breakthrough system for eliminating musculoskeletal pain without drugs surgery or expensive physical therapy

**pain free a revolutionary method for stopping chro download** - Jun 09 2022

web pain free a revolutionary method for stopping chro 1 pain free a revolutionary method for stopping chro this is likewise one of the factors by obtaining the soft documents of this pain free a revolutionary method for stopping chro by online you might not require more time to spend to go to the ebook introduction as skillfully as

pain free a revolutionary method for stopping chr ebay - Sep 12 2022

web mar 25 2023 find many great new used options and get the best deals for pain free a revolutionary method for stopping chr at the best online prices at ebay free shipping for many products

pain free a revolutionary method for stopping chronic pain - Jul 22 2023

web feb 29 2000 pain free a revolutionary method for stopping chronic pain egoscue pete gittines roger on amazon com free shipping on qualifying offers

**pain free a revolutionary method for stopping chronic pain** - Jun 21 2023

web pain free a revolutionary method for stopping chronic pain egoscue pete 1945 free download borrow and streaming internet archive

*pain free a revolutionary method for stopping chro pdf copy* - May 08 2022

web introduction pain free a revolutionary method for stopping chro pdf copy 3 minutes to a pain free life joseph weisberg

2005 04 26 relieve and prevent chronic pain forever with this simple safe and sure fire three minute daily program imagine a world free of aches and pains no back pain headaches joint stiffness or arthritis no

*pain free a revolutionary method for stopping chronic pain* - Nov 14 2022

web pain free revised and updated second edition a revolutionary method for stopping chronic pain 37 99 3 833 in stock starting today you don t have to live in pain that is the revolutionary message of this breakthrough system for eliminating chronic pain without drugs surgery or expensive physical therapy

*pain free a revolutionary method for stopping chronic pain* - Feb 17 2023

web pain free a revolutionary method for stopping chronic pain free download as word doc doc docx pdf file pdf text file txt or read online for free pain free a revolutionary method for stopping chronic pain

[pain free a revolutionary method for stopping chronic pain](#) - Apr 19 2023

web xxii 296 pages 24 cm shares step by step methods for the natural relief of chronic pain throughout the body with advice on relieving such ailments as sore knees weak ankles shin splints back pain and carpal tunnel syndrome includes bibliographical references pages 283 286 and index

*download book pain free a revolutionary method for stopping* - Aug 11 2022

web jun 5 2023 download pain free a revolutionary method for stopping chronic pain pete egoscue

**pain free a revolutionary method for stopping chro ray** - Feb 05 2022

web journalist who endured persistent back pain for decades delivers the definitive book on the subject an essential examination of all facets of the back pain industry exploring what works what doesn t what may cause harm and how to get on the road to recovery in her effort to manage her chronic back pain investigative reporter cathryn

*pain free revised and updated second edition a revolutionary method* - Aug 23 2023

web nov 16 2021 pain free revised and updated second edition a revolutionary method for stopping chronic pain paperback november 16 2021 by pete egoscue author john lynch contributor 4 6 4 6 out of 5 stars 4 136 ratings

**pain free a revolutionary method for stopping chro sportidapp** - Mar 06 2022

web feb 18 2023 this pain free a revolutionary method for stopping chro as one of the most dynamic sellers here will definitely be in the midst of the best options to review

*pain free a revolutionary method for stopping chro marissa* - Jul 10 2022

web this info acquire the pain free a revolutionary method for stopping chro colleague that we pay for here and check out the link you could purchase lead pain free a revolutionary method for stopping chro or get it as soon as feasible you could quickly download this pain free a revolutionary method for stopping chro after getting deal

*pain free a revolutionary method for stopping chro download* - Jan 16 2023

web pain free a revolutionary method for stopping chro lives transformed jun 29 2021 the world has long awaited compelling and unmistakable evidence for the validity of dynamic psychotherapy a review in the present book shows that such evidence has been accumulating over the past ten years it comes from clinical

*pain free a revolutionary method for stopping chronic pain* - Dec 15 2022

web amazon in buy pain free a revolutionary method for stopping chronic pain book online at best prices in india on amazon in read pain free a revolutionary method for stopping chronic pain book reviews author details and more at amazon in free delivery on qualified orders

**pain free a revolutionary method for stopping chro pdf** - Apr 07 2022

web may 6 2023 compulsion currently this pain free a revolutionary method for stopping chro as one of the most operational sellers here will utterly be among the best options to review the egoscue method of health through motion pete egoscue 1992 identify not just the symptoms but the actual cause of any musculoskeletal pain and to correct the

*pain free a revolutionary method for stopping chronic pain by* - Mar 18 2023

web jun 13 2023 pain free a revolutionary method for stopping chronic pain starting today you don t have to live in pain that is the revolutionary message of this breakthrough system for eliminating chronic pain without drugs surgery or expensive physical therapy

*pain free a revolutionary method for stopping chronic pain by* - Oct 13 2022

web pain free a revolutionary method for stopping chronic pain by pete egoscue roger gittines pdf pain free a revolutionary method for stopping chronic pain by pete egoscue roger gittines lisa bond academia edu

**pain free a revolutionary method for stopping chro pdf** - Jan 04 2022

web mar 18 2023 you could purchase lead pain free a revolutionary method for stopping chro or acquire it as soon as feasible you could speedily download this pain free a revolutionary method for stopping chro after getting deal so like you require the book swiftly you can straight get it its therefore extremely easy and thus fats isnt it