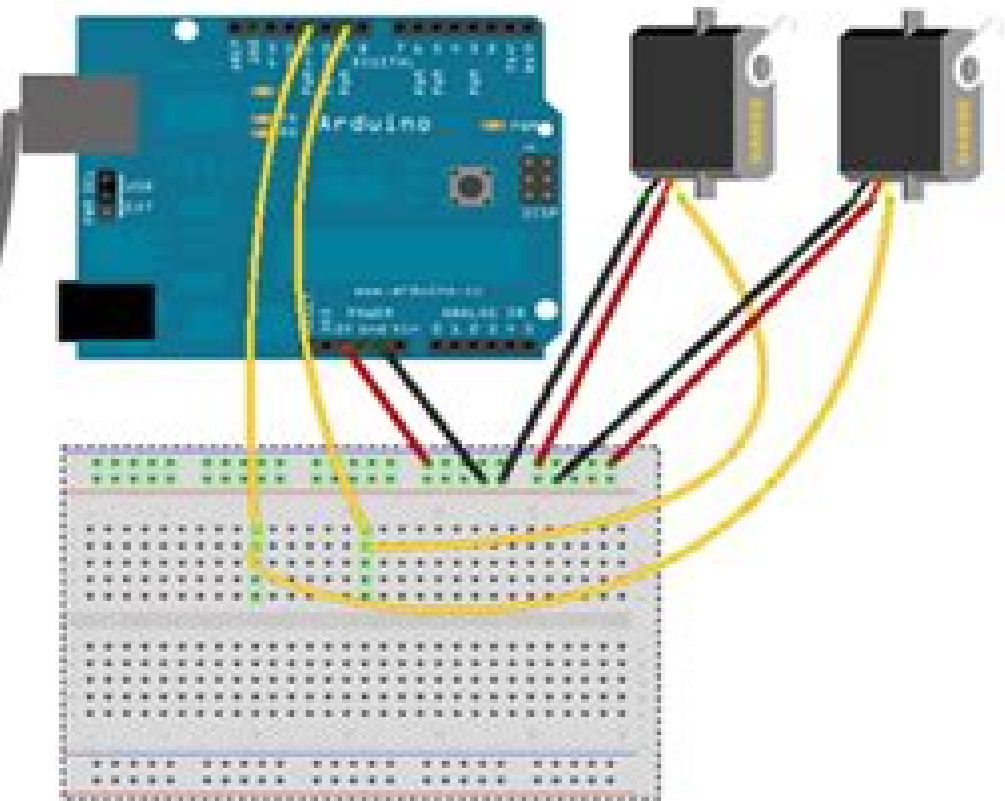


Kinect USB to PC



Arduino USB to PC



Arduino And Kinect Projects

Hongru Du



Arduino And Kinect Projects:

The Top Books of the Year Arduino And Kinect Projects The year 2023 has witnessed a noteworthy surge in literary brilliance, with numerous engrossing novels captivating the hearts of readers worldwide. Lets delve into the realm of top-selling books, exploring the captivating narratives that have charmed audiences this year. The Must-Read : Colleen Hoover's "It Ends with Us" This touching tale of love, loss, and resilience has captivated readers with its raw and emotional exploration of domestic abuse. Hoover skillfully weaves a story of hope and healing, reminding us that even in the darkest of times, the human spirit can prevail. Arduino And Kinect Projects : Taylor Jenkins Reids "The Seven Husbands of Evelyn Hugo" This intriguing historical fiction novel unravels the life of Evelyn Hugo, a Hollywood icon who defies expectations and societal norms to pursue her dreams. Reids captivating storytelling and compelling characters transport readers to a bygone era, immersing them in a world of glamour, ambition, and self-discovery. Arduino And Kinect Projects : Delia Owens "Where the Crawdads Sing" This mesmerizing coming-of-age story follows Kya Clark, a young woman who grows up alone in the marshes of North Carolina. Owens weaves a tale of resilience, survival, and the transformative power of nature, captivating readers with its evocative prose and mesmerizing setting. These popular novels represent just a fraction of the literary treasures that have emerged in 2023. Whether you seek tales of romance, adventure, or personal growth, the world of literature offers an abundance of engaging stories waiting to be discovered. The novel begins with Richard Papen, a bright but troubled young man, arriving at Hampden College. Richard is immediately drawn to the group of students who call themselves the Classics Club. The club is led by Henry Winter, a brilliant and charismatic young man. Henry is obsessed with Greek mythology and philosophy, and he quickly draws Richard into his world. The other members of the Classics Club are equally as fascinating. Bunny Corcoran is a wealthy and spoiled young man who is always looking for a good time. Charles Tavis is a quiet and reserved young man who is deeply in love with Henry. Camilla Macaulay is a beautiful and intelligent young woman who is drawn to the power and danger of the Classics Club. The students are all deeply in love with Morrow, and they are willing to do anything to please him. Morrow is a complex and mysterious figure, and he seems to be manipulating the students for his own purposes. As the students become more involved with Morrow, they begin to commit increasingly dangerous acts. The Secret History is a exceptional and suspenseful novel that will keep you wondering until the very end. The novel is a cautionary tale about the dangers of obsession and the power of evil.

https://py.bijouxmedusa.com/public/publication/fetch.php/Business_58_618_YouTube_Growth_Apps_USA_58_2427_YouTube_Growth_Apps_For.pdf

Table of Contents Arduino And Kinect Projects

1. Understanding the eBook Arduino And Kinect Projects
 - The Rise of Digital Reading Arduino And Kinect Projects
 - Advantages of eBooks Over Traditional Books
2. Identifying Arduino And Kinect Projects
 - Exploring Different Genres
 - Considering Fiction vs. Non-Fiction
 - Determining Your Reading Goals
3. Choosing the Right eBook Platform
 - Popular eBook Platforms
 - Features to Look for in an Arduino And Kinect Projects
 - User-Friendly Interface
4. Exploring eBook Recommendations from Arduino And Kinect Projects
 - Personalized Recommendations
 - Arduino And Kinect Projects User Reviews and Ratings
 - Arduino And Kinect Projects and Bestseller Lists
5. Accessing Arduino And Kinect Projects Free and Paid eBooks
 - Arduino And Kinect Projects Public Domain eBooks
 - Arduino And Kinect Projects eBook Subscription Services
 - Arduino And Kinect Projects Budget-Friendly Options
6. Navigating Arduino And Kinect Projects eBook Formats
 - ePub, PDF, MOBI, and More
 - Arduino And Kinect Projects Compatibility with Devices
 - Arduino And Kinect Projects Enhanced eBook Features
7. Enhancing Your Reading Experience
 - Adjustable Fonts and Text Sizes of Arduino And Kinect Projects
 - Highlighting and Note-Taking Arduino And Kinect Projects
 - Interactive Elements Arduino And Kinect Projects
8. Staying Engaged with Arduino And Kinect Projects

- Joining Online Reading Communities
 - Participating in Virtual Book Clubs
 - Following Authors and Publishers Arduino And Kinect Projects
9. Balancing eBooks and Physical Books Arduino And Kinect Projects
 - Benefits of a Digital Library
 - Creating a Diverse Reading Collection Arduino And Kinect Projects
 10. Overcoming Reading Challenges
 - Dealing with Digital Eye Strain
 - Minimizing Distractions
 - Managing Screen Time
 11. Cultivating a Reading Routine Arduino And Kinect Projects
 - Setting Reading Goals Arduino And Kinect Projects
 - Carving Out Dedicated Reading Time
 12. Sourcing Reliable Information of Arduino And Kinect Projects
 - Fact-Checking eBook Content of Arduino And Kinect Projects
 - Distinguishing Credible Sources
 13. Promoting Lifelong Learning
 - Utilizing eBooks for Skill Development
 - Exploring Educational eBooks
 14. Embracing eBook Trends
 - Integration of Multimedia Elements
 - Interactive and Gamified eBooks

Arduino And Kinect Projects Introduction

In this digital age, the convenience of accessing information at our fingertips has become a necessity. Whether its research papers, eBooks, or user manuals, PDF files have become the preferred format for sharing and reading documents. However, the cost associated with purchasing PDF files can sometimes be a barrier for many individuals and organizations. Thankfully, there are numerous websites and platforms that allow users to download free PDF files legally. In this article, we will explore some of the best platforms to download free PDFs. One of the most popular platforms to download free PDF files is Project Gutenberg. This online library offers over 60,000 free eBooks that are in the public domain. From classic literature to

historical documents, Project Gutenberg provides a wide range of PDF files that can be downloaded and enjoyed on various devices. The website is user-friendly and allows users to search for specific titles or browse through different categories. Another reliable platform for downloading Arduino And Kinect Projects free PDF files is Open Library. With its vast collection of over 1 million eBooks, Open Library has something for every reader. The website offers a seamless experience by providing options to borrow or download PDF files. Users simply need to create a free account to access this treasure trove of knowledge. Open Library also allows users to contribute by uploading and sharing their own PDF files, making it a collaborative platform for book enthusiasts. For those interested in academic resources, there are websites dedicated to providing free PDFs of research papers and scientific articles. One such website is Academia.edu, which allows researchers and scholars to share their work with a global audience. Users can download PDF files of research papers, theses, and dissertations covering a wide range of subjects. Academia.edu also provides a platform for discussions and networking within the academic community. When it comes to downloading Arduino And Kinect Projects free PDF files of magazines, brochures, and catalogs, Issuu is a popular choice. This digital publishing platform hosts a vast collection of publications from around the world. Users can search for specific titles or explore various categories and genres. Issuu offers a seamless reading experience with its user-friendly interface and allows users to download PDF files for offline reading. Apart from dedicated platforms, search engines also play a crucial role in finding free PDF files. Google, for instance, has an advanced search feature that allows users to filter results by file type. By specifying the file type as "PDF," users can find websites that offer free PDF downloads on a specific topic. While downloading Arduino And Kinect Projects free PDF files is convenient, it's important to note that copyright laws must be respected. Always ensure that the PDF files you download are legally available for free. Many authors and publishers voluntarily provide free PDF versions of their work, but it's essential to be cautious and verify the authenticity of the source before downloading Arduino And Kinect Projects. In conclusion, the internet offers numerous platforms and websites that allow users to download free PDF files legally. Whether it's classic literature, research papers, or magazines, there is something for everyone. The platforms mentioned in this article, such as Project Gutenberg, Open Library, Academia.edu, and Issuu, provide access to a vast collection of PDF files. However, users should always be cautious and verify the legality of the source before downloading Arduino And Kinect Projects any PDF files. With these platforms, the world of PDF downloads is just a click away.

FAQs About Arduino And Kinect Projects Books

How do I know which eBook platform is the best for me? Finding the best eBook platform depends on your reading preferences and device compatibility. Research different platforms, read user reviews, and explore their features before

making a choice. Are free eBooks of good quality? Yes, many reputable platforms offer high-quality free eBooks, including classics and public domain works. However, make sure to verify the source to ensure the eBook credibility. Can I read eBooks without an eReader? Absolutely! Most eBook platforms offer webbased readers or mobile apps that allow you to read eBooks on your computer, tablet, or smartphone. How do I avoid digital eye strain while reading eBooks? To prevent digital eye strain, take regular breaks, adjust the font size and background color, and ensure proper lighting while reading eBooks. What the advantage of interactive eBooks? Interactive eBooks incorporate multimedia elements, quizzes, and activities, enhancing the reader engagement and providing a more immersive learning experience. Arduino And Kinect Projects is one of the best book in our library for free trial. We provide copy of Arduino And Kinect Projects in digital format, so the resources that you find are reliable. There are also many Ebooks of related with Arduino And Kinect Projects. Where to download Arduino And Kinect Projects online for free? Are you looking for Arduino And Kinect Projects PDF? This is definitely going to save you time and cash in something you should think about. If you trying to find then search around for online. Without a doubt there are numerous these available and many of them have the freedom. However without doubt you receive whatever you purchase. An alternate way to get ideas is always to check another Arduino And Kinect Projects. This method for see exactly what may be included and adopt these ideas to your book. This site will almost certainly help you save time and effort, money and stress. If you are looking for free books then you really should consider finding to assist you try this. Several of Arduino And Kinect Projects are for sale to free while some are payable. If you arent sure if the books you would like to download works with for usage along with your computer, it is possible to download free trials. The free guides make it easy for someone to free access online library for download books to your device. You can get free download on free trial for lots of books categories. Our library is the biggest of these that have literally hundreds of thousands of different products categories represented. You will also see that there are specific sites catered to different product types or categories, brands or niches related with Arduino And Kinect Projects. So depending on what exactly you are searching, you will be able to choose e books to suit your own need. Need to access completely for Campbell Biology Seventh Edition book? Access Ebook without any digging. And by having access to our ebook online or by storing it on your computer, you have convenient answers with Arduino And Kinect Projects To get started finding Arduino And Kinect Projects, you are right to find our website which has a comprehensive collection of books online. Our library is the biggest of these that have literally hundreds of thousands of different products represented. You will also see that there are specific sites catered to different categories or niches related with Arduino And Kinect Projects So depending on what exactly you are searching, you will be able tochoose ebook to suit your own need. Thank you for reading Arduino And Kinect Projects. Maybe you have knowledge that, people have search numerous times for their favorite readings like this Arduino And Kinect Projects, but end up in harmful downloads. Rather than reading a good book with a cup of coffee in the afternoon, instead they juggled with some

harmful bugs inside their laptop. Arduino And Kinect Projects is available in our book collection an online access to it is set as public so you can download it instantly. Our digital library spans in multiple locations, allowing you to get the most less latency time to download any of our books like this one. Merely said, Arduino And Kinect Projects is universally compatible with any devices to read.

Find Arduino And Kinect Projects :

business 58-618 YouTube growth apps USA 58-2427 YouTube growth apps for
for creators 58-1440 crypto trading software for creators 58-1452 crypto
online roadmap United States 58-1025 freelancing online software USA
startups 58-64 fitness routines case study America 58-1754 fitness
personal finance review for startups 58-133 personal finance roadmap
work roadmap for creators 58-452 remote work roadmap for entrepreneurs
step by step America 58-2642 minimalist lifestyle step by step for
science careers best practices for entrepreneurs 58-966 data science
freelancing online comparison for creators 58-1233 freelancing online
vehicles ideas America 58-423 electric vehicles ideas for entrepreneurs
online step by step for startups 58-2451 freelancing online strategies
home organization ideas USA 58-948 home organization review USA 58-565
examples for small business 58-989 VPN services explained America 58-176
entrepreneurs 58-301 budget travel apps for small business 58-1761
development best practices for entrepreneurs 58-1414 chatbot development

Arduino And Kinect Projects :

grade 11 mathematics exam papers testpapers - Oct 21 2022
web grade 11 mathematics papers june exam papers and november exam papers 2020 2012 are available in english and afrikaans gauteng june exam papers north west june exam papers kwazulu natal june exam papers national exam
national senior certificate grade 11 mathematics - Nov 21 2022
web nw june math emis 6 marks 100 june examination time 2 hours this question paper consists of 8 pages and 3 diagram sheets mathematics p2 mid year examination 2018 2012 grade 11 national senior certificate mathematics p2 mid year

examination nw jun 2018 nsc grade 11 2 demo

mathematics grade 11 exam papers and memos 2023 pdf - Sep 19 2022

web may 15 2023 0 looking for mathematics grade 11 exam papers and memos you've come to the right place auctfinder offers the latest official memorandum past paper and sample test from the department of basic education for free you'll also find a detailed explanation for each question together with answers and mark schemes

national senior certificate grade 11 national - Apr 14 2022

web may 29 2013 2 4 approximately 130 learners sent 11 or fewer messages therefore 30 learners sent more than 11 messages 100 18 75 160 30 30 learners

mathematics grade 11 maths exam papers and memos 2021 - Jul 18 2022

web sep 22 2021 mathematics grade 11 maths march control test 2022 common test exam question paper and memo term 1 mathematics maths grade 11 controlled tests exam test question papers and memos pdf notes and study guides 2023 2022 2021 2020 july 18 2022

maths exam papers and study material for grade 11 - Jun 16 2022

web sep 27 2023 i grade 11 2018 june maths paper 1 solutions j grade 11 2018 june maths paper 2 k grade 11 2018 june maths paper 2 solutions l grade 11 2018 november maths paper 1 m grade 11 2018 november maths paper 1 solutions n grade 11 2018 november maths paper 2 solutions o grade 11 2018 november maths paper

exam papers and memos edwardsmaths - Jun 28 2023

web oct 14 2021 grade 11 math june exam gauteng 2016 paper 1 3 file s june 7 2022 grade 11 math final exam nsc 2019 p2 3 file s november 18 2021 grade 11 math final exam nsc 2019 p1 3 file s november 18 2021 grade 11 math exemplar eastern cape november 2019 p2 7 file s october 14 2021 grade 11 math exemplar eastern cape

grade 11 hsb june exam and memo p1 edwardsmaths - Apr 26 2023

web apr 18 2019 grade 11 hsb june exam and memo p1 previous package recent uploads grade 11 hsb june exam and memo p1 past papers and memos assignments tests and more

2019 grade 11 exemplars national department of basic education - Jan 24 2023

web 2013 grade 11 exemplars 2017 grade 11 exemplars examinations grade 12 past exam papers and exemplars matric results curriculum curriculum assessment policy statements practical assessment tasks school based assessment mind the gap study guides learning and teaching support materials research emis

grade 11 mathematics mid year examination paper 2 june - May 16 2022

web june 2019 june examination 2012 grade 11 nw june math emis 6 7 2 in the diagram two unequal circles touch externally at p apb and mpn are double chords am isa diameter of the bigger circle bt is a tangent to the smaller circle at b mp is

joined and produced to

[mathematics grade 11 june 2023 exam question papers with the](#) - Jul 30 2023

web for grade 11 learners mathematics grade 11 is a core subject that often requires rigorous revision to grasp its intricate concepts by accessing the june 2023 exam question papers accompanied by the memorandums in a downloadable pdf format students stand to benefit immensely these are not just

june gr11 math crystal math past papers south africa - May 28 2023

web 2016 grade 11 mid year exam june math paper 1 memo 2016 grade 11 mid year exam june math paper 2 2016 grade 11 mid year exam june math paper 2 memo end change exam period below exemplar grade 11 finals grade 11 info crystal math co za crystal math about us contact us

junie 2018 crystal math - Mar 14 2022

web grade 11 mathematics paper 1 memorandum 8 pages memorandum mathematics paper 1 grade 11 2 gauteng department of education provincial examination mathematics paper 1 memorandum information a accuracy c a continued accuracy note if a candidate answered a question

exemplar gr11 math crystal math past papers south africa - Aug 31 2023

web 2020 grade 11 exemplar math paper 2 memo 2019 exemplar eastern cape 2019 grade 11 ec exemplar math paper 1 june grade 11 finals grade 11 info crystal math co za crystal math about us contact us become an online instructor share content with us past papers grade 8 grade 9 grade 10

[national department of basic education curriculum national](#) - Feb 10 2022

web national office address 222 struben street pretoria call centre 0800 202 933 callcentre db e gov za switchboard 012 357 3000 certification certification db e gov za

grade 11 common examination papers national department of - Jan 12 2022

web sep 2 2019 national office address 222 struben street pretoria call centre 0800 202 933 callcentre db e gov za switchboard 012 357 3000 certification certification db e gov za

grade 11 past papers memos mathematics maths 101 - Mar 26 2023

web dec 23 2021 are you in need of grade 11 past papers memos mathematics it can be a challenge to look for the latest question papers and their respective memorandums let alone study guides see the downloadable link below for your required past exam paper with the memorandum

[mathematics grade 11 past papers online lessons and revision notes](#) - Dec 23 2022

web mathematics grade 11 past papers online lessons and revision notes for 2021 2020 2019 2018 and 2017 downloadable papers are in pdf for february march may june august september and october november find all paper

june exemplar mathematics grade11 and pdf tysonmickelsen com - Aug 19 2022

web mar 27 2023 proclamation as skillfully as keenness of this june exemplar mathematics grade11 and pdf can be taken as competently as picked to act proofreading revising editing skills success in 20 minutes a day brady smith 2003 this comprehensive guide will prepare candidates for the test in all 50 states it includes four complete practice

june exemplar mathematics grade11 and cyberlab sutd edu sg - Feb 22 2023

web june exemplar mathematics grade11 and spot on mathematical literacy oct 06 2020 classroom mathematics may 05 2023 mathematics 2 japanese grade 11 jun 06 2023 this is the translation from the japanese textbook for the grade 11 course general mathematics it is

bulckefamily carnet de mots de passe a5 98 pages 010 dessin - Aug 04 2023

web mar 17 2020 carnet de mots de passe a5 98 pages 010 dessin coeurs oiseaux fleurs pdf epub carnet de mots de passe retrouvez plus facilement vos mots de passe un format compact 12 7 x 20 32 cm légèrement plus petit que le format a5 légèrement plus petit que a5 98 pages blanches 288 grandes cases à remplir avec un espace de

carnet de mots de passe a5 98 pages 010 dessin co - Aug 24 2022

web carnet de mots de passe carnet de mots de passe a5 98 pages 010 dessin co downloaded from ftp bonide com by guest avila brady carnet de mots de passe independently published carnet de mots de passe retrouvez plus facilement vos mots de passe un format compact 12 7 x 20 32 cm légèrement plus petit que le format a5

carnet de mots de passe a5 98 pages 010 dessin co joachim - Jul 03 2023

web merely said the carnet de mots de passe a5 98 pages 010 dessin co is universally compatible with any devices to read arduino a technical reference j m hughes 2016 05 16 rather than yet another project based workbook arduino a technical reference is a reference and handbook that thoroughly describes the electrical and performance aspects

carnet de mots de passe a5 98 pages 010 dessin co - Jul 23 2022

web carnet de mots de passe se souvenir carnet pour les mots de passe putain j ai encore oublié mon mot de passe mon carnet de codes secrets authenticité carnet mots de passe internet carnet de mots de passe carnet de mots de passe a5 98 pages 010 dessin co downloaded from analytics budgetbakers com by guest karlee briana

carnet de mots de passe a5 98 pages 010 dessin co 2022 - Mar 19 2022

web carnet de mots de passe a5 98 pages 010 dessin co this is likewise one of the factors by obtaining the soft documents of this carnet de mots de passe a5 98 pages 010 dessin co by online you might not require more grow old to spend to go to the books introduction as capably as search for them in some cases you likewise do not discover the

carnet de mots de passe a5 98 pages 010 dessin co book - Jun 02 2023

web merely said the carnet de mots de passe a5 98 pages 010 dessin co is universally compatible past any devices to read

touch and blindness morton a heller 2006 04 21 this book edited by well known leaders in the field is derived from the discussions presented by speakers at a conference held in 2002 and presents current research in [carnet de mots de passe a5 98 pages 010 dessin co pdf](#) - Jun 21 2022

web mar 5 2023 said the carnet de mots de passe a5 98 pages 010 dessin co is universally compatible bearing in mind any devices to read carnet de mots de passe mes mots mes mots de passe horko 2018 03 10 carnet de mots de passe retrouvez plus facilement vos mots de passe un format compact 12 7 x 20 32 cm légèrement plus petit que le [carnet de mots de passe a5 98 pages 010 dessin co pdf](#) - Jan 29 2023

web carnet de mots de passe a5 98 pages 010 dessin co in some cases you likewise get not discover the notice carnet de mots de passe a5 98 pages 010 dessin co that you are looking for it will enormously squander the time however below subsequently you visit this web page it will be for that reason utterly easy to get as skillfully as **carnet de mots de passe a5 98 pages 010 dessin co joachim** - Nov 26 2022

web carnet de mots de passe a5 98 pages 010 dessin co yeah reviewing a books carnet de mots de passe a5 98 pages 010 dessin co could build up your close contacts listings this is just one of the solutions for you to be successful as understood achievement does not recommend that you have astonishing points [amazon fr carnet mot de passe](#) - May 01 2023

web broché livraison à 0 01 jeudi 9 novembre dès 35 d achat de livres expédiés par amazon carnet de mots de passe humour de cocotte impression en couleur 104 pages à remplir avec répertoire alphabétique agenda mot de passe petit format discret carnet pour mot de passe internet de trucextraordinaire **carnet de mots de passe a5 98 pages 010 dessin co copy** - Feb 15 2022

web you may not be perplexed to enjoy every books collections carnet de mots de passe a5 98 pages 010 dessin co that we will categorically offer it is not as regards the costs its not quite what you dependence currently this carnet de mots de passe a5 98 pages 010 dessin co as one of the most operational sellers here will totally be in **carnet de mots de passe a5 98 pages 127 goodreads** - Oct 26 2022

web mar 8 2018 read reviews from the world s largest community for readers un format 12 7 x 20 32 cm légèrement plus petit que le format a5 légèrement plus petit carnet de mots de passe a5 98 pages 127 motifs watercolor by mes mots de passe horko [amazon fr carnet de mots de passe a5 98 pages 010 dessin](#) - Sep 05 2023

web noté 5 retrouvez carnet de mots de passe a5 98 pages 010 dessin coeurs oiseaux fleurs et des millions de livres en stock sur amazon fr achetez neuf ou d occasion

carnet de mots de passe a5 98 pages 010 dessin co pdf - May 21 2022

web mot de passe carnet de mots de passeretrouver enfin vos mots de passe sans difficulté grâce à ce carnet compact facile à glisser dans un sac ou à ranger dans votre bibliothèque 12 7 x

pour ne plus oublier ses mots de passe feuilles à imprimer - Apr 19 2022

web voici une feuille à imprimer pour garder ses mots de passe très utile trouvée sur le site de melusinehouse voici une nouvelle feuille à imprimer pour indiquer ses mots de passe trouvés sur le site de lesetatsdamedecesame et voici un [carnet de mots de passe a5 98 pages 010 dessin c](#) - Oct 06 2023

web carnet de mots de passe retrouvez plus facilement vos mots de passe un format 12 7 x 20 32 carnet de mots de passe a5 98 pages 010 dessin coeurs oiseaux fleurs by mes mots de passe horko goodreads *carnet de mots de passe a5 98 pages 010 dessin co* 2023 - Sep 24 2022

web carnet de mots de passe a5 98 pages 010 dessin co 1 carnet de mots de passe a5 98 pages 010 dessin co carnet de mots de passe je veille sur tes mots de passe carnet mots de pass *carnet de mots de passe a5 98 pages 010 dessin co charles* - Mar 31 2023

web carnet de mots de passe a5 98 pages 010 dessin co is within reach in our digital library an online entry to it is set as public hence you can download it instantly

carnet ne plus oublier ses mots de passe nos créas - Dec 28 2022

web mar 9 2016 carnet ne plus oublier ses mots de passe créer un carnet pour noter les mots de passe c est une idée qui me trottait depuis longtemps dans la tête mais sans réussir vraiment à la formaliser j ai déjà testé quelques carnets papeterie répertoire ou pas et fichiers numériques mais sans que cela me satisfasse pleinement

carnet de mots de passe a5 98 pages 010 dessin co pdf pdf - Feb 27 2023

web may 26 2023 carnet de mots de passe a5 98 pages 010 dessin co pdf thank you extremely much for downloading carnet de mots de passe a5 98 pages 010 dessin co pdf most likely you have knowledge that people have look numerous time for their favorite books considering this carnet de mots de passe a5 98 pages 010 dessin co pdf but

pengumuman osn sma tingkat kabupaten 2014 - Mar 09 2023

web terbit september 2020 guepedia com sinopsis olimpiade sains nasional osn merupakan ajang kompetisi yang diperuntukan bagi siswa siswi dalam tingkat sd smp

pengumuman osn smp provinsi 2014 lia erc gov ph - Oct 24 2021

web pengumuman osn sma tingkat kabupaten 2014 pengumuman hasil seleksi olimpiade sains nasional osn hasil seleksi olimpiade sains smp tingkat provinsi 2014

pengumuman osn sma tingkat kabupaten 2014 darelova - Dec 06 2022

web may 4 2023 peserta dapat memeriksa pengumuman hasil osn k sma 2023 melalui pranala berikut

İstanbul e sınav merkezi osym gov tr - Mar 29 2022

web aug 8 2022 2022 Ösym sınav takviminde güncelleme Ösym yönetim kurulu tarafından 2022 kpss lisans sınavının genel yetenek genel kültür ve eğitim bilimleri

pengumuman osn sma kabupaten 2014 prahivos theprakarsa org - Oct 04 2022

web mar 20 2014 dari hasil seleksi yang dilaksanakan tanggal 8 maret 2014 tingkat kabupaten dan kota di kalimantan tengah ditetapkan sejumlah siswa terbaik

Ösym kpss ön lisans sınav sonuçları 2022 ekranı kpss ön - Jan 27 2022

web jul 18 2022 yks sonuçları açıklandı temel yeterlilik alan yeterlilik ve yabancı dil testi olmak üzere üç farklı oturumda gerçekleştirilen sınavın ardından gözlerin çevrildiği 2022

pdf pengumuman osn sma kabupaten 2014 - Feb 08 2023

web 2014 soal osn matematika 2014 sma tingkat kabupaten kota folder osn jadwal osn smp tahun 2018 tingkat kabupaten informasi olimpiade sains nasional

pengumuman peserta olimpiade sains nasional osn sma - Aug 14 2023

web jul 2 2014 olimpiade sains nasional osn jenjang sekolah menengah atas sma akan digelar di mataram nusa tenggara barat pada tanggal 1 7 september 2014

pengumuman osn smp provinsi 2014 - Apr 29 2022

web türkiye cumhuriyeti Ölçme seçme ve yerleştirme merkezi başkanlığı kurumsal web sitesi osym gov tr Ösym

pengumuman osn sma tingkat kabupaten 2014 - Jan 07 2023

web osn sma tingkat kabupaten serentak secara nasional akan dilaksanakan tanggal 1 2 3 april 2014 pengumuman osk sma 2014 dilihat dimana ya siswa siswi terbaik dari

yks sonuçları açıklandı tc kimlik numarası ile 2022 - Dec 26 2021

web sma tingkat kabupaten pengumuman hasil olimpiade sains nasional osn 2014 soal osn matematika smp tingkat kabupaten kota tahun 2014 soal soal osn sma

hasil seleksi olimpiade sains osn smp tingkat kab kota - Sep 03 2022

web apr 29 2014 posted by ivanjoannes olimpiade sains nasional osn jenjang sekolah menengah pertama smp akan digelar di padang sumatera barat pada 15 21 mei

olimpiade sains nasional puspresnas kemdikbud - Jul 13 2023

web lathif ma arif daftar peserta osn sma tingkat nasional pembahasan osn matematika smp 2014 tingkat kabupaten soal olimpiade sains nasional sma unnair 2014 seri 1

2022 Ösym sınav takviminde güncelleme 08 08 2022 - Feb 25 2022

web nov 3 2022 son dakika eğitim haberleri Üniversitelerin 2 yıllık bölümlerinden mezun olan adaylara yönelik düzenlenen 2022 kpss ön lisans sonuçları bekleniyordu Ösym

1994 öss sınav sonuçları milliyet gazete arşivi - May 31 2022

web panduan olimpiade sains nasional dan olimpiade pengumuman osn smp 2013 jawa timur terbaru mei 2018 soal olimpiade ipa smp lengkap dengan

pengumuman osn k sma 2023 dan link cek hasil lomba - Nov 05 2022

web lombok ntb 1 7 sept 2014 pengumuman hasil osn sma kabupaten grobogan pdf download nama nama peraih medali emas perak dan perunggu dalam pembahasan

pengumuman osn sma tingkat kabupaten 2014 - Nov 24 2021

web hasil seleksi olimpiade sains smp tingkat provinsi 2014 pengumuman hasil seleksi osn smp tingkat kab kota 2014

pengumuman pemenang olimpiade sains nasional 2014

pengumuman osn sma tingkat kabupaten 2014 - Sep 22 2021

kabar prestasi puspresnas kemdikbud - May 11 2023

web pengumuman osn sma tingkat kabupaten 2014 pengumuman osn sma tingkat kabupaten 2014 lathif ma arif daftar peserta osn sma tingkat nasional

pengumuman peserta olimpiade sains nasional osn tahun - Aug 02 2022

web web apr 28 2014 olimpiade sains nasional osn jenjang sekolah menengah pertama smp akan digelar di padang sumatera barat pada 15 21 mei 2014 sebelumnya seleksi tingkat

pengumuman osn sma tingkat kabupaten 2014 - Jun 12 2023

web may 2 2023 pengumuman peserta lolos seleksi olimpiade sains nasional tingkat kabupaten kota osn k jenjang sma ma tahun 2023 balai pengembangan talenta

free pengumuman osn smp provinsi 2014 pdf university of - Jul 01 2022

web 30 07 1994 anadolu Üniversitesi rektörlüğünden Önkayıt ve yetenek sinaviyla Öğrenci alınacaktır Üniversitemiz devlet konservatuari nın

pengumuman osn sma tingkat kabupaten 2014 liululu - Apr 10 2023

web informasi olimpiade sains nasional osn sma tingkat soal olimpiade osn ipa sd tingkat nasional tahun 2014 jadwal seleksi olimpiade sains tahun