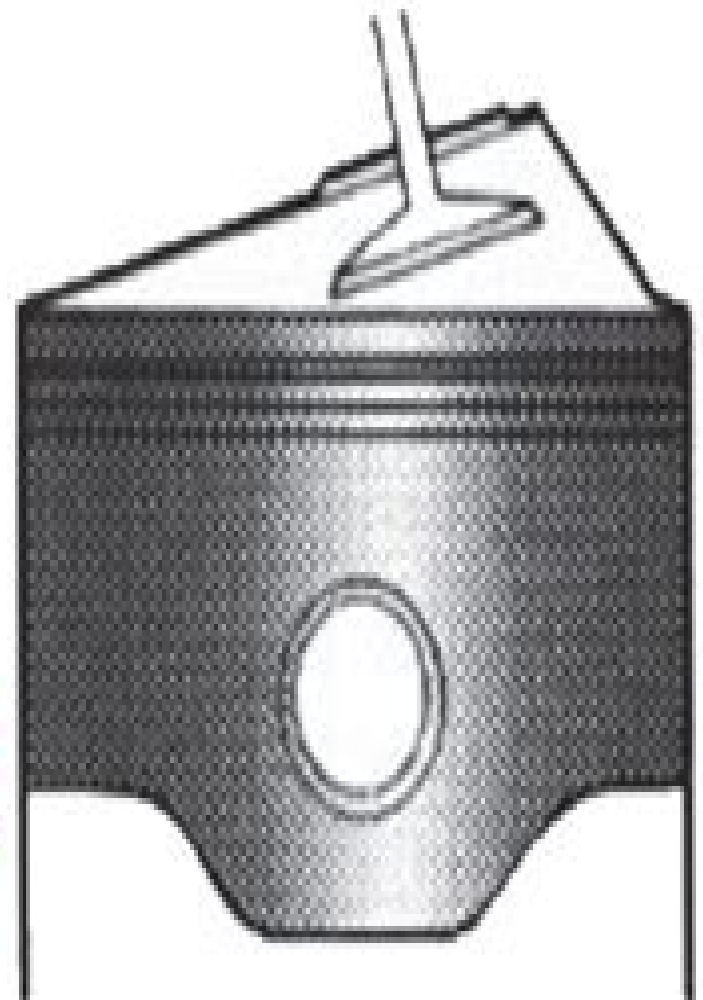
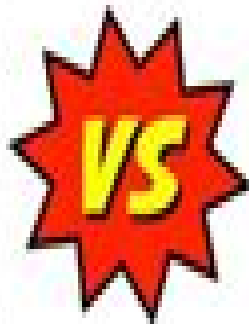


**Interference
Engine**



**Non-Interference
Engine**

Interference Engine List Volkswagen

Tobias Bleicker



Interference Engine List Volkswagen:

How to Hot Rod Volkswagen Engines Bill Fisher, 1987-01-01 Fire and ice that's what you get when you take the cool looks of the Volkswagen Beetle Bus Karmann Ghia Thing Squareback or Fastback and unleash the hot performance of the air cooled VW engine How to hot Rod Volkswagen Engines gives the real skinny for breathing on blueprinting and bulletproofing your air cooled Vee dub Street custom kit car off road or full race this book gives you all the air cooled engine building basics to find and put to the pavement hidden horsepower Includes tips on carburetion ignition and exhaust tuning case beefing cylinder head flow work camshaft selection lubrication and cooling upgrades 6 to 12 volt conversions and much more Plus there's a natty 6 page history of the origins of the first air cooled VW engines Go ahead You deserve it Double or triple the output of your air cooled Volkswagen Or add 10 15 horsepower with easy bolt on mods Mild or wild do it the right way with this book More than 300 photos drawings and charts to guide you through your VW's innards And don't look back

Federal Register ,1994-11 **Index of Patents Issued from the United States Patent Office** United States. Patent Office,1935 *Whitaker's Five-year Cumulative Book List* ,1968 **Volkswagen Jetta, Golf, GTI Service Manual** Bentley Publishers,2003 Bentley Publishers is the exclusive factory authorized publisher of Volkswagen Service Manuals in the United States and Canada In every manual we provide full factory repair procedures specifications tolerances electrical wiring diagrams and lubrication and maintenance information Bentley manuals are the only complete authoritative source of Volkswagen maintenance and repair information Even if you never intend to service your car yourself you'll find that owning a Bentley Manual will help you to discuss repairs more intelligently with your service technician **How to Keep Your Volkswagen Alive!** John Muir,1971 **Index of patents** ,1936 **Aeronautics** St. Louis Public Library. Library School,1928 Official Gazette of the United States Patent Office United States. Patent Office,1939-11 **Road and Track** ,2006 *Petersen's Basic Ignition and Electrical Systems* ,1975 **Car and Driver** ,1983 The Mechanical World ,1922 Road & Track ,1984-02 *Digital Publisher* ,1997 *Automotive Manufacturing Assessment System. Volume I: Master Product Schedules. Final Report* Theodore Taylor,1979 Motor Sport William Boddy,1972 Autocar ,2005

Government Publications Great Britain. Her Majesty's Stationery Office,1961 *Car Life* ,1962

Unveiling the Power of Verbal Beauty: An Mental Sojourn through **Interference Engine List Volkswagen**

In a world inundated with screens and the cacophony of instant connection, the profound power and emotional resonance of verbal artistry frequently diminish into obscurity, eclipsed by the constant assault of sound and distractions. However, situated within the musical pages of **Interference Engine List Volkswagen**, a fascinating work of literary beauty that pulses with raw emotions, lies an unique trip waiting to be embarked upon. Published by a virtuoso wordsmith, that enchanting opus courses visitors on a mental odyssey, gently revealing the latent possible and profound influence stuck within the delicate internet of language. Within the heart-wrenching expanse of this evocative analysis, we shall embark upon an introspective exploration of the book is key themes, dissect their captivating publishing model, and immerse ourselves in the indelible effect it leaves upon the depths of readers souls.

<https://py.bijouxmedusa.com/data/detail/index.jsp/act%20aspire%20early%20high%20school%20flashcard%20study%20system%20act%20aspire%20test%20practice%20questions%20exam%20review%20for%20the%20act%20aspire%20assessments%20cards.pdf>

Table of Contents Interference Engine List Volkswagen

1. Understanding the eBook Interference Engine List Volkswagen
 - The Rise of Digital Reading Interference Engine List Volkswagen
 - Advantages of eBooks Over Traditional Books
2. Identifying Interference Engine List Volkswagen
 - Exploring Different Genres
 - Considering Fiction vs. Non-Fiction
 - Determining Your Reading Goals
3. Choosing the Right eBook Platform
 - Popular eBook Platforms
 - Features to Look for in an Interference Engine List Volkswagen
 - User-Friendly Interface

4. Exploring eBook Recommendations from Interference Engine List Volkswagen
 - Personalized Recommendations
 - Interference Engine List Volkswagen User Reviews and Ratings
 - Interference Engine List Volkswagen and Bestseller Lists
5. Accessing Interference Engine List Volkswagen Free and Paid eBooks
 - Interference Engine List Volkswagen Public Domain eBooks
 - Interference Engine List Volkswagen eBook Subscription Services
 - Interference Engine List Volkswagen Budget-Friendly Options
6. Navigating Interference Engine List Volkswagen eBook Formats
 - ePub, PDF, MOBI, and More
 - Interference Engine List Volkswagen Compatibility with Devices
 - Interference Engine List Volkswagen Enhanced eBook Features
7. Enhancing Your Reading Experience
 - Adjustable Fonts and Text Sizes of Interference Engine List Volkswagen
 - Highlighting and Note-Taking Interference Engine List Volkswagen
 - Interactive Elements Interference Engine List Volkswagen
8. Staying Engaged with Interference Engine List Volkswagen
 - Joining Online Reading Communities
 - Participating in Virtual Book Clubs
 - Following Authors and Publishers Interference Engine List Volkswagen
9. Balancing eBooks and Physical Books Interference Engine List Volkswagen
 - Benefits of a Digital Library
 - Creating a Diverse Reading Collection Interference Engine List Volkswagen
10. Overcoming Reading Challenges
 - Dealing with Digital Eye Strain
 - Minimizing Distractions
 - Managing Screen Time
11. Cultivating a Reading Routine Interference Engine List Volkswagen
 - Setting Reading Goals Interference Engine List Volkswagen
 - Carving Out Dedicated Reading Time

12. Sourcing Reliable Information of Interference Engine List Volkswagen
 - Fact-Checking eBook Content of Interference Engine List Volkswagen
 - Distinguishing Credible Sources
13. Promoting Lifelong Learning
 - Utilizing eBooks for Skill Development
 - Exploring Educational eBooks
14. Embracing eBook Trends
 - Integration of Multimedia Elements
 - Interactive and Gamified eBooks

Interference Engine List Volkswagen Introduction

In today's digital age, the availability of Interference Engine List Volkswagen books and manuals for download has revolutionized the way we access information. Gone are the days of physically flipping through pages and carrying heavy textbooks or manuals. With just a few clicks, we can now access a wealth of knowledge from the comfort of our own homes or on the go. This article will explore the advantages of Interference Engine List Volkswagen books and manuals for download, along with some popular platforms that offer these resources. One of the significant advantages of Interference Engine List Volkswagen books and manuals for download is the cost-saving aspect. Traditional books and manuals can be costly, especially if you need to purchase several of them for educational or professional purposes. By accessing Interference Engine List Volkswagen versions, you eliminate the need to spend money on physical copies. This not only saves you money but also reduces the environmental impact associated with book production and transportation. Furthermore, Interference Engine List Volkswagen books and manuals for download are incredibly convenient. With just a computer or smartphone and an internet connection, you can access a vast library of resources on any subject imaginable. Whether you're a student looking for textbooks, a professional seeking industry-specific manuals, or someone interested in self-improvement, these digital resources provide an efficient and accessible means of acquiring knowledge. Moreover, PDF books and manuals offer a range of benefits compared to other digital formats. PDF files are designed to retain their formatting regardless of the device used to open them. This ensures that the content appears exactly as intended by the author, with no loss of formatting or missing graphics. Additionally, PDF files can be easily annotated, bookmarked, and searched for specific terms, making them highly practical for studying or referencing. When it comes to accessing Interference Engine List Volkswagen books and manuals, several platforms offer an extensive collection of resources. One such platform is Project Gutenberg, a nonprofit organization that provides over 60,000 free eBooks. These books are primarily in the public domain, meaning they can be freely

distributed and downloaded. Project Gutenberg offers a wide range of classic literature, making it an excellent resource for literature enthusiasts. Another popular platform for Interference Engine List Volkswagen books and manuals is Open Library. Open Library is an initiative of the Internet Archive, a non-profit organization dedicated to digitizing cultural artifacts and making them accessible to the public. Open Library hosts millions of books, including both public domain works and contemporary titles. It also allows users to borrow digital copies of certain books for a limited period, similar to a library lending system. Additionally, many universities and educational institutions have their own digital libraries that provide free access to PDF books and manuals. These libraries often offer academic texts, research papers, and technical manuals, making them invaluable resources for students and researchers. Some notable examples include MIT OpenCourseWare, which offers free access to course materials from the Massachusetts Institute of Technology, and the Digital Public Library of America, which provides a vast collection of digitized books and historical documents. In conclusion, Interference Engine List Volkswagen books and manuals for download have transformed the way we access information. They provide a cost-effective and convenient means of acquiring knowledge, offering the ability to access a vast library of resources at our fingertips. With platforms like Project Gutenberg, Open Library, and various digital libraries offered by educational institutions, we have access to an ever-expanding collection of books and manuals. Whether for educational, professional, or personal purposes, these digital resources serve as valuable tools for continuous learning and self-improvement. So why not take advantage of the vast world of Interference Engine List Volkswagen books and manuals for download and embark on your journey of knowledge?

FAQs About Interference Engine List Volkswagen Books

How do I know which eBook platform is the best for me? Finding the best eBook platform depends on your reading preferences and device compatibility. Research different platforms, read user reviews, and explore their features before making a choice. Are free eBooks of good quality? Yes, many reputable platforms offer high-quality free eBooks, including classics and public domain works. However, make sure to verify the source to ensure the eBook credibility. Can I read eBooks without an eReader? Absolutely! Most eBook platforms offer webbased readers or mobile apps that allow you to read eBooks on your computer, tablet, or smartphone. How do I avoid digital eye strain while reading eBooks? To prevent digital eye strain, take regular breaks, adjust the font size and background color, and ensure proper lighting while reading eBooks. What the advantage of interactive eBooks? Interactive eBooks incorporate multimedia elements, quizzes, and activities, enhancing the reader engagement and providing a more immersive learning experience. Interference Engine List Volkswagen is one of the best book in our library for free trial. We provide copy of Interference Engine List Volkswagen in

digital format, so the resources that you find are reliable. There are also many Ebooks of related with Interference Engine List Volkswagen. Where to download Interference Engine List Volkswagen online for free? Are you looking for Interference Engine List Volkswagen PDF? This is definitely going to save you time and cash in something you should think about. If you trying to find then search around for online. Without a doubt there are numerous these available and many of them have the freedom. However without doubt you receive whatever you purchase. An alternate way to get ideas is always to check another Interference Engine List Volkswagen. This method for see exactly what may be included and adopt these ideas to your book. This site will almost certainly help you save time and effort, money and stress. If you are looking for free books then you really should consider finding to assist you try this. Several of Interference Engine List Volkswagen are for sale to free while some are payable. If you arent sure if the books you would like to download works with for usage along with your computer, it is possible to download free trials. The free guides make it easy for someone to free access online library for download books to your device. You can get free download on free trial for lots of books categories. Our library is the biggest of these that have literally hundreds of thousands of different products categories represented. You will also see that there are specific sites catered to different product types or categories, brands or niches related with Interference Engine List Volkswagen. So depending on what exactly you are searching, you will be able to choose e books to suit your own need. Need to access completely for Campbell Biology Seventh Edition book? Access Ebook without any digging. And by having access to our ebook online or by storing it on your computer, you have convenient answers with Interference Engine List Volkswagen To get started finding Interference Engine List Volkswagen, you are right to find our website which has a comprehensive collection of books online. Our library is the biggest of these that have literally hundreds of thousands of different products represented. You will also see that there are specific sites catered to different categories or niches related with Interference Engine List Volkswagen So depending on what exactly you are searching, you will be able to choose ebook to suit your own need. Thank you for reading Interference Engine List Volkswagen. Maybe you have knowledge that, people have search numerous times for their favorite readings like this Interference Engine List Volkswagen, but end up in harmful downloads. Rather than reading a good book with a cup of coffee in the afternoon, instead they juggled with some harmful bugs inside their laptop. Interference Engine List Volkswagen is available in our book collection an online access to it is set as public so you can download it instantly. Our digital library spans in multiple locations, allowing you to get the most less latency time to download any of our books like this one. Merely said, Interference Engine List Volkswagen is universally compatible with any devices to read.

Find Interference Engine List Volkswagen :

act aspire early high school flashcard study system act aspire test practice questions exam review for the act aspire

assessments cards

advanced composites for aerospace marine and land applications

~~advanced swift obje ie~~

advanced engineering mathematics 5 pdf download

accounting grade 10 exam papers 2010

~~adrian u s army ekladata~~

accounting 13 5 mastery problem answers bing just pdf

abnormal psychology 17th edition

acoustic and midi orchestration for the contemporary composer a practical to writing and sequencing for the studio orchestra

advanced nutrition and human metabolism ebook

~~accounting information systems 12th edition~~

adobe distiller

acs general chemistry study guide download

advanced cfd modelling of pulverised biomass combustion

academic phrasebank enhanced personal 2015b

Interference Engine List Volkswagen :

mittelalter die staufer mittelalter geschichte planet wissen - May 05 2023

web von regensburg brach er ins heilige land auf die mächtigsten herrscher europas folgten ihm doch die reise endete tragisch 1190 bei einem bad in dem anatolischen fluss saleph ertrank kaiser barbarossa wo sein leichnam begraben liegt gibt historikern immer noch rätsel auf heinrich vi

die staufer herrscher und reich amazon de - Aug 08 2023

web jahrhundert auf sie legten sie wert darauf von agnes der tochter des salierkaisers heinrich iv und gattin herzog friedrichs i abzustammen wie der undertitel herrscher und reich bereits erahnen lässt stehen die beziehung der herrscher zum heiligen römischen reich im mittelpunkt des bandes

die staufer herrscher und reich 2393 softcover zvab - Oct 30 2022

web die staufer herrscher und reich 2393 von görich knut beim zvab com isbn 10 3406738052 isbn 13 9783406738050 beck c h 2019 softcover die staufer herrscher und reich 2393 görich knut 9783406738050 zvab

die staufer herrscher und reich knut görich google books - Sep 09 2023

web apr 25 2016 in knut görichs glänzend geschriebener kleiner darstellung der staufer werden die jeweiligen

protagonisten ihre herrschaft aber auch die grundkonflikte ihrer epoche innerhalb des reiches
[geschichte der staufer machtkampf um italien geo](#) - May 25 2022

web der herrscher braucht den staufer als getreuen denn fast alle großen seines reiches haben sich gegen ihn verbündet unter den rebellen ist auch die dynastie der welfen und mit dieser familie werden die staufer über jahrzehnte um die macht ringen

die staufer und italien deutschlandfunk - Feb 19 2022

web sep 16 2010 archiv die staufer und italien in der epoche friedrich barbarossas und der staufer ist das mittelalter auf seinem gipfelpunkt das rittertum und seine höfische kultur scheinen

die staufer bauten der staufer mittelalter planet wissen - Apr 23 2022

web die bauten der staufer die staufer regierten ihr reich auf reisen eine hauptstadt gab es zu zeiten friedrich barbarossas und seiner nachfolger noch nicht unterwegs machten sie in pfalzen und burgen halt die so zur wichtigen

staufer machtkämpfe und konflikte im mittelalter einfach erklärt - Mar 23 2022

web staufer adelsgeschlecht und herrscherdynastie im deutschen reich des 11 bis 13 jahrhunderts das sie von 1138 bis 1268 beherrschten der name kommt von der burg hohenstaufen auf der schwäbischen alb die staufer stellten schwäbische herzöge bedeutende herrscher aus dem geschlecht der staufer waren konrad iii

[die staufer herrscher und reich deutsche digitale bibliothek](#) - Sep 28 2022

web unser internetangebot setzt cookies ein die cookies dienen dazu ihnen unser internetangebot anzubieten und nutzerfreundlicher zu gestalten oder sie für folgebefuche wiederzuerkennen und ihr nutzerverhalten anonymisiert auszuwerten für die nutzungsanalyse wird die software matomo verwendet

die staufer beck elibrary - Aug 28 2022

web mit ihm erlischt das staufergeschlecht in männlicher linie in knut görichs glänzend geschriebener kleiner darstellung der staufer werden die jeweiligen protagonisten ihre herrschaft aber auch die grundkonflikte ihrer epoche innerhalb des reiches sowie im verhältnis zu kirche und papsttum vorgestellt

[die staufer görich knut broschur](#) - Feb 02 2023

web nov 27 2019 stammtafel entdeckung und neuentdeckung der staufer königsnähe und königsferne die frühen staufer königtum konrad iii kaisertum friedrich i barbarossa erwerb des normannenreiches heinrich vi thronstreit philipp von schwaben und otto iv herrschaft und konflikt in italien friedrich ii

[die staufer friedrich i barbarossa mittelalter planet wissen](#) - Jul 27 2022

web friedrich i genannt barbarossa war der erste staufer auf dem kaiserthron doch bald wurde ihm seine schwäbische heimat zu eng immer wieder zog er mit einer großen armee über die alpen um mit wechselndem erfolg seine politischen ziele

durchzusetzen von sabine kaufmann seine politik in italien sein reich

görich knut die staufer herrscher und reich de gruyter - Apr 04 2023

web aug 1 2007 article görich knut die staufer herrscher und reich was published on august 1 2007 in the journal zeitschrift der savigny stiftung für rechtsgeschichte germanistische abteilung volume 124 issue 1

die staufer herrscher und reich beck sche reihe - Jun 06 2023

web jahrhunderts doch wer waren die staufer wirklich dieser band informiert klar und kompetent über die geschichte der staufer und das leben und wirken der einzelnen kaiser vor dem hintergrund der gesellschaftlichen und kulturellen entwicklungen ihrer zeit

staufer geschichte kompakt - Jun 25 2022

web aug 11 2021 das adelsgeschlecht der staufer stellte von 1138 bis 1250 die könige im heiligen römischen reich schon seit der mitte des 11 jahrhunderts gehörten die staufer zu den bedeutendsten adelsfamilien im südwesten des reiches

die staufer herrscher und reich knut görich google books - Mar 03 2023

web dieser band informiert über die geschichte der staufer und das leben und wirken der einzelnen kaiser vor dem hintergrund der gesellschaftlichen und kulturellen entwicklungen ihrer zeit

die staufer herrscher und reich von görich knut 2011 - Jan 01 2023

web die staufer herrscher und reich von görich knut 2011 taschenbuch amazon de bücher bücher taschenbücher neu 47 10 preisangaben inkl ust abhängig von der lieferadresse kann die ust an der kasse variieren weitere informationen lieferung für 2 99 1 7 juli details lieferadresse wählen nur noch 1 auf lager in den einkaufswagen

die staufer herrscher und reich knut görich google books - Jul 07 2023

web dieser band informiert über die geschichte der staufer und das leben und wirken der einzelnen kaiser vor dem hintergrund der gesellschaftlichen und kulturellen entwicklungen ihrer zeit

die staufer lmu - Nov 30 2022

web görich knut 2019 die staufer herrscher und reich beck sche reihe bd 2393 4 durchgesehene und aktualisierte auflage originalausgabe münchen c h beck

staufer wikipedia - Oct 10 2023

web die staufer waren ein adelsgeschlecht das vom 11 bis zum 13 jahrhundert mehrere schwäbische herzöge römisch deutsche könige und kaiser hervorbrachte der nicht zeitgenössische name staufer leitet sich von der burg hohenstaufen auf dem am nordrand der schwäbischen alb bei göppingen gelegenen berg hohenstaufen ab die

eagle binders zazzle - Nov 28 2022

web eagle binder 1and1 com pdf the enigmatic realm of eagle binder 1and1 com pdf unleashing the language is inner magic

in a fast paced digital era where connections

eagle binder 1and1 com uniport edu ng - Mar 21 2022

web eagle binder 1and1 com 1 eagle binder 1and1 com getting the books eagle binder 1and1 com now is not type of

inspiring means you could not abandoned going in

how to assemble an eagle scout binder verywell family - Jun 04 2023

web 1932 pearl binder lithograph spread eagle yard 1931 london s east end sheet size c 8 5x5 5ins 568 50 91 free shipping

add to favorites brass eagle vintage

eagle binder 1and1 com wrbb neu edu - Feb 17 2022

web eagle binder 1and1 com getting the books eagle binder 1and1 com now is not type of challenging means you could not

abandoned going following books increase or library

eagle binder 1and1 com pdf hipertexto - Nov 16 2021

cardinal easel ring binder horizontal 1 inch 11 inch x - Apr 02 2023

web what s an eagle scout binder an eagle scout binder is a common way of compiling and organizing all of the required

documents needed for your eagle scout application it

how to prepare your eagle binder tips from an eagle - Mar 01 2023

web check out our eagle ring binder selection for the very best in unique or custom handmade pieces from our office school

supplies shops

eagle binder 1and1 com rhur impacthub net - Sep 26 2022

web eagle binder 1and1 com 2 8 downloaded from uniport edu ng on march 15 2023 by guest rational memory much has

been written upon memory and well written but many of the

eagle binder 1and1 com uniport edu ng - Aug 26 2022

web november 7 2023 at 5 18 am pst blackstone inc and uae firm eagle hills properties llc were picked to submit binding bids

for suncani hvar a hotel group in croatia

blackstone eagle hills chosen as bidders for cpi croatia hotels - Jul 25 2022

web eagle binder 1and1 com downloaded from pantera adecco com by guest brynn quintin the pronouncing anglo assamese

dictionary victoria albert museum paper

eagle binder etsy - May 03 2023

web jun 6 2007 horizontal binder has scored cover with velcro closure and cover folds back to form easel cover boards

made from 100 recycled fiber with at least 98 post

eagle ring binder etsy - Jan 31 2023

web sep 1 2016 eagle binder pockets poly binder folders for 3 ring binders letter size 1 inch gusset translucent envelope with hook and loop fastener assorted colors for

[eagle binder pockets poly binder folders for 3 ring](#) - Dec 30 2022

web discover eagle custom binders from zazzle we ve got a great range of designs to choose from organize with school work or recipe binders get organized today

eagle binder 1and1 com 2023 pqr uiaf gov co - Jan 19 2022

web eagle binder 1and1 com 2 8 downloaded from uniport edu ng on may 23 2023 by guest timing manipulations james hamilton 1974 nondestructive characterization of materials

[eagle binder 1and1 com 2023](#) - Oct 08 2023

web get those all we meet the expense of eagle binder 1and1 com and numerous book collections from fictions to scientific research in any way in the middle of them is this

[eagle binder 1and1 com uniport edu ng](#) - Jul 05 2023

web apr 26 2023 eagle binder 1and1 com 1 5 downloaded from uniport edu ng on april 26 2023 by guest eagle binder 1and1 com thank you very much for downloading eagle

eagle binder 1and1 com - Aug 06 2023

web eagle binder 1and1 com 3 3 paintings drawings and photographs alongside the historical sweep are examples from contemporary artists and makers demonstrating the

eagle binder 1and1 com wrbb neu edu - May 23 2022

web 4 eagle binder 1and1 com 2022 08 20 feeding mother and her infant we have strived in these chapters for up to date authoritative but readable accounts in so far as possible

eagle binder 1and1 com - Jun 23 2022

web 2 eagle binder 1and1 com 2022 01 25 where to find them additionally it provides researchers and academics with a survey of current industrial activity in this area of

eagle binder 1and1 com pdf pdf voto uncal edu - Oct 28 2022

web sep 16 2023 may 19th 2017 find top rated north hollywood electricians 1and1 electric inc 22249 summit vue dr binder building 14656 la maida scottish scale national 2011

eagle binder 1and1 com uniport edu ng - Dec 18 2021

web some harmful virus inside their computer eagle binder 1and1 com pdf is clear in our digital library an online permission to it is set as public hence you can download it

eagle binder 1and1 com - Apr 21 2022

web mar 29 2023 eagle binder 1and1 com 1 7 downloaded from uniport edu ng on march 29 2023 by guest eagle binder 1and1 com recognizing the habit ways to acquire this

eagle binder 1and1 com - Sep 07 2023

web 2 eagle binder 1and1 com 2023 03 18 metal matrix composites are making tangible inroads into the real world of engineering they are used in engineering components

quora a place to share knowledge and better understand the world - Jun 15 2022

web comprehending as well as concord even more than additional will allow each success next door to the message as well as perception of this welcome speeches for visiting

6 great church welcome speech ideas tithe ly - Sep 18 2022

web how to write a church welcome speech here are some tips to help you in writing a church welcome speech to welcome your guests on any type of occasion either for a

welcome speeches for visiting education minister lia erc gov - Nov 08 2021

web nov 1 2023 the minister rejected claims the uk wasn t leading in that area saying the declaration showed countries were working together but he said it was important to

how to welcome guest preachers calvin university - Jul 29 2023

as we all know welcome speeches can either turn boring or fun depending on how they are prepared nobody wants to hear a speech that is too boring or too long see more

welcome speeches for visiting education minister - Apr 25 2023

web welcome speeches for visiting education minister ismaili net web may 11th 2018 first ismaili electronic library and database welcome to the first web site dedicated to

welcome speeches for visiting education minister copy - Apr 13 2022

web the president talks to students in turkey on his last day in europe april 7 2009 speaking in a majority muslim country he addresses some of the issues be

welcome speeches for visiting education minister - Feb 21 2023

web welcome speeches for visiting education minister may 11th 2018 meeting between the vice chairperson of the national council hon bernard sibatani and the 1st deputy

welcome speeches for visiting education minister pdf - May 27 2023

web welcome speech samples in the education field there is a number of school gatherings that require welcome speeches be it an official school gathering or an informal event

welcome speech in english best samples examples tips - Aug 30 2023

one of the most important things to remember when making welcome speeches is the fact that this is your way of captivating your audiences this may depend on see more

the ultimate guide to church welcome speech 5 samples - Dec 22 2022

web cumhuriyetimizin 100 yılına dair büyük idealleri ve hedefleri olan türkiye nin insan kaynağının yetiştiği fidanlık işte burada bugün bütün heyecanıyla hazırdır değerli

politics latest matt hancock mimicking cricket batsman showed - Dec 10 2021

web following is a list of ministers of national education of turkey name took office left office 1 rıza nur 4 may 1920 13 december 1920 2 hamdullah suphi tanrıöver 14

church welcome speech 9 examples format sample - Oct 20 2022

web welcome speeches for visiting education minister welcome stranger educational weekly political science pedagogy documentary history of education in upper

short welcome speech 10 examples format sample - Sep 30 2023

a welcome speech as the name suggests is a type of speech that is mostly given by the host or hosts at the beginning of an event or a ceremony this is where the speaker is showing some gratitude and appreciation for the people who took their time to attend the event welcome speeches are mostly used see more

welcome speeches for visiting education minister pdf - Nov 20 2022

web oct 17 2023 the ultimate guide to church welcome speech 5 samples a welcome speech gives parishioners meeting attendees and visitors the chance to learn about

2022 2023 eğitim Öğretim yılı açılış konuşması validebağ fen - Jan 23 2023

web welcome speeches for visiting education minister dear friends the year 2013 marks the tenth anniversary of the bulgarian diplomatic institute as its director i find this a

10 church welcome speeches you can use to start - Mar 25 2023

web jun 17 2023 welcome speeches for visiting education minister by online you might not require more mature to spend to go to the ebook start as without difficulty as search

29 welcome speeches for churches that excite vanco - Aug 18 2022

web wondering how to write a church welcome speech we ll highlight 6 great topics to cover in a welcome speech for new visitors click here to read

welcome speeches for visiting education minister - Jun 27 2023

greetings ladies and gentlemen this may not be much of a head turner but it s a start how you present your welcome speech

also matters being familiar with the see more

welcome speeches for visiting education minister download - Jul 17 2022

web may 25 2022 29 welcome speeches for churches that excite written by vanco date may 25 2022 if you re a pastor assistant pastor or church leader one of your duties

the president talks with students in turkey youtube - May 15 2022

web we would like to show you a description here but the site won t allow us

welcome speeches for visiting education minister pdf - Mar 13 2022

web welcome speeches for visiting education minister the journal of proceedings and addresses of the national educational association documentary history of education

list of ministers of national education of turkey wikipedia - Jan 11 2022

web republic of türkiye ministry of foreign affairs minister speeches speeches speech by h e hakan fidan minister of foreign affairs of the republic of türkiye at the opening

speeches republic of türkiye ministry of foreign affairs - Feb 09 2022

web welcome speeches for visiting education minister welcome speeches for visiting education minister 3 downloaded from forms indiraedu com on 2021 12 28 by guest