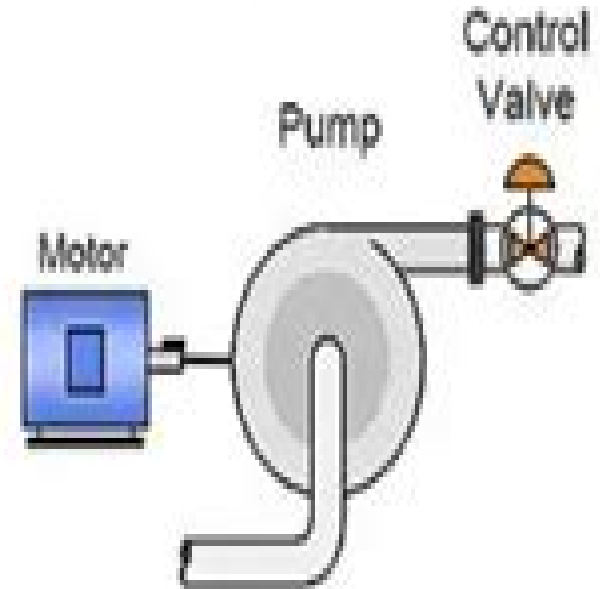
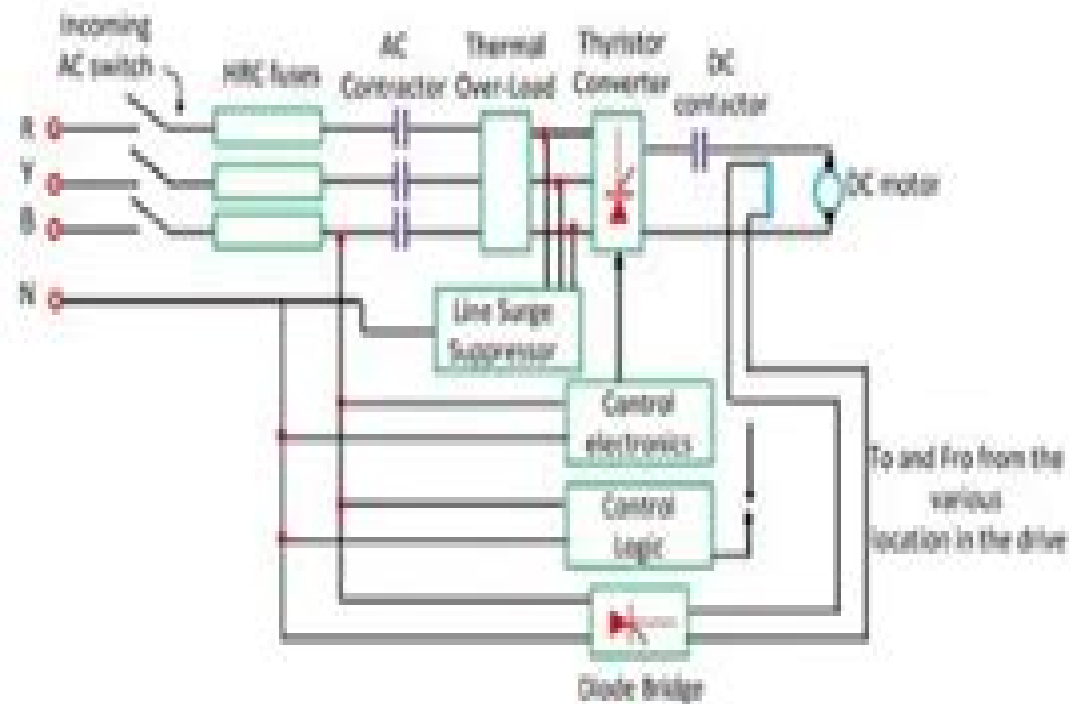
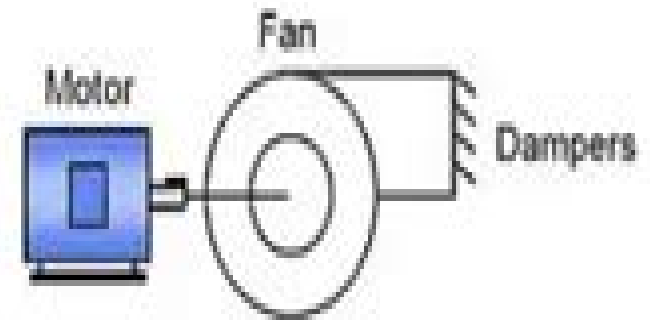


How Electrical Drives Are Controlled



Electrical 4 U

Basic Electrical Drives And Control

**Sergey E. Ryvkin, Eduardo Palomar
Lever**



Basic Electrical Drives And Control:

Electrical Machine Drives Control Juha Pyrhonen,Valeria Hrabovcova,R. Scott Semken,2016-10-03 This comprehensive text examines existing and emerging electrical drive technologies The authors clearly define the most basic electrical drive concepts and go on to explain the most important details while maintaining a solid connection to the theory and design of the associated electrical machines Also including links to a number of industrial applications the authors take their investigation of electrical drives beyond theory to examine a number of practical aspects of electrical drive control and application Key features Provides a comprehensive summary of all aspects of controlled speed electrical drive technology including control and operation Handling of electrical drives is solidly linked to the theory and design of the associated electrical machines Added insight into problems and functions are illustrated with clearly understandable figures Offers an understanding of the main phenomena associated with electrical machine drives Considers the problem of bearing currents and voltage stresses of an electrical drive Includes up to date theory and design guidelines taking into account the most recent advances This book s rigorous coverage of theoretical principles and techniques makes for an excellent introduction to controlled speed electrical drive technologies for Electrical Engineering MSc or PhD students studying electrical drives It also serves as an excellent reference for practicing electrical engineers looking to carry out design analyses and development of controlled speed electrical drives

Electrical Machine Drives Control Juha Pyrhonen,Valeria Hrabovcova,R. Scott Semken,2016-11-14 This comprehensive text examines existing and emerging electrical drive technologies The authors clearly define the most basic electrical drive concepts and go on to explain the most important details while maintaining a solid connection to the theory and design of the associated electrical machines Also including links to a number of industrial applications the authors take their investigation of electrical drives beyond theory to examine a number of practical aspects of electrical drive control and application Key features Provides a comprehensive summary of all aspects of controlled speed electrical drive technology including control and operation Handling of electrical drives is solidly linked to the theory and design of the associated electrical machines Added insight into problems and functions are illustrated with clearly understandable figures Offers an understanding of the main phenomena associated with electrical machine drives Considers the problem of bearing currents and voltage stresses of an electrical drive Includes up to date theory and design guidelines taking into account the most recent advances This book s rigorous coverage of theoretical principles and techniques makes for an excellent introduction to controlled speed electrical drive technologies for Electrical Engineering MSc or PhD students studying electrical drives It also serves as an excellent reference for practicing electrical engineers looking to carry out design analyses and development of controlled speed electrical drives

Process Control Béla G. Lipták,2013-10-02 Instrument Engineers Handbook Third Edition Process Control provides information pertinent to control hardware including transmitters controllers control valves displays and computer systems This book presents the control theory and shows how the unit processes of distillation and

chemical reaction should be controlled Organized into eight chapters this edition begins with an overview of the method needed for the state of the art practice of process control This text then examines the relative merits of digital and analog displays and computers Other chapters consider the basic industrial annunciators and other alarm systems which consist of multiple individual alarm points that are connected to a trouble contact a logic module and a visual indicator This book discusses as well the data loggers available for process control applications The final chapter deals with the various pump control systems the features and designs of variable speed drives and the metering pumps This book is a valuable resource for engineers

Applied Control of Electrical Drives Duco W. J. Pulle,Pete Darnell,André Veltman,2015-09-17 Provides an overall understanding of all aspects of AC electrical drives from the motor and converter to the implemented control algorithm with minimum mathematics needed Demonstrates how to implement and debug electrical drive systems using a set of dedicated hardware platforms motor setup and software tools in VisSimTM and PLECSTM No expert programming skills required allowing the reader to concentrate on drive development Enables the reader to undertake real time control of a safe low voltage and low cost experimental drive This book puts the fundamental and advanced concepts behind electric drives into practice Avoiding involved mathematics whenever practical this book shows the reader how to implement a range of modern day electrical drive concepts without requiring in depth programming skills It allows the user to build and run a series of AC drive concepts ranging from very basic drives to sophisticated sensorless drives Hence the book is the only modern resource available that bridges the gap between simulation and the actual experimental environment Engineers who need to implement an electrical drive or transition from sensed to sensorless drives as well as students who need to understand the practical aspects of working with electrical drives will greatly benefit from this unique reference Control

of Electrical Drives Werner Leonhard,2012-12-06 Electrical drives play an important part as electromechanical energy converters in transportation materials handling and most production processes This book presents a unified treatment of complete electrical drive systems including the mechanical parts electrical machines and power converters and control Since it was first published in 1985 the book has found its way onto many desks in industry and universities all over the world For the second edition the text has been thoroughly revised and updated with the aim of offering the reader a general view of the field of controlled electrical drives which are maintaining and extending their importance as the most flexible source of controlled mechanical energy

Sliding Mode Control for Synchronous Electric Drives Sergey E. Ryvkin,Eduardo Palomar Lever,2011-11-21 This volume presents the theory of control systems with sliding mode applied to electrical motors and power converters It demonstrates the methodology of control design and the original algorithms of control and observation Practically all semiconductor devices are used in power converters that feed electrical motors as power switches A switch

Instrument Engineers' Handbook,(Volume 2) Third Edition Bela G. Liptak,1995-05-15 This third edition of the Instrument Engineers Handbook most complete and respected work on process instrumentation and control helps you

Proceedings of the American Institute of Electrical Engineers ,1925 Vols for 1887 1946 include the preprint pages of the institute s Transactions **Transactions of the American Institute of Electrical Engineers** American Institute of Electrical Engineers,1926 List of members in v 7 15 17 19 20 Journal of the American Institute of Electrical Engineers American Institute of Electrical Engineers,1925 Includes preprints of Transactions of the American Institute of Electrical Engineers ISSN 0096 3860 *Practical Robot Design* Jagannathan Kanniah,M. Fikret Ercan,Carlos A. Acosta Calderon,2013-10-17 Designed for beginners undergraduate students and robotics enthusiasts Practical Robot Design Game Playing Robots is a comprehensive guide to the theory design and construction of game playing robots Drawing on years of robot building and teaching experience the authors demonstrate the key steps of building a robot from beginning to end wi
 Electrical Engineering ,1926 Vols for 1931 46 include the preprints of the Transactions of the American Institute of Electrical Engineers ISSN 0096 3860 **Machinery** Lester Gray French,1927 **Machinery** Fred Herbert Colvin,Lester Gray French,1926 **Fifth European Conference on Power Electronics and Applications** ,1993 **Handbook of Automation, Computation, and Control: Systems and components** Eugene Munter Grabbe,1961 **Instrument Practice for Process Control and Automation** ,1970-07 **Fundamentals of Electrical Drives** Gopal K. Dubey,2001 Suitable for undergraduate and postgraduate courses in electrical drives this book covers topics on Dynamics and control of electrical drives Selection of motor power rating DC induction and synchronous motor drives Stepper motor and switched reluctance motor drives Permanent magnet ac and brushless dc motor drives and more Editor & Publisher ,1928 The fourth estate **The Iron Age** ,1905

Whispering the Secrets of Language: An Psychological Quest through **Basic Electrical Drives And Control**

In a digitally-driven earth where monitors reign supreme and quick conversation drowns out the subtleties of language, the profound strategies and mental nuances concealed within words frequently go unheard. However, located within the pages of **Basic Electrical Drives And Control** a captivating fictional value pulsing with natural thoughts, lies an extraordinary quest waiting to be undertaken. Composed by an experienced wordsmith, that marvelous opus encourages visitors on an introspective journey, gently unraveling the veiled truths and profound influence resonating within the very material of each and every word. Within the mental depths with this moving review, we shall embark upon a sincere exploration of the book is key styles, dissect its charming publishing style, and succumb to the strong resonance it evokes heavy within the recesses of readers hearts.

<https://py.bijouxmedusa.com/About/uploaded-files/HomePages/Ata%20Chapters%20On%20Aircraft%20Maintenance.pdf>

Table of Contents Basic Electrical Drives And Control

1. Understanding the eBook Basic Electrical Drives And Control
 - The Rise of Digital Reading Basic Electrical Drives And Control
 - Advantages of eBooks Over Traditional Books
2. Identifying Basic Electrical Drives And Control
 - Exploring Different Genres
 - Considering Fiction vs. Non-Fiction
 - Determining Your Reading Goals
3. Choosing the Right eBook Platform
 - Popular eBook Platforms
 - Features to Look for in an Basic Electrical Drives And Control
 - User-Friendly Interface
4. Exploring eBook Recommendations from Basic Electrical Drives And Control
 - Personalized Recommendations

- Basic Electrical Drives And Control User Reviews and Ratings
- Basic Electrical Drives And Control and Bestseller Lists
- 5. Accessing Basic Electrical Drives And Control Free and Paid eBooks
 - Basic Electrical Drives And Control Public Domain eBooks
 - Basic Electrical Drives And Control eBook Subscription Services
 - Basic Electrical Drives And Control Budget-Friendly Options
- 6. Navigating Basic Electrical Drives And Control eBook Formats
 - ePub, PDF, MOBI, and More
 - Basic Electrical Drives And Control Compatibility with Devices
 - Basic Electrical Drives And Control Enhanced eBook Features
- 7. Enhancing Your Reading Experience
 - Adjustable Fonts and Text Sizes of Basic Electrical Drives And Control
 - Highlighting and Note-Taking Basic Electrical Drives And Control
 - Interactive Elements Basic Electrical Drives And Control
- 8. Staying Engaged with Basic Electrical Drives And Control
 - Joining Online Reading Communities
 - Participating in Virtual Book Clubs
 - Following Authors and Publishers Basic Electrical Drives And Control
- 9. Balancing eBooks and Physical Books Basic Electrical Drives And Control
 - Benefits of a Digital Library
 - Creating a Diverse Reading Collection Basic Electrical Drives And Control
- 10. Overcoming Reading Challenges
 - Dealing with Digital Eye Strain
 - Minimizing Distractions
 - Managing Screen Time
- 11. Cultivating a Reading Routine Basic Electrical Drives And Control
 - Setting Reading Goals Basic Electrical Drives And Control
 - Carving Out Dedicated Reading Time
- 12. Sourcing Reliable Information of Basic Electrical Drives And Control
 - Fact-Checking eBook Content of Basic Electrical Drives And Control

-
- Distinguishing Credible Sources
13. Promoting Lifelong Learning
 - Utilizing eBooks for Skill Development
 - Exploring Educational eBooks
 14. Embracing eBook Trends
 - Integration of Multimedia Elements
 - Interactive and Gamified eBooks

Basic Electrical Drives And Control Introduction

In today's digital age, the availability of Basic Electrical Drives And Control books and manuals for download has revolutionized the way we access information. Gone are the days of physically flipping through pages and carrying heavy textbooks or manuals. With just a few clicks, we can now access a wealth of knowledge from the comfort of our own homes or on the go. This article will explore the advantages of Basic Electrical Drives And Control books and manuals for download, along with some popular platforms that offer these resources. One of the significant advantages of Basic Electrical Drives And Control books and manuals for download is the cost-saving aspect. Traditional books and manuals can be costly, especially if you need to purchase several of them for educational or professional purposes. By accessing Basic Electrical Drives And Control versions, you eliminate the need to spend money on physical copies. This not only saves you money but also reduces the environmental impact associated with book production and transportation. Furthermore, Basic Electrical Drives And Control books and manuals for download are incredibly convenient. With just a computer or smartphone and an internet connection, you can access a vast library of resources on any subject imaginable. Whether you're a student looking for textbooks, a professional seeking industry-specific manuals, or someone interested in self-improvement, these digital resources provide an efficient and accessible means of acquiring knowledge. Moreover, PDF books and manuals offer a range of benefits compared to other digital formats. PDF files are designed to retain their formatting regardless of the device used to open them. This ensures that the content appears exactly as intended by the author, with no loss of formatting or missing graphics. Additionally, PDF files can be easily annotated, bookmarked, and searched for specific terms, making them highly practical for studying or referencing. When it comes to accessing Basic Electrical Drives And Control books and manuals, several platforms offer an extensive collection of resources. One such platform is Project Gutenberg, a nonprofit organization that provides over 60,000 free eBooks. These books are primarily in the public domain, meaning they can be freely distributed and downloaded. Project Gutenberg offers a wide range of classic literature, making it an excellent resource for literature enthusiasts. Another popular platform for Basic Electrical Drives And Control books and manuals is Open Library.

Open Library is an initiative of the Internet Archive, a non-profit organization dedicated to digitizing cultural artifacts and making them accessible to the public. Open Library hosts millions of books, including both public domain works and contemporary titles. It also allows users to borrow digital copies of certain books for a limited period, similar to a library lending system. Additionally, many universities and educational institutions have their own digital libraries that provide free access to PDF books and manuals. These libraries often offer academic texts, research papers, and technical manuals, making them invaluable resources for students and researchers. Some notable examples include MIT OpenCourseWare, which offers free access to course materials from the Massachusetts Institute of Technology, and the Digital Public Library of America, which provides a vast collection of digitized books and historical documents. In conclusion, Basic Electrical Drives And Control books and manuals for download have transformed the way we access information. They provide a cost-effective and convenient means of acquiring knowledge, offering the ability to access a vast library of resources at our fingertips. With platforms like Project Gutenberg, Open Library, and various digital libraries offered by educational institutions, we have access to an ever-expanding collection of books and manuals. Whether for educational, professional, or personal purposes, these digital resources serve as valuable tools for continuous learning and self-improvement. So why not take advantage of the vast world of Basic Electrical Drives And Control books and manuals for download and embark on your journey of knowledge?

FAQs About Basic Electrical Drives And Control Books

1. Where can I buy Basic Electrical Drives And Control books? Bookstores: Physical bookstores like Barnes & Noble, Waterstones, and independent local stores. Online Retailers: Amazon, Book Depository, and various online bookstores offer a wide range of books in physical and digital formats.
2. What are the different book formats available? Hardcover: Sturdy and durable, usually more expensive. Paperback: Cheaper, lighter, and more portable than hardcovers. E-books: Digital books available for e-readers like Kindle or software like Apple Books, Kindle, and Google Play Books.
3. How do I choose a Basic Electrical Drives And Control book to read? Genres: Consider the genre you enjoy (fiction, non-fiction, mystery, sci-fi, etc.). Recommendations: Ask friends, join book clubs, or explore online reviews and recommendations. Author: If you like a particular author, you might enjoy more of their work.
4. How do I take care of Basic Electrical Drives And Control books? Storage: Keep them away from direct sunlight and in a dry environment. Handling: Avoid folding pages, use bookmarks, and handle them with clean hands. Cleaning: Gently

- dust the covers and pages occasionally.
5. Can I borrow books without buying them? Public Libraries: Local libraries offer a wide range of books for borrowing. Book Swaps: Community book exchanges or online platforms where people exchange books.
 6. How can I track my reading progress or manage my book collection? Book Tracking Apps: Goodreads, LibraryThing, and Book Catalogue are popular apps for tracking your reading progress and managing book collections. Spreadsheets: You can create your own spreadsheet to track books read, ratings, and other details.
 7. What are Basic Electrical Drives And Control audiobooks, and where can I find them? Audiobooks: Audio recordings of books, perfect for listening while commuting or multitasking. Platforms: Audible, LibriVox, and Google Play Books offer a wide selection of audiobooks.
 8. How do I support authors or the book industry? Buy Books: Purchase books from authors or independent bookstores. Reviews: Leave reviews on platforms like Goodreads or Amazon. Promotion: Share your favorite books on social media or recommend them to friends.
 9. Are there book clubs or reading communities I can join? Local Clubs: Check for local book clubs in libraries or community centers. Online Communities: Platforms like Goodreads have virtual book clubs and discussion groups.
 10. Can I read Basic Electrical Drives And Control books for free? Public Domain Books: Many classic books are available for free as they're in the public domain. Free E-books: Some websites offer free e-books legally, like Project Gutenberg or Open Library.

Find Basic Electrical Drives And Control :

ata chapters on aircraft maintenance

[autonomy in language learning the answer is learner autonomy issues in language teaching and learning selected papers from the lasig conference at treffpunkt sprachen in graz austria](#)

azulejo ap spanish teachers edition bing sdirff

[audi tt repair manual ebay](#)

attached the new science of adult attachment and how it can help you find and keep love

assignment for human values and professional ethics

atiyah sale of goods about atiyah sale of goods or read online viewer search kindle and ipad eboo

aus lombriser abplanalp strategisches management 6

autism fitness making physical activity fun for anybody

aspects of antiquity discoveries and controversies

audi a6 webasto manual

assessment of the iso 26262 sae international

aviation mayer brown

astronomy and astrology in the works of abraham ibn ezra

audit of the inventory management process final report

Basic Electrical Drives And Control :

3 12 electrostatic discharge and latch up engineering libretxts - Jun 12 2023

web the standard human body model assumes a static charge transfer of about 0.1 micro coulombs upon static electricity discharge between a human and a chip this does not seem like enough charge to do any harm until we remember the old formula $q = cv$

what is latch up and how can i prevent it analog devices - Jan 07 2023

web what is latch up and how can i prevent it please see tutorial mt 088 and the an 397 an 932 and an 109 application notes
an 600 understanding latch up in advanced cmos logic - Apr 10 2023

web latch up is a failure mechanism of cmos integrated circuits characterized by excessive current drain coupled with functional failure parametric failure and or device destruction

winning the battle against latchup in cmos analog switches - Mar 09 2023

web although our aim is to give an understanding of latchup as it occurs in cmos switches similar principles apply to many other cmos devices latchup may be defined as the creation of a low impedance path between power supply rails as a result of triggering a parasitic device

latch up wikipedia - Oct 16 2023

web in electronics a latch up is a type of short circuit which can occur in an integrated circuit ic more specifically it is the inadvertent creation of a low impedance path between the power supply rails of a mosfet circuit triggering a parasitic structure which disrupts proper functioning of the part possibly even leading to

latch up white paper texas instruments india - May 11 2023

web latch up is a condition where a low impedance path is created between a supply pin and ground this condition is caused by a trigger current injection or overvoltage but once activated the low impedance

latchup prevention in cmos planet analog - Jul 13 2023

web jan 14 2015 what is a latch up early cmos processes suffered a reliability concern that became known as latchup it

resulted in circuits either malfunctioning or consuming excessive power and could be either inherent in the design or triggered by voltage spikes on io pads that could forward bias pn junctions they were connected to

[what is latch up and how to test it anysilicon](#) - Sep 15 2023

web simply defined latch up is a functional chip failure associated with excessive current going through the chip caused by weak circuit design in some cases latch up can be a temporary condition that can be resolved by power cycle but unfortunately it can also cause a fatal chip failure cmos latch up

what are external latch up and internal latch up esd a - Feb 08 2023

web jan 1 2022 there are two main categories of latch up internal latch up ilu and external latch up elu for the ilu event trigger a few factors include the internal circuit creating supply bounce on chip transmission line reflections or

latch up issue in cmos logic latch up effect in vlsi - Aug 14 2023

web may 10 2020 technically latch up is the phenomena of activating the parasitic bjts in a cmos circuit which forms a low impedance path between the power and ground terminals this low impedance path draws a large current and heats up the ic integrated chip which cause permanent damage of ic

the sins of the father clifton chronicles book 2 kindle edition - Jul 21 2023

jeffrey archer continues the saga of the clifton chronicles with this epic second novel in the series the sins of the father family loyalties are stretched to their limits as secrets unravel

[the sins of the father jeffrey archer google books](#) - Sep 11 2022

the second book in the internationally bestselling clifton chronicles from master storyteller jeffrey archer one of the top ten storytellers in the world los angeles times on arrival in

the sins of the father clifton chronicles book 2 ebook archer - Apr 06 2022

the sins of the father kirkus reviews - Oct 12 2022

engrossing and memorable the sins of the father is the second novel in international bestseller jeffrey archer s celebrated the clifton chronicles it takes us to new york in 1939 where our

[the sins of the father the clifton chronicles 2 audio cd](#) - Aug 10 2022

may 8 2012 from the author of the international bestseller only time will tell jeffrey archer picks up the sweeping story of the clifton chronicles with the sins of the father only days

the sins of the father the clifton chronicles the - Feb 16 2023

jul 25 2019 engrossing and memorable the sins of the father is the second novel in international bestseller jeffrey archer s celebrated the clifton chronicles it takes us to new

the sins of the father clifton chronicles series 2 by jeffrey - Jul 09 2022

may 8 2012 from the author of the international bestseller only time will tell jeffrey archer picks up the sweeping story of the clifton chronicles with the sins of the father only days

the sins of the father 2 archer jeffrey amazon com au books - May 07 2022

mar 18 2020 download the sins of the father by jeffrey archer pdf novel free the sins of the father by jeffrey archer pdf download is an absolute page turner from page one the

the sins of the father by jeffrey archer pdf download - Nov 01 2021

the sins of the father amazon co uk archer jeffrey - Jun 20 2023

aug 31 2023 engrossing and memorable the sins of the father is the second novel in international bestseller jeffrey archer s celebrated the clifton chronicles it takes us to new

the sins of the father by jeffrey archer waterstones - Jan 15 2023

mar 26 2013 from the author of the international bestseller only time will tell jeffrey archer picks up the sweeping story of the clifton chronicles with the sins of the father only days

the sins of the father by jeffrey archer pan macmillan - Dec 14 2022

engrossing and memorable the sins of the father is the second novel in international bestseller jeffrey archer s celebrated the clifton chronicles it takes us to new york in 1939 where our

the sins of the father by jeffrey archer ebook scribd - Feb 04 2022

loading interface goodreads - Dec 02 2021

the sins of the father the clifton chronicles 2 ebook archer - Mar 05 2022

the sins of the father the clifton chronicles - Mar 17 2023

may 8 2012 the sins of the father jeffrey archer st martin s publishing group may 8 2012 fiction 352 pages from the author of the international bestseller only time will tell jeffrey

[the sins of the father by jeffrey archer waterstones](#) - Nov 13 2022

from the author of the international bestseller only time will tell jeffrey archer picks up the sweeping story of the clifton chronicles with the sins of the father it is only days before

the sins of the father clifton chronicles book 2 ebook archer - Jan 03 2022

[the sins of the father clifton chronicles book 2](#) - May 19 2023

aug 31 2023 author engrossing and memorable the sins of the father is the second novel in international bestseller jeffrey archer s celebrated the clifton chronicles it takes us to new

the sins of the father the clifton chronicles archer jeffrey - Apr 18 2023

may 8 2012 by jeffrey archer release date may 8 2012 an amusement suitable for airplane or beach reading archer only time will tell 2011 etc continues the clifton

[the sins of the father the clifton chronicles 2 by](#) - Aug 22 2023

may 2 2012 a 1 new york times bestselling author only days before britain declares war on germany harry clifton escaping the consequences of long buried family secrets and

[the sins of the father archer novel wikipedia](#) - Sep 23 2023

may 8 2012 the sins of the father clifton chronicles book 2 kindle edition by archer jeffrey download it once and read it on your kindle device pc phones or tablets use

[the sins of the father the clifton chronicles 2 archer jeffrey](#) - Jun 08 2022

discover and share books you love on goodreads

[must see attractions kos dodecanese lonely planet](#) - May 18 2023

web discover the best attractions in kos including asklepieion hippocrates fly tree and palace of the horsemen discover the supreme attractions in kos including asklepieion hippocrates plane table and castle of the knights

[kos travel guide everything you need to know times travel](#) - Mar 16 2023

web sep 8 2023 you ll eat and drink well on kos there s a focus on fresh local ingredients in many tavernas thanks to the abundance of produce from both land and sea among many other crops the island s

must see attractions kos dodecanese lonely planet tripping - Jan 14 2023

web discover the best attractions in kos including asklepieion hippocrates plane branch and locking of the knights

[asklepieion kos greece attractions lonely planet](#) - Jun 19 2023

web europe top choice in kos the island s most important ancient site stands on a pine covered hill 3km southwest of kos town commanding lovely views across towards turkey a religious sanctuary devoted to asclepius the god of healing it was also a healing centre and a school of medicine

[kos town travel lonely planet greece europe kos travel](#) - Sep 10 2022

web a handsome harboring community fronted by a superb medieval castle both somehow squeezed amid a mind blowing array to ancient ruins from the greek roman and byzantine eras kos town is the island s capital main ferry port and only sizeable town

kos travel lonely planet greece europe kos greece travel - Aug 09 2022

web guests soon verwandelt blasé at sidestepping the millennia old corinthian columns that poke through the proliferating wildflowers even in kos town the lively capital ancient greek ruins are scattered everywhere you turn and a mighty medieval fort still ticker over the harbour kos town travel

kos travel lonely planet greece europe - Oct 23 2023

web europe fringed by the finest beaches in the dodecanese dwarfed beneath mighty crags and blessed with lush valleys kos is an island of endless treasures visitors soon become blasé at sidestepping the millennia old corinthian columns that poke through the rampant wildflowers even in kos town the lively capital ancient greek ruins are

mastihari beach kos greece attractions lonely planet - Jun 07 2022

web fully serviced of the operators who hire out sunbed brollies wi fi additionally more the loveable sandy strip a mastihari shall amazing since families it rabbits get

where to eat and drink in kos greece the little backpacker - May 06 2022

web jun 10 2014 e lia tavern kos town all pitch was ampere top pick in may lonely planet guide but when we visited we found ourselves such the only guests to be fair it where the first week of to shoulder season this made the atmosphere very dull but the place was decorated fantastically and i spent most of my time glaring up

lonely planet halkidiki tops the travel destinations to - Mar 04 2022

web nov 17 2022 lonely planet s best in travel 2023 offers a set of itineraries that aim to help travelers explore the world through the experiences of experts in the relaxation category halkidiki ranks first on the list followed by jordan through the lens of designer tanya george jamaica which has its eye on the future and the ever popular

kos one hostel canggu social hub fitness yoga activities - Feb 03 2022

web our pool bar offers a variety of delicious pre mixed drinks and mouth watering signature and classic cocktails whether you re into the tangy mick jagger containing jagermeister orange fresh or raspberry or the sweet booty call encompassing light rum apple sour strawberry and framboise we have something to cater to your taste buds

trending destinations lonely planet - Apr 05 2022

web trending destinations from buzzing global capitals to island escapes see what s topping the list for other lonely planet travelers

where to eat and drink in kos greece the little backpacker - Jul 08 2022

web jun 10 2014 elia tavern kos town to place was a peak pick in my lonely planet guide but at we visited we found ourselves as the only guests to is fair it where the first week of the shoulder season those made to atmosphere very dull but the placed was decorated fabulously and i spent most of my time start up

must see attractions kos dodecanese lonely planet - Oct 11 2022

web discover the best attractions in kos including asklepion hippocrates flight tree and castle of the knife

kos town travel lonely planet greece europe community - Dec 13 2022

web a handsome harbour community disguised by a superb medieval castle and somehow squeezed amongst a mind blowing array of antique ruins from the greek roman and byzantine eras kos town your the island s capital

must see attractions kos town kos lonely planet - Aug 21 2023

web exposed by a devastating earthquake in 1933 kos ancient centre an important market political and social hub occupies a large area south of the plateia platanou the warm graceful charm and sedate pace of kos town is experienced at its best in this lovely cobblestone square immediately south of the castle

lonely planet pocket singapore travel guide paperback - Dec 01 2021

web nov 1 2012 lonely planet the world s leading travel guide publisher lonely planet pocket singapore is your passport to all the most relevant and up to date advice on what to see what to skip and what hidden discoveries await you sail on a jungle fringed reservoir at the singapore zoo walk through the lush botanic gardens or venture on a night safari

best restaurants kos town kos lonely planet - Feb 15 2023

web nick the fisherman this side street seafood taverna seems to be the tourist favourite it s been around since fish became dinosaurs and seems to keep the hordes happy but discover the best restaurants in kos town including pote tin kyriaki elia and aegli

kos griechenland mal kurz abtauchen lonely planet - Apr 17 2023

web die touristenmassen die kos im juli und august fest im griff hatten sind wieder abgereist vor allem in kéfalos das 20 minuten westlich von der hauptstadt kos liegt kann man jetzt prima baden surfer sind am un bebauten strandabschnitt Ágios ioánnis theológos richtig

best hotels and hostels kos town kos lonely planet - Jul 20 2023

web discover the best hotels in kos town including hotel afendoulis kos aktis art hotel and kosta palace

kos town travel lonely planet greece europe - Sep 22 2023

web get to the heart of kos town with one of our in depth award winning guidebooks covering maps itineraries and expert guidance shop our guidebooks explore kos town holidays and discover the best time and places to visit

[lonely planet pocket singapore travel guide amazon com](#) - Jan 02 2022

web mar 1 2015 lonely planet the world s leading travel guide publisher lonely planet pocket singapore is your passport to the most relevant up to date advice on what to see and skip and what hidden discoveries await you try the local grub at one of the many hawker centres join in the national sport and go shopping at orchard road or have

[kos town travel lonely planet greece europe insight](#) - Nov 12 2022

web ampere good harbour community fronted by a superb medivac castle and somehow squeezed amid a mind blowing array in aged ruins from the hellenic novels and byzantine eras kos town is the island s capital main ferry port press only sizeable town whilst any central streets tend to be overrun by partying tourists most remain attractive