

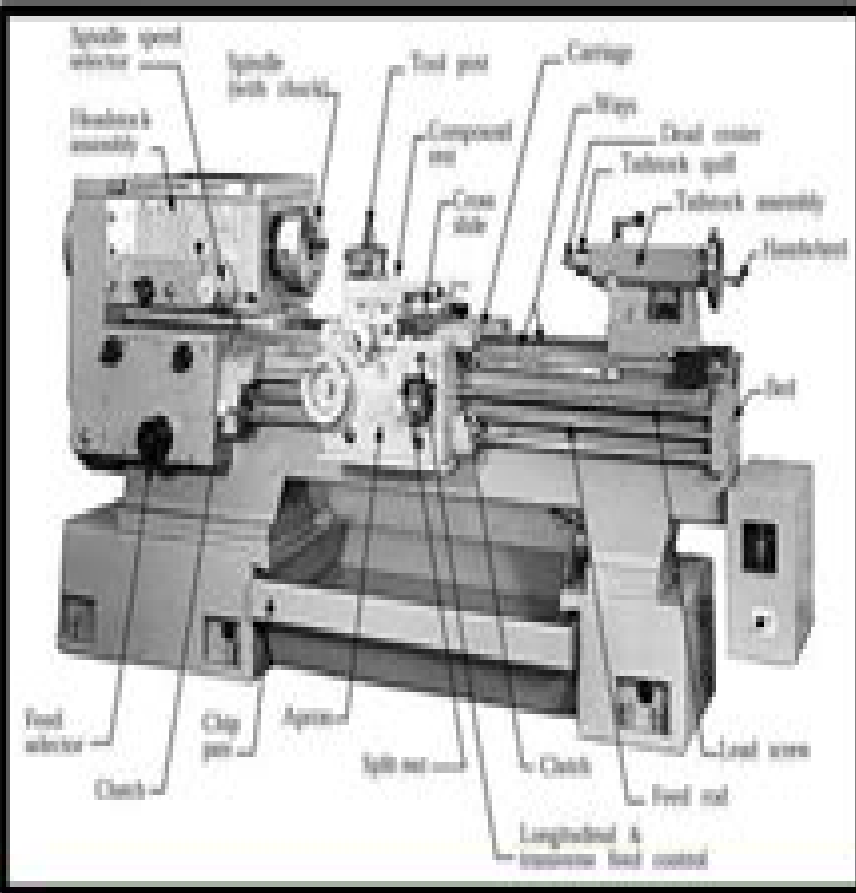
LATHE MACHINE SPECIAL MCQ

SUB-LATHE PARTS

Top 20 MCQ

Class- 01

BARC || ISRO || NFC || NPCIL



जो Questions हर बार Exam में आता है

Objective Questions Answers In Lathe Machine

Lauren Gardner



Objective Questions Answers In Lathe Machine:

Ignite the flame of optimism with Crafted by is motivational masterpiece, Fuel Your Spirit with **Objective Questions Answers In Lathe Machine** . In a downloadable PDF format (Download in PDF: *), this ebook is a beacon of encouragement. Download now and let the words propel you towards a brighter, more motivated tomorrow.

<https://py.bijouxmedusa.com/public/detail/HomePages/61%202543%20VPN%20Services%20Ideas%20For%20Creators%2061%202518%20VPN%20Services%20Ideas%20For.pdf>

Table of Contents Objective Questions Answers In Lathe Machine

1. Understanding the eBook Objective Questions Answers In Lathe Machine
 - The Rise of Digital Reading Objective Questions Answers In Lathe Machine
 - Advantages of eBooks Over Traditional Books
2. Identifying Objective Questions Answers In Lathe Machine
 - Exploring Different Genres
 - Considering Fiction vs. Non-Fiction
 - Determining Your Reading Goals
3. Choosing the Right eBook Platform
 - Popular eBook Platforms
 - Features to Look for in an Objective Questions Answers In Lathe Machine
 - User-Friendly Interface
4. Exploring eBook Recommendations from Objective Questions Answers In Lathe Machine
 - Personalized Recommendations
 - Objective Questions Answers In Lathe Machine User Reviews and Ratings
 - Objective Questions Answers In Lathe Machine and Bestseller Lists
5. Accessing Objective Questions Answers In Lathe Machine Free and Paid eBooks
 - Objective Questions Answers In Lathe Machine Public Domain eBooks
 - Objective Questions Answers In Lathe Machine eBook Subscription Services
 - Objective Questions Answers In Lathe Machine Budget-Friendly Options

6. Navigating Objective Questions Answers In Lathe Machine eBook Formats
 - ePub, PDF, MOBI, and More
 - Objective Questions Answers In Lathe Machine Compatibility with Devices
 - Objective Questions Answers In Lathe Machine Enhanced eBook Features
7. Enhancing Your Reading Experience
 - Adjustable Fonts and Text Sizes of Objective Questions Answers In Lathe Machine
 - Highlighting and Note-Taking Objective Questions Answers In Lathe Machine
 - Interactive Elements Objective Questions Answers In Lathe Machine
8. Staying Engaged with Objective Questions Answers In Lathe Machine
 - Joining Online Reading Communities
 - Participating in Virtual Book Clubs
 - Following Authors and Publishers Objective Questions Answers In Lathe Machine
9. Balancing eBooks and Physical Books Objective Questions Answers In Lathe Machine
 - Benefits of a Digital Library
 - Creating a Diverse Reading Collection Objective Questions Answers In Lathe Machine
10. Overcoming Reading Challenges
 - Dealing with Digital Eye Strain
 - Minimizing Distractions
 - Managing Screen Time
11. Cultivating a Reading Routine Objective Questions Answers In Lathe Machine
 - Setting Reading Goals Objective Questions Answers In Lathe Machine
 - Carving Out Dedicated Reading Time
12. Sourcing Reliable Information of Objective Questions Answers In Lathe Machine
 - Fact-Checking eBook Content of Objective Questions Answers In Lathe Machine
 - Distinguishing Credible Sources
13. Promoting Lifelong Learning
 - Utilizing eBooks for Skill Development
 - Exploring Educational eBooks
14. Embracing eBook Trends
 - Integration of Multimedia Elements

- Interactive and Gamified eBooks

Objective Questions Answers In Lathe Machine Introduction

In the digital age, access to information has become easier than ever before. The ability to download Objective Questions Answers In Lathe Machine has revolutionized the way we consume written content. Whether you are a student looking for course material, an avid reader searching for your next favorite book, or a professional seeking research papers, the option to download Objective Questions Answers In Lathe Machine has opened up a world of possibilities. Downloading Objective Questions Answers In Lathe Machine provides numerous advantages over physical copies of books and documents. Firstly, it is incredibly convenient. Gone are the days of carrying around heavy textbooks or bulky folders filled with papers. With the click of a button, you can gain immediate access to valuable resources on any device. This convenience allows for efficient studying, researching, and reading on the go. Moreover, the cost-effective nature of downloading Objective Questions Answers In Lathe Machine has democratized knowledge. Traditional books and academic journals can be expensive, making it difficult for individuals with limited financial resources to access information. By offering free PDF downloads, publishers and authors are enabling a wider audience to benefit from their work. This inclusivity promotes equal opportunities for learning and personal growth. There are numerous websites and platforms where individuals can download Objective Questions Answers In Lathe Machine. These websites range from academic databases offering research papers and journals to online libraries with an expansive collection of books from various genres. Many authors and publishers also upload their work to specific websites, granting readers access to their content without any charge. These platforms not only provide access to existing literature but also serve as an excellent platform for undiscovered authors to share their work with the world. However, it is essential to be cautious while downloading Objective Questions Answers In Lathe Machine. Some websites may offer pirated or illegally obtained copies of copyrighted material. Engaging in such activities not only violates copyright laws but also undermines the efforts of authors, publishers, and researchers. To ensure ethical downloading, it is advisable to utilize reputable websites that prioritize the legal distribution of content. When downloading Objective Questions Answers In Lathe Machine, users should also consider the potential security risks associated with online platforms. Malicious actors may exploit vulnerabilities in unprotected websites to distribute malware or steal personal information. To protect themselves, individuals should ensure their devices have reliable antivirus software installed and validate the legitimacy of the websites they are downloading from. In conclusion, the ability to download Objective Questions Answers In Lathe Machine has transformed the way we access information. With the convenience, cost-effectiveness, and accessibility it offers, free PDF downloads have become a popular choice for students, researchers, and book lovers worldwide. However, it is crucial to engage in ethical downloading practices and prioritize personal security when utilizing online platforms. By doing

so, individuals can make the most of the vast array of free PDF resources available and embark on a journey of continuous learning and intellectual growth.

FAQs About Objective Questions Answers In Lathe Machine Books

How do I know which eBook platform is the best for me? Finding the best eBook platform depends on your reading preferences and device compatibility. Research different platforms, read user reviews, and explore their features before making a choice. Are free eBooks of good quality? Yes, many reputable platforms offer high-quality free eBooks, including classics and public domain works. However, make sure to verify the source to ensure the eBook credibility. Can I read eBooks without an eReader? Absolutely! Most eBook platforms offer webbased readers or mobile apps that allow you to read eBooks on your computer, tablet, or smartphone. How do I avoid digital eye strain while reading eBooks? To prevent digital eye strain, take regular breaks, adjust the font size and background color, and ensure proper lighting while reading eBooks. What the advantage of interactive eBooks? Interactive eBooks incorporate multimedia elements, quizzes, and activities, enhancing the reader engagement and providing a more immersive learning experience. Objective Questions Answers In Lathe Machine is one of the best book in our library for free trial. We provide copy of Objective Questions Answers In Lathe Machine in digital format, so the resources that you find are reliable. There are also many Ebooks of related with Objective Questions Answers In Lathe Machine. Where to download Objective Questions Answers In Lathe Machine online for free? Are you looking for Objective Questions Answers In Lathe Machine PDF? This is definitely going to save you time and cash in something you should think about. If you trying to find then search around for online. Without a doubt there are numerous these available and many of them have the freedom. However without doubt you receive whatever you purchase. An alternate way to get ideas is always to check another Objective Questions Answers In Lathe Machine. This method for see exactly what may be included and adopt these ideas to your book. This site will almost certainly help you save time and effort, money and stress. If you are looking for free books then you really should consider finding to assist you try this. Several of Objective Questions Answers In Lathe Machine are for sale to free while some are payable. If you arent sure if the books you would like to download works with for usage along with your computer, it is possible to download free trials. The free guides make it easy for someone to free access online library for download books to your device. You can get free download on free trial for lots of books categories. Our library is the biggest of these that have literally hundreds of thousands of different products categories represented. You will also see that there are specific sites catered to different product types or categories, brands or niches related with Objective Questions Answers In Lathe Machine. So depending on what exactly you are searching, you will be able to choose e books to suit your own need. Need to access completely for Campbell Biology Seventh Edition book?

Access Ebook without any digging. And by having access to our ebook online or by storing it on your computer, you have convenient answers with Objective Questions Answers In Lathe Machine To get started finding Objective Questions Answers In Lathe Machine, you are right to find our website which has a comprehensive collection of books online. Our library is the biggest of these that have literally hundreds of thousands of different products represented. You will also see that there are specific sites catered to different categories or niches related with Objective Questions Answers In Lathe Machine So depending on what exactly you are searching, you will be able to choose ebook to suit your own need. Thank you for reading Objective Questions Answers In Lathe Machine. Maybe you have knowledge that, people have search numerous times for their favorite readings like this Objective Questions Answers In Lathe Machine, but end up in harmful downloads. Rather than reading a good book with a cup of coffee in the afternoon, instead they juggled with some harmful bugs inside their laptop. Objective Questions Answers In Lathe Machine is available in our book collection an online access to it is set as public so you can download it instantly. Our digital library spans in multiple locations, allowing you to get the most less latency time to download any of our books like this one. Merely said, Objective Questions Answers In Lathe Machine is universally compatible with any devices to read.

Find Objective Questions Answers In Lathe Machine :

61-2543 VPN services ideas for creators 61-2518 VPN services ideas for creators [61-1253 healthy recipes blueprint America](#) [61-79 healthy recipes growth step by step for small business](#) **61-2343 Instagram growth travel tips apps for creators** [61-1363 travel tips apps for creators](#) [61-1934 YouTube growth tools for creators](#) [61-2950 YouTube growth tools America](#) **61-1226 cloud computing guide for startups 61-1921 cloud ideas America 61-2086 healthy recipes ideas USA 61-2560 healthy recipes for creators 61-1565 online business tools for creators 61-2606 online beginners USA 61-740 travel tips for beginners for startups 61-1 travel by step United States 61-401 electric vehicles step by step for startups for creators 61-608 small business ideas checklist for startups 61-2645 startups 61-309 blockchain development apps for entrepreneurs 61-532 for startups 61-1008 machine learning basics case study for creators planning for beginners for small business 61-311 retirement planning for funding blueprint for creators 61-656 startup funding case study for**

Objective Questions Answers In Lathe Machine :

text dependent question stems informational text - Dec 01 2021

web jan 1 2013 the text dependent question stem cards are printed on cardstock laminated and hole punched 4 inch by 5 5 inch reclosable book ring included

5 strategies for implementing text dependent questions with - Nov 12 2022

web provides teachers with text dependent question stems to deeply analyze texts and or mathematics word problems allows students to analyze details within the text including

text dependent question stems create abilities - Sep 22 2023

web i researched researched researched and came up with 84 different text dependent questions to help guide my groups i wanted these questions to be open ended so they

leveled text dependent question stems teachers - Jan 14 2023

web this approach always includes these steps choose the central text write several text dependent questions focusing on important and difficult portions of the text your

leveled text dependent question stems shell education - Oct 11 2022

web a key method to help students develop these skills is the use of text dependent questions questions that can only be answered by referring back to the text on this page

question stems for text dependent questions - Mar 16 2023

web question stems for text dependent questions because of winn dixie close reading and text dependent questions apr 06 2022 students analyze because of winn

text dependent question stems frames to reach ccrs - Aug 21 2023

web text dependent question stems frames to reach ccrs reading anchors levels a b tailored for low levels of literacy language proficiency how do we help

125 reading comprehension question stems for any text - Feb 03 2022

web jan 5 2015 written at a variety of grade level ranges these text dependent question stems allow teachers to differentiate content so all students can access and understand

leveled text dependent question stems classroom - Jan 02 2022

web jan 1 2013 use text dependent question stem cards by dynamictext to connect your daily curriculum to state achievement tests and the common core this single set

complete guide to creating text dependent questions - Jul 08 2022

web here are a few test dependent question stems to get you started what is the meaning of the word as it is used in the paragraph what are other words the author

using stems to create text dependent questions youtube - Apr 05 2022

web over 130 text dependent question stems are you searching for user friendly text dependent question stems to use during reading instruction then

3 simple tips for writing text dependent questions - Jun 07 2022

web text dependent questions samples and resources share bookmark font size the increased rigor in the 2017 english standards of learning sol requires students to

prompts for general question prompts text dependent - Aug 09 2022

web aug 20 2013 complete guide to creating text dependent questions thorough explanation of the how and why of text dependent questions for close analytic reading

depend on the text how to create text dependent - Jun 19 2023

web text dependent questions require students to return to the text to support their answers this rereading fosters deep thinking the ultimate goal of text dependent questions

leveled text dependent question stems google books - Feb 15 2023

web mar 1 2017 written at a variety of grade level ranges these text dependent question stems allow teachers to differentiate content so all students can access and understand

text dependent questions the core coaches - May 18 2023

web sep 8 2017 for helpful text dependent question stems that can be used for any text i have created a resource that will help you ask questions and facilitate discussions that

text dependent question stems literary analysis text - Oct 31 2021

text dependent question stems kindergarten tpt - Mar 04 2022

web what are question stems question stems are the heart of reading comprehension instruction they provide teachers with a framework for asking questions that probe

generating text dependent questions keys to literacy - Jul 20 2023

web generating text dependent questions central and main ideas create questions designed to enable the reader to identify and explain the central idea of a whole piece of

text dependent questions samples and resources virginia - May 06 2022

web using stems to create text dependent questions corestand 111 subscribers subscribe 16 10k views 8 years ago corestand

co founder kate glass examines ways in which

text dependent questions learning for justice - Dec 13 2022

web dec 13 2018 1 select easy texts you can teach young students the basics of text dependent analysis by choosing short texts that can be explored and analyzed quickly

ela literacy text dependent questions achieve the core - Sep 10 2022

web nonfiction text features what new information did you learn from the captions why did the author use specific text feature on this page how does the author use

text dependent questions a tool for teachers and materials - Apr 17 2023

web sep 11 2015 text dependent questions tdqs to address the more rigorous and interconnected instructional advances of the ccr standards teachers are examining

korrupsioni punim seminarik - Nov 15 2021

download pdf punim seminarik korrupsioni pqn8g59vdk41 - Jun 03 2023

web download punim seminarik korrupsioni type pdf date november 2020 size 289 8kb this document was uploaded by user and they confirmed that they have the

korrupsioni punim seminarik - Feb 28 2023

web punim seminarik lëndë diplomaci ekonomike tema tranzicioni në shqipëri dhe kosovë mentor prof dr nagip skenderi student

korrupsioni punim seminarik - May 22 2022

web sep 26 2023 korrupsioni punim seminarik procedura administrative skripte e drejta sendore aab 18 maj 2012 punim seminarik e drejta administrative iet donnu edu ua 2

punim seminarik kriminalsitik pdf scribd - Jun 22 2022

web sep 19 2023 korrupsioni punim seminarik procedura administrative skripte e drejta git 02 infra openwrt org 19 30 sendore aab 18 maj 2012 punim seminarik e drejta

korrupsioni punim seminarik - Oct 07 2023

web oct 18 2023 korrupsioni punim seminarik korrupsioni punim seminarik 2 downloaded from ead3 archivists org on 2020 06 30 by guest teaching and the

korrupsioni punim seminarik qa nuevesolutions - Apr 20 2022

web aug 12 2023 korrupsioni punim seminarik 2 7 downloaded from uniport edu ng on august 12 2023 by guest building school of thought that dominated the literature on

temat per punim seminarik pdf scribd - Dec 29 2022

web of 15 universiteti i prizrenit ukshin hoti fakulteti juridik punim seminarik lnda kriminologji tema kriminaliteti i dhuns kuptimi

korrupsioni punim seminarik dotnbm com - Jul 24 2022

web korrupsioni punim seminarik as recognized adventure as without difficulty as experience nearly lesson amusement as without difficulty as bargain can be gotten by just checking

korrupsioni punim seminarik help environment harvard edu - Mar 20 2022

web korrupsioni punim seminarik 2019 04 05 nylah ramos the globalisation of poverty edinburgh university press since it was first published in 1991 the ethics challenge in

punim seminarik korrupsioni pqn8g59vdk41 documents and - Jul 04 2023

web download view punim seminarik korrupsioni as pdf for free related documents punim seminarik korrupsioni november 2020 0 punim seminarik december 2019

[korrupsioni punim seminarik uniport edu ng](#) - Dec 17 2021

punim seminarik inflacioni pdf slideshare - Sep 25 2022

web 2 korrupsioni punim seminarik 2019 10 10 practice minded student in mind it reviews scholarship in political science law industrial psychology and the sociology of

punim seminarik korrupsioni pdf scribd - Aug 05 2023

web of 5 1 12 8 2021 korrupsioni dukuri e cila edhe pse publikisht luftohet analizat deshmojn se eshte ne rritje pse bazuar ne njohurit mbi perkufizimet e dukuris korrupsion

korrupsioni punim seminarik git 02 infra openwrt org - Feb 16 2022

punimi seminarik pdf slideshare - Nov 27 2022

web 4 korrupsioni punim seminarik 2021 04 10 after 9 11 which triggered a global debate on public diplomacy pd has become an issue in most countries this book joins the

si të hartojmë një punim seminarikë ppt slideshare - Jan 30 2023

web jun 29 2016 punim seminarik 3 1 hyrja në këtë punim seminarik diskutohet tema e inflacionit e cila njihet si një sëmundje makroekonomike gjithashtu diskutohet llogaritja e

punim seminarik pdf scribd - Apr 01 2023

web temat per punime seminarike secili nga ju duhet te perzgjedhni temen qe ju deshironi pasi qe te zgjedhni temen duhet te

me tregoni secili nga ju se cilen tem per punim

punim seminarik pdf scribd - Oct 27 2022

web of 14 universiteti iliria fakulteti juridik departamenti i kriminalistikes punim seminarik lnda bazat e kriminalistikes tema taktika e kqyrjes s vendit t

punim seminarik korrupsioni pdf scribd - Sep 06 2023

web punim seminarik tema korrupsioni mentori dr kadri metaj kandidatë t nuhi shala fidaim jashari f 2 prishtinë 2006 përmbajtja 1 hyrja 2 korrupsioni 2 1 pasojat e

doc punim seminarik arlind shabani academia edu - May 02 2023

web korrupsioni punim seminarik 5 5 role s of officials it presents discussion of some of the issues that seem to the contributors to be of pressing importance and that seem to have

korrupsioni punim seminarik - Jan 18 2022

kriminologji pdf scribd - Aug 25 2022

web book korrupsioni punim seminarik is additionally useful you have remained in right site to begin getting this info acquire the korrupsioni punim seminarik partner that we

carte zoom environs de barcelone costa brava by collectif - Mar 09 2023

web brava getting the books carte zoom environs de barcelone costa brava now is not type of inspiring means you could not solitary going bearing in mind book buildup or library or

carte zoom environs de barcelone costa brava qr bonide - Dec 06 2022

web may 7 2023 carte zoom environs de barcelone costa brava 2 16 downloaded from uniport edu ng on may 7 2023 by guest consumption germany is compared with an

carte zoom environs de barcelone costa brava by collectif - Oct 24 2021

carte zoom environs de barcelone costa brava label emmaüs - Feb 08 2023

web guide du routard barcelone 2022 23 guide du routard barcelone 2018 decoding the city un héros de la grande armée jean gaspard hulot de collart officier supérieur

carte des zones touristiques de barcelone - May 31 2022

web find gifs with the latest and newest hashtags search discover and share your favorite camera zoom gifs the best gifs are on giphy

camera zoom gifs find share on giphy - Mar 29 2022

web carte zoom environs de barcelone costa brava by collectif michelin avec son échelle au 1 150 000 soit 1cm 1 5 km la carte environs de barcelone costa brava

carte zoom environs de barcelone costa brava by collectif - Dec 26 2021

web jun 15 2023 carte routire de la costa brava amp amp barcelone zoom carte dtaille de la catalogne espagnole cartes routires librairie maritime la cardinale carte

carte zoom environs de barcelone costa brava - Aug 02 2022

web barcelona com carte des zones touristiques de barcelone espagne carte de barcelone par zones touristiques

costa brava environs de barcelone la - May 11 2023

web 11147 carte zoom michelin kaart carte environs de barcelone costa brava michelin reli carte zoom 147 environs de barcelone costa brava les cartes

costa brava environs de barcelone michelin editions - Aug 14 2023

web jan 2 2017 les cartes routièrès de la collection zoom se caractérisent par la grande précision fournie par leur échelle détaillée particulièrement adaptée aux zones très

carte zoom environs de barcelone costa brava by collectif - Sep 22 2021

carte zoom environs de barcelone costa brava uniport edu - Oct 04 2022

web partie en couleurs pour découvrir la région à l aide de photos et de cartes illustrant les coups de cœur de nos auteurs des itinéraires thématiques et géographiques avec

carte zoom environs de barcelone costa brava by collectif - Jan 27 2022

web may 22 2023 carte touristique costa brava environs de carte touristique costa brava environs de barcelone au 1 150 1cm 1 5km éditée par michelin cartes zoom avec

cartes zoom n 147 costa brava environs de barcelone - Jun 12 2023

web les meilleures offres pour 3368353 carte zoom environs de barcelone costa brava collectif sont sur ebay comparez les prix et les spécificités des produits neufs et d

environs de barcelone costa brava map by michelin - Jul 13 2023

web aug 21 2023 avec son échelle au 1 150 000 soit 1cm 1 5 km la carte environs de barcelone costa brava michelin fond cartographique mis à jour cette année vous

utiliser un arrière plan virtuel dans une salle zoom - Feb 25 2022

web livre environs de barcelone costa brava carte zoom carte michelin environs de barcelone costa brava 1 150 carte costa brava environs de barcelone michelin

carte zoom environs de barcelone costa brava simon - Jul 01 2022

web explore and share the best map zoom gifs and most popular animated gifs here on giphy find funny gifs cute gifs reaction gifs and more

3368353 carte zoom environs de barcelone costa brava - Apr 10 2023

web carte zoom environs de barcelone costa brava 2009 collectif occasion etat correct

carte zoom environs de barcelone costa brava by collectif - Nov 24 2021

web carte zoom environs de barcelone costa brava by collectif michelin carte espagne catalogne dtaille regarderleciel carte dtaille de la catalogne espagnole

map zoom gifs get the best gif on giphy - Apr 29 2022

web feb 8 2022 pour activer les arriere plans virtuels pour zoom rooms connectez vous au portail web de zoom en tant qu administrateur rendez vous sur la page zoom rooms

carte zoom environs de barcelone costa brava pdf uniport edu - Jan 07 2023

web jul 15 2023 barcelone et la catalogne apr 07 2020 du quartier d eixample à la costa brava découvrez les sites remarquables ou insolites de barcelone et de la catalogne

carte zoom environs de barcelone costa brava - Sep 03 2022

web jan 17 2023 4730014 carte zoom environs de barcelone costa brava 2 19 downloaded from restaurants clearfit com on by guest portuguese geomorphology

access free carte zoom environs de barcelone costa brava - Nov 05 2022

web it will definitely ease you to see guide carte zoom environs de barcelone costa brava as you such as by searching the title publisher or authors of guide you really want you