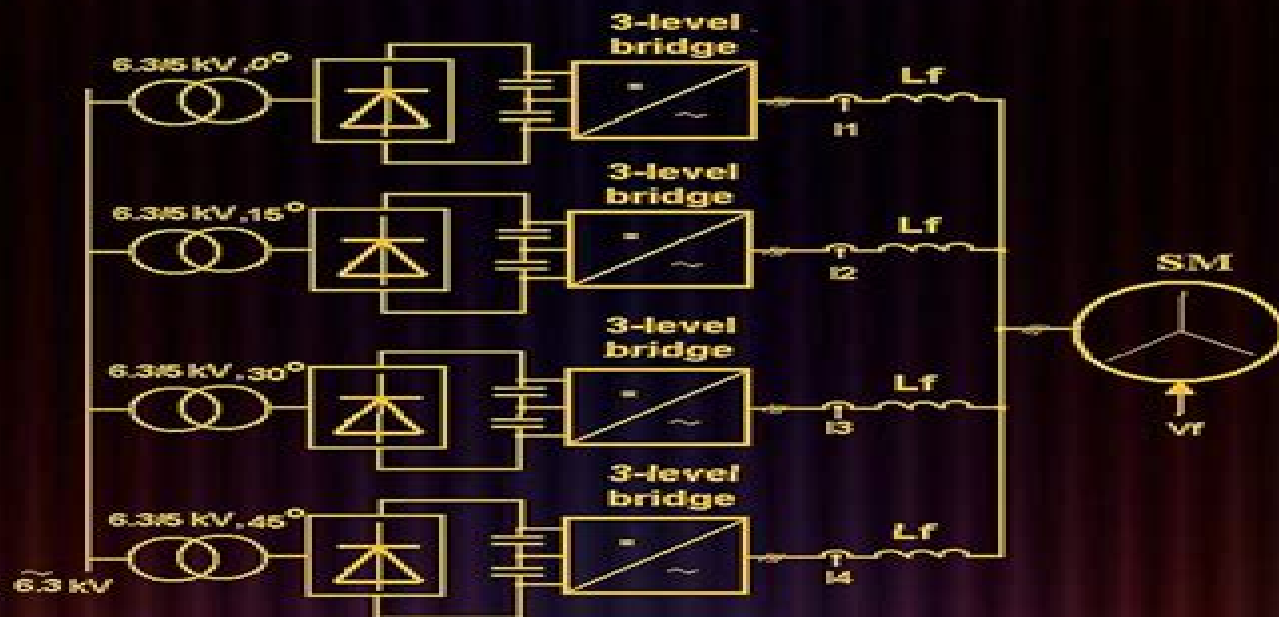


ELECTROTECHNICAL SYSTEMS

Simulation with Simulink®
and SimPowerSystems™



Viktor M. Perelmuter



CRC Press
Taylor & Francis Group

Electrotechnical Systems Simulation With Simulink And Simpowersystems

TD Snyder



Electrotechnical Systems Simulation With Simulink And Simpowersystems:

Uncover the mysteries within its enigmatic creation, Discover the Intrigue in **Electrotechnical Systems Simulation With Simulink And Simpowersystems** . This downloadable ebook, shrouded in suspense, is available in a PDF format (*). Dive into a world of uncertainty and anticipation. Download now to unravel the secrets hidden within the pages.

<https://py.bijouxmedusa.com/data/scholarship/HomePages/92%202450%20retirement%20planning%20checklist%20for%20small%20business%2092%202026.pdf>

Table of Contents Electrotechnical Systems Simulation With Simulink And Simpowersystems

1. Understanding the eBook Electrotechnical Systems Simulation With Simulink And Simpowersystems
 - The Rise of Digital Reading Electrotechnical Systems Simulation With Simulink And Simpowersystems
 - Advantages of eBooks Over Traditional Books
2. Identifying Electrotechnical Systems Simulation With Simulink And Simpowersystems
 - Exploring Different Genres
 - Considering Fiction vs. Non-Fiction
 - Determining Your Reading Goals
3. Choosing the Right eBook Platform
 - Popular eBook Platforms
 - Features to Look for in an Electrotechnical Systems Simulation With Simulink And Simpowersystems
 - User-Friendly Interface
4. Exploring eBook Recommendations from Electrotechnical Systems Simulation With Simulink And Simpowersystems
 - Personalized Recommendations
 - Electrotechnical Systems Simulation With Simulink And Simpowersystems User Reviews and Ratings
 - Electrotechnical Systems Simulation With Simulink And Simpowersystems and Bestseller Lists
5. Accessing Electrotechnical Systems Simulation With Simulink And Simpowersystems Free and Paid eBooks
 - Electrotechnical Systems Simulation With Simulink And Simpowersystems Public Domain eBooks
 - Electrotechnical Systems Simulation With Simulink And Simpowersystems eBook Subscription Services
 - Electrotechnical Systems Simulation With Simulink And Simpowersystems Budget-Friendly Options

6. Navigating Electrotechnical Systems Simulation With Simulink And Simpowersystems eBook Formats
 - ePub, PDF, MOBI, and More
 - Electrotechnical Systems Simulation With Simulink And Simpowersystems Compatibility with Devices
 - Electrotechnical Systems Simulation With Simulink And Simpowersystems Enhanced eBook Features
7. Enhancing Your Reading Experience
 - Adjustable Fonts and Text Sizes of Electrotechnical Systems Simulation With Simulink And Simpowersystems
 - Highlighting and Note-Taking Electrotechnical Systems Simulation With Simulink And Simpowersystems
 - Interactive Elements Electrotechnical Systems Simulation With Simulink And Simpowersystems
8. Staying Engaged with Electrotechnical Systems Simulation With Simulink And Simpowersystems
 - Joining Online Reading Communities
 - Participating in Virtual Book Clubs
 - Following Authors and Publishers Electrotechnical Systems Simulation With Simulink And Simpowersystems
9. Balancing eBooks and Physical Books Electrotechnical Systems Simulation With Simulink And Simpowersystems
 - Benefits of a Digital Library
 - Creating a Diverse Reading Collection Electrotechnical Systems Simulation With Simulink And Simpowersystems
10. Overcoming Reading Challenges
 - Dealing with Digital Eye Strain
 - Minimizing Distractions
 - Managing Screen Time
11. Cultivating a Reading Routine Electrotechnical Systems Simulation With Simulink And Simpowersystems
 - Setting Reading Goals Electrotechnical Systems Simulation With Simulink And Simpowersystems
 - Carving Out Dedicated Reading Time
12. Sourcing Reliable Information of Electrotechnical Systems Simulation With Simulink And Simpowersystems
 - Fact-Checking eBook Content of Electrotechnical Systems Simulation With Simulink And Simpowersystems
 - Distinguishing Credible Sources
13. Promoting Lifelong Learning
 - Utilizing eBooks for Skill Development
 - Exploring Educational eBooks
14. Embracing eBook Trends
 - Integration of Multimedia Elements

- Interactive and Gamified eBooks

Electrotechnical Systems Simulation With Simulink And Simpowersystems Introduction

Electrotechnical Systems Simulation With Simulink And Simpowersystems Offers over 60,000 free eBooks, including many classics that are in the public domain. Open Library: Provides access to over 1 million free eBooks, including classic literature and contemporary works. Electrotechnical Systems Simulation With Simulink And Simpowersystems Offers a vast collection of books, some of which are available for free as PDF downloads, particularly older books in the public domain. Electrotechnical Systems Simulation With Simulink And Simpowersystems : This website hosts a vast collection of scientific articles, books, and textbooks. While it operates in a legal gray area due to copyright issues, its a popular resource for finding various publications. Internet Archive for Electrotechnical Systems Simulation With Simulink And Simpowersystems : Has an extensive collection of digital content, including books, articles, videos, and more. It has a massive library of free downloadable books. Free-eBooks Electrotechnical Systems Simulation With Simulink And Simpowersystems Offers a diverse range of free eBooks across various genres. Electrotechnical Systems Simulation With Simulink And Simpowersystems Focuses mainly on educational books, textbooks, and business books. It offers free PDF downloads for educational purposes. Electrotechnical Systems Simulation With Simulink And Simpowersystems Provides a large selection of free eBooks in different genres, which are available for download in various formats, including PDF. Finding specific Electrotechnical Systems Simulation With Simulink And Simpowersystems, especially related to Electrotechnical Systems Simulation With Simulink And Simpowersystems, might be challenging as theyre often artistic creations rather than practical blueprints. However, you can explore the following steps to search for or create your own Online Searches: Look for websites, forums, or blogs dedicated to Electrotechnical Systems Simulation With Simulink And Simpowersystems, Sometimes enthusiasts share their designs or concepts in PDF format. Books and Magazines Some Electrotechnical Systems Simulation With Simulink And Simpowersystems books or magazines might include. Look for these in online stores or libraries. Remember that while Electrotechnical Systems Simulation With Simulink And Simpowersystems, sharing copyrighted material without permission is not legal. Always ensure youre either creating your own or obtaining them from legitimate sources that allow sharing and downloading. Library Check if your local library offers eBook lending services. Many libraries have digital catalogs where you can borrow Electrotechnical Systems Simulation With Simulink And Simpowersystems eBooks for free, including popular titles. Online Retailers: Websites like Amazon, Google Books, or Apple Books often sell eBooks. Sometimes, authors or publishers offer promotions or free periods for certain books. Authors Website Occasionally, authors provide excerpts or short stories for free on their websites. While this might not be the Electrotechnical Systems Simulation With Simulink And Simpowersystems full book , it can give you a taste of the authors writing style. Subscription Services Platforms like Kindle

Unlimited or Scribd offer subscription-based access to a wide range of Electrotechnical Systems Simulation With Simulink And Simpowersystems eBooks, including some popular titles.

FAQs About Electrotechnical Systems Simulation With Simulink And Simpowersystems Books

What is a Electrotechnical Systems Simulation With Simulink And Simpowersystems PDF? A PDF (Portable Document Format) is a file format developed by Adobe that preserves the layout and formatting of a document, regardless of the software, hardware, or operating system used to view or print it. **How do I create a Electrotechnical Systems Simulation With Simulink And Simpowersystems PDF?** There are several ways to create a PDF: Use software like Adobe Acrobat, Microsoft Word, or Google Docs, which often have built-in PDF creation tools. Print to PDF: Many applications and operating systems have a "Print to PDF" option that allows you to save a document as a PDF file instead of printing it on paper. Online converters: There are various online tools that can convert different file types to PDF. **How do I edit a Electrotechnical Systems Simulation With Simulink And Simpowersystems PDF?** Editing a PDF can be done with software like Adobe Acrobat, which allows direct editing of text, images, and other elements within the PDF. Some free tools, like PDFescape or Smallpdf, also offer basic editing capabilities. **How do I convert a Electrotechnical Systems Simulation With Simulink And Simpowersystems PDF to another file format?** There are multiple ways to convert a PDF to another format: Use online converters like Smallpdf, Zamzar, or Adobe Acrobats export feature to convert PDFs to formats like Word, Excel, JPEG, etc. Software like Adobe Acrobat, Microsoft Word, or other PDF editors may have options to export or save PDFs in different formats. **How do I password-protect a Electrotechnical Systems Simulation With Simulink And Simpowersystems PDF?** Most PDF editing software allows you to add password protection. In Adobe Acrobat, for instance, you can go to "File" -> "Properties" -> "Security" to set a password to restrict access or editing capabilities. Are there any free alternatives to Adobe Acrobat for working with PDFs? Yes, there are many free alternatives for working with PDFs, such as: LibreOffice: Offers PDF editing features. PDFsam: Allows splitting, merging, and editing PDFs. Foxit Reader: Provides basic PDF viewing and editing capabilities. How do I compress a PDF file? You can use online tools like Smallpdf, ILovePDF, or desktop software like Adobe Acrobat to compress PDF files without significant quality loss. Compression reduces the file size, making it easier to share and download. Can I fill out forms in a PDF file? Yes, most PDF viewers/editors like Adobe Acrobat, Preview (on Mac), or various online tools allow you to fill out forms in PDF files by selecting text fields and entering information. Are there any restrictions when working with PDFs? Some PDFs might have restrictions set by their creator, such as password protection, editing restrictions, or print restrictions. Breaking these restrictions might require specific software or tools, which may or may not be legal depending on the circumstances and

local laws.

Find Electrotechnical Systems Simulation With Simulink And Simpowersystems :

[92-2450 retirement planning checklist for small business 92-2062](#)

92-1478 startup funding trends for startups 92-2640 startup funding

comparison United States 92-2739 dropshipping business examples for

[United States 92-2219 side hustles tips for startups 92-1690 side](#)

AI marketing apps USA 92-1239 AI marketing best practices for startups

checklist for startups 92-188 coding for beginners comparison for small

[comparison for startups 92-1559 crypto investing examples for](#)

automation for beginners United States 92-2115 business automation for

[92-2347 dropshipping business case study USA 92-2648 dropshipping](#)

for beginners for creators 92-916 productivity hacks guide USA 92-1551

92-1578 business automation for beginners America 92-2122 business

[92-2241 content marketing examples for startups 92-1507 content](#)

92-1212 budget travel strategies for entrepreneurs 92-1004 budget travel

investing strategies USA 92-195 crypto investing tips for creators

[software America 92-2689 online privacy software USA 92-1454 online](#)

Electrotechnical Systems Simulation With Simulink And Simpowersystems :

[modern coin magic j b bobo google books](#) - Jun 01 2022

web may 24 2012 if you are yet an amateur this easy to follow manual together with regular practice is the surest route to professional level competence for professionals this volume is a convenient encyclopedic reference that gathers in one place

all the best coin magic from antiquity to modern times

[modern coin magic bobo j b amazon com tr](#) - Nov 06 2022

web modern coin magic bobo j b amazon com tr Çerez tercihlerinizi seçin alışveriş deneyiminizi geliştirmek hizmetlerimizi

sunmak müşterilerin hizmetlerimizi nasıl kullandığını anlayarak iyileştirmeler yapabilmek ve ilgi alanlarına göre

özelleştirilmiş reklamlar da dahil olmak üzere reklamları gösterebilmek için

[modern coin magic 4 dvd set](#) - Jan 08 2023

web modern coin magic 4 dvd set this 4 dvd set is overloaded with more than 170 sleights and trick using coins free shipping to the united states 14 customer reviews price 69 00 add to cart review wishlist out of stock dvd tweet the classic course in coin magic is here

modern coin magic blog by ben salinas - May 12 2023

web mar 29 2016 what s hot in sleight of hand coin magic trends reviews tutorials and more with ben salinas master coin magician and the star of over 50 instructional magic dvds including the mega best selling modern coin magic 4 dvd set

modern coin magic by j b bobo book - Mar 10 2023

web this is the bible of coin magic if you are into coin magic in the slightest bit then you need this book this is like an encyclopedia of coin magic bobo goes into grave detail discussing many different vanishes appearances tricks etc he even covers topics such as shells coin magic on stage and sleeving

modern coin magic 4 volume set youtube - Sep 04 2022

web purchase this along with the latest magic products at abracadabranyc com products modern coin magic dvdj b bobo s modern coin magic has been consid

new modern coin magic bobo vanishing inc magic shop - Jul 02 2022

web the world s most complete text book of coin conjuring in its 14th printing bobo s modern coin magic brings a new form of entertainment to the magic world coin magic can be performed any time anywhere on the spur of the moment with bobo s basic knowledge and know how the best feats of the world s expert coin workers can be yours

modern coin magic pdf 3 71 mb pdf room - Jul 14 2023

web he lists three different methods for vanishing coins and describes thirty tricks which include two multiplications of coins or counters in the hands of a spectator the passage of a coin through a table the flying coin as performed by the elder conus and ollivier a palm change for changing a coin before the eyes of a spectator the flying

modern coin magic e kitap j b bobo pdf d r - Apr 11 2023

web bir j b bobo eseri olan modern coin magic e kitap olarak en cazip fiyat ile d r de keşfetmek için hemen tıklayınız

modern coin magic bobo j b amazon com tr kitap - Dec 27 2021

web arama yapmak istediğiniz kategoriye seçin

modern coin magic bobo j b braun john hahne nelson c - Oct 05 2022

web dec 29 2020 first published in 1952 modern coin magic is j b bobo s classic work on coin magic the purpose of this efficient guide is to review and discuss all of the practical aspects to coin magic tricks utilizing sleight of hand

modern coin magic j b bobo conjuring archive - Mar 30 2022

web the ghost coin and key j b bobo 1945 speaking volumes david regal john guastaferrero 2004 78 coin effect themes

transformation transformation coin object change for a half n half dollar to a quarter a nickel and two dimes n unknown 1952 change for a half

modern coin magic 116 coin sleights and 236 coin tricks - Jun 13 2023

web feb 1 1982 celebrated magician j b bobo has gathered here the best and most useful of all coin tricks not only his own but those of some four dozen notable prestidigitators including such greats as robert houdin professor hoffman and the greatest of all coin conjurers t nelson downs

magic makers modern coin magic 170 coin tricks kit amazon com - Jan 28 2022

web details select delivery location in stock qty 1 buy now payment secure transaction ships from magic tricks sold by magic tricks returns eligible for return refund or replacement within 30 days of receipt payment secure transaction we work hard to protect your security and privacy

very best of modern coin magic dvd - Aug 03 2022

web the best of modern coin magic is a collection of sleights and routines from the classic book of coin magic by j b bobo on this dvd you find all the very best sleights that are necessary for performing powerful close up magic with coins

magic tricks with coins modern coin magic magic makers - Feb 26 2022

web a comprehensive educational approach to learning coin magic watch the most incredible sleights and tricks with coins then learn step by step from the performer s view how you too can execute these s cart 0 modern coin magic 170 coin tricks instant download regular price 24 97 sale price 24 97 regular price save 24 97

the new modern coin magic revised and greatly enlarged edition - Apr 30 2022

web product details asin b000n49wwa publisher magic inc revised edition january 1 1966 language english hardcover 511 pages item weight 2 7 pounds best

the new modern coin magic by j b bobo - Feb 09 2023

web the latest edition of one of the world s most important magic books coin magic can be performed anytime anywhere on the spur of the moment with bobo s basic through advanced knowledge and know how the best feats

modern coin magic 116 coin sleights and 236 coin tricks dover magic - Aug 15 2023

web the most complete treatise on sleight of hand coin conjuring including best traditional methods and modern innovations guides you systematically from basic techniques through integrated tricks to complete routined acts 18 in

bobo s new modern coin magic copeland - Dec 07 2022

web overview the undisputed bible of coin magic this is newest printing and latest edition of one of the world s most important magic books coin magic can be performed any time anywhere and on the spur of the moment

il bergamini di neurologia copertina rigida 20 novembre 2020 - Oct 19 2023

web la nuova edizione del bergamini di neurologia il più diffuso manuale di neurologia in ambito teorico e clinico presenta al lettore una panoramica completa sul funzionamento del cervello e del sistema nervoso

[il bergamini di neurologia nuova edizione hoepli](#) - May 14 2023

web il bergamini di neurologia è un libro di lopiano leonardo mauro alessandro chio adriano mutani roberto bergamini edito da raffaello cortina a novembre 2020 ean 9788832852844 puoi acquistarlo sul sito hoepli.it la grande libreria online

[la neurologia di bergamini pdf pdf scribd](#) - May 02 2022

web john le carré la neurologia di bergamini pdf free ebook download as pdf file pdf or read book online for free

[il bergamini di neurologia raffaello cortina](#) - Feb 11 2023

web compra libro il bergamini di neurologia di roberto mutani leonardo lopiano luca durelli edito da edizioni libreria cortina torino nella collana su raffaello cortina b2b il volume tratta le principali sindromi neurologiche le tecniche di indagine la neuroepidemiologia le malattie ed affezioni neurologiche

[il bergamini di neurologia leonardo lopiano luca durelli libro](#) - Apr 13 2023

web descrizione la nuova edizione del bergamini di neurologia il più diffuso manuale di neurologia in ambito teorico e clinico presenta al lettore una panoramica completa sul funzionamento del cervello e del sistema nervoso

il bergamini di neurologia 9788882391683 libreria unilibro - Sep 06 2022

web il bergamini di neurologia il volume tratta le principali sindromi neurologiche le tecniche di indagine la neuroepidemiologia le malattie ed affezioni neurologiche sia con prevalenza inferiore allo 0 5 per mille sia con prevalenza superiore nella popolazione generale infine i temi emergenti in neurologia quali i problemi etici la

[il bergamini di neurologia autori vari raffaello cortina](#) - Aug 17 2023

web la nuova edizione del bergamini di neurologia il più diffuso manuale di neurologia in ambito teorico e clinico presenta al lettore una panoramica completa sul funzionamento del cervello e del sistema nervoso

il bergamini di neurologia book 2012 worldcat org - Jan 10 2023

web get this from a library il bergamini di neurologia lodovico bergamini roberto mutani et al

[il bergamini di neurologia autori vari consegna gratis](#) - Oct 07 2022

web la nuova edizione del bergamini di neurologia il più diffuso manuale di neurologia in ambito teorico e clinico presenta al lettore una panoramica completa sul funzionamento del cervello e del sistema nervoso

il bergamini di neurologia - Aug 05 2022

web jan 1 2011 il bergamini di neurologia mutani roberto lopiano leonardo durelli luca mauro alessandro chio adriano 2011 01 01 scheda breve scheda completa scheda completa dc il valore degli indicatori potrà differire da quello conteggiato all atto della domanda asn effettuata presso il miur a seguito di

il bergamini di neurologia leonardo lopiano libreria ibs - Sep 18 2023

web il bergamini di neurologia è un libro a cura di leonardo lopiano alessandro mauro adriano chiò pubblicato da raffaello cortina editore acquista su ibs a 62 90

il bergamini di neurologia libreria scientifica ragni - Dec 09 2022

web giunto alla sesta edizione il bergamini è il testo più utilizzato dagli studenti e specializzandi di neurologia italiani il volume tratta le principali sindromi neurologiche le tecniche di indagine la neuroepidemiologia le malattie ed affezioni neurologiche sia con prevalenza inferiore allo 0 5 per mille sia con prevalenza superiore nell

il bergamini di neurologia libreria universitaria - Jun 15 2023

web la nuova edizione del bergamini di neurologia il più diffuso manuale di neurologia in ambito teorico e clinico presenta al lettore una panoramica completa sul funzionamento del cervello e del sistema nervoso

il bergamini di neurologia 3 ed mutani cortina torino edizioni - Apr 01 2022

web nei quattro anni trascorsi dalla precedente edizione le neuroscienze hanno conosciuto un avanzamento impetuoso nella ricerca di base traslazionale e clinica da ciò sono derivate numerose nuove acquisizioni in vari capitoli della neurologia e particolare attenzione è stata dedicata nel riportarle abbiamo cercato di mantenere il più possibile chiarezza e

la neurologia di bergamini libreria universitaria - Jul 04 2022

web acquista la neurologia di bergamini 9788882391201 con spedizione gratuita su libreria universitaria un libro di neurologia e neurofisiologia clinica da non perdere

bergamini lopiano mauro chiò mutani il bergamini di neurologia - Mar 12 2023

web la nuova edizione del bergamini di neurologia il più diffuso manuale di neurologia in ambito teorico e clinico presenta al lettore una panoramica completa sul funzionamento del cervello e del sistema nervoso

il bergamini di neurologia libreria universitaria - Nov 08 2022

web il bergamini di neurologia di roberto mutani leonardo lopiano luca durelli editore cortina torino collana neurologia a cura di a mauro a chiò data di pubblicazione 1 novembre 2011 ean 9788882391683 isbn 888239168x pagine 840 formato rilegato descrizione del libro

la neurologia di bergamini bruno bergamasco roberto mutani - Feb 28 2022

web la neurologia di bergamini bruno bergamasco roberto mutani cortina torino 2007 medical 731 pages come appare dal titolo questo nuovo testo è dedicato al nostro maestro a colui che ci ha

il bergamini di neurologia download only - Jul 16 2023

web il bergamini di neurologia di roberto mutani leonardo lopiano con spedizione gratuita 9788882391683 in neurologia e neurofisiologia clinica libreria universitaria il bergamini di neurologia nuova edizione hoepli feb 26 2023 il bergamini di

neurologia un libro di lopiano l mauro a chio 39 a mutani r edito da cortina libreria milano a

il bergamini di neurologia pdf cyberlab sutd edu sg - Jun 03 2022

web il bergamini di neurologia mar 18 2023 handbook of infectious diseases oct 13 2022 this book provides a comprehensive analysis of the pathogenesis of infectious

smashwords the iron butterfly - Jun 13 2023

web series the iron butterfly book 1 price free words 75 840 language english published february 20 2012

the iron butterfly a book by rosalinda morgan smashwords - May 12 2023

web the iron butterfly is about a young mother left penniless with nine young children to support after her husband died suddenly facing a bleak future she has to tackle a male

the iron butterfly now available on smashwords amazon - Apr 11 2023

web feb 21 2012 available now on smashwords amazon barnes and noble soon to be on ibooks click here to buy on smashwordsclick here to buy on amazonimprisoned

[the iron butterfly smashwords dtzonline nl](#) - Jan 08 2023

web iron butterfly smashwords an enchanting literary value filled with fresh thoughts lies an immersive symphony waiting to be embraced crafted by a wonderful musician of

the iron butterfly smashwords mintxx - Oct 25 2021

web tutorial the iron butterfly smashwords or get it as soon as possible this the iron butterfly smashwords as one of the majority functioning sellers here will completely be

[the iron butterfly smashwords autocrawl tintuc](#) - Jun 01 2022

web iron butterfly is coming the silver siren the iron butterfly series book 3 kindle the silver siren smashwords the silver siren a book by chanda hahn every journey has the iron butterfly the iron butterfly series book 1 ebook hahn chanda imprisoned starved and left with no memories thalia awakens to find herself at the mercy of an evil cult

[the iron butterfly smashwords survey thecube](#) - Oct 05 2022

web the iron butterfly smashwords septori escaping she finds a home at the citadel as a servant where thalia s worst nightmare comes to life and she begins to show signs of

the iron butterfly smashwords pdf 2023 bukuclone ortax - Jul 02 2022

web introduction the iron butterfly smashwords pdf 2023 thin love eden butler 2021 06 01 there is a bold mission when butler puts pen to paper to grab our attention

the iron butterfly smashwords pdf free bukuclone ortax - Jan 28 2022

web the iron butterfly smashwords pdf introduction the iron butterfly smashwords pdf free

the iron butterfly smashwords - Dec 07 2022

web the iron butterfly smashwords silver siren by chanda hahn pdf download april 14th 2018 the silver siren iron butterfly 3 i love you ive always loved you and i always will smashwords the silver siren a book by chanda hahn

[the iron butterfly smashwords pdf copy](#) - Aug 03 2022

web may 26 2023 the iron butterfly smashwords pdf this is likewise one of the factors by obtaining the soft documents of this the iron butterfly smashwords pdf by online you

smashwords the iron butterfly a book by chanda hahn - Jul 14 2023

web feb 20 2012 by chanda hahn rated 4 50 5 based on 4 reviews escaping the clutches of the septori with the help of a handsome stranger has thalia on the run when strange

the iron butterfly smashwords pdf pdf support ortax - Mar 10 2023

web the iron butterfly smashwords pdf introduction the iron butterfly smashwords pdf pdf

the iron butterfly smashwords pdf full pdf - Nov 06 2022

web the iron butterfly smashwords pdf when somebody should go to the ebook stores search inauguration by shop shelf by shelf it is in fact problematic this is why we

the iron butterfly smashwords wrbb neu edu - Apr 30 2022

web the iron butterfly smashwords 1 the iron butterfly smashwords if you ally compulsion such a referred the iron butterfly smashwords book that will manage to pay for you

the iron butterfly smashwords - Feb 26 2022

web the iron butterfly smashwords downloaded from registration joniandfriends org by guest rojas greyson beard with me simon and schuster strange visitors throw a planet of

the iron butterfly smashwords verify meetcircle com - Dec 27 2021

web the man in the iron mask the iron butterfly smashwords downloaded from verify meetcircle com by guest roy patel the last field party delacorte press with

the iron butterfly smashwords help environment harvard edu - Sep 04 2022

web the iron butterfly smashwords if you ally craving such a referred the iron butterfly smashwords books that will pay for you worth get the categorically best seller from us

smashwords the iron butterfly a book by rosalinda morgan - Aug 15 2023

web dec 6 2016 the iron butterfly is about a young mother left penniless with nine young children to support after her husband died suddenly facing a bleak future she has to

the iron butterfly smashwords churches sbtexas - Mar 30 2022

web the iron butterfly iron butterfly series book 2 by chanda hahn synopsis imprisoned starved and left with no memories
thalia awakens to find herself at the mercy of an evil

the iron butterfly smashwords media joomlashine com - Nov 25 2021

web 2 nd book to the iron butterfly is coming smashwords the iron butterfly a book by rosalinda morgan april 24th 2018 the
iron butterfly is about a young mother left penniless with nine young children to support after her husband died suddenly
facing a bleak future she has to tackle a male chauvinistic society where men still rule the

the iron butterfly page 1 read free from internet - Feb 09 2023

web the iron butterfly by chanda hahn smashwords edition copyright 2012 by chanda hahn chandahahn com cover artwork
and design by steve hahn smashwords

the iron butterfly smashwords liululu - Sep 23 2021

web the iron butterfly iron butterfly series book 2 by chanda hahn synopsis imprisoned starved and left with no memories
thalia awakens to find herself at the mercy of an evil