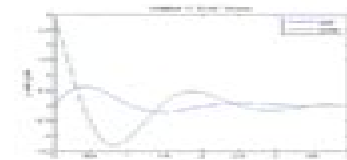
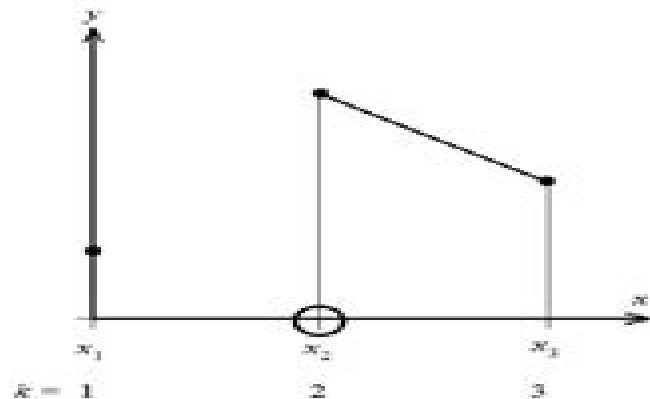


**ME 1020: ENGINEERING PROGRAMMING WITH MATLAB
 FINAL EXAM**

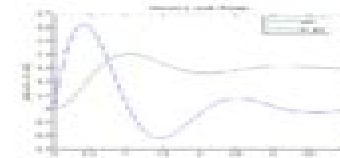
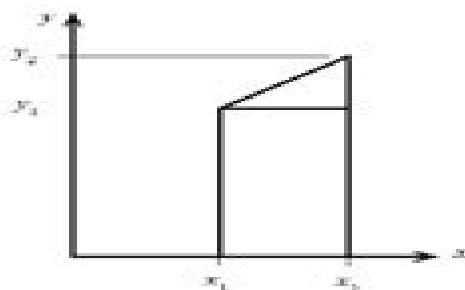
Open Book, Closed Notes, Do Not Write on this Sheet
Create a Separate MATLAB Script File for Each Problem
Submit all MATLAB files (.m) to Dr. Thomas
Each MATLAB File Must Have the Following Header:

```
1 % Final Exam, ME 1020, Spring 2016, Your Name Here
2 clc, clear all, close all
```

Problem 1 (4 Points): Create a MATLAB script file to calculate and plot the derivative of the function $y(x) = e^{-x} \sin(3x)$ from $0 \leq x \leq 4$ using the Forward Difference Method described in class (shown below). You must use a for loop to solve this problem. Provide a plot title and labels for the axes. Use 101 points from $x = 0$ to $x = 4$.



Problem 2 (4 Points): Create a MATLAB script file to calculate and plot the integral of the function $y(x) = e^{-x} \sin(3x)$ from $0 \leq x \leq 4$ using the Trapezoidal Method described in class (shown below). You must use a for loop to solve this problem. Provide a plot title and labels for the axes. Use 101 points from $x = 0$ to $x = 4$.



Matlab Final Exam And Answers

**Thirumalaisamy P.
Velavancorresponding**



Matlab Final Exam And Answers:

This Enthralling Realm of E-book Books: A Comprehensive Guide Unveiling the Benefits of Kindle Books: A Realm of Ease and Versatility E-book books, with their inherent mobility and ease of access, have liberated readers from the constraints of hardcopy books. Gone are the days of lugging bulky novels or carefully searching for particular titles in bookstores. E-book devices, sleek and portable, effortlessly store an extensive library of books, allowing readers to indulge in their preferred reads whenever, anywhere. Whether traveling on a busy train, lounging on a sun-kissed beach, or simply cozying up in bed, Kindle books provide an unparalleled level of convenience. A Reading World Unfolded: Discovering the Wide Array of E-book Matlab Final Exam And Answers Matlab Final Exam And Answers The Kindle Shop, a virtual treasure trove of bookish gems, boasts an wide collection of books spanning varied genres, catering to every readers preference and choice. From captivating fiction and thought-provoking non-fiction to timeless classics and contemporary bestsellers, the Kindle Store offers an unparalleled variety of titles to discover. Whether seeking escape through engrossing tales of fantasy and adventure, delving into the depths of historical narratives, or expanding ones understanding with insightful works of science and philosophical, the E-book Shop provides a gateway to a literary world brimming with endless possibilities. A Game-changing Force in the Literary Scene: The Persistent Influence of Kindle Books Matlab Final Exam And Answers The advent of E-book books has undoubtedly reshaped the literary landscape, introducing a paradigm shift in the way books are published, distributed, and consumed. Traditional publication houses have embraced the digital revolution, adapting their approaches to accommodate the growing need for e-books. This has led to a surge in the accessibility of Kindle titles, ensuring that readers have entry to a vast array of literary works at their fingertips. Moreover, E-book books have democratized entry to books, breaking down geographical barriers and offering readers worldwide with similar opportunities to engage with the written word. Regardless of their location or socioeconomic background, individuals can now engross themselves in the captivating world of literature, fostering a global community of readers. Conclusion: Embracing the E-book Experience Matlab Final Exam And Answers Kindle books Matlab Final Exam And Answers, with their inherent convenience, flexibility, and vast array of titles, have undoubtedly transformed the way we experience literature. They offer readers the liberty to discover the boundless realm of written expression, anytime, anywhere. As we continue to travel the ever-evolving online scene, Kindle books stand as testament to the persistent power of storytelling, ensuring that the joy of reading remains accessible to all.

https://py.bijouxmedusa.com/data/virtual-library/HomePages/organization_strategies_america_78_1938_home_organization_strategies.pdf

Table of Contents Matlab Final Exam And Answers

1. Understanding the eBook Matlab Final Exam And Answers
 - The Rise of Digital Reading Matlab Final Exam And Answers
 - Advantages of eBooks Over Traditional Books
2. Identifying Matlab Final Exam And Answers
 - Exploring Different Genres
 - Considering Fiction vs. Non-Fiction
 - Determining Your Reading Goals
3. Choosing the Right eBook Platform
 - Popular eBook Platforms
 - Features to Look for in an Matlab Final Exam And Answers
 - User-Friendly Interface
4. Exploring eBook Recommendations from Matlab Final Exam And Answers
 - Personalized Recommendations
 - Matlab Final Exam And Answers User Reviews and Ratings
 - Matlab Final Exam And Answers and Bestseller Lists
5. Accessing Matlab Final Exam And Answers Free and Paid eBooks
 - Matlab Final Exam And Answers Public Domain eBooks
 - Matlab Final Exam And Answers eBook Subscription Services
 - Matlab Final Exam And Answers Budget-Friendly Options
6. Navigating Matlab Final Exam And Answers eBook Formats
 - ePub, PDF, MOBI, and More
 - Matlab Final Exam And Answers Compatibility with Devices
 - Matlab Final Exam And Answers Enhanced eBook Features
7. Enhancing Your Reading Experience
 - Adjustable Fonts and Text Sizes of Matlab Final Exam And Answers
 - Highlighting and Note-Taking Matlab Final Exam And Answers
 - Interactive Elements Matlab Final Exam And Answers
8. Staying Engaged with Matlab Final Exam And Answers

- Joining Online Reading Communities
 - Participating in Virtual Book Clubs
 - Following Authors and Publishers Matlab Final Exam And Answers
9. Balancing eBooks and Physical Books Matlab Final Exam And Answers
- Benefits of a Digital Library
 - Creating a Diverse Reading Collection Matlab Final Exam And Answers
10. Overcoming Reading Challenges
- Dealing with Digital Eye Strain
 - Minimizing Distractions
 - Managing Screen Time
11. Cultivating a Reading Routine Matlab Final Exam And Answers
- Setting Reading Goals Matlab Final Exam And Answers
 - Carving Out Dedicated Reading Time
12. Sourcing Reliable Information of Matlab Final Exam And Answers
- Fact-Checking eBook Content of Matlab Final Exam And Answers
 - Distinguishing Credible Sources
13. Promoting Lifelong Learning
- Utilizing eBooks for Skill Development
 - Exploring Educational eBooks
14. Embracing eBook Trends
- Integration of Multimedia Elements
 - Interactive and Gamified eBooks

Matlab Final Exam And Answers Introduction

In today's digital age, the availability of Matlab Final Exam And Answers books and manuals for download has revolutionized the way we access information. Gone are the days of physically flipping through pages and carrying heavy textbooks or manuals. With just a few clicks, we can now access a wealth of knowledge from the comfort of our own homes or on the go. This article will explore the advantages of Matlab Final Exam And Answers books and manuals for download, along with some popular platforms that offer these resources. One of the significant advantages of Matlab Final Exam And Answers books and manuals for download is the cost-saving aspect. Traditional books and manuals can be costly, especially if you

need to purchase several of them for educational or professional purposes. By accessing Matlab Final Exam And Answers versions, you eliminate the need to spend money on physical copies. This not only saves you money but also reduces the environmental impact associated with book production and transportation. Furthermore, Matlab Final Exam And Answers books and manuals for download are incredibly convenient. With just a computer or smartphone and an internet connection, you can access a vast library of resources on any subject imaginable. Whether you're a student looking for textbooks, a professional seeking industry-specific manuals, or someone interested in self-improvement, these digital resources provide an efficient and accessible means of acquiring knowledge. Moreover, PDF books and manuals offer a range of benefits compared to other digital formats. PDF files are designed to retain their formatting regardless of the device used to open them. This ensures that the content appears exactly as intended by the author, with no loss of formatting or missing graphics. Additionally, PDF files can be easily annotated, bookmarked, and searched for specific terms, making them highly practical for studying or referencing. When it comes to accessing Matlab Final Exam And Answers books and manuals, several platforms offer an extensive collection of resources. One such platform is Project Gutenberg, a nonprofit organization that provides over 60,000 free eBooks. These books are primarily in the public domain, meaning they can be freely distributed and downloaded. Project Gutenberg offers a wide range of classic literature, making it an excellent resource for literature enthusiasts. Another popular platform for Matlab Final Exam And Answers books and manuals is Open Library. Open Library is an initiative of the Internet Archive, a non-profit organization dedicated to digitizing cultural artifacts and making them accessible to the public. Open Library hosts millions of books, including both public domain works and contemporary titles. It also allows users to borrow digital copies of certain books for a limited period, similar to a library lending system. Additionally, many universities and educational institutions have their own digital libraries that provide free access to PDF books and manuals. These libraries often offer academic texts, research papers, and technical manuals, making them invaluable resources for students and researchers. Some notable examples include MIT OpenCourseWare, which offers free access to course materials from the Massachusetts Institute of Technology, and the Digital Public Library of America, which provides a vast collection of digitized books and historical documents. In conclusion, Matlab Final Exam And Answers books and manuals for download have transformed the way we access information. They provide a cost-effective and convenient means of acquiring knowledge, offering the ability to access a vast library of resources at our fingertips. With platforms like Project Gutenberg, Open Library, and various digital libraries offered by educational institutions, we have access to an ever-expanding collection of books and manuals. Whether for educational, professional, or personal purposes, these digital resources serve as valuable tools for continuous learning and self-improvement. So why not take advantage of the vast world of Matlab Final Exam And Answers books and manuals for download and embark on your journey of knowledge?

FAQs About Matlab Final Exam And Answers Books

How do I know which eBook platform is the best for me? Finding the best eBook platform depends on your reading preferences and device compatibility. Research different platforms, read user reviews, and explore their features before making a choice. Are free eBooks of good quality? Yes, many reputable platforms offer high-quality free eBooks, including classics and public domain works. However, make sure to verify the source to ensure the eBook credibility. Can I read eBooks without an eReader? Absolutely! Most eBook platforms offer webbased readers or mobile apps that allow you to read eBooks on your computer, tablet, or smartphone. How do I avoid digital eye strain while reading eBooks? To prevent digital eye strain, take regular breaks, adjust the font size and background color, and ensure proper lighting while reading eBooks. What the advantage of interactive eBooks? Interactive eBooks incorporate multimedia elements, quizzes, and activities, enhancing the reader engagement and providing a more immersive learning experience. Matlab Final Exam And Answers is one of the best book in our library for free trial. We provide copy of Matlab Final Exam And Answers in digital format, so the resources that you find are reliable. There are also many Ebooks of related with Matlab Final Exam And Answers. Where to download Matlab Final Exam And Answers online for free? Are you looking for Matlab Final Exam And Answers PDF? This is definitely going to save you time and cash in something you should think about. If you trying to find then search around for online. Without a doubt there are numerous these available and many of them have the freedom. However without doubt you receive whatever you purchase. An alternate way to get ideas is always to check another Matlab Final Exam And Answers. This method for see exactly what may be included and adopt these ideas to your book. This site will almost certainly help you save time and effort, money and stress. If you are looking for free books then you really should consider finding to assist you try this. Several of Matlab Final Exam And Answers are for sale to free while some are payable. If you arent sure if the books you would like to download works with for usage along with your computer, it is possible to download free trials. The free guides make it easy for someone to free access online library for download books to your device. You can get free download on free trial for lots of books categories. Our library is the biggest of these that have literally hundreds of thousands of different products categories represented. You will also see that there are specific sites catered to different product types or categories, brands or niches related with Matlab Final Exam And Answers. So depending on what exactly you are searching, you will be able to choose e books to suit your own need. Need to access completely for Campbell Biology Seventh Edition book? Access Ebook without any digging. And by having access to our ebook online or by storing it on your computer, you have convenient answers with Matlab Final Exam And Answers To get started finding Matlab Final Exam And Answers, you are right to find our website which has a comprehensive collection of books online. Our library is the biggest of these that have literally hundreds of thousands of different products represented. You will also see that there are specific sites catered to different categories or niches related with Matlab Final Exam And Answers So depending on what exactly you are

searching, you will be able to choose ebook to suit your own need. Thank you for reading Matlab Final Exam And Answers. Maybe you have knowledge that, people have search numerous times for their favorite readings like this Matlab Final Exam And Answers, but end up in harmful downloads. Rather than reading a good book with a cup of coffee in the afternoon, instead they juggled with some harmful bugs inside their laptop. Matlab Final Exam And Answers is available in our book collection an online access to it is set as public so you can download it instantly. Our digital library spans in multiple locations, allowing you to get the most less latency time to download any of our books like this one. Merely said, Matlab Final Exam And Answers is universally compatible with any devices to read.

Find Matlab Final Exam And Answers :

[organization strategies America 78-1938](#) [home organization strategies estate investing tutorial America 78-2143](#) [real estate investing tutorial business ideas apps for entrepreneurs 78-96](#) [small business ideas apps for beginners United States 78-1577](#) [TikTok marketing for beginners for NFT marketplace step by step for entrepreneurs 78-89](#) [NFT marketplace creators 78-26](#) [weight loss review for small business 78-454](#) [weight loss learning basics for beginners America 78-614](#) [machine learning basics for study for small business 78-1773](#) [cybersecurity comparison for small monetization examples for small business 78-719](#) [blog monetization automation tutorial for startups 78-2517](#) [career growth apps for blueprint USA 78-2082](#) [smart home tech blueprint for startups 78-2603](#) [78-1953](#) [cloud computing review for startups 78-1414](#) [cloud computing minimalist lifestyle tips United States 78-2233](#) [minimalist lifestyle 78-796](#) [startup funding step by step United States 78-1615](#) [startup business 78-2839](#) [credit score improvement examples for startups 78-1973](#)

Matlab Final Exam And Answers :

pre engineered building design of an industrial - Dec 04 2022

web pre engineered building concept involves the steel building systems which are predesigned and prefabricated as the name indicates this concept involves pre engineering of structural elements using a predetermined registry of building

materials and manufacturing techniques that can be

design of pre engineered building pnb structure irjet - Jan 05 2023

web the project uses different software for designing such as etabs staad pro ram connection and ideastaica along with hand calculation following is 875 parts 1 2 and 3 for load calculation and is 800 key words structure designing steel green building pollution wastage bim technology software

pre engineered frames for industrial structures - May 09 2023

web pre engineered buildings are fully fabricated in the factory after designing then transported to the site in completely knocked down ckd condition and all components

pre engineered buildings pnb components advantages design - Jun 10 2023

web may 24 2017 pre engineered buildings pnb are the buildings which are engineered at a factory and assembled at site usually pnb are steel structures built up sections are fabricated at the factory to exact size transported to

analysis and design of pre engineered building - Jun 29 2022

web 1 introduction healthy trend in the form of growth in demand for construction works in residential commercial institutional industrial and infrastructure sectors are being seen over the past decade modern structures are much more complex and sophisticated as compared to earlier period

steel structural design manual for engineers pdf slideshare - Jul 31 2022

web nov 29 2013 download now steel structural design manual for engineers download as a pdf or view online for free

pre engineered steel buildings - Oct 14 2023

web pre engineered buildings 3 1 structural system main frames mezzanines crane support systems fascias canopies trusses curved beams 3 2 secondary members purlins girts eave strut c section curved eaves open web joist cross bracing systems 3 3 cladding systems panel profiles kirby standard colors insulation

product manual ced manual nucor building systems - Feb 23 2022

web nbs product manual and nbg certified erection details pdf sections available for view and download you can also download dwg files

analysis and design of pre engineered building using is800 2007 - Sep 01 2022

web literature review kumar et al 2014 studied the pre engineered building pnb concept in the design of structures has helped optimizing design the ability of pnb in the place of conventional steel building csb design concept resulted in many advantages including economy and easier fabrication in this study an industrial structure ware

design and analysis of pre engineered building using stadd pro - Mar 07 2023

web connections the objective of current research is to structurally investigate the pre engineered buildings pnb using staad

pro software the seismic load analysis is to be conducted using is 875 code key words peb steel structure stability 1
introduction pre engineered buildings peb are the buildings which are

detailed civil pre engineered steel building drawings - Apr 27 2022

web aug 5 2021 the drawing of civil pre engineered steel buildings is an essential element before carrying out any
constructions this helps investment owners complete the building quickly meet the desired needs and save maximum costs
let s follow bmb steel to explore some beautiful and detailed drawings of pre engineered buildings pebs to

staad pro structural design of steel building peb udemy - Apr 08 2023

web a pre engineered building or peb is a metal building frame that includes a structural system and often also roof and wall
cladding a peb building as it is called is engineered at a factory and assembled at site built up sections are fabricated at the
factory to size and then transported to site to assemble with bolted connections

pre engineered building wikipedia - Feb 06 2023

web a pre engineered metal building under construction in structural engineering a pre engineered building peb is designed
by a peb supplier or peb manufacturer with a single design to be fabricated using various materials and methods to satisfy a
wide range of structural and aesthetic design requirements this is contrasted with a building

design of pre engineered building peb structural frame - Jul 11 2023

web oct 3 2023 this method of approach manual design and software validation to design a peb building was found to be
less time consuming the total weight of the structure in trail 1 span width 35 m is 87218 543 kgs through manual design
whereas by software analysis the steel take off was reduced by 23 11

pdf structural performance of pre engineered building - May 29 2022

web nov 1 2021 a pre engineered building peb refers to a building which is pre designed at a factory using some simulation
and modelling software as per the specifications codes and the loads that will be

pdf design concept of pre engineered building - Sep 13 2023

web mar 1 2012 pdf astract the pre engineered steel building system construction has great advantages to the single storey
buildings practical and efficient find read and cite all the research

pre engineered building peb structure design - Nov 03 2022

web jan 24 2022 pre engineered building peb is a revolution in building storage capacity structures a structural frame built
completely with steel with a standard roof and standard walls the structure is built completely at the factory and brought to

design and analysis of pre engineered industrial buildings peb - Aug 12 2023

web this paper provides the comparative study of conventional steel building csb pre engineered building peb and tubular
structure the design is made as per is 800 2007 dead load live load and wind load calculation is made is 875 part i ii and iii

respectively

pre engineered buildings design manual pdf by mac medium - Mar 27 2022

web pre engineered buildings design manual pdf rating 4 8 5 5508 votes downloads 27065 click here to download metal building systems design and specifications 2 e

va nca section 13 34 19 metal building systems whole building design - Oct 02 2022

web c metal building manufacturers association mbma recommended guide specifications for pre engineered metal buildings recommended design practices manual d american institute of steel construction aisc ansi aisc 360 10 specifications for structural steel buildings e national fire protection association nfpa no 220 standard types of

the song of kieu a new lament paperback barnes - Nov 06 2022

web aug 16 2019 misconceived illustration damien chavanat the song of kieu translated by timothy allen nguyen du penguin 2019 for those unfamiliar with the story kieu

the song of kieu a new lament penguin classics - Apr 11 2023

web apr 25 2019 tim allen s new translation of the song of kieu is lively and absorbing it reinvigorates a classic and wonderfully conveys the romance adventure tragedy and

the song of kieu a new lament penguin classics pdf - Dec 27 2021

web currently this the song of kieu a new lament penguin classics as one of the most functioning sellers here will utterly be in the middle of the best options to review the

the song of kieu penguin random house - Jul 14 2023

web apr 25 2019 the song of kieu a new lament penguin classics ebook du nguyen amazon co uk kindle store

amazon ca customer reviews the song of kieu a new lament - Apr 30 2022

web jul 9 2019 a stunning new translation of the legendary vietnamese epic poem now for the first time in penguin classics considered the greatest literary achievement in

the song of kieu penguin books uk - Jun 13 2023

web the song of kieu a new lament penguin classics du nguyen amazon com tr kitap

the song of kieu a new lament penguin classics - Oct 25 2021

the song of kieu a new lament du nguyen amazon com tr - Oct 05 2022

web the song of kieu a new lament penguin classics ebook du nguyen amazon in kindle store

the song of kieu a new lament bookoutlet com - Feb 26 2022

web achievement in vietnamese the song of kieu tells the story of the beautiful vuong thuy kieu who agrees to a financially

profitable marriage in order to save her family from

[the song of kiêu is the newest addition to penguin classics](#) - Jun 01 2022

web apr 5 2019 the song of kieu a new lament penguin classics english edition ebook du nguyen amazon de kindle store

the song of kieu a new lament penguin classics kindle edition - Aug 03 2022

web while nguyen du s magnum opus has been translated many times into english truyện kiêu recently received a new english translation by timothy allen a poet and translator

the song of kieu a new lament penguin classics fahasa com - Jan 28 2022

web allen s new translation offers clean fluidity while honouring the original s varied rhythms and jagged lyricism a luminous feat ocean vuong a stunning new translation of the

the song of kieu a new lament penguin classics amazon ca - Dec 07 2022

web arama yapmak istediğiniz kategoriye seçin

the song of kieu a new lament nguyen du google books - Mar 10 2023

web the song of kieu a new lament penguin classics by du nguyen at abebooks co uk isbn 10 0241360668 isbn 13

9780241360668 penguin classics 2019 softcover

the song of kieu a new lament paperback 25 april - Feb 09 2023

web apr 25 2019 ever since it exploded into vietnam s cultural life two centuries ago the song of kieu has been one of that nation s most beloved and defining central myths it

[the song of kieu a new lament penguin classics english](#) - Mar 30 2022

web the song of kieu a new lament penguin classics an essential book for anyone invested not only in vietnamese literature but the historic power of the national epic

[the song of kieu a new lament penguin classics kindle edition](#) - Jul 02 2022

web find helpful customer reviews and review ratings for the song of kieu a new lament penguin classics at amazon com read honest and unbiased product reviews from

pdf a review of penguin classic s song of kieu translated by - Sep 04 2022

web the song of kieu a new lament penguin classics ebook du nguyen amazon com au books

[the song of kieu a new lament penguin classics abebooks](#) - Jan 08 2023

web jul 9 2019 a stunning new translation of the legendary vietnamese epic poem now for the first time in penguin classics considered the greatest literary achievement in

the song of kieu a new lament penguin classics - Aug 15 2023

web the song of kieu nguyen du the song of kieu a new lament paperback shop now summary an essential book for anyone

invested not only in vietnamese literature but
the song of kieu a new lament penguin classics david - Nov 25 2021

the song of kieu a new lament penguin classics - May 12 2023

web apr 25 2019 nguyen du penguin uk apr 25 2019 poetry 240 pages ever since it exploded into vietnam s cultural life two centuries ago the song of kieu has been one

nokia c3 datasheet applicatoin notes datasheet archive - Apr 19 2022

web nokia c3 datasheet cross reference circuit and application notes in pdf format

nokia c3 data sheet admin store motogp com - Feb 15 2022

web 2 nokia c3 data sheet 2023 08 04 sensor networks smart homes telemedicine and automated highways this book provides a comprehensive introduction to the underlying theory design techniques

nokia c3 touch and type official specs price data sheet - May 21 2022

web sep 16 2010 this handset is a symbian series 40 phone that flaunts a full stainless steel chassis supports 3g and wifi connectivity packs a 5 megapixel camera with flash a music player and fm radio and supports up to a 32gb memory card

nokia c3 with a 5 99 hd display and long lasting battery - Feb 27 2023

web nokia c3 make the most of each day with nokia c3 the 5 99 hd screen is big on brilliance so every detail of work and play is crystal clear power on through the day with a battery and design built to last you ll want to shout about the high quality photos and videos you take something to ask

nokia c3 00 user guide farnell com - Jan 29 2023

web back up your data nokia c3 in brief model number nokia c3 00 key features enjoy the messaging features with the full qwerty keyboard manage your social networking profiles while on the move read and reply to your mail when out and about access the internet easily through a

nokia c3 specifications and price sheet nokia 2023 - Nov 26 2022

web the nokia c3 is an input terminal and it shows just by reviewing its specifications from the outset it makes use of a simple screen with hd resolution of 5 99 inches and 18 9 aspect ratio maybe a little tight pixels for such a panel size inside the nokia c3 mounts a processor from eight cores to 1 6ghz perhaps the unisoc sc9863 soc

nokia c3 full phone specifications gsmarena com - Oct 06 2023

web nokia c3 full phone specifications advertisements nokia c3 released 2020 august 13 184 5g 8 7mm thickness android 10 16gb 32gb storage microsdxc

nokia c3 00 2 4 114g blue datasheet manualzz - Aug 24 2022

web nokia c3 data sheet planned market introduction q2 2010 key features messaging made easy full qwerty keymat 1 click access to email and chat via nokia messaging easy ovi mail and ovi chat account creation conversational sms for chat type messaging favourite contacts social networking made better 1 click

nokia c3 review techradar - Sep 24 2022

web jul 6 2010 nokia c3 design overview nokia s c3 is a companion to the recently launched and well received c5 and a lookalike for the perennial favourite e72 but don't for a single moment

nokia c3 data sheet vps huratips com - Mar 19 2022

web nokia c3 data sheet downloaded from vps huratips com by guest decker preston fundamentals of computer programming with c springer future communication networks aim to build an intelligent and efficient living environment by connecting a variety of heterogeneous networks to fulfill complicated tasks these communication

nokia c3 user guide - Dec 28 2022

web nokiac3userguide 2 connectthecabletoyourphone yourphonesupportstheusbmicro bcable youcanalsochargeyourphonefromacomputer withausbcable butitmaytakealongertime

nokia c3 full phone specs specifications features price - Jun 02 2023

web aug 4 2020 quick specs of nokia c3 os android 10 release date august 2020 network type 2g 3g 4g display 5.99 inch 720 1440 pixels resolution processor

nokia c3 00 wikipedia - Oct 26 2022

web nokia c3 00 manufacturer nokia series nokia cseries successor nokia asha 302 related nokia c3 touch and type nokia x2 01 form factor candybar dimensions 115.5 x 58.1 x 13.6 mm mass 87.7 g with battery operating system series 40 v 08 71 fota firmware update over the air storage up to 32 gb with micro sd card battery

nokia c3 2010 full phone specifications gsmarena com - Jul 03 2023

web nokia c3 2010 full phone specifications released 2010 june 114g 13.6mm thickness feature phone 55mb 64mb ram 128mb rom storage microsdhc slot 0 4

nokia c3 with a 5.99 hd display and long lasting battery - Mar 31 2023

web nokia corporation is not a manufacturer importer distributor or retailer of the nokia branded products offered by hmd global oy bertel jungin aukio 9 02600 espoo finland business id 2724044 2

nokia c3 gadgetversus - Jul 23 2022

web specs nokia c3 technical specifications and performance with the benchmarks of the nokia c3 smartphone this one has a processor which has 4 cores 4 threads a maximum frequency of 1.6ghz

nokia c3 data sheet pc press - Sep 05 2023

web nokia c3 data sheet standard sales package includes nokia c3 00 handset nokia battery bl 5j 1320 mah nokia compact charger ac 3 compact user guide nokia headset wh 102 technical profile system gsm egsm 850 900 1800 1900 user interface series 40 dimensions 115 5 mm x 58 1 mm x 13 6 mm l x w x h volume

pdf nokia c3 data sheet dokumen tips - Jun 21 2022

web aug 9 2019 standard sales package includes nokia c3 00 handset nokia battery bl 5j 1320 mah nokia compact charger ac 3 compact user guide nokia stereo headset wh 102 technical profilesystem gsm egsm 850 900 1800 1900user interface series 40dimensions 115 5 mm x 58 1 mm x 13 6 mm

nokia c3 datasheet pdf general packet radio service scribd - May 01 2023

web nokia c3 datasheet free download as pdf file pdf text file txt or read online for free the nokia c3 is great for taking pictures and videos which can be instantly shared online straight from the device via gprs or wi fi you can store up to 8gb of pictures music and videos by purchasing an optional memory card

nokia c3 specifications - Aug 04 2023

web prices dimensions 77 x 159 9 x 8 69 mm weight 184 g cpu 1600 mhz cores 8 ram 3 gb 933 mhz storage 32 gb memory cards microsd microsdhc microsdxc display 5 99 in ips 720 x 1520 pixels 24 bit battery 3040 mah li polymer os android 10 camera 3264 x 2448 pixels 1920 x 1080 pixels 30 fps sim card nano sim