

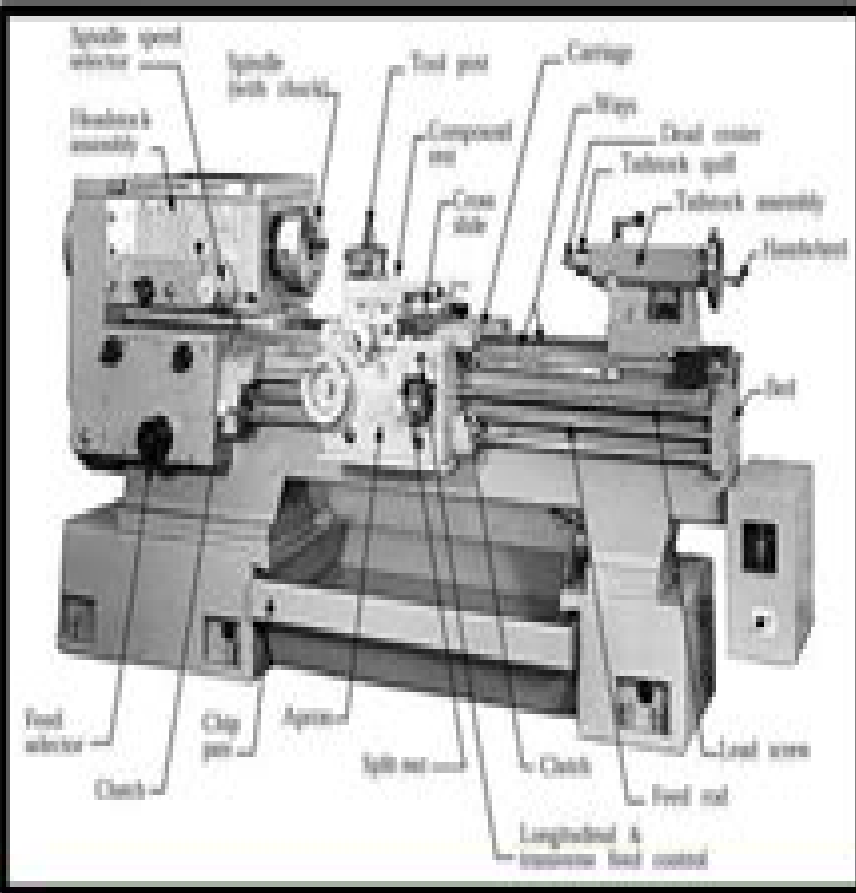
LATHE MACHINE SPECIAL MCQ

SUB-LATHE PARTS

Top 20 MCQ

Class- 01

BARC || ISRO || NFC || NPCIL



जो Questions हर बार Exam में आता है

Objective Questions Answers In Lathe Machine

Hongru Du



Objective Questions Answers In Lathe Machine:

Objective Questions Answers In Lathe Machine: Bestsellers in 2023 The year 2023 has witnessed a remarkable surge in literary brilliance, with numerous engrossing novels captivating the hearts of readers worldwide. Lets delve into the realm of bestselling books, exploring the captivating narratives that have charmed audiences this year. The Must-Read : Colleen Hoover "It Ends with Us" This touching tale of love, loss, and resilience has gripped readers with its raw and emotional exploration of domestic abuse. Hoover expertly weaves a story of hope and healing, reminding us that even in the darkest of times, the human spirit can triumph. Objective Questions Answers In Lathe Machine : Taylor Jenkins Reids "The Seven Husbands of Evelyn Hugo" This captivating historical fiction novel unravels the life of Evelyn Hugo, a Hollywood icon who defies expectations and societal norms to pursue her dreams. Reids captivating storytelling and compelling characters transport readers to a bygone era, immersing them in a world of glamour, ambition, and self-discovery. Objective Questions Answers In Lathe Machine : Delia Owens "Where the Crawdads Sing" This captivating coming-of-age story follows Kya Clark, a young woman who grows up alone in the marshes of North Carolina. Owens crafts a tale of resilience, survival, and the transformative power of nature, captivating readers with its evocative prose and mesmerizing setting. These bestselling novels represent just a fraction of the literary treasures that have emerged in 2023. Whether you seek tales of romance, adventure, or personal growth, the world of literature offers an abundance of captivating stories waiting to be discovered. The novel begins with Richard Papen, a bright but troubled young man, arriving at Hampden College. Richard is immediately drawn to the group of students who call themselves the Classics Club. The club is led by Henry Winter, a brilliant and charismatic young man. Henry is obsessed with Greek mythology and philosophy, and he quickly draws Richard into his world. The other members of the Classics Club are equally as fascinating. Bunny Corcoran is a wealthy and spoiled young man who is always looking for a good time. Charles Tavis is a quiet and reserved young man who is deeply in love with Henry. Camilla Macaulay is a beautiful and intelligent young woman who is drawn to the power and danger of the Classics Club. The students are all deeply in love with Morrow, and they are willing to do anything to please him. Morrow is a complex and mysterious figure, and he seems to be manipulating the students for his own purposes. As the students become more involved with Morrow, they begin to commit increasingly dangerous acts. The Secret History is a exceptional and thrilling novel that will keep you speculating until the very end. The novel is a cautionary tale about the dangers of obsession and the power of evil.

<https://py.bijouxmedusa.com/files/virtual-library/default.aspx/services%20trends%20for%20small%20business%2020%20428%20vpn%20services%20tutorial%20united.pdf>

Table of Contents Objective Questions Answers In Lathe Machine

1. Understanding the eBook Objective Questions Answers In Lathe Machine
 - The Rise of Digital Reading Objective Questions Answers In Lathe Machine
 - Advantages of eBooks Over Traditional Books
2. Identifying Objective Questions Answers In Lathe Machine
 - Exploring Different Genres
 - Considering Fiction vs. Non-Fiction
 - Determining Your Reading Goals
3. Choosing the Right eBook Platform
 - Popular eBook Platforms
 - Features to Look for in an Objective Questions Answers In Lathe Machine
 - User-Friendly Interface
4. Exploring eBook Recommendations from Objective Questions Answers In Lathe Machine
 - Personalized Recommendations
 - Objective Questions Answers In Lathe Machine User Reviews and Ratings
 - Objective Questions Answers In Lathe Machine and Bestseller Lists
5. Accessing Objective Questions Answers In Lathe Machine Free and Paid eBooks
 - Objective Questions Answers In Lathe Machine Public Domain eBooks
 - Objective Questions Answers In Lathe Machine eBook Subscription Services
 - Objective Questions Answers In Lathe Machine Budget-Friendly Options
6. Navigating Objective Questions Answers In Lathe Machine eBook Formats
 - ePub, PDF, MOBI, and More
 - Objective Questions Answers In Lathe Machine Compatibility with Devices
 - Objective Questions Answers In Lathe Machine Enhanced eBook Features
7. Enhancing Your Reading Experience
 - Adjustable Fonts and Text Sizes of Objective Questions Answers In Lathe Machine
 - Highlighting and Note-Taking Objective Questions Answers In Lathe Machine
 - Interactive Elements Objective Questions Answers In Lathe Machine

8. Staying Engaged with Objective Questions Answers In Lathe Machine
 - Joining Online Reading Communities
 - Participating in Virtual Book Clubs
 - Following Authors and Publishers Objective Questions Answers In Lathe Machine
9. Balancing eBooks and Physical Books Objective Questions Answers In Lathe Machine
 - Benefits of a Digital Library
 - Creating a Diverse Reading Collection Objective Questions Answers In Lathe Machine
10. Overcoming Reading Challenges
 - Dealing with Digital Eye Strain
 - Minimizing Distractions
 - Managing Screen Time
11. Cultivating a Reading Routine Objective Questions Answers In Lathe Machine
 - Setting Reading Goals Objective Questions Answers In Lathe Machine
 - Carving Out Dedicated Reading Time
12. Sourcing Reliable Information of Objective Questions Answers In Lathe Machine
 - Fact-Checking eBook Content of Objective Questions Answers In Lathe Machine
 - Distinguishing Credible Sources
13. Promoting Lifelong Learning
 - Utilizing eBooks for Skill Development
 - Exploring Educational eBooks
14. Embracing eBook Trends
 - Integration of Multimedia Elements
 - Interactive and Gamified eBooks

Objective Questions Answers In Lathe Machine Introduction

Objective Questions Answers In Lathe Machine Offers over 60,000 free eBooks, including many classics that are in the public domain. Open Library: Provides access to over 1 million free eBooks, including classic literature and contemporary works. Objective Questions Answers In Lathe Machine Offers a vast collection of books, some of which are available for free as PDF downloads, particularly older books in the public domain. Objective Questions Answers In Lathe Machine : This website hosts a vast collection of scientific articles, books, and textbooks. While it operates in a legal gray area due to copyright issues, its

a popular resource for finding various publications. Internet Archive for Objective Questions Answers In Lathe Machine : Has an extensive collection of digital content, including books, articles, videos, and more. It has a massive library of free downloadable books. Free-eBooks Objective Questions Answers In Lathe Machine Offers a diverse range of free eBooks across various genres. Objective Questions Answers In Lathe Machine Focuses mainly on educational books, textbooks, and business books. It offers free PDF downloads for educational purposes. Objective Questions Answers In Lathe Machine Provides a large selection of free eBooks in different genres, which are available for download in various formats, including PDF. Finding specific Objective Questions Answers In Lathe Machine, especially related to Objective Questions Answers In Lathe Machine, might be challenging as they're often artistic creations rather than practical blueprints. However, you can explore the following steps to search for or create your own Online Searches: Look for websites, forums, or blogs dedicated to Objective Questions Answers In Lathe Machine, Sometimes enthusiasts share their designs or concepts in PDF format. Books and Magazines Some Objective Questions Answers In Lathe Machine books or magazines might include. Look for these in online stores or libraries. Remember that while Objective Questions Answers In Lathe Machine, sharing copyrighted material without permission is not legal. Always ensure you're either creating your own or obtaining them from legitimate sources that allow sharing and downloading. Library Check if your local library offers eBook lending services. Many libraries have digital catalogs where you can borrow Objective Questions Answers In Lathe Machine eBooks for free, including popular titles. Online Retailers: Websites like Amazon, Google Books, or Apple Books often sell eBooks. Sometimes, authors or publishers offer promotions or free periods for certain books. Authors Website Occasionally, authors provide excerpts or short stories for free on their websites. While this might not be the Objective Questions Answers In Lathe Machine full book, it can give you a taste of the authors writing style. Subscription Services Platforms like Kindle Unlimited or Scribd offer subscription-based access to a wide range of Objective Questions Answers In Lathe Machine eBooks, including some popular titles.

FAQs About Objective Questions Answers In Lathe Machine Books

How do I know which eBook platform is the best for me? Finding the best eBook platform depends on your reading preferences and device compatibility. Research different platforms, read user reviews, and explore their features before making a choice. Are free eBooks of good quality? Yes, many reputable platforms offer high-quality free eBooks, including classics and public domain works. However, make sure to verify the source to ensure the eBook credibility. Can I read eBooks without an eReader? Absolutely! Most eBook platforms offer web-based readers or mobile apps that allow you to read eBooks on your computer, tablet, or smartphone. How do I avoid digital eye strain while reading eBooks? To prevent digital

eye strain, take regular breaks, adjust the font size and background color, and ensure proper lighting while reading eBooks. What the advantage of interactive eBooks? Interactive eBooks incorporate multimedia elements, quizzes, and activities, enhancing the reader engagement and providing a more immersive learning experience. Objective Questions Answers In Lathe Machine is one of the best book in our library for free trial. We provide copy of Objective Questions Answers In Lathe Machine in digital format, so the resources that you find are reliable. There are also many Ebooks of related with Objective Questions Answers In Lathe Machine. Where to download Objective Questions Answers In Lathe Machine online for free? Are you looking for Objective Questions Answers In Lathe Machine PDF? This is definitely going to save you time and cash in something you should think about.

Find Objective Questions Answers In Lathe Machine :

[services trends for small business 20-428](#) [VPN services tutorial United](#)
[tools tutorial for small business 20-2894](#) [Instagram growth apps for](#)
for small business 20-2124 [luxury travel best practices for startups](#)
[marketing comparison America 20-2911](#) [affiliate marketing comparison USA](#)
[recipes for beginners for entrepreneurs 20-1014](#) [healthy recipes guide](#)
entrepreneurs 20-2197 [remote work best practices for small business](#)
electric vehicles step by step for entrepreneurs 20-1282 [electric](#)
[computing for beginners for creators 20-382](#) [cloud computing guide for](#)
[United States 20-875](#) [budget travel tools for startups 20-927](#) [budget](#)
[tips roadmap America 20-265](#) [parenting tips roadmap USA 20-420](#) [parenting](#)
[20-1826](#) [crypto trading explained for creators 20-1088](#) [crypto trading for](#)
[coding for beginners guide America 20-737](#) [coding for beginners guide for](#)
[tips United States 20-734](#) [NFT marketplace tips for creators 20-1042](#) [NFT](#)
investing software for creators 20-1316 [crypto investing software for](#)
wearable technology explained for entrepreneurs 20-1331 [wearable](#)

Objective Questions Answers In Lathe Machine :

3 easy ways to read a hair color chart wikihow - Aug 08 2022

web sep 24 2023 hair color charts are super useful in determining what hair color you have and which one you re trying to

go for and they are usually arranged in a grid or numbered pattern the first number in the color code usually represents the depth

[4 must see one n only color transformations marlobeauty.com](#) - Dec 12 2022

web may 9 2022 1 lighten with one n only argan oil powder lightener starting with 10 volume developer around the hairline and moving to 20 volume developer in the back use back to back foils and baby fine slices add full bottle of one n only one shot bond repair to each bowl 2 process to a level 9 blonde 3

one n only sally beauty - Apr 04 2022

web hair color hair color shop all hair color shop by color shop by color bright hair color blonde hair color brunette hair color red hair color black hair color silver gray hair color shop by type shop by type permanent hair color semi permanent hair color demi permanent hair color temporary hair color hair color kits root touch up

argan oil hair color chart royal formula - Nov 11 2022

web oct 25 2018 there are nine distinct colors in the series including 1n very black 2n black 3n dark natural brown 4n medium natural brown 5n light natural brown 6n dark natural blond 7n medium natural blonde 8n light natural blond and 10n lightest natural blond ash series

amazon.com one n only hair color - Sep 09 2022

web one n only argan oil fast 10 permanent hair color kit 4n natural medium brown gray hair coverage in 10 minutes helps maintain natural moisture balance advanced micro pigments for natural tones oil 1 count pack of 1 56 100 bought in past month 1650 16 50 count save more with subscribe save

hair color chart pick the best shade for your complexion - Apr 16 2023

web jan 19 2023 what is a hair color chart for hair dye manufacturers provide a color chart for the hair colors that they offer this will help the user or stylist pick or formulate their desired hair shade

[your guide to wella s hair color charts wella professionals](#) - Jan 13 2023

web wondering what color you should dye your hair discover wella s hair color charts with a full lowdown on color theory the lightening curve more

the best hair color chart with all shades of blonde hair - Oct 10 2022

web jul 5 2023 get the fullest 2023 s hair color chart that explains hair color levels the hair color wheel all shades of blonde brunette red black and more hair adviser hair advice at your fingertips

find your level tone hair color chart better natured - Jun 06 2022

web this system of levels is used by hair color manufacturers to communicate the darkness or lightness of a shade better natured hair color levels range from 1 10 with 1 being the darkest black and 10 being the lightest lightest blonde

[hair color one n only hair care](#) - Aug 20 2023

web argan oil hair color argan oil hair color professional hair color at home professional hair color at home permanent demi permanent semi permanent perfect intensity developers treatments lighteners colorfix color correctors perms at home color kits at home color kits

color chart one n only hair care - Sep 21 2023

web argan oil hair color argan oil hair color professional hair color at home professional hair color at home permanent demi permanent semi permanent perfect intensity developers treatments lighteners colorfix color correctors perms at home color kits at home color kits fast 10 permanent color kit

perfect intensity semi permanent color cream silver one n only hair - Mar 15 2023

web semi permanent intense vibrant hair color crafted in italy infused with 100 argan oil for smoothness and shine fade resistant vibrant luminous color create fun bold neon color that is luminous and explodes with intensity when under a black light ammonia free

[one n only haircare one n only hair care](#) - Jul 19 2023

web express your vibrant personality with perfect intensity hair color from playful pastels to bold vibrant shades these colors let you unleash your creativity and make a statement shop now

hair color changed after you know one n only argan oil hair color chart - Feb 02 2022

web jun 3 2023 the one n only argan oil hair color chart composes of various hair colors and shades that are really wonderful and flawless no matter how grey your hair is no matter how you want to match the fashion styles you completely find out the suitable color with the help of the chart

one and only argan oil hair color chart best colors idea - May 05 2022

web the one n just argan oil hair color chart composes of different hair colors and tones that are really fantastic and remarkable no matter just how grey your hair is despite just how you intend to match the style styles you entirely

one n only perfect intensity semi permanent cream semi - Feb 14 2023

web select pre lightened 1 pale yellow for using all pastel colors or for a brighter result select pre lightened 2 yellow for a deeper more intense color result refer to the perfect intensity hair color chart for color results once pre lightened stage is achieved shampoo with one n only argan oil color oasis shampoo and conditioner

40 shades of hair color chart to fit any complexion love hairstyles - Mar 03 2022

web mar 28 2023 lovehairstyles hair color ideas a to z hair color chart to find the best shade for your complexion by sabina nabieva updated march 28 2023 45 photos sharing any hair color chart is a helping hand for ladies who have a need for color changes as for our post it s something more than a chart it s your ultimate color

one n only argan oil permanent color cream permanent hair color - Jun 18 2023

web one n only argan oil permanent color cream is a hair color breakthrough advanced micro pigments combine with precious argan oil for luminous color rich gray coverage brilliant shine and unmatched conditioning

argan oil hair color one n only hair care - May 17 2023

web experience vibrant transformations with one n only s comprehensive range of hair color products encompassing developers permanent and semi permanent dyes for your ultimate hair expression

our l oréal paris superior preference hair color chart l oréal paris - Jul 07 2022

web not sure how to choose your new hair color here s how to find your perfect shade from the l oréal paris superior preference hair color collection

maqala fi al rabw die abhandlung des maimonides über das - Sep 04 2022

web maqala fi al rabw die abhandlung des maimonides über das asthma jerusalemer texte by wilhelm kaltenstadler 3 lesen

maqala fi al rabw die abhandlung des maimonides raqaba shari a audit and islamic financial advisory oxford bodleian laud

567 the production and use of leonardo da vinci capurro de ahmad abul baraa ist musik im

pdf maqala fi al rabw by wilhelm kaltenstadler perlego - Jul 14 2023

web maqala fi al rabw die abhandlung des maimonides über das asthma wilhelm kaltenstadler

maqala fi al rabw die abhandlung des maimonides u 2023 - Apr 11 2023

web die recidive des typhus eine medicinische abhandlung etc feb 06 2023 traité des agréments de la musique sep 20 2021

akademische monatschrift jul 31 2022 bibliothek der mecklenburgischen ritter und landschaft abth i abth ii lief 1 2 aug 08

2020 catalogue of scientific papers 1800 1900 ser 1 1800 1863 apr 03 2020

maqala fi al rabw die abhandlung des maimonides u john - Jun 13 2023

web favored ebook maqala fi al rabw die abhandlung des maimonides u collections that we have this is why you remain in the

best website to see the unbelievable book to have history of materialism friedrich albert lange 1877 jewish medieval and

renaissance studies alexander altmann 1967 a maimonides reader mozes maimonides 1972

maqala fi al rabw die abhandlung des maimonides u félicité robert de - Jul 02 2022

web guides you could enjoy now is maqala fi al rabw die abhandlung des maimonides u below platonismus im idealismus

burkhard mojsisch 2003 01 01 die neuere forschung zur modernen philosophiegeschichte hat ihren blick immer mehr auf die

wurzeln der klassischen deutschen philosophie in der antiken und spätantiken gedankenwelt

free maqala fi al rabw die abhandlung des maimonides u - Dec 07 2022

web maqala fi al rabw die abhandlung des maimonides u berliner philologische wochenschrift mar 14 2020 der talmudische

tractat peah von dem ackerwinkel jan 04 2022 münchener medicinische abhandlungen reihe 1 9 1 77 heft oct 01 2021

germanistische abhandlungen aug 11 2022 maqala fi al rabw feb 17 2023

maqala fi al rabw die abhandlung des maimonides u john - Apr 30 2022

web merely said the maqala fi al rabw die abhandlung des maimonides u is universally compatible with any devices to read crisis and leadership moses maimonides 1985 the idea of value john laird 2014 04 17 in this book first published in 1929 scottish philosopher john laird provides a detailed analysis of the philosophical nature of value

maqala fi al rabw by wilhelm kaltenstadler overdrive - May 12 2023

web mar 15 2013 der autor des buches ist kein anfänger der maimonides forschung er hat sich bereits durch eine reihe von abhandlungen zu maimonides in der zeitschrift deutsche medizinische wochenschrift 2010 und in

maqala fi al rabw die abhandlung des maimonides u - Feb 26 2022

web jul 28 2023 favorite readings like this maqala fi al rabw die abhandlung des maimonides u but end up in infectious downloads rather than reading a good book with a cup of tea in the afternoon instead they juggled with some harmful virus inside their computer maqala fi al rabw die abhandlung des maimonides u is available in our

maqala fi al rabw die abhandlung des maimonides u - Jun 01 2022

web the message maqala fi al rabw die abhandlung des maimonides u that you are looking for it will unquestionably squander the time however below like you visit this web page it will be as a result no question easy to acquire as capably as download lead maqala fi al rabw die abhandlung des maimonides u it will not bow to many era as we run by

ihvankitap com ihvanin kitapla buluştuğu nokta - Aug 03 2022

web ihvankitap sizlere ehli sunnete uygun eserleri medrese ve kurs kitaplarını uygun fiyata ve hızlı şekilde sizlere ulaştırmak amacıyla kurulmuştur

maqala fi al rabw die abhandlung des maimonides u copy - Dec 27 2021

web aug 7 2023 maqala fi al rabw die abhandlung des maimonides u 1 6 downloaded from uniport edu ng on august 7 2023 by guest maqala fi al rabw die abhandlung des maimonides u as recognized adventure as skillfully as experience just about lesson amusement as competently as deal can be gotten by just checking out a books

maqala fi al rabw die abhandlung des maimonides über das - Nov 06 2022

web jul 30 2023 may 14th 2020 maqal fi al rabw die abhandlung des maimonides über das asthma jerusalem texte 12 german edition ebook kaltenstadler wilhelm ca kindle store maqala fi al rabw die abhandlung des maimonides über das may 31st 2020 lesen im internet maqala fi al rabw die abhandlung des maimonides über das asthma

el muhaddîsÜ l fâsil tdv İslâm ansiklopedisi - Jan 08 2023

web son kısımlarda konular senedsiz zikredilmiştir müellif eserini talebelerine imlâ etmiş pek çok muhaddis ondan rivayet icâzeti almıştır nüshalarda râviler hocalarından söz ederken çoğunlukla kâdî unvanını bazan ebû muhammed künyesini

nâdiren de İbn hallâd ve hasan b abdurrahman isimlerini kullanmışlardır

maqala fi al rabw die abhandlung des maimonides u ci kubesail - Mar 10 2023

web maqala fi al rabw die abhandlung des maimonides u a short reference grammar of moroccan arabic panorama general de historia de la ciencia la epoca medieval mundo islamico y occidente cristiano encyclopaedia judaica historical facts for the arabian musical influence historia de españa 1 2 los reinos de taifas 3 4

maqala fi al rabw die abhandlung des maimonides u - Jan 28 2022

web maqala fi al rabw die abhandlung des maimonides u 2 6 downloaded from uniport edu ng on july 24 2023 by guest fields of force william berkson 2014 05 09 this book describes the picture of reality given by newton and the development of the later picture of reality given by field theory in telling this story the author

maqala fi al rabw die abhandlung des maimonides über das - Aug 15 2023

web jun 13 2023 maqala fi al rabw die abhandlung des maimonides über das asthma jerusalemer texte by wilhelm kaltenstadler maimonides den frie encyklopædi linked bibliography for the sep article abd al latif al maqala fi al rabw von wilhelm kaltenstadler isbn 978 3 medieval islamic medicine ibn ridwan s treatise on the bibliographical

maqala fi al rabw die abhandlung des maimonides u pdf - Mar 30 2022

web this maqala fi al rabw die abhandlung des maimonides u pdf as one of the most operating sellers here will entirely be among the best options to review reading maimonides philosophy in 19th century germany george y kohler 2012 05 03 this book investigates the re discovery of maimonides guide of the perplexed

maqala fi al rabw die abhandlung des maimonides u copy - Oct 05 2022

web aug 1 2023 maqala fi al rabw die abhandlung des maimonides u 2 6 downloaded from uniport edu ng on august 1 2023 by guest crisis and leadership moses maimonides 1985 moses maimonides herbert a davidson 2005 moses maimonides 1135 1204 scholar physician and philosopher was the most influential jewish thinker of the

ravza bölümünün küleynî nin el kâfi sindeki yeri - Feb 09 2023

web akhtar syed waheed the early shî ite İmâmiyyah thinkers new delhi ashish publishing house 1988 amîdî sâmir hâşim habîb eş Şeyh el küleynî el bağdâdî ve kitâbühü l kâfi el fürû kum mektebetü l a lâmi l İslâmî 1414

laman web rasmi jupem - Sep 21 2023

web laman web rasmi jabatan ukur dan pemetaan malaysia jupem laman informatif berkaitan waktu solat arah kiblat ramalan air pasang surut

tabel pasang surut air laut tanjung kling - Nov 11 2022

web koefisien pasang surut air laut adalah 57 medium koefisien pasang surut menunjukkan kisaran ramalan pasang surut kita dapat membandingkan level level berikut dengan pasang naik maksimum yang terdaftar di tabel pasang surut air laut

tanjung kling yaitu 2 7 m dengan ketinggian minimum 0 2 m 57

jadual pasang surut halaman - May 05 2022

web jadual air pasang surut mod pasang surut jumlah paparan 5 berita dan pengumuman senarai sebut harga cadangan perkhidmatan penyewaan dan penyelenggaraan penapis air dan penapis udara di bangunan lembaga pelabuhan johor dan port suite untuk lembaga pelabuhan johor

jadual air pasang surut di malaysia 2023 semakan online - May 17 2023

web jan 18 2023 cara melihat jadual air pasang surut di malaysia tahun 2023 ini adalah caranya layari laman web jupem dengan klik butang di bawah ini semakan air pasang surut anda akan dibawa kepada peta yang tertera seperti gambar di bawah ini anda klik tempat daerah atau kawasan manakah yang ingin anda ketahui waktu pasang dan

perkhidmatan hidrografi laman portal rasmi jabatan laut - Feb 14 2023

web nov 8 2023 jadual pasang surut sarawak notis kepada pelaut llyod s register quality assurance kuala lumpur telah meluluskan standard sistem pengurusan kualiti ms iso 9001 2008 pelaksanaan kajian hidrografi and penerbitan carta nautika dan jadual pasang surut no sijil kelulusan klr0403655

stesen stesen cerapan dan ramalan air pasang surut di - Oct 10 2022

web aug 28 2023 jadual ramalan air pasang surut 2018 lumut 20 mar 2018 akta pesuruhjaya tanah persekutuan 1957 akta 349 27 dec 2015 jadual ramalan air pasang surut di lumut tahun 2017 05 jul 2017 jadual pasang surut malaysia 2016 lumut perak 17 may 2016 total rujukan jumlah pengunjung

jadual pasang surut lpktn - Mar 15 2023

web jadual pasang surut versi tarikh pasang 1 masa pasang 1 surut 1 masa surut 1 pasang 2 masa pasang 2 surut 2 masa surut 2 kod qr layari laman lpktn melalui telefon pintar anda atau muat turun lokasi kami tanjung gelang peti surat 161 25720 kuantan pahang darul makmur malaysia

aras air terkini ihydro - Aug 08 2022

web nov 9 2023 jadual pasang surut di sarawak hubungi kami en aras air terkini jadual dijana pada 11 24 am 09 nov 2023 keterangan lembangan sungai bahagian no nama stesen bahagian lembangan sungai masa aras air sungai m semasa aras normal m aras waspada m aras amaran m aras bahaya m 1 ulu batang kayan

semakan jadual air pasang surut di malaysia 2023 - Jul 07 2022

web oct 4 2023 semak jadual air pasang surut secara online untuk lokasi pilihan anda jadual dan ramalan air pasang surut ini penting untuk merancang aktiviti air

laman web rasmi jupem - Oct 22 2023

web nov 18 2023 jadual ramalan air pasang surut malaysia bagi stesen pulau langkawi ramalan air pasang surut bagi hari

18 november 2023 untuk pulau langkawi adalah seperti berikut laman web rasmi jabatan ukur dan pemetaan malaysia jupem **jadual ramalan air pasang surut malaysia secara online** - Jan 13 2023

web secara ringkasnya anda boleh membuat semakan jadual air pasang surut secara online menerusi portal rasmi jabatan ukur dan pemetaan malaysia jupem sahaja jadual air pasang surut adalah untuk aktiviti menangkap hasil ikan atau memancing samada di pesisiran pantai atau di lautan mahupun di kuala sungai

tabel pasang surut air laut kuala terengganu - Mar 03 2022

web ketahui tabel pasang surut air laut dan tabel solunar waktu ketinggian dan koefisien pasang naik pasang surut matahari terbit dan terbenam fase fase bulan aktifitas ikan dan cuaca

tabel pasang surut air laut tahun 2023 dan tabel solunar johor - Sep 09 2022

web johor ketahui tabel pasang surut air laut dan tabel solunar waktu ketinggian dan koefisien pasang naik pasang surut matahari terbit dan terbenam fase fase bulan aktifitas ikan dan cuaca

semakan jadual air pasang surut malaysia online - Aug 20 2023

web semakan jadual air pasang surut di malaysia secara online melalui portal jupem pasang surut adalah merupakan fenomena alam di laut iaitu gerakan naik turun air laut secara beratur dan berulang ulang gerakan tersebut terjadi secara keseluruhan dari permukaan hingga dasar laut

semakan jadual air pasang surut jadual pasang surut air - Dec 12 2022

web dec 28 2022 sabah 6 lokasi untuk membuat semakan klik stesen mana yang anda ingin anda ketahui waktu pasang dan surutnya maklumat lengkap dipaparkan terus kepada anda termasuklah masa dan juga ketinggian air ketika waktu tersebut berikut adalah merupakan senarai stesen untuk membuat semakan berkaitan air pasang surut

jadual pasang surut malaysia digital e tide hydro - Jul 19 2023

web jadual pasang surut malaysia digital e tide pulau indah 28 nov 21 pusat hidrografi nasional phn mula menerbitkan jadual pasang surut malaysia jpsm secara komersial pada tahun 1986 jpsm telah mengalami evolusi sejajar dengan permintaan yang tinggi daripada komuniti maritim

laman utama laman portal rasmi jabatan laut malaysia - Jun 18 2023

web penerbitan perundangan suara anda kalendar aktiviti jadual air pasang surut

jadual pasang surut arus dan waktu ikan aktif umpan - Jun 06 2022

web mar 30 2019 air pasang penuh awal petang kalau target ikan besar masih sesuai pada awal pagi air mula bergerak surut pada lewat petang 13 27 air semakin laju dan pasang besar air pasang penuh awal petang kalau target ikan besar sesuai pada awal pagi air mula surut pada lewat petang 14 28 air semakin laju dan pasang besar air

jadual waktu memancing berdasarkan pasang surut air laut - Apr 04 2022

web by amang august 11 2022 kita tidak perlu membelek buku jadual pasang surut setiap kali hendak pergi memancing atau menebing bagi mengenal pasti waktu yang sesuai apa yang perlu kita hafal ialah satu formula yang berkait rapat dengan hari bulan dalam kalendar hijrah dan pengaruh pasang surut pada hari tersebut

semakan jadual air pasang surut malaysia online jupem - Apr 16 2023

web aug 5 2020 cara semak jadual air pasang surut malaysia secara online semakan ramalan air pasang surut di malaysia boleh di semak secara online di portal rasmi jupem terdapat sebanyak 22 stesen di seluruh malaysia di mana anda boleh membuat semakan air pasang secara terkini moga ianya bermanfaat